



Installation Manual

Manual de instalación

Manuel d'Installation

30" Electric Built-In

Single and Double Wall Oven

**Horno eléctrico de pared empotrado
simple y doble de 30"**

**Four Mural Électrique Encastrable de
30po - Simple ou Double**

LWS3081ST

LWD3081ST

Please read these instructions thoroughly before installing and operating the oven.

Tenga a bien leer estas instrucciones por completo antes de instalar y operar el horno.

Veillez lire ces instructions avec soin avant installation et utilisation du four.

Printed in Korea
Impreso en Korea
Imprimé en Corée

P/NO.:MFL51224801

1 BEFORE YOU BEGIN

Remove all tape and packing materials before using the oven. Dispose all plastic bags after unpacking the oven. Never allow children to play with packing materials.

IMPORTANT SAFETY INSTRUCTIONS

Read and follow all instructions before using your oven to prevent the risk of fire, electric shock, injury to person, or damage when using the oven. This guide does not cover all possible conditions that may occur. For further assistance contact your service agent or manufacturer.



This is the safety alert symbol. This symbol alerts you to potential hazards that can kill or hurt you and others. All safety messages will follow the safety alert symbol and either the word "WARNING" or "CAUTION". These words mean :

**WARNING**

This symbol will alert you to hazards or unsafe practices which could cause serious bodily harm or death.

**CAUTION**

This symbol will alert you to hazards or unsafe practices which could cause bodily injury or property damage.

**WARNING**

- **The information in this manual should be followed exactly.**
- A fire or electrical shock may result causing property damage, personal injury or death.
- **DO NOT put any weight on the oven door. Never allow anyone to climb, sit, stand or hang on the oven door.**
- The oven could be tipped and injury might result from food or the oven itself.
- **The electrical power must be shut off while the electrical connections are being made.**
- Failure to do so can result in severe personal injury, death or electrical shock.
- **New branch-circuit installations (1996 NEC), mobile homes, recreational vehicles, or installations where local codes prohibit grounding through the neutral conductor require 4-wire branch-circuit connection.**
- **Improper connection of aluminum house wiring to copper leads can result in an electrical hazard or fire. Use only connectors designed for joining copper to aluminum and follow the manufacturer's recommended procedure closely.**
- **Mounting screws must be used.**
- Failure to do so can result in the oven falling out of the cabinet causing serious injury.

**CAUTION**

- **Make sure the cabinets and wall coverings around the oven can withstand the temperature (up to 194°F[90°C]) generated by the oven.**
- Discoloration, delamination or melting may occur.
- **DO NOT remove spacers on the side walls of the built-in oven.**
- These spacers center the oven in the space provided. The oven must be centered to prevent excess heat buildup that may result in heat damage or fire.
- **DO NOT block the oven air exhaust located at the bottom of the oven.**
- Blocking the exhaust may cause cabinet damage and product malfunction.

IMPORTANT NOTE

This installation must be completed by a qualified installer or technician.

- Please read the entire Installation Instructions prior to installation.
- Remove all packing materials from the oven compartments before connecting the electrical supply to the oven.
- Installer: please retain these instructions for local inspector’s reference, then leave them with the consumer.
- Consumer: please read and keep these instructions for future reference and be sure to read the entire OWNER’S MANUAL prior to use.

⚠ WARNING

• **The information in this manual should be followed exactly.**

- A fire or electrical shock may result causing property damage, personal injury or death.

IMPORTANT NOTE

Proper installation is the responsibility of the installer and product failure due to improper installation is NOT covered under warranty.

⚠ WARNING

• **DO NOT put any weight on the oven door. Never allow anyone to climb, sit, stand or hang on the oven door.**

- The oven could tip and injury might result from food or the oven itself.

⚠ WARNING

• **The electrical power must be shut off while the electrical connections are being made.**

- Failure to do so can result in severe personal injury, death or electrical shock.

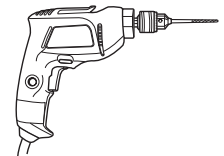
IMPORTANT NOTE

Observe all governing codes and ordinances. This appliance must be properly grounded.

PREPARE TO INSTALL THE OVEN

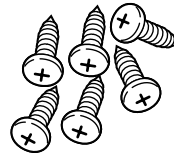


Phillips Screwdriver

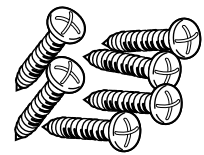


Drill

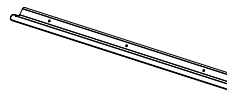
PREPARE TO INSTALL THE OVEN



6 Screws For Bottom Trim
(3 needed for installation and 3 extra’s)

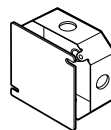


6 Wood Screws For Mounting
(4 needed for installation and 2 extra’s)



30" (76.2 cm)
Metal Bottom Trim

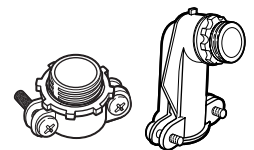
MATERIALS NEEDED



Junction Box



Wire Nuts



3/4" Conduit Connector



36" (91 cm)
of String

English

Español

Français

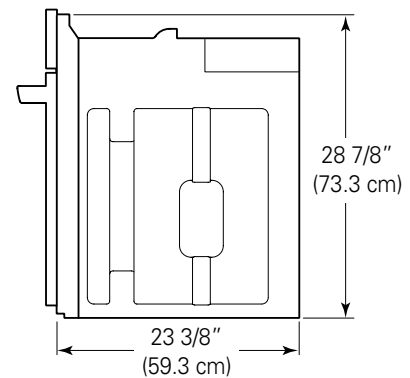
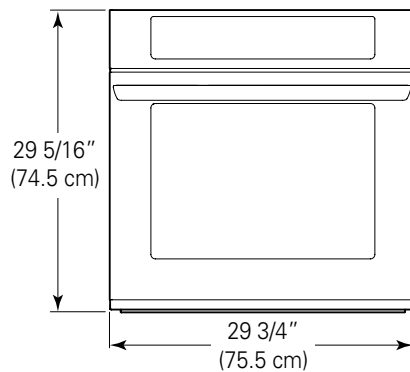
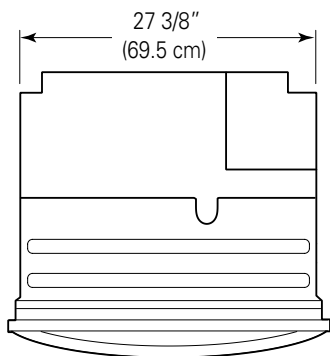
1 INSTALLATION DRAWINGS (FOR 30" SINGLE BUILT-IN OVEN)

The first step of your installation should be to measure your current cutout dimensions and compare them to the cutout dimensions shown below. You may find little or no cabinet work will be necessary.

IMPORTANT NOTE

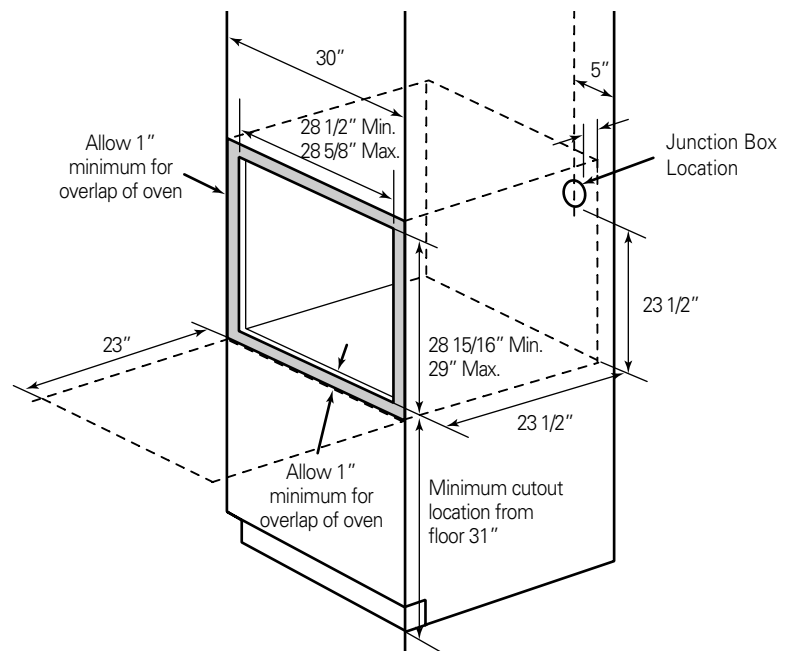
- The cabinet base platform must be able to support 190lbs (86Kg). If the cabinet does not have a solid bottom, two braces or runners must be installed level with the bottom of the cutout to support the weight of the oven. Make sure the base is level and front of cabinet is square. If the cabinet base is not level, the oven glides will tend to slide out when opening the door.
- If marks, blemishes or the cutout opening are visible above the installed oven, it may be necessary to add wood shims under the runners and front trim until the marks or opening are covered.
- If the cabinet does not have a front frame and the sides are less than 3/4" (1.9 cm) thick, shim both sides equally to establish the cutout width.
- The junction box must be flush with the rear wall of the cabinet as shown below.
- Allow at least 23" clearance for door depth when it is open.

Product dimensions



Cutout dimensions

Cabinet Width	30" (762 mm)
Recommended Minimum Cutout location from floor	31" (787.4 m)
Cutout Depth	23 1/2" Min. (596.9 mm)
Cutout Width	28 1/2" Min. (723.9 mm) 28 5/8" Max. (727 mm)
Cutout Height	28 15/16" Min. (735 mm) 29" Max. (736.6 mm)



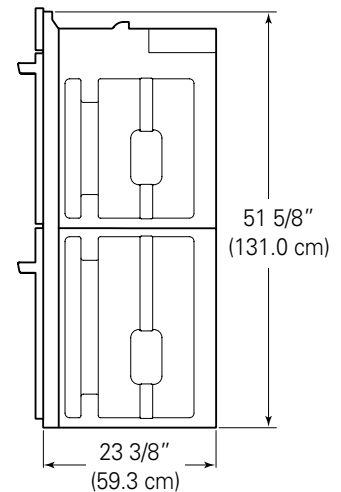
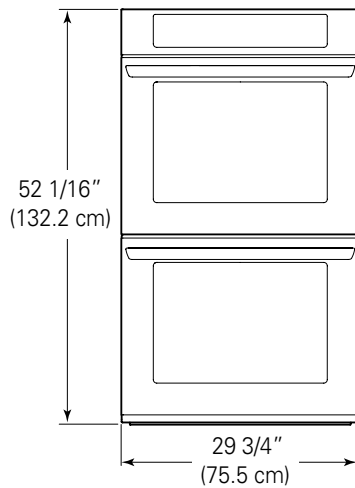
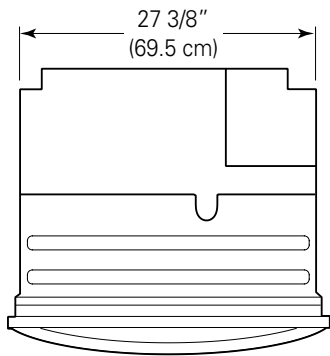
2 INSTALLATION DRAWINGS (FOR 30" DOUBLE BUILT-IN OVEN)

The first step of your installation should be to measure your current cutout dimensions and compare them to the cutout dimensions shown below. You may find little or no cabinet work will be necessary.

IMPORTANT NOTE

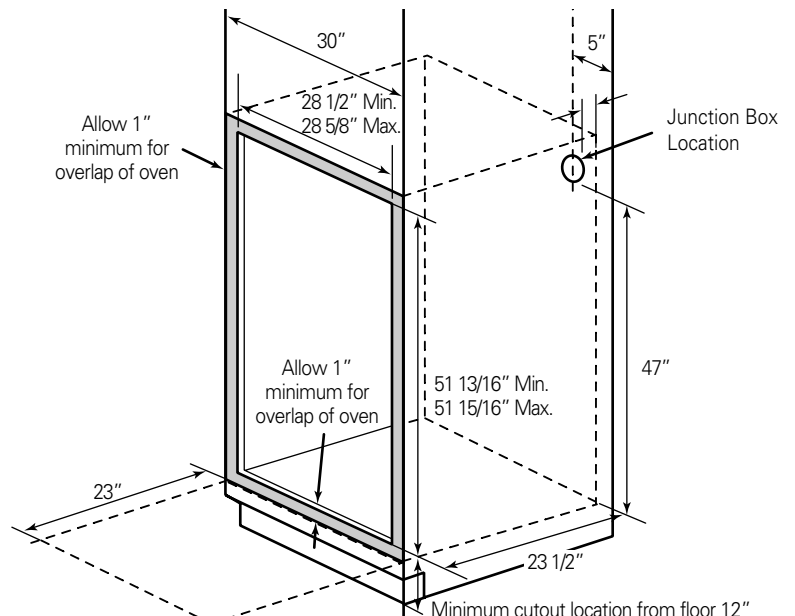
- The cabinet base platform must be able to support 325lbs (147Kg). If the cabinet does not have a solid bottom, two braces or runners must be installed level with the bottom of the cutout to support the weight of the oven. Make sure the base is level and front of cabinet is square. If the cabinet base is not level, the oven glides will tend to slide out when opening the door.
- If marks, blemishes or the cutout opening are visible above the installed oven, it may be necessary to add wood shims under the runners and front trim until the marks or opening are covered.
- If the cabinet does not have a front frame and the sides are less than 3/4" (1.9 cm) thick, shim both sides equally to establish the cutout width.
- The junction box must be flush with the rear wall of the cabinet as shown below.
- Allow at least 23" clearance for door depth when it is open.

Product dimensions



Cutout dimensions

Cabinet Width	30" (762 mm)
Recommended Minimum Cutout location from floor	12" (304.8 mm)
Cutout Depth	23 1/2" Min. (596.9 mm)
Cutout Width	28 1/2" Min. (723.9 mm) 28 5/8" Max. (727 mm)
Cutout Height	51 13/16" Min. (1316 mm) 51 15/16" Max. (1319.2 mm)



3 INSTALLATION DRAWINGS (FOR 30" SINGLE BUILT-IN OVEN UNDERCOUNTER)

The first step of your installation should be to measure your current cutout dimensions and compare them to the cutout dimensions shown below. You may find little or no cabinet work will be necessary.

IMPORTANT NOTE

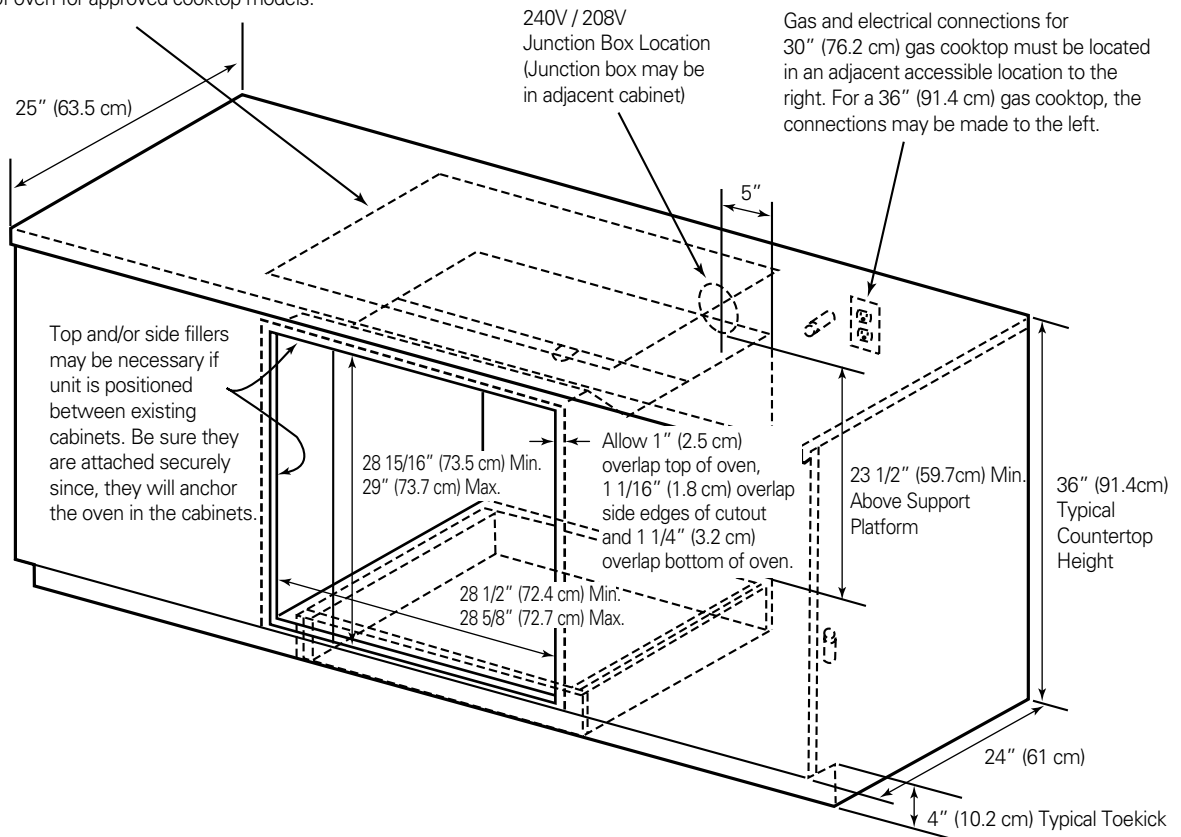
- The cabinet base platform must be able to support 190lbs (86Kg). If the cabinet does not have a solid bottom, two braces or runners must be installed level with the bottom of the cutout to support the weight of the oven. Make sure the base is level and front of cabinet is square. If the cabinet base is not level, the oven glides will tend to slide out when opening the door.
- If marks, blemishes or the cutout opening are visible above the installed oven, it may be necessary to add wood shims under the runners and front trim until the marks or opening are covered.
- If the cabinet does not have a front frame and the sides are less than 3/4" (1.9 cm) thick, shim both sides equally to establish the cutout width.
- The junction box must be flush with the rear wall of the cabinet as shown below.
- This oven is only approved to be installed under the specific models as labeled on this unit.

Product dimensions

Dimensions are same as the single built-in oven on page 4.

Cutout dimensions

Gas or electric cooktops may be installed over this oven. See cooktop installation instructions for cutout size. See label on top of oven for approved cooktop models.



4 PREPARATION FOR MOVING THE OVEN

The second step of your installation should be to remove any packing material from the oven before you install the oven.

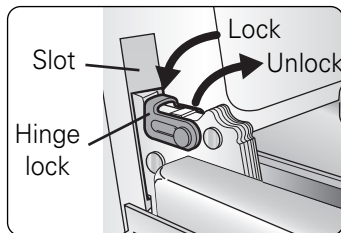
1. Remove all tape from around the oven.
2. Open the oven door and remove packaging materials and oven racks inside the oven.
3. Door removal is not a requirement for installation of the oven, but is an added convenience.
To remove the door, follow the steps below.

Step. 1

Fully open the door.

Step. 2

Pull the hinge locks down toward (Fig.1) the door frame, to the unlocked position.



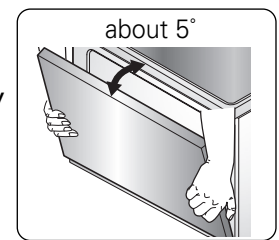
<Fig.1>

Step. 3

Firmly grasp both sides of the door at the top.

Step. 4

Close door to the door removal position, which is approximately 5 degrees. (refer to the Fig.2)



<Fig.2>

Step. 5

Lift door up and out until the hinge arm is clear of the slot.

4. Place the oven on a table or platform even with the cutout opening. (table or platform must support **190lbs [86Kg] for a single built-in oven, 325lbs [147Kg] for a double built-in oven.**)
5. Remove the metal bottom trim from the oven. It will be installed at the end of the installation process. The trim is wrapped separately and taped to the top of the unit.

CAUTION

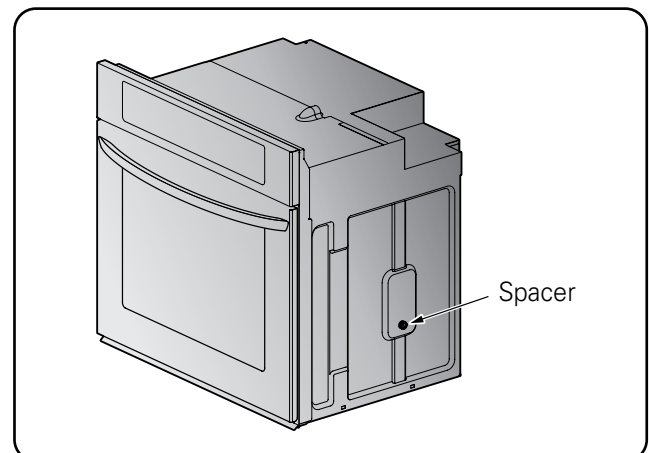
- **Make sure the cabinets and wall coverings around the oven can withstand the temperature (up to 194°F[90°C]) generated by the oven.**
- Discoloration, delamination or melting may occur.

CAUTION

- **DO NOT remove spacers on the side walls of the built-in oven.**
- These spacers center the oven in the space provided. The oven must be centered to prevent excess heat buildup that may result in heat damage or fire.

IMPORTANT NOTE

- Do not lift the door by the handle.
- The oven door is very heavy. Be sure you have a firm grip before lifting the oven door off the hinges. Use caution when lifting. It is recommended that two people lift and position the oven into the cabinet opening. Failure to follow this instruction can result in back or other injury. Wear gloves to protect hands from any sharp edges.
- Do not lay the oven door on its handle. This may cause dents or scratches.



1 ELECTRICAL CONNECTION REQUIREMENTS

The third step of your installation should be to follow electrical connection requirements below. Dedicated circuit protection must be prepared as recommended in electrical connection requirements and the oven should be grounded properly.

IMPORTANT NOTE

Be sure your wall oven is installed and grounded properly by a qualified installer or service technician.

- This wall oven must be electrically grounded in accordance with local codes or, in their absence, with the National Electrical Code ANSI/NFPA No.70- latest edition* in United States, or with CSA Standard C22.1-1982 and C22.2 No.01982 (or latest edition)**, Canadian Electrical Code, Part1, and all local codes and ordinances.
- This wall oven must be supplied with the proper voltage and frequency, and connected to an individual, properly grounded branch circuit, protected by a circuit breaker or fuse. To know the circuit breaker or fuse required by this model, see the rating plate to find the wattage consumption and refer to table below to get the circuit breaker or fuse amperage.

Appliance Rating Watts 240V	Protection Circuit recommended	Appliance Rating Watts 208V	Protection Circuit recommended
less than 4800W	20A	less than 4100W	20A
4800W - 7200W	30A	4100W - 6200W	30A
7200W - 9600W	40A	6200W - 8300W	40A
9600 and +	50A	8300 and +	50A

- A double wall oven can consume up to 7,800W at 240VAC.
A 40Amp circuit breaker with wire gauge #10 AWG must be used.
- A single wall oven can consume up to 4,100W at 240VAC.
A 30Amp circuit breaker with wire gauge at least #14 AWG must be used.

IMPORTANT NOTE

- Do Not ground to a gas pipe.
- Do Not have a fuse in the neutral or grounding circuit.
- A U.L.-listed conduit connector must be provided at the junction box.

⚠ WARNING

- **New branch-circuit installations (1996 NEC), mobile homes, recreational vehicles, or installations where local codes prohibit grounding through the neutral conductor require 4-wire branch-circuit connection.**

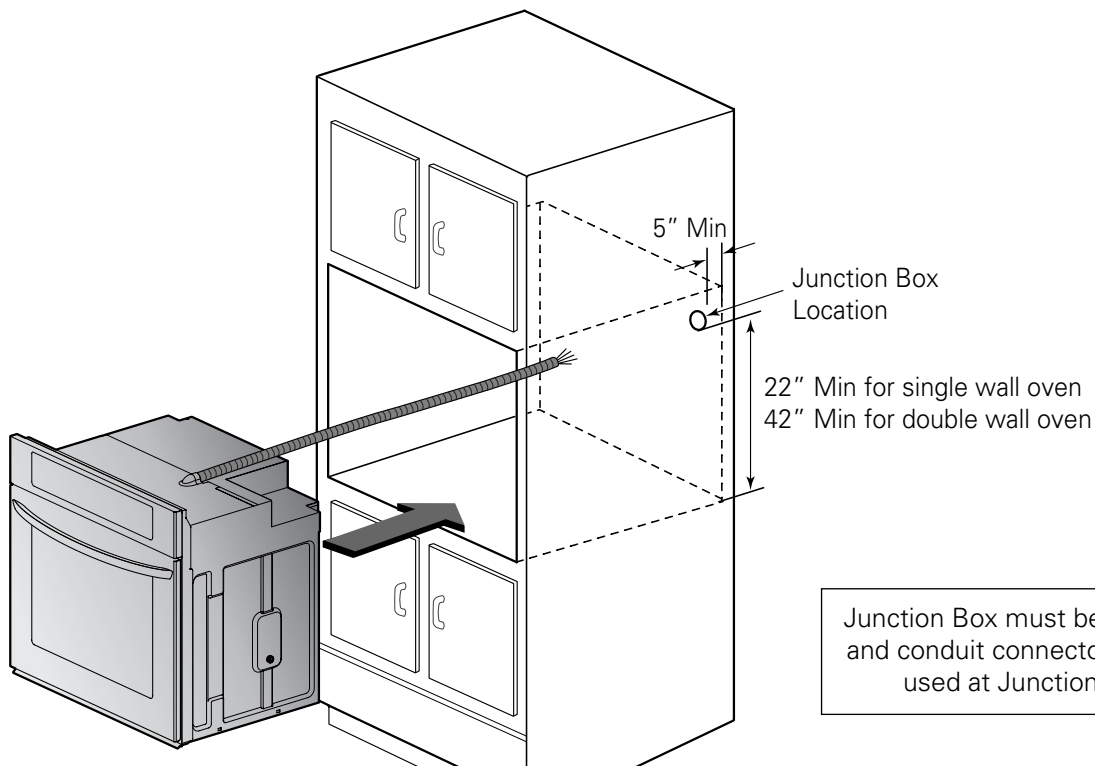
⚠ WARNING

- **Improper connection of aluminum house wiring to copper leads can result in an electrical hazard or fire. Use only connectors designed for joining copper to aluminum and follow the manufacturer's recommended procedure closely.**

2 ELECTRICAL CONNECTION

The fourth step of your installation should be to prepare the electrical connection as follows:

1. Turn off the circuit breaker or remove fuses to the oven branch circuit.
2. With the oven positioned directly in front of the cabinet opening, connect the flexible conduit to the electrical junction box as shown below. Position the conduit in such a manner that it will lie on top of the oven in a natural loop when the oven is installed.



3. If local codes permit connection of the frame grounding conductor to the neutral(white) wire, follow the instruction of 3-wire circuit connection on page 10.
If used in mobile homes or new construction, or recreational vehicle, or local codes do not permit connection of the frame grounding conductor to the neutral(white) wire, follow the instruction of 4-wire circuit connection on page 10.

IMPORTANT NOTE

- The wall ovens must be hard wired (direct wired) into an approved junction box. A plug and receptacle is not permitted on these products.
- DO NOT shorten the flexible conduit. The conduit connector must be securely attached to the junction box and the flexible conduit must be securely attached to the conduit connector. If the flexible conduit will not fit within the connector, do not install the oven until a connector of the proper size is obtained.

NOTE TO ELECTRICIAN

The power leads supplied with the appliance are UL, CSA recognized for connection to larger gauge household wiring. The insulation of these leads is rated at temperatures much higher than the temperature rating of household wiring. The current carrying capacity of the conductor is governed by the wire gauge and the temperature rating of the insulation around the wire.

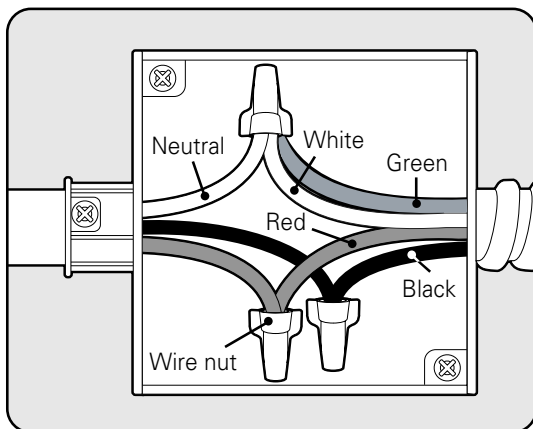
IMPORTANT NOTE

- You will need to purchase an appropriate conduit connector to complete the connection of the conduit to the junction box.

3-wire circuit connection

To connect to a three-wire circuit, follow these steps:

1. Connect the oven ground (green) wire and neutral (white) wire to the branch circuit neutral (white or gray in color) wire, using a wire nut.
2. Connect the oven red wire to the branch circuit red (L2) wire in accordance with local codes, using a wire nut.
3. Connect the oven black wire to the branch circuit black (L1) wire in accordance with local codes, using a wire nut. If the residence red, black or white wires are aluminum conductors, see WARNING on page 8.
4. Install the junction box cover.

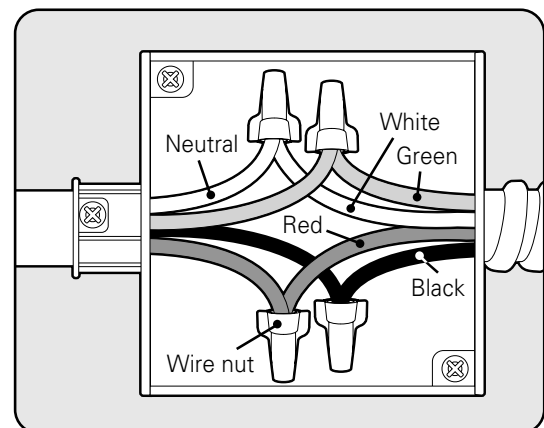


Junction Box

4-wire circuit connection

To connect to a four-wire circuit, follow these steps:

1. Separate the oven ground and white wires if necessary.
2. Connect the oven ground (green) wire to the branch circuit ground (green) wire in accordance with local codes, using a wire nut. If the residence red, black or white wires are aluminum conductors, see WARNING on page 8.
3. Connect the oven white wire to the branch circuit neutral (white or gray in color) wire in accordance with local codes, using a wire nut.
4. Connect the oven red wire to the branch circuit red (L2) wire in accordance with local codes, using a wire nut.
5. Connect the oven black wire to the branch circuit black (L1) wire in accordance with local codes, using a wire nut. If the residence red, black or white wires are aluminum conductors, see WARNING on page 8.
6. Install the junction box cover.



Junction Box

1 CABINET INSTALLATION

The fifth step of your installation should be to install the oven into the cabinet as follows:

1. Sliding the oven into the opening.
 - a. Loop (do not tie) a 36" (91cm) string around the conduit before the oven is slid into place. This will keep the conduit from falling behind the oven.
 - b. Lift oven into cabinet cutout using the oven opening as a grip. Carefully push against the oven front frame. Do not push against outside edges.
 - c. As you slide the oven back, pull the string so that the conduit will lie on the top of the oven in a natural loop.
 - d. When you are sure the conduit is out of the way, slide the oven 3/4 way back into the opening. Remove the string by pulling on one end of the loop.

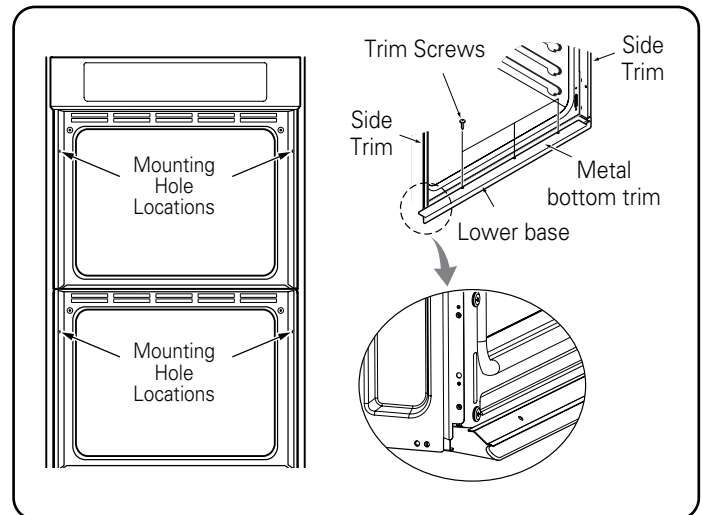
CAUTION

- **DO NOT block the oven air exhaust located at the bottom of the oven.**
- Blocking the exhaust may cause cabinet damage and product malfunction.

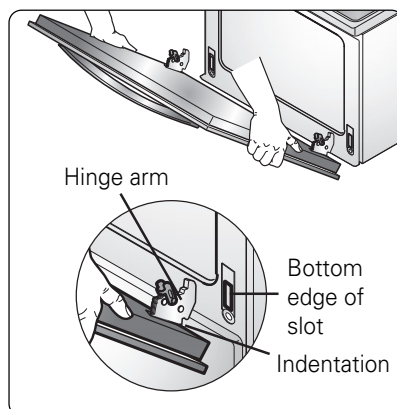
WARNING

- **Mounting screws must be used.**
- Failure to do so can result in the oven falling out of the cabinet causing serious injury.

2. Securing the oven.
 - a. Using the mounting holes on the oven side trim as a guide, drill pilot holes for screws provided (For securing the double wall oven, use a minimum of 4 screws, one on each side in both the upper and lower ovens. For securing the single wall oven, use a minimum of 2 screws, one on each side.)
 - b. Secure the oven to cabinet with screws provided. If the cabinet is particle board, you must use 3/4" particle board screws. These may be purchased at any hardware store.
3. Installing the metal bottom trim.
 - a. Place the metal bottom trim centered over the pre drilled mounting holes on the lower base.
 - b. Using 3 screws provided, secure the bottom trim to the bottom edge of the cabinet.
4. Reinstalling the oven door.

**Step. 1**

Firmly grasp both sides of the door at the top.

**Step. 2**

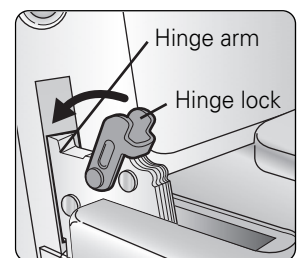
With the door at the same angle as the removal position, seat the indentation of the hinge arm into the bottom edge of the hinge slot. The notch in the hinge arm must be fully seated into the bottom of the slot.

Step. 3

Fully open the door. If the door will not fully open, the indentation is not seated correctly in the bottom edge of the slot.

Step. 4

Push the hinge locks up against the front frame of the oven cavity to the locked position.

**Step. 5**

Close the oven door.

1 CHECKING OPERATION

Each of the functions has been factory checked before shipping. However, it is suggested that you verify the operation of the oven once more. Refer to the Owner's Manual. Follow the instructions for the basic check.

1. Turn on power supply. The initial signal sound will be heard and LG logo should be appear in the display.
2. Check the operation of the broil mode. When the oven is set to broil, the upper element in the oven should become red. After few minutes, partially open the oven door. You should feel heat from the oven. Press the "CLEAR/OFF" pad.
3. Check the operation of the bake mode. After setting the oven to 350°F/177°C for baking, the temperature of the oven in the display should increase. Press the "CLEAR/OFF" pad.
4. Check the operation of the convection bake mode. After setting the oven to 350°F/177°C for convection baking, the fan inside the oven should come on with the door closed. Press the "CLEAR/OFF" pad.
5. Turn on and off the oven light to check the lights are normal condition.
6. Check the operation of the furnace convection mode. After setting the oven to 350°F/177°C for the furnace convection mode, the back element should light up and the fan inside the oven should come on with door closed.

IMPORTANT NOTE

- A small amount of smoke and odor may be noticed during the initial break-in period.
- If your oven does not operate properly or an "F", followed by a number, appears in the display, see your Owner's Manual for troubleshooting list. The list includes common occurrences that are not the result of defective workmanship or materials in this product. If the problem occurs continuously, contact your dealer.
- Refer to the warranty in your Owner's Manual for our tool-free service number and address.

1 AVANT DE COMMENCER

Retirez tous les rubans adhésifs et emballages avant d'utiliser le four. Jetez les sacs plastiques après avoir déballé le four. Ne laissez jamais les enfants jouer avec les emballages.

IMPORTANTES CONSIGNES DE SÉCURITÉ

Lisez et suivez toutes les directives avant d'utiliser votre four afin d'éviter tout risque d'incendie, de choc électrique, de blessure ou de dommage lors de l'utilisation du four. Ce manuel ne couvre pas tous les risques pouvant survenir. Pour plus d'assistance, contactez votre agent de service ou le fabricant.



Ce symbole représente une alerte de sécurité. Ce symbole vous avise de dangers possibles pouvant causer la mort, des blessures ou autres. Tous les messages de sécurité seront précédés du symbole d'alerte de sécurité ainsi que des mots «AVERTISSEMENT» ou «MISE EN GARDE». Ces mots signifient :

AVERTISSEMENT Ce symbole vous avertit des risques ou des pratiques dangereuses qui pourraient causer de graves blessures, voire la mort.

MISE EN GARDE Ce symbole vous avertit des risques ou des pratiques dangereuses qui pourraient causer de graves blessures ou des dommages à la propriété.

AVERTISSEMENT

- **Les informations contenues dans ce manuel doivent être suivies à la lettre.**
- Il pourrait en résulter un incendie ou un choc électrique pouvant causer des dommages à la propriété, des blessures ou la mort.
- **Ne JAMAIS appuyer sur la porte du four. Ne laisser personne grimper, s'asseoir, se mettre debout ou se suspendre à la porte du four.**
- Le four pourrait basculer causant des blessures par le déversement d'aliments ou par le four lui-même.
- **L'appareil doit être hors tension lors des connexions électriques.**
- Le non-respect de ces règles peut entraîner de graves blessures corporelles, la mort ou un choc électrique.
- **Il est nécessaire d'utiliser un câble à 4 conducteurs pour les nouvelles installations avec alimentation par un circuit secondaire (NEC 1996) dans les résidences mobiles et les véhicules récréatifs ou pour les installations où les codes locaux interdisent la mise à la terre par l'intermédiaire d'un conducteur neutre.**
- **Une connexion incorrecte du câblage en aluminium à des fils en cuivre peut causer un risque électrique ou un incendie. Utilisez seulement des connecteurs permettant de connecter le cuivre à l'aluminium et suivez, avec soin, la procédure recommandée par le fabricant.**
- **Les vis de montage doivent être utilisées.**
- En cas de non-respect de cette règle, le four peut tomber du meuble causant de graves blessures.

MISE EN GARDE

- **Assurez-vous que les revêtements des meubles et du mur peuvent supporter la température du four (jusqu'à 90°C (194°F)).**
- Les revêtements pourraient être décolorés, délaminés ou fondus.
- **NE PAS retirer les cales sur les parois extérieures sur les côtés du four encastrable.**
- Ces cales permettent de centrer le four dans l'ouverture prévue à son effet. Le four doit être centré pour éviter l'accumulation de chaleur qui pourrait causer des dommages par la chaleur ou un incendie.
- **NE PAS bloquer les évacuations d'air situées au bas du four.**
- Le meuble pourrait être endommagé ou l'appareil mal fonctionner si les évacuations d'air sont bloquées.

REMARQUE IMPORTANTE

L'installation doit être effectuée par un installateur ou un technicien qualifié.

- Veuillez lire le manuel d'installation en entier avant de procéder à l'installation.
- Retirez tous les matériaux d'emballages de l'intérieur du four avant de brancher celui-ci à une alimentation électrique.
- Installateur : veuillez garder ces instructions comme référence pour l'inspecteur local, puis remettez-les au client.
- Consommateur : veuillez lire et garder ces instructions pour toute référence future. Il est également nécessaire d'avoir lu le MANUEL D'UTILISATION en entier avant toute utilisation.

⚠ AVERTISSEMENT

- **Les informations contenues dans ce manuel doivent être suivies à la lettre.**
- Il pourrait en résulter un incendie ou un choc électrique pouvant causer des dommages à la propriété, des blessures ou la mort.

REMARQUE IMPORTANTE

L'installateur est responsable de l'installation correcte de l'appareil. Toute panne de l'appareil résultant d'une mauvaise installation ne sera pas couverte par la garantie.

⚠ AVERTISSEMENT

- **Ne JAMAIS appuyer sur la porte du four. Ne laisser personne grimper, s'asseoir, se mettre debout ou se suspendre à la porte du four.**
- Le four pourrait basculer causant des blessures par le déversement d'aliments ou par le four lui-même.

⚠ AVERTISSEMENT

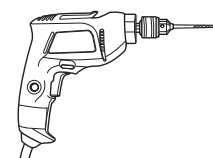
- **L'appareil doit être hors tension lors des connections électriques.**
- Le non-respect de ces règles peut entraîner de graves blessures corporelles, la mort ou un choc électrique.

REMARQUE IMPORTANTE

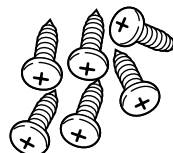
Respectez tous les codes et règlements applicables. Cet appareil doit être correctement connecté à la terre.

PRÉPARATION POUR L'INSTALLATION DU FOUR

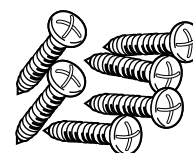
Tournevis Phillips



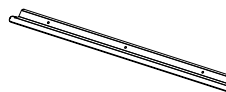
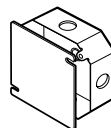
Perceuse

PRÉPARATION POUR L'INSTALLATION DU FOUR

6 Vis pour la Garniture Inférieure
(3 sont requises pour l'installation et 3 autres en supplément)



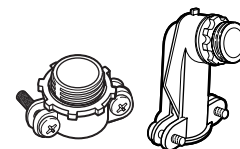
6 Vis en Bois pour le Montage
(4 sont requises pour l'installation et 2 autres en supplément)

Garniture Inférieure
Métallique 30po (76,2 cm)**EQUIPEMENTS REQUIS**

Boite de jonction



Serre-fils



Raccord de conduit 3/4po



Ficelle de 36po (91 cm)

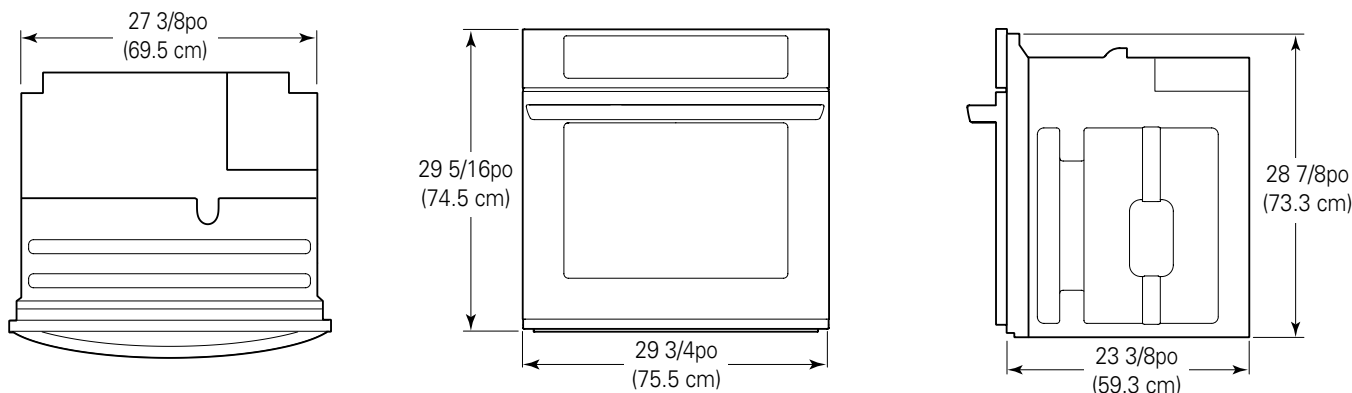
1 PLANS D'INSTALLATION (POUR UN FOUR ENCASTRABLE SIMPLE DE 30PO)

La première étape de l'installation est de mesurer les dimensions actuelles de l'ouverture découpée et de les comparer aux dimensions indiquées ci-dessous. Vous verrez que peu ou pas de modifications seront requises sur le meuble.

REMARQUE IMPORTANTE

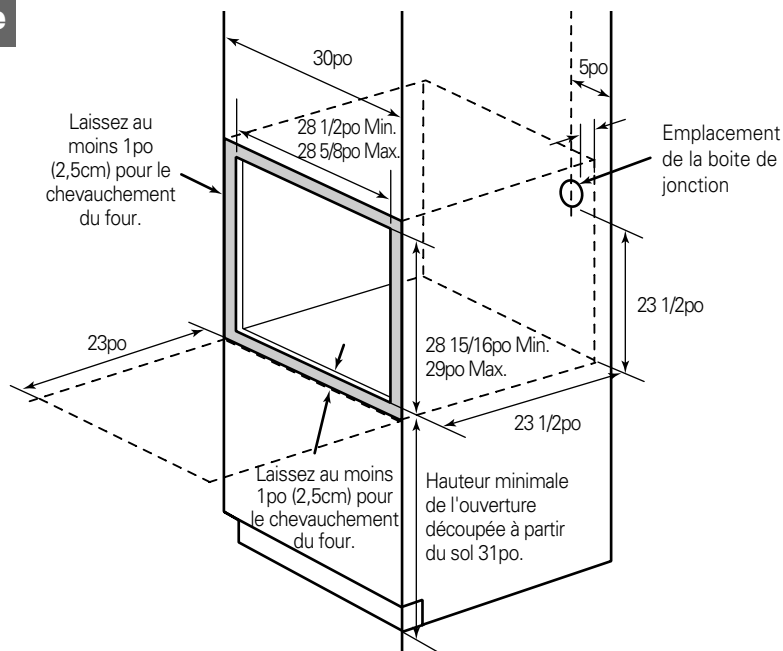
- La base du meuble doit pouvoir supporter un poids de 190 livres (86Kg). Si la base du meuble n'est pas pleine, deux équerres de renfort ou deux chevrons doivent être installés au niveau de la base de l'ouverture découpée pour supporter le poids du four. Assurez-vous que la base est de niveau et que le devant du meuble est d'équerre. Si la base du meuble n'est pas de niveau, les glissières du four auront tendance à sortir à l'ouverture de la porte.
- Si des marques, des défauts ou l'ouverture découpée sont visibles au-dessus du four après installation, il sera peut-être nécessaire d'ajouter des cales en bois sous les chevrons et sous la garniture avant jusqu'à ce que les marques ou l'ouverture découpée soient recouvertes.
- Si le meuble n'a pas de face et les côtés ont une épaisseur inférieure à 3/4po (1,9cm), calez les deux côtés de façon identique pour établir la largeur de l'ouverture découpée.
- La boîte de jonction doit être au même niveau que la paroi arrière du meuble, comme indiqué ci-dessous.
- Laissez un espace d'au moins 23po (58cm) pour permettre l'ouverture de la porte.

Dimensions de l'appareil



Dimensions de l'ouverture découpée

Largueur du meuble	30po (762 mm)
Hauteur minimale de l'ouverture découpée à partir du sol.	31po (787.4 m)
Profondeur de l'ouverture découpée.	23 1/2po Min. (596.9 mm)
Largueur de l'ouverture découpée.	28 1/2po Min. (723.9 mm) 28 5/8po Max. (727 mm)
Hauteur de l'ouverture découpée.	28 15/16po Min. (735 mm) 29po Max. (736.6 mm)



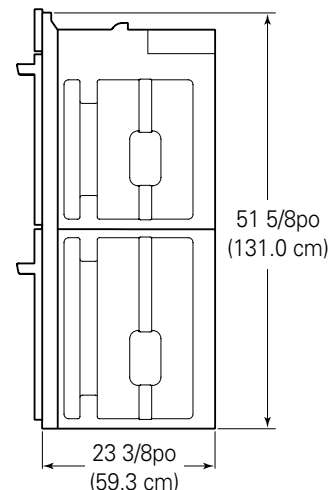
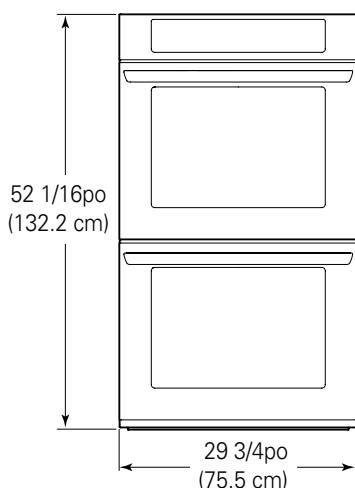
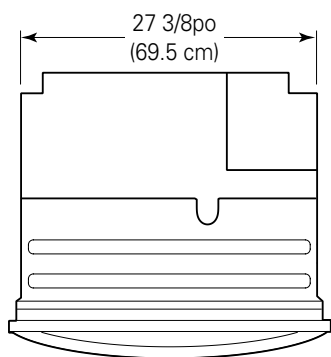
2 PLANS D'INSTALLATION (POUR UN FOUR ENCASTRABLE DOUBLE DE 30PO)

La première étape de l'installation est de mesurer les dimensions actuelles de l'ouverture découpée et de les comparer aux dimensions indiquées ci-dessous. Vous verrez que peu ou pas de modifications seront requises sur le meuble.

REMARQUE IMPORTANTE

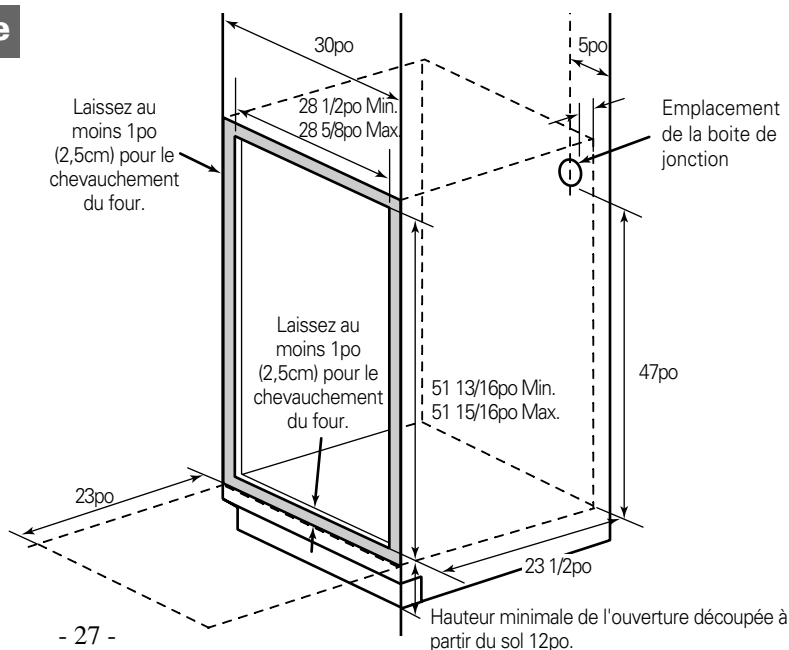
- La base du meuble doit pouvoir supporter un poids de 325 livres (147Kg). Si la base du meuble n'est pas pleine, deux équerres de renfort ou deux chevrons doivent être installés au niveau de la base de l'ouverture découpée pour supporter le poids du four. Assurez-vous que la base est de niveau et que le devant du meuble est d'équerre. Si la base du meuble n'est pas de niveau, les glissières du four auront tendance à sortir à l'ouverture de la porte.
- Si des marques, des défauts ou l'ouverture découpée sont visibles au-dessus du four après installation, il sera peut-être nécessaire d'ajouter des cales en bois sous les chevrons et sous la garniture avant jusqu'à ce que les marques ou l'ouverture découpée soient recouvertes.
- Si le meuble n'a pas de face et les côtés ont une épaisseur inférieure à 3/4po (1,9cm), calez les deux côtés de façon identique pour établir la largeur de l'ouverture découpée.
- La boîte de jonction doit être au même niveau que la paroi arrière du meuble, comme indiqué ci-dessous.
- Laissez un espace d'au moins 23po (58cm) pour permettre l'ouverture de la porte.

Dimensions de l'appareil



Dimensions de l'ouverture découpée

Largeur du meuble	30po (762 mm)
Hauteur minimale de l'ouverture découpée à partir du sol.	12po (304.8 mm)
Profondeur de l'ouverture découpée.	23 1/2po Min. (596.9 mm)
Largeur de l'ouverture découpée.	28 1/2po Min. (723.9 mm) 28 5/8po Max. (727 mm)
Hauteur de l'ouverture découpée.	51 13/16po Min. (1316 mm) 51 15/16po Max. (1319.2 mm)



3 PLANS D'INSTALLATION (POUR UN FOUR SIMPLE DE 30PO ENCASTRABLE SOUS UN COMPTOIR)

La première étape de l'installation est de mesurer les dimensions actuelles de l'ouverture découpée et de les comparer aux dimensions indiquées ci-dessous. Vous verrez que peu ou pas de modifications seront requises sur le meuble.

REMARQUE IMPORTANTE

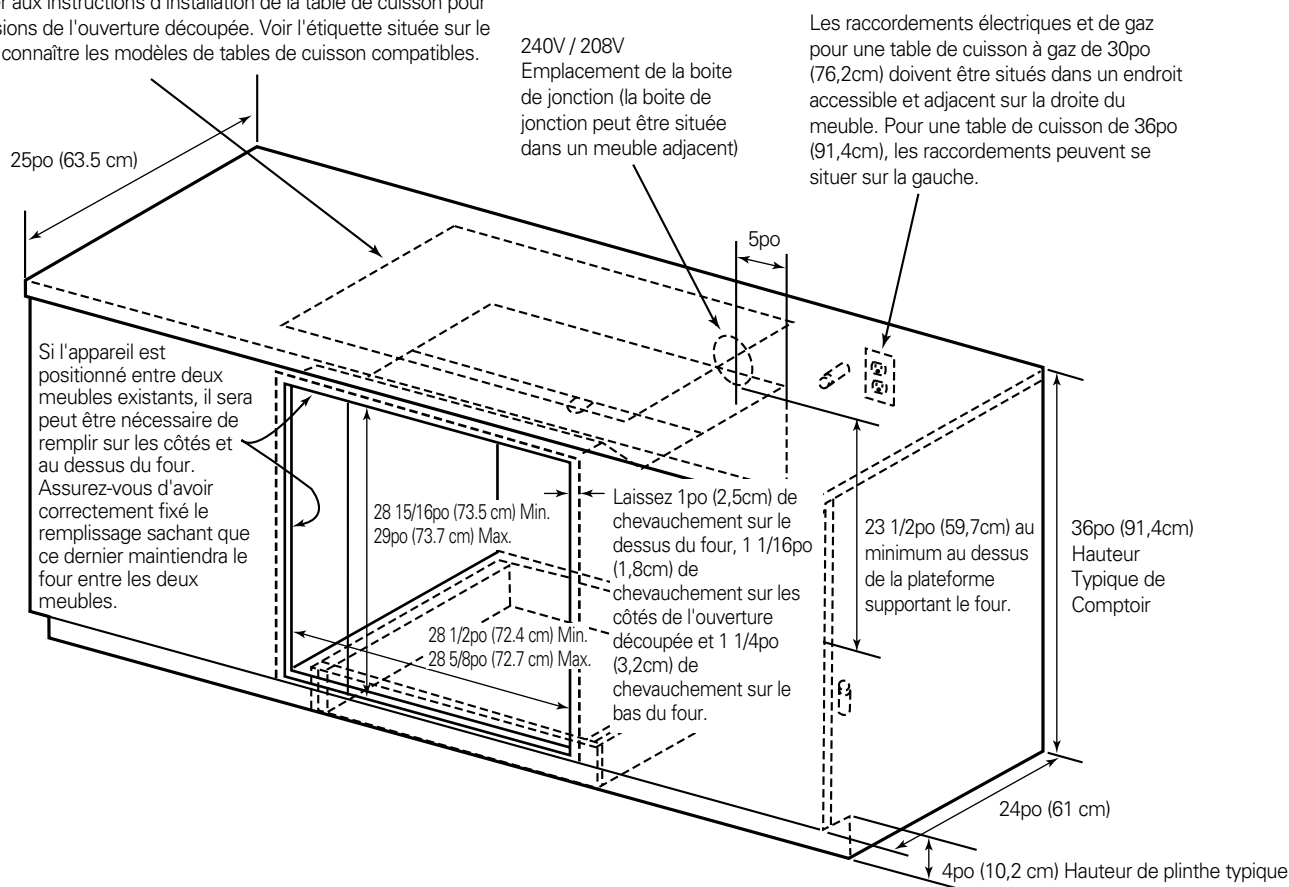
- La base du meuble doit pouvoir supporter un poids de 190 livres (86Kg). Si la base du meuble n'est pas pleine, deux équerres de renfort ou deux chevrons doivent être installés au niveau de la base de l'ouverture découpée pour supporter le poids du four. Assurez-vous que la base est de niveau et que le devant du meuble est d'équerre. Si la base du meuble n'est pas de niveau, les glissières du four auront tendances à sortir à l'ouverture de la porte.
- Si des marques, des défauts ou l'ouverture découpée sont visibles au-dessus du four après installation, il sera peut-être nécessaire d'ajouter des cales en bois sous les chevrons et sous la garniture avant jusqu'à ce que les marques ou l'ouverture découpée soient recouvertes.
- Si le meuble n'a pas de face et les côtés ont une épaisseur inférieure à 3/4po (1,9cm), calez les deux côtés de façon identique pour établir la largeur de l'ouverture découpée.
- a boîte de jonction doit être au même niveau que la paroi arrière du meuble, comme indiqué ci-dessous.
- L'installation de ce four est seulement autorisée sous certains modèles particuliers tels qu'indiqués sur l'appareil.

Dimensions de l'appareil

Les dimensions sont identiques à celles du four encastrable présenté en page 26.

Dimensions de l'ouverture découpée

Des tables de cuisson électriques ou à gaz peuvent être installées au-dessus de ce four. Se référer aux instructions d'installation de la table de cuisson pour connaître les dimensions de l'ouverture découpée. Voir l'étiquette située sur le dessus du four pour connaître les modèles de tables de cuisson compatibles.



4 PRÉPARATION POUR LE DÉPLACEMENT DU FOUR

La deuxième étape de l'installation est de retirer complètement l'emballage du four avant d'installer ce dernier.

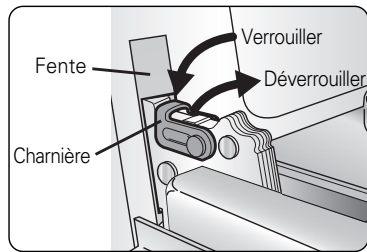
1. Retirez tout le ruban adhésif situé autour du four.
2. Ouvrez les portes et retirez du four les matériaux d'emballages et les grilles.
3. Il n'est pas nécessaire de retirer la porte pour installer le four mais l'installation en sera facilitée. Pour retirer la porte, suivez les étapes suivantes :

Etape 1

Ouvrez complètement la porte.

Etape 2

Tirez les charnières (Fig.1) vers le cadre de la porte dans la position déverrouillée.



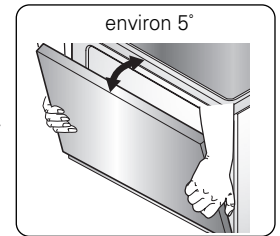
<Fig.1>

Etape 3

Maintenir fermement le haut de la porte des deux côtés.

Etape 4

Refermez la porte jusqu'à la position permettant de la retirer, c'est-à-dire lorsque la porte forme un angle d'environ 5 degrés. (se référer à la Fig.2)



<Fig.2>

Etape 5

Soulevez la porte jusqu'à ce que la charnière se désunisse de la fente.

4. Positionnez le four sur une table ou sur la plateforme aligné avec l'ouverture découpée. (la table ou la plateforme doivent pouvoir soutenir **190livres [86Kg] pour un four encastrable simple, 325livres [147Kg] pour un four encastrable double.**)
5. Retirez la garniture métallique inférieure du four. Elle sera posée en fin d'installation. Cette garniture est emballée séparément et fixée à l'aide de ruban adhésif sur le dessus de l'appareil.

⚠ MISE EN GARDE

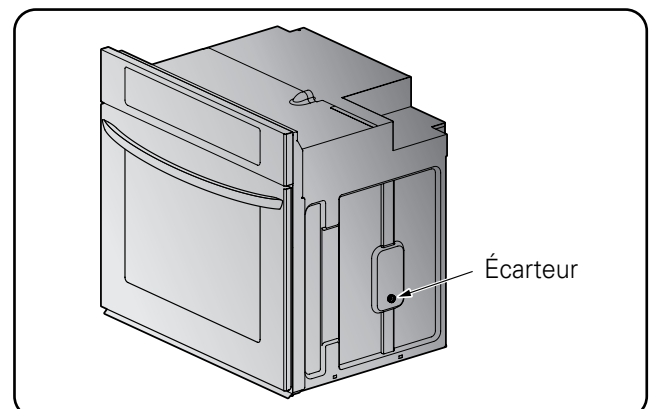
- **Assurez-vous que les revêtements des meubles et du mur autour du four peuvent supporter la chaleur générée par le four (jusqu'à 90°C (194°F)).**
- Les revêtements pourraient être décolorés, délamés ou fondus.

⚠ MISE EN GARDE

- **NE PAS retirer les cales sur les parois extérieures sur le côté du four encastrable.**
- Ces cales permettent de centrer le four dans l'ouverture prévue à son effet. Le four doit être centré pour éviter l'accumulation de chaleur qui pourrait causer des dommages par la chaleur ou un incendie.

REMARQUE IMPORTANTE

- Ne pas soulever la porte par la poignée.
- La porte du four est très lourde. Assurez-vous d'avoir la porte bien en main avant de la soulever et de la retirer de ses charnières. Soyez prudent en la soulevant. Il est préférable que deux personnes soulèvent et positionnent le four dans l'ouverture du meuble. Le non-respect de cette instruction peut entraîner des blessures au dos ou ailleurs. Portez des gants pour vous protéger les mains de tous bords coupants.
- Ne pas poser la porte sur sa poignée. Ceci pourrait l'abîmer ou la rayer.



1 SPÉCIFICATION DES CONNEXIONS ÉLECTRIQUES

La troisième étape de l'installation est de suivre les spécifications des connexions électriques ci-dessous. La protection du circuit correspondante doit être préparée telle que recommandée dans les spécifications de connexions électriques et le four doit être mis à la terre correctement.

REMARQUE IMPORTANTE

Il est préférable de faire installer et de faire mettre votre four mural à la terre par un installateur qualifié ou un technicien de maintenance.

- Ce four mural doit être mis à la terre conformément aux prescriptions des codes locaux en vigueur ou, en leurs absences, du Code Électrique national ANSI/NFPA No.70 - édition la plus récente aux USA ou de la norme CSA C22.1-1982 et C22.2 No.01982 (ou l'édition la plus récente) du Code Canadien Électrique, 1ère Partie et de tout code ou règlement local en vigueur.
- Ce four mural doit être fourni avec la tension et la fréquence correcte, connecté à un circuit secondaire correctement mis à la terre et protégé par un disjoncteur ou un fusible. Pour connaître le disjoncteur ou le fusible requis pour ce modèle, se référer à la plaque signalétique pour connaître la consommation électrique et se référer au tableau ci-dessous l'ampérage du disjoncteur ou du fusible.

Puissance de l'appareil Watts 240V	Circuit de Protection recommandé	Puissance de l'appareil Watts 208V	Circuit de Protection recommandé
moins de 4800W	20A	moins de 4100W	20A
4800W - 7200W	30A	4100W - 6200W	30A
7200W - 9600W	40A	6200W - 8300W	40A
9600 et +	50A	8300 et +	50A

- Un four mural double peut consommer jusqu'à 7 800W à 240Vca.
Un disjoncteur de 40A avec un fil d'épaisseur #10 AWG doit être utilisé.
- Un four mural simple peut consommer jusqu'à 4 100W à 240Vca.
Un disjoncteur de 30A avec un fil d'épaisseur #14 AWG doit être utilisé.

REMARQUE IMPORTANTE

- Ne pas connecter à une tuyauterie de gaz pour une mise à la terre.
- Ne Pas mettre de fusible dans le circuit neutre ou de mise à la terre.
- Un raccord de conduit listé U.L. doit être installé à la boîte de jonction.

⚠ AVERTISSEMENT

- **Il est nécessaire d'utiliser un câble à 4 conducteurs pour les nouvelles installations avec alimentation par un circuit secondaire (NEC 1996) dans les résidences mobiles et les véhicules récréatifs ou pour les installations où les codes locaux interdisent la mise à la terre par l'intermédiaire d'un conducteur neutre.**

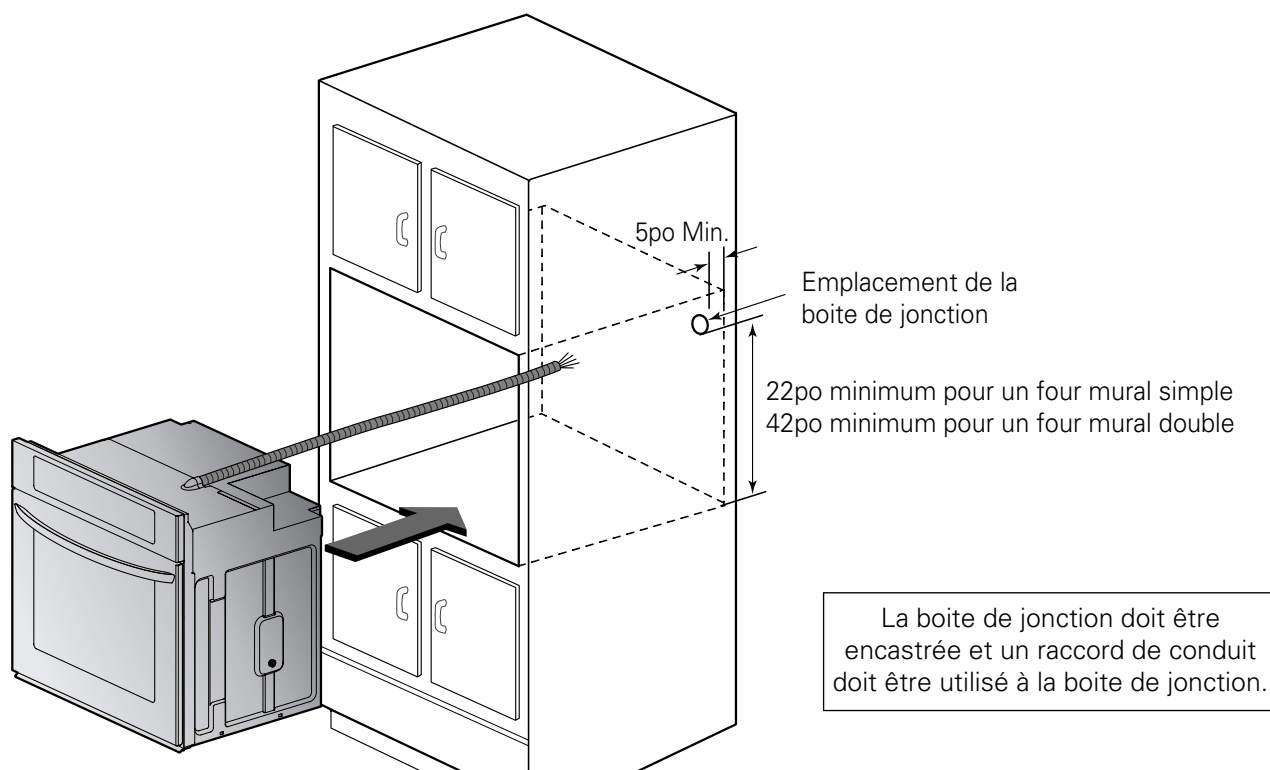
⚠ AVERTISSEMENT

- **Une connexion incorrecte du câblage en aluminium à des fils en cuivre peut causer un risque électrique ou un incendie. Utilisez seulement des connecteurs permettant de connecter le cuivre à l'aluminium et suivez, avec soin, la procédure recommandée par le fabricant.**

2 CONNEXION ÉLECTRIQUE

La quatrième étape de votre installation est de préparer les connexions électriques comme indiquées ci-dessous :

1. Déconnectez le disjoncteur ou retirez les fusibles du circuit secondaire du four.
2. Avec le four positionné devant l'ouverture découpée dans le meuble, connectez le câble armé souple à la boîte de jonction électrique comme indiqué ci-dessous. Positionnez le câble de telle façon qu'il repose en une boucle naturelle sur le dessus du four lorsque celui-ci sera en place.



3. Si les codes locaux permettent la connexion d'un conducteur de mise à la terre du cadre au fil neutre (blanc), suivez les instructions sur la connexion d'un circuit à 3 câbles à la page 32.
Si les codes locaux permettent la connexion d'un conducteur de mise à la terre du cadre au fil neutre (blanc), suivez les instructions sur la connexion d'un circuit à 4 câbles à la page 32.

REMARQUE IMPORTANTE

- Les fours muraux doivent être raccordés (directement) à une boîte de jonction autorisée. Une fiche d'alimentation et une prise femelle ne sont pas autorisées pour ces appareils.
- NE PAS raccourcir le câble souple. Le raccord de conduit doit être solidement branché à la boîte de jonction et le câble souple doit être solidement branché au raccord de conduit. Si le câble flexible est trop large pour le connecteur, n'installez pas le four avant d'avoir obtenu un connecteur de la taille adaptée.

REMARQUE POUR L'ÉLECTRICIEN

Les câbles d'alimentation fournis avec les appareils sont répertoriés UL et certifiés CSA pour une connexion aux câblages domestiques de plus gros diamètre. L'isolation de ces câbles est conçue pour résister à des températures bien plus élevées que les caractéristiques thermiques des câblages domestiques. L'intensité maximale admissible de ce conducteur est régie par l'épaisseur du fil et par les caractéristiques thermiques de l'isolation autour du fil.

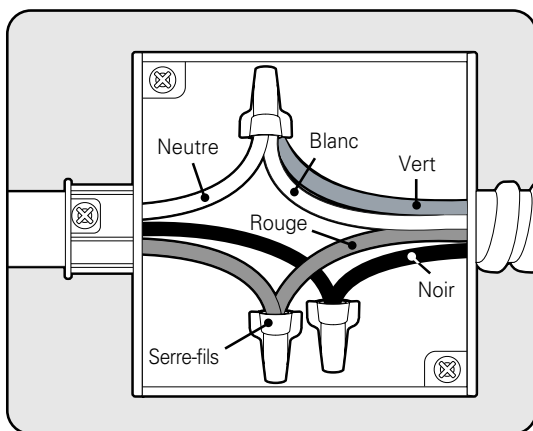
REMARQUE IMPORTANTE

- Il vous sera nécessaire d'acheter le raccord de conduit approprié pour compléter la connexion du câble à la boîte de jonction

Connexion d'un circuit à 3 câbles

Pour connecter un circuit à 3 câbles, suivez les instructions suivantes :

1. Branchez le fil de terre du four (vert) et le fil neutre (blanc) au fil neutre du circuit secondaire (de couleur grise ou blanche) en utilisant un serre-fils.
2. Branchez le fil rouge du four au fil rouge (L2) du circuit secondaire conformément aux codes locaux, en utilisant un serre-fils.
3. Branchez le fil noir du four au fil noir (L1) du circuit secondaire conformément aux codes locaux, en utilisant un serre-fils. Si les fils rouge, noir ou blanc de la résidence sont en aluminium, se référer à l'AVERTISSEMENT en page 30.
4. Installez le couvercle de la boîte de jonction.

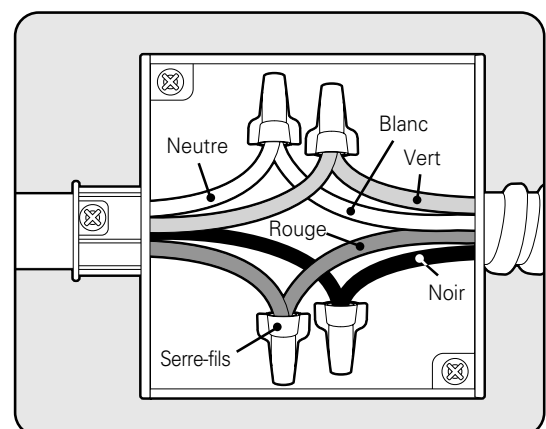


Boîte de jonction

Connexion d'un circuit à 4 câbles

Pour connecter un circuit à 4 câbles, suivez les instructions suivantes :

1. Si nécessaire, séparez les fils de terre et les fils blancs du four.
2. Branchez le fil de terre (vert) du four au fil de terre (vert) du circuit secondaire conformément aux codes locaux, en utilisant un serre-fils. Si les fils rouge, noir ou blanc de la résidence sont en aluminium, se référer à l'AVERTISSEMENT en page 30.
3. Branchez le fil blanc du four au fil neutre (de couleur blanche ou grise) du circuit secondaire conformément aux codes locaux, en utilisant un serre-fils.
4. Branchez le fil rouge du four au fil rouge (L2) du circuit secondaire conformément aux codes locaux, en utilisant un serre-fils.
5. Branchez le fil noir du four au fil noir (L1) du circuit secondaire conformément aux codes locaux, en utilisant un serre-fils. Si les fils rouge, noir ou blanc de la résidence sont en aluminium, se référer à l'AVERTISSEMENT en page 30.
6. Installez le couvercle de la boîte de jonction.



Boîte de jonction

1 INSTALLATION DU MEUBLE

La cinquième étape de votre installation est d'installer le four dans le meuble, comme indiqué ci-dessous :

1. Faites glisser le four dans l'ouverture.
 - a. Faites une boucle (sans l'attacher) autour du câble à l'aide de la ficelle de 36po (91cm) avant de positionner le four. Cela évitera au câble de tomber derrière le four.
 - b. Levez le four et placez-le dans l'ouverture découpée dans le meuble en utilisant l'intérieur du four pour une meilleure prise de ce dernier. Poussez doucement contre la face du four. Ne poussez pas contre les bords extérieurs.
 - c. Tirez sur la ficelle quand vous faites glisser le four en place de telle façon que le câble repose sur le dessus du four en formant une boucle naturelle.
 - d. Lorsque vous êtes sûr que le câble ne risque pas d'être bloqué derrière le four, faites glisser le four au 3/4 dans l'ouverture découpée. Retirez la ficelle en tirant sur une des extrémités de la boucle.

MISE EN GARDE

- **NE PAS bloquer les évacuations d'air situées au bas du four.**

- Le meuble pourrait être endommagé ou l'appareil mal fonctionner si les évacuations d'air sont bloquées.

AVERTISSEMENT

- **Des vis de montage doivent être utilisées.**

- En cas de non-respect de cette règle, le four peut tomber du meuble causant de graves blessures.

2. Arrimage du four

- a. Percez des trous pour les vis fournies en utilisant comme guide les trous de montage sur la garniture du côté du four (Pour arrimer le four mural double, utilisez au moins 4 vis, une de chaque côté pour le four supérieur et pour le four inférieur. Pour arrimer le four mural simple, utilisez au moins 2 vis, une de chaque côté.)
- b. Fixez le four au meuble à l'aide des vis fournies. Si le meuble est en panneau d'aggloméré, vous devez utiliser des vis de 3/4po pour panneau d'aggloméré. Elles peuvent être achetées dans toute quincaillerie.

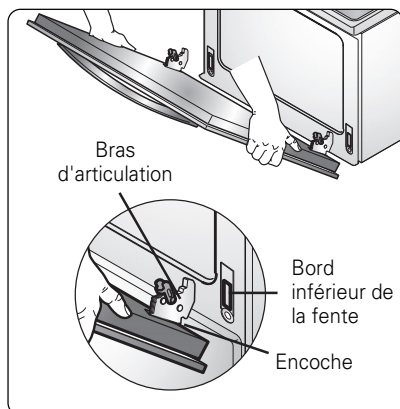
3. Installation de la garniture inférieure.

- a. Placez la garniture métallique inférieure centrée sur les trous de montage prépercés sur la base inférieure.
- b. Fixez la garniture inférieure au bord inférieur du meuble en utilisant les 3 vis fournies.

4. Réinstallez la porte du four.

Etape 1

Saisissez fermement les deux côtés de la porte sur le haut.

**Etape 2**

Avec la porte dans la même position que pour la retirer, positionnez l'indentation du bras d'articulation dans le bord inférieur de la fente de la charnière. L'encoche du bras d'articulation doit entièrement reposer au fond de la fente.

Etape 3

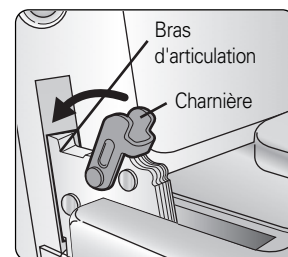
Ouvrez complètement la porte. Si la porte ne s'ouvre pas complètement, cela signifie que l'encoche ne doit pas reposer correctement sur le bord inférieur de la fente.

Etape 4

Repoussez les charnières contre la face du four de façon à le verrouiller.

Etape 5

Fermez la porte du four.



1 VÉRIFICATION DU FONCTIONNEMENT

Chaque fonction a été vérifiée en usine avant expédition. Cependant, il est recommandé de vérifier le fonctionnement du four une dernière fois. Référez-vous au Manuel d'Utilisation Suivez les instructions pour une vérification sommaire.

1. Allumez le four. Vous entendrez le premier signal auditif et le logo de LG s'affichera à l'écran.
2. Vérifiez le fonctionnement du mode grill (broil). Lorsque le four est réglé sur grill (broil), l'élément supérieur du four deviendra rougeoyant. Au bout de quelques minutes, ouvrez partiellement la porte du four. Vous devriez sentir la chaleur émanant du four. Appuyez sur la touche EFFACER/ÉTEINDRE (CLEAR/OFF).
3. Vérifiez le fonctionnement du mode cuisson (bake). Après avoir réglé le four sur 350°F/177°C pour la cuisson, la température affichée du four devrait augmenter. Appuyez sur la touche EFFACER/ÉTEINDRE (CLEAR/OFF).
4. Vérifiez le fonctionnement du mode cuisson par convection (convection bake). Après avoir réglé le four sur 350°F/177°C pour une cuisson par convection, le ventilateur à l'intérieur se mettra en marche à la fermeture de la porte. Appuyez sur la touche EFFACER/ÉTEINDRE (CLEAR/OFF).
5. Allumez et éteignez la lumière du four pour vérifier son fonctionnement.
6. Vérifiez le fonctionnement du mode fourneau à convection (furnace convection). Après avoir réglé le four sur 350°F/177°C pour une cuisson au fourneau à convection, la lumière à l'arrière du four s'allumera et ventilateur à l'intérieur se mettra en marche à la fermeture de la porte.

REMARQUE IMPORTANTE

- Vous remarquerez peut être de la fumée et des odeurs émanant du four pendant les premières utilisations.
- Si votre four ne fonctionne pas correctement ou un «F » suivi d'un chiffre s'affiche à l'écran, référez-vous à votre Manuel d'Utilisation pour un dépiage des problèmes. Cette liste inclut les problèmes courants qui ne résultent pas d'un vice de matière ou de fabrication. Si un problème se produit régulièrement, contactez votre revendeur.
- Veuillez vous référer à votre Manuel d'Utilisation pour obtenir notre numéro d'appel sans frais et notre adresse.

MEMO



LG Electronics Inc.