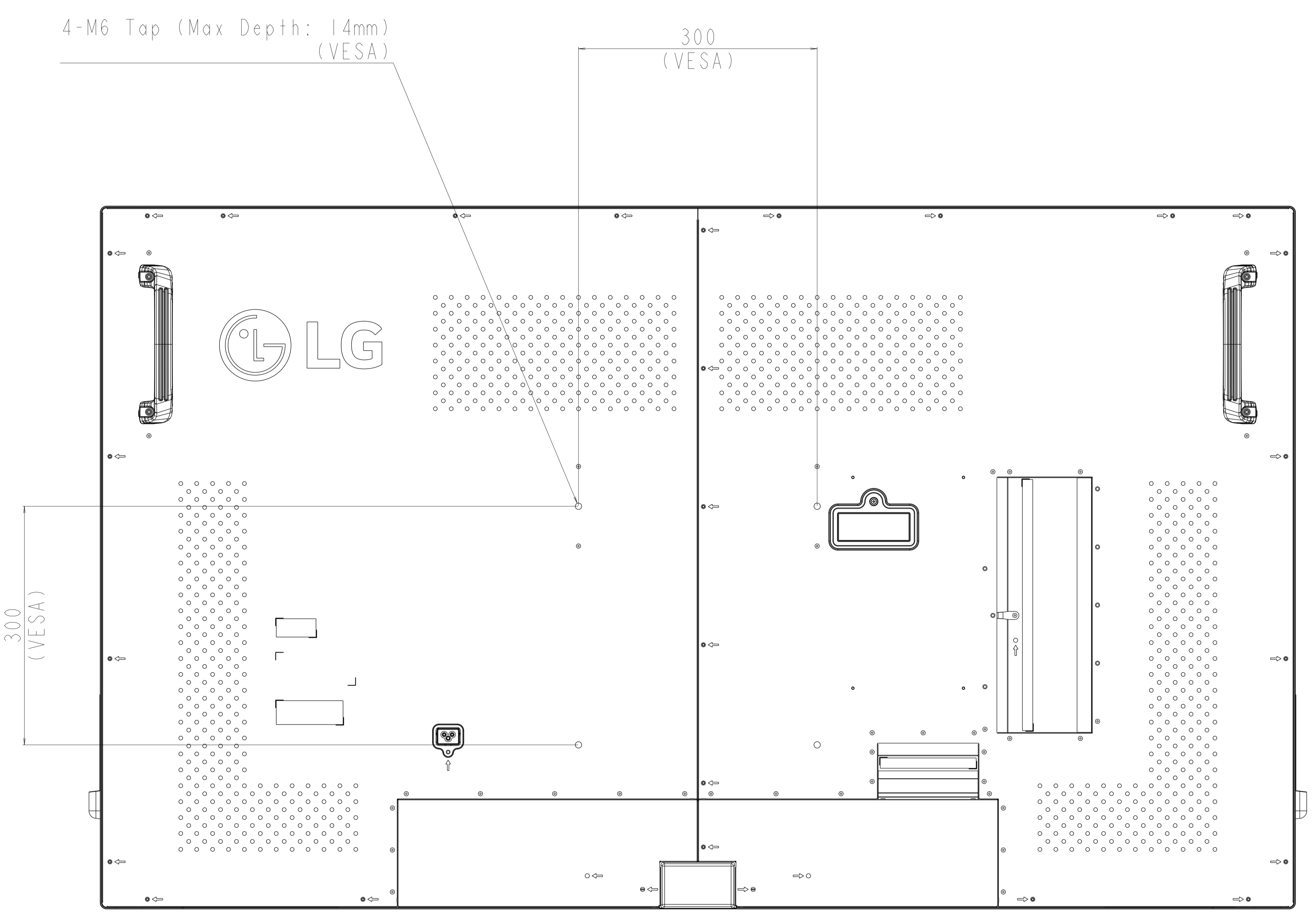
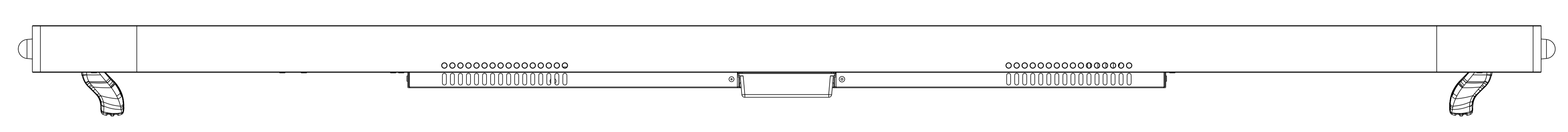
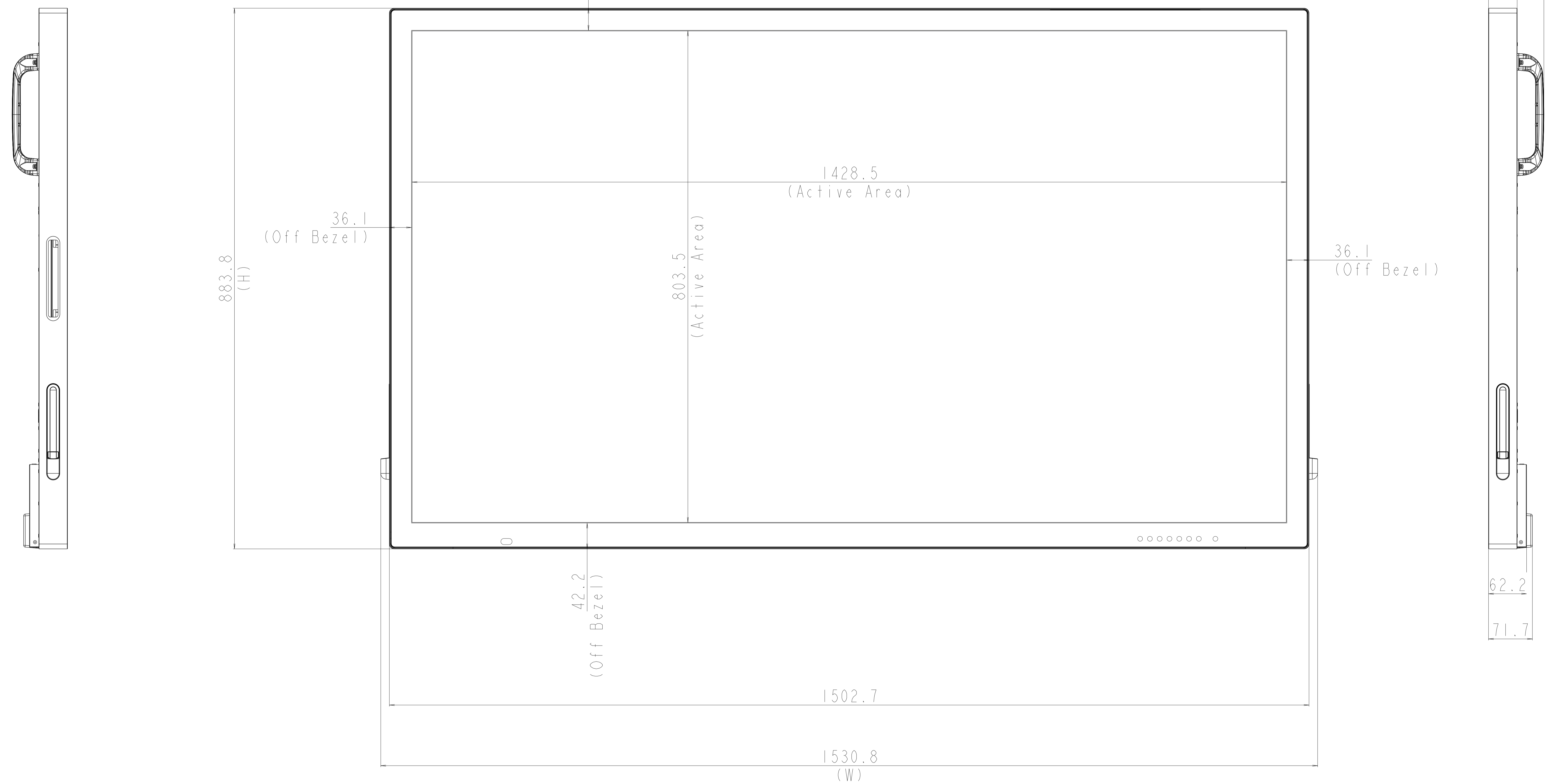
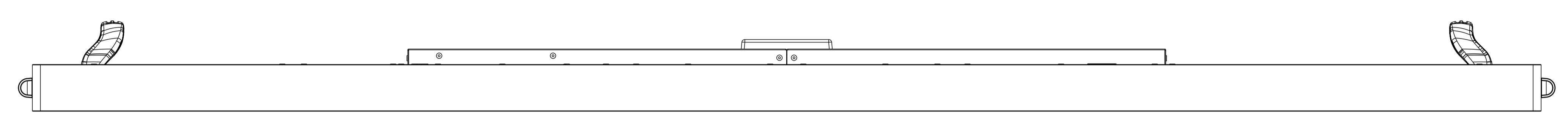


NO.	DESCRIPTION	PART NO.	MATERIAL

# 65TC3D\_LAYOUT\_V1.0

Internal Use Only  
 LG Electronics



REV	DATE	BY	CHKD	ECNO	REVISIONS
1					

TITLE: 65TC3D  
 DRAWN:    
 CHECKED:    
 APPROVED:    
 LG Electronics Inc.