

Essential Commercial TV Functionality

LG Public Display TVs are designed specifically for various business environments. With simple user-friendly interfaces and superb images and video, the LV340C series facilitates communications between businesses and their target audiences. Also, the LV340C series supports WOL (Wake on LAN) and SuperSign™ C helping the hotel managers remotely control TVs improving management efficiency.



LV340C

- Public Display Mode
- USB Cloning
- USB Auto Playback +
- RS-232C
- ^{NEW} WOL (Wake on LAN)
- ^{NEW} Crestron Connected® Certified

screen size

- 32" (31.5" Diagonal),
- 43" (42.5" Diagonal),
- 49" (48.5" Diagonal),
- 55" (54.9" Diagonal)

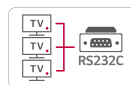


Key Features



Public Display Mode

From channel selection to volume level, you can control the TV settings in business areas. Public Display Mode also enables you to restore default settings, as required, on the TVs.



RS-232C Control

Via the TV's RS-232C port, you can remotely control power and volume settings simultaneously.



WOL (Wake on LAN)

WOL (Wake on LAN) helps you remotely turn on TVs over the internet. Connect TVs and a PC in the same network, and send Magic Packet program to the MAC addresses of registered TVs. Then, it will wake up the TVs via LAN port.

Simple & Effective Maintenance



USB Cloning

Clone all Public Display with astonishing speed and ease. The USB Cloning feature allows you to simply copy the TV settings to all TVs using a USB memory device.



Lock Mode

Lock Mode blocks external input signals with non-compliant content. This is a useful feature for preventing misuse of TVs in various facilities or public spaces.



Self Diagnostics via USB

Enables service engineers to analyze the data and identify technical issues quickly and easily through a USB memory device.

Convenience & Entertainment



USB Auto Playback+

Create a media playlist of your choosing (video, music, and/or images). Save it to a USB memory device, and then simply connect the USB memory device to the TV to stream your playlist sequentially.



SuperSign™ C

With SuperSign C, LG's signage management software, you can control and remotely monitor TVs via LAN port.



Welcome Screen (Splash Image)

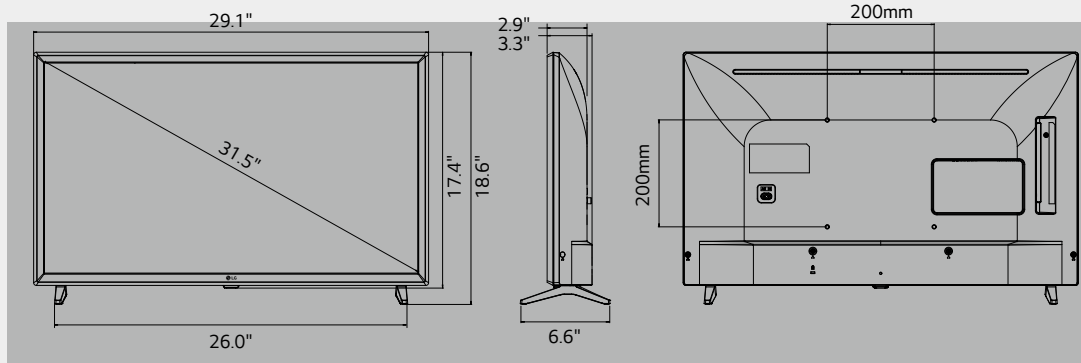
Display a warm greeting message with your business name/logo on the TV when it is turned on. Welcome screen leaves a favorable impression on visitors.

Essential Commercial TV Functionality

Dimensions

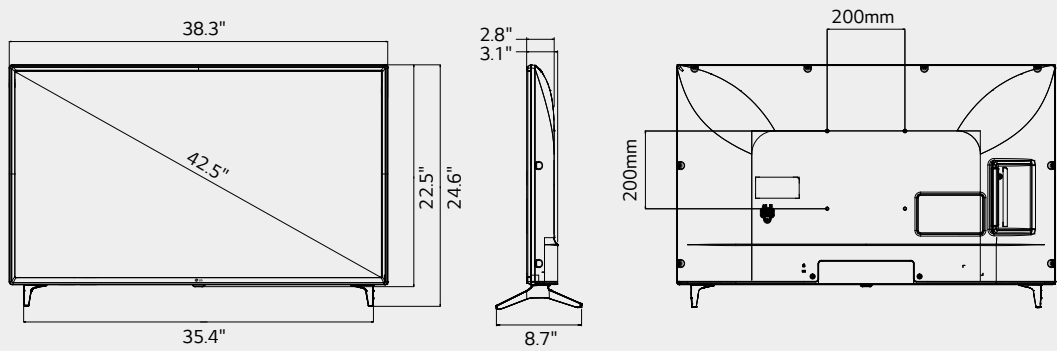
32"

29.1" x 18.6" x 6.6" /
10.8lb



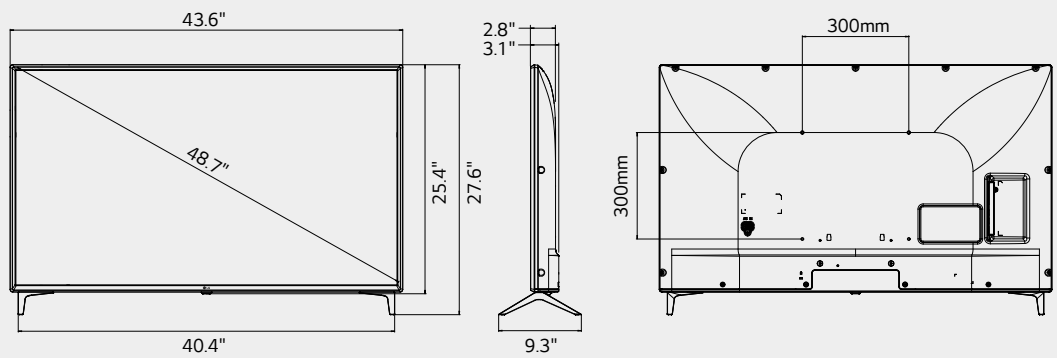
43"

38.3" x 24.6" x 8.7" /
20.5lb



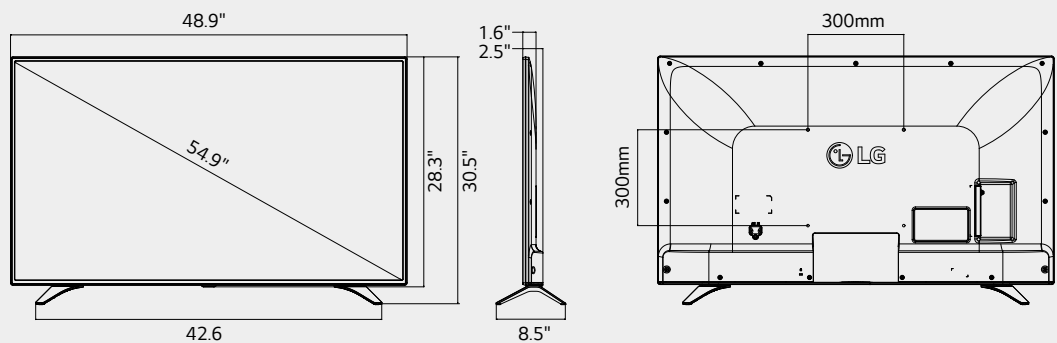
49"

43.6" x 27.6" x 9.3" /
25.2lb



55"

48.9" x 30.5" x 8.5" /
36.6lb

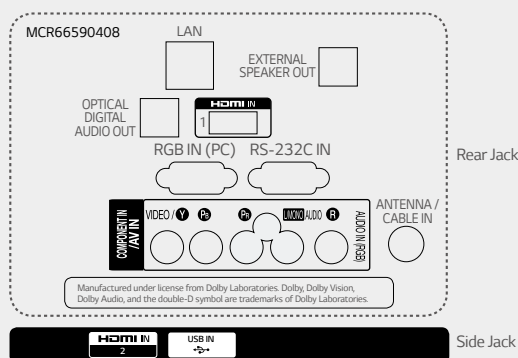


Essential Commercial TV Functionality

Specifications

		32	43	49	55
DISPLAY	Diagonal Size	31.5"	42.5"	48.7"	54.9"
	Type	Direct LED			Edge LED
	Resolution	1,366 x 768 (HD)	1,920 x 1,080 (FHD)		
	Brightness	240cd/m ²	400cd/m ²		
	Viewing Angle Degree	178° / 178°			
	Response Time (G to G)	9			
	Frame Rate	60 Hz			
BROADCASTING SYSTEM	Analog	NTSC			
	Digital	ATSC / VSB / Clear QAM			
VIDEO	Triple XD Engine	•			
	Real Cinema 24p (3:3 Pull down)	•			
	Dynamic Color Enhancer	•			
	Aspect Ratio	6 modes (16:9, Just scan, Set by program, 4:3, Zoom, Cinema Zoom 1)			
AUDIO	Audio Output / Speaker System	5W + 5W / 2.0 ch	10W + 10W / 2.0 ch		
	Sound Mode	6 modes (Standard, News, Music, Cinema, Sport, Game)			
	Optical Sound Sync	•			
	Clear Voice	•			
GENERAL FEATURES	Installation	USB Cloning			
	Management	WOL (Wake On LAN), SNMP, USB Diagnostics, Multi IR Code, HTNG/HDMI-CEC* *HDMI-CEC : Compatibility can differ by equipment.			
	USB	USB Auto playback+, Moving Picture Playback (.asf, .wmv, .divx, .avi, .mp4, .m4v, .mov, .mpg, .mpeg, .mpe, etc.), Picture (jpeg, jpg, jpe, BMP, PNG), Audio Codec (MP3, AAC, M4A, WMA, WMA 10 pro, OGG)			
	Setting Option	Auto Off / Sleep Timer, Smart Energy Saving, Motion Eye Care			
HOSPITALITY FEATURES	PDM (Public Display Mode), Lock Mode, Welcome Screen (Splash Image), Insert Image, External Speaker Out, RJP Compatibility, Crestron Connected® Certified, Time Scheduler				
INTERFACE	Side	HDMI In, USB 2.0			
	Rear	RF In, AV In (Sharing with Component In), Component In + Video, Optical Video Audio Out, HDMI/HDPCP In, RGB In, PC Audio Input (Sharing with Component Audio), RS-232C In, RJ45 (SNMP), External Speaker Out			
DIMENSION	Bezel Width (L / R, U, B) : on bezel based (mm)	14.8, 14.8, 17.7	10, 10, 15.2	10, 10, 15.2	12.9, 12.9, 15.9
	Bezel Width (L / R, U, B) : off bezel based (mm)	13, 13, 15.8	8.5, 8.5, 13.7	8.5, 8.5, 13.7	10.4, 10.4, 13.4
	Vesa (mm)	200 x 200		300 x 300	
	WxHxD / weight (with stand)	29.1" x 18.6" x 6.6" / 10.8lb	38.3" x 24.6" x 8.7" / 20.5lb	43.6" x 27.6" x 9.3" / 25.2lb	48.9" x 30.5" x 8.5" / 36.6lb
	WxHxD / weight (Carton)	32.0" x 20.1" x 5.6" / 13.4lb	41.7" x 26.0" x 6.0" / 24.9lb	47.0" x 30.3" x 6.2" / 29.8lb	53.5" x 32.9" x 6.0" / 47.0lb
POWER	Voltage, Hz	100-240V, 50 / 60 Hz			
	Typical (Watts)	16.5	33.0	37.0	49.0
	Stand-by (Watts)	0.5 ↓			
STANDARD APPROVAL	Safety	UL			
	Environment	FCC			
	Etc.	RoHS, UL, NOM, ENERGY STAR® Qualified			
UPC	719192611856	719192611849	719192611832	719192611825	

Connectivity

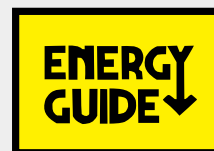


Commercial Grade Stand

The estimated annual energy cost determined in accordance with 16 CFR Part 305.5 for model 32LV340C, 43LV340C, 49LV340C and 55LV340C are \$4, \$8, \$10, and \$12 respectively.

"Your energy cost depends on your utility rates and use. The estimated cost is based on 12 cents per kWh and 5 hours of use per day. For more information, visit www.ftc.gov/energy/."

FTC Television labeling rule (18 CFR Part 305, as added by 76 Fed. Reg. 1038 (Jan 6, 2011)).





Download LG Commercial Display Mobile App



Learn more www.LG.com/us/commercial

You  youtube.com/c/LGCommercialDisplay

All screen images are simulated. Dimension and weights are approximate.
Design, features and specifications subject to change without notice.

© Copyright 2017 LG Electronics Inc. All Rights Reserved. Pro:Centric, the "LG" logo, XD Engine are registered trademarks or trademarks of LG Electronics Inc. Pro:Idiom is a registered trademark of Zenith Electronics LLC. All other trademarks or registered trademarks are the property of their respective owners.