

Essential Commercial TV with Multiple Use

LG Commercial Lite TVs are designed specifically for hospitality and business environments. With the use of simple user-friendly interfaces and superb images and video, the LW340C facilitates communications between businesses and their target audiences.



LW340C

- USB Cloning
- RS-232C
- USB Auto Playback +
- Time scheduler
- Welcome Screen/Video

screen size

32", 43"

Key Features



USB Cloning

Clone all commercial TVs with astonishing speed and ease. The USB Cloning feature allows you to simply copy the TV settings to all TVs using a USB memory device.



USB Auto Playback+

Create a media playlist of your choosing (video, music, and/or images), save it to a USB memory device, and then simply connect the USB memory device to the TV to stream your playlist sequentially.



Time Scheduler

Create your own time scheduler of your Commercial TV. Once you set opening/closing hours and holidays, the TV will turn on/off according to work schedule.

Simple & Effective Maintenance



Hotel Mode

From channel selection to volume setting, you can control the TV settings in all the rooms with Hotel Mode. Prevent misuse by customers, set volume limits, or reset settings to default for any TV. You are in control of it all.



Lock Mode

The Lock Mode blocks external input signals with non-compliant content. A useful feature for preventing misuse of TVs in various facilities or public spaces.



Remote Diagnostics (USB)

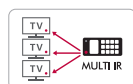
Enables service engineers to recognize technical issues in a TV quickly and easily through a USB. The TV stores any technical issues encountered and can output them to a USB device. Service engineers use this information to analyze technical issues without the actual TV.

Entertainment & Convenience



Welcome Screen/Video

With the capability to display repeatedly various video formats as well as images, Commercial Lite TVs allow for a greater variation of greeting messages in hotel rooms which make customers feel more welcome and cared for.



Multi IR

Multi IR function eliminates the remote control signal interference between TVs in multiple dwelling beds. This system will work using the same LG TV model.



IR OUT

Just connect your interactive set-top-box to LG Commercial TV. With a single remote control, the LG TVs in your hotel solution fall under your control.

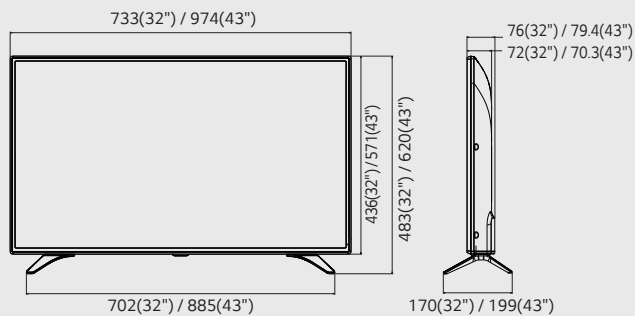
Specifications

LW340C (SCA ISDB-T)

		32	43
DISPLAY	Type	Direct LED	
	Resolution	1,366 X 768 (HD)	1,920 x 1,080 (FHD)
	Brightness	300cd/m ²	
BROADCASTING SYSTEM	Analog	PAL-M/N, NTSC-M	
	Digital	ISDB-T	
VIDEO	Triple XD Engine	•	
	Real Cinema 24p (3:3 Pull down)	•	
	Aspect Ratio	7 modes (16:9, Just Scan, Set by Program, 4:3, Zoom, Zoom2, Cinema Zoom1)	
AUDIO	Audio Output	10W + 10W	
	Speaker System	1 Way 2 Speakers	
	Sound Mode	6 modes (Standard, News, Music, Cinema, Soccer, Game)	
	Clear Voice	•	
GENERAL FEATURES	Management	Remote Diagnostics (USB)	
	Interactivity	HTNG / HDMI-CEC	
	Connectivity	MHL	
	RJP Interface	RS-232C, HDMI-CEC	
	Advanced Settings	Auto Off / Auto Sleep, Motion Eye Care, Smart Energy Saving	
	Anti-theft System	Kensington Lock	
COMMERCIAL FEATURES	Welcome Screen/Video, Lock Mode, Hotel Mode, Multi-IR Code, USB Cloning, IR OUT, USB Auto Playback+, Time Scheduler		
INTERFACE	Side	HDMI In, USB 2.0	
	Rear	RF In, AV In (Share with Component), Component In (+Audio), Optical Audio Out, HDMI/HDCP Input, RGB In, PC Audio input (Share with Component Audio), RS-232C	
CABINET (Unit : mm)	Vesa	200 x 200	
	Bezel Width (L/R,U,B) : On bezel based	14.1, 13.6, 19.1	12.1, 12.1, 15.1
	Bezel Width (L/R,U,B) : Off bezel based	11.6, 11.1, 16.6	9.8, 9.8, 12.8
	W x H x D / weight (w/o stand)	733 x 436 x 72.2 (SPK 76.3) / 4.94kg	974 x 571 x 70.3 (SPK 79.4) / 9.2kg
	W x H x D / weight (with stand)	733 x 483 x 170 / 5.1kg	974 x 620 x 199 / 9.5kg
	W x H x D / weight (packing)	812 x 520 x 142 / 7.0kg	1,060 x 660 x 152 / 11.7kg
POWER (Unit: Watts)	Voltage, Hz	110-240V, 50 / 60 Hz	
	Max	67	86
	Typical	42	62
	Energy saving (Min)	34	50
	Energy saving (Med)	24	35
	Energy saving (Max)	13	19
STANDARD APPROVAL	Stand-by	0.3J	
	Safety	CB	
	Etc.	RoHS	

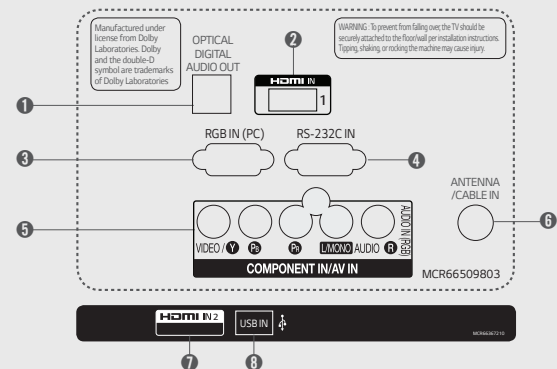
Dimensions (Unit : mm)

32" / 43"



Connectivity

- ① OPTICAL DIGITAL AUDIO OUT
- ② HDMI IN 1
- ③ RGB IN (PC)
- ④ RS-232C IN
- ⑤ COMPONENT IN / AV IN
- ⑥ ANTENNA / CABLE IN
- ⑦ HDMI IN 2
- ⑧ USB IN



Download LG Commercial Display Mobile App



More info www.lgcommercial.com

YouTube youtube.com/c/LGCommercialDisplay

All screen images are simulated. Dimension and weights are approximate.

Design, features and specifications subject to change without notice.

Copyright © 2016 LG Electronics Inc. All rights reserved. "LG Life's Good" is a registered trademark of LG Corp.

The names of products and brands mentioned here may be the trademarks of their respective owners.

