

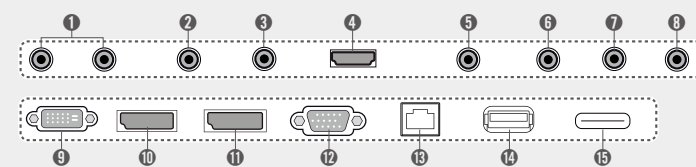
Specifications

LS75C/73C Series		55LS75C/73C	49LS75C/73C	42LS75C/73C
PANEL				
Screen Size		54.64 inches (1387.80mm) diagonal	48.50 inches (1232.00mm) diagonal	41.92 inches (1064.67mm) diagonal
Panel Technology		IPS	IPS	IPS
Aspect Ratio		16:9	16:9	16:9
Native Resolution		1,920 x 1,080 (FHD)	1,920 x 1,080 (FHD)	1,920 x 1,080 (FHD)
Brightness		700cd/m ² (LS75C), 500cd/m ² (LS73C)	700cd/m ² (LS75C), 500cd/m ² (LS73C)	700cd/m ² (LS75C), 500cd/m ² (LS73C)
Contrast Ratio		1,300:1	1,300:1	1,300:1
Viewing Angle (H x V)		178 x 178	178 x 178	178 x 178
Response Time		1ms (G to G), 8ms (MPRT)	8ms (G to G BW) typ.	8ms (G to G BW) typ.
Surface Treatment		Hard coating (3H), Anti-glare treatment of the front polarizer (Haze 10%)	Hard coating (3H), Anti-glare treatment of the front polarizer (Haze 10%)	Hard coating (3H), Anti-glare treatment of the front polarizer (Haze 10%)
Life time (Typ.)		50,000 Hrs min.	50,000 Hrs min.	50,000 Hrs min.
Operation Hours		24 Hrs / 7 Days	24 Hrs / 7 Days	24 Hrs / 7 Days
Orientation		Portrait & Landscape	Portrait & Landscape	Portrait & Landscape
CONNECTIVITY				
Input		HDMI (2), DP, DVI-D, Audio in, OPS		
External Control		RS232C in/out, RJ45, IR / Light sensor, Pixel sensor, USB 3.0		
Output		DP, External Speaker out		
Bezel Color		Black	Black	Black
Bezel Width		7.4 mm (T/L/R/B even)	7.4 mm (T/L/R/B even)	7.4 mm (T/L/R/B even)
Monitor Dimension (W x H x D)		1,230 x 714 x 32 mm	1,095 x 637 x 32 mm	949 x 555 x 32 mm
Weight (Head)		20.7 kg	15.6 kg	12.5kg
PHYSICAL SPECIFICATION				
Monitor with Optional Stand Dimensions (W x H x D)		1,230 x 776 x 298 mm	1,095 x 700 x 298 mm	949 x 618 x 298 mm
Weight (Head+Stand)		22.1 kg	17.0 kg	13.9 kg
Carton Dimensions (W x H x D)		1,330 x 815 x 174 mm	1,197 x 760 x 134 mm	1,045 x 645 x 127 mm
Packed Weight		25.2 kg	18.7 kg	14.8 kg
VESA™ Standard Mount Interface		400 x 400 mm	400 x 400 mm	400 x 400 mm
SPECIAL FEATURES		Temperature sensor, Auto brightness sensor, Tile Mode, DPM select, DPM wake up, Energy saving, Smart energy saving, File play with USB, PIP/PBP(2), Internal memory 16GB (System 4GB + Available 12GB), Wi-Fi dongle ready (802.11n), USB cloning, Fail over		
ENVIRONMENTAL CONDITIONS				
Operating Temperature		0°C to 40°C	0°C to 40°C	0°C to 40°C
Operating Humidity		10% to 80%	10% to 80%	10% to 80%
POWER				
Power Supply		100-240V~, 50/60Hz	100-240V~, 50/60Hz	100-240V~, 50/60Hz
Power Type		Built-In Power	Built-In Power	Built-In Power
Power Consumption	Typ.	140 W (TBD)	125 W (TBD)	110 W (TBD)
Consumption	Smart Energy Saving	100 W (TBD)	90 W (TBD)	80 W (TBD)
STANDARD (CERTIFICATION)				
Safety		UL / cUL / CB / TUV / KC	UL / cUL / CB / TUV / KC	UL / cUL / CB / TUV / KC
EMC		FCC Class "A" / CE / KCC	FCC Class "A" / CE / KCC	FCC Class "A" / CE / KCC
ErP / Energy Star		NA / Yes (Energy Star 7.0)	NA / Yes (Energy Star 7.0)	NA / NA
MEDIA PLAYER COMPATIBILITY				
OPS Type Compatible		Yes	Yes	Yes
External Media Player Attachable		Yes (MP500/MP700)	Yes (MP500/MP700)	Yes (MP500/MP700)
SOFTWARE COMPATIBILITY				
SuperSign W/Lite		Yes	Yes	Yes
SuperSign C		Yes	Yes	Yes
ACCESSORIES				
Basic		Remote controller (2ea batteries included), Power cord, IR/Light sensor receiver, QSG, Regular book (depend on regional standard), HDMI cable		
Optional		SP-2100 (External speaker), ST-200T, LSW440S, AN-WF500 (Wi-Fi USB dongle), KT-OPSA (OPS kits), KT-SPO (Pixel sensor)		

Connectivity

- 1 SPEAKER OUT
- 2 IR & LIGHT SENSOR
- 3 PIXEL SENSOR
- 4 HDMI
- 5 RS-232C IN
- 6 RS-232C OUT
- 7 AUDIO IN
- 8 AUDIO OUT
- 9 DVI-D IN
- 10 DP IN
- 11 DP OUT
- 12 RGB IN
- 13 LAN
- 14 USB 3.0
- 15 SD

55LS75C/LS73C, 49LS75C/LS73C, 42LS75C/LS73C



Download LG Commercial Display Mobile App



Learn more www.lg.com/b2b or www.lgcommercial.com

YouTube [youtube.com/c/LGCommercialDisplay](https://www.youtube.com/c/LGCommercialDisplay)

LG may make changes to specifications and product descriptions without notice. Copyright © 2016 LG Electronics Inc. All rights reserved. "LG Life's Good" is a registered trademark of LG Corp. The names of products and brands mentioned here may be the trademarks of their respective owners.



Smart Platform with a Powerful Embedded System-on-Chip Standard Premium LS75C/73C Series



The LS75C/73C Series, webOS signage, allows for customized apps that are easy to create using LG's Software Development Kit. The built-in Wi-Fi and SoC reduce the total cost of ownership and simplify installation, allowing you to manage content more conveniently. The LS75C/LS73 series strengthens capability in supporting various network-based protocols.

Key Features

Smart Platform



Quad Core SoC*

The high-performance SoC can execute several tasks at the same time and provides smooth content playback.



*System-on-Chip

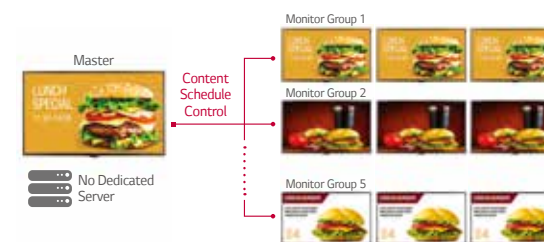
webOS 3.0

The webOS 3.0 platform provides powerful and convenient creation tools, including app development materials.



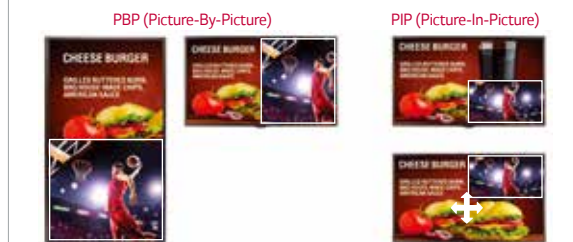
Group Manager

Content can be created, distributed and controlled by a signage without a dedicated PC or server.



PBP (Picture-By-Picture) / PIP (Picture-In-Picture)

PBP (Picture-By-Picture) and PIP (Picture-In-Picture) features enable you to compose various layouts for several digital devices.



Smart Platform with a Powerful Embedded System-on-Chip

Standard Premium LS75C/73C Series



Screen Sizes

55"/49"/42"

LS75C/73C Series

- Brightness : 700 cd/m² (LS75C) / 500 cd/m² (LS73C)
- Bezel : 7.4 mm Even Bezel
- Depth : 32 mm
- Interface : HDMI (2) / DVI / DP / RGB / RJ45 / IR / Light Sensor / RS232C / Pixel sensor / USB 3.0 / Audio In

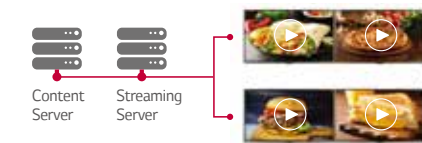


Key Features

Support Network Protocol

IP Streaming Protocol

Various types of IP video streaming protocol are supported, such as RTSP/RTP, MMS, HLS and MPEG-2 TS*.



*RTSP (Real-Time Streaming Protocol), RTP (Real-time Transport Protocol), MMS (Microsoft Media Server), HLS (http live streaming)

Secure Communication Protocol

By supporting HTTPS* protocol, communication between server and signage is more secure.



*HTTPS: Hypertext Transfer Protocol over Secure Socket Layer

Proxy Server

Web access speed and security can be improved by supporting Proxy Server (A server that acts as an intermediary for requests from clients seeking resources from other servers.)



Built-in Wi-Fi

Mirroring

Content sharing is more convenient on a Wi-Fi network.



Soft AP

The LS75C/LS73C with Soft AP software can operate as a wireless access point for mobile devices.



Simple Installation

Installation has been simplified by removing the external media player and Ethernet/RS232C cables.



Wi-Fi (removing Ethernet or RS232C cables) 802.11n (2.4 GHz/5 GHz)

Supportive Convenience

BEACON

With BEACON and Bluetooth Low Energy (BLE) supported by LS75C/LS73C*, retail stores can provide coupons and information in real time. When Wi-Fi dongle is connected, the BEACON is available.



* LS75C/LS73C is enhanced to support ibeacon** and Eddystone***
** iBeacon: Bluetooth Low Energy beacon profile released by Apple in 2013
*** Eddystone: Bluetooth Low Energy beacon profile released by Google in 2015

Industrial Design

Slimmer Even Bezel & Depth

The thinner bezel & depth allows a perfect fit for a sleek look.



Detachable Logo

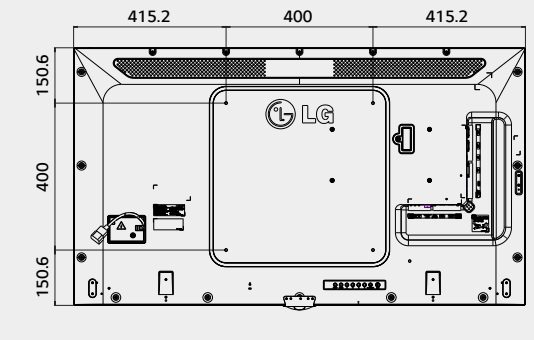
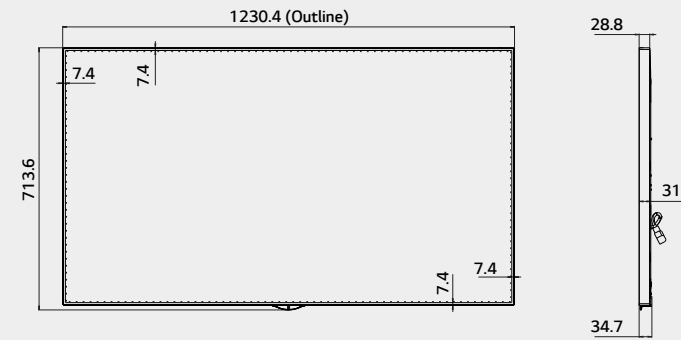
Portrait mode allows the logo to be positioned in the desired setting.



Dimensions (unit: mm)

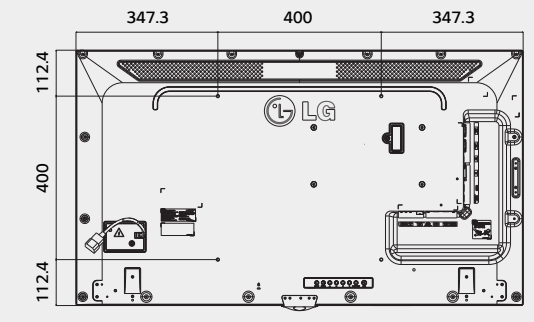
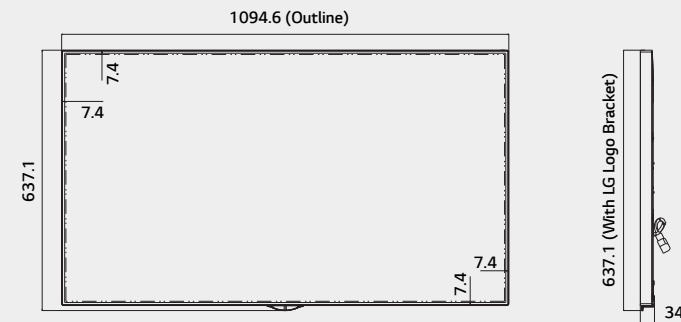
55"

1,230 x 714 x 32 / 20.7 kg



49"

1,095 x 637 x 32 / 15.6 kg



42"

949 x 555 x 32 / 12.5 kg

