



Smart Customization

LG Pro:Centric Smart offers extended customizable tools; HTML5, Java and Flash so our partners can optimize Hotel TVs to develop their own enhanced service design. Besides own designed essential TV service, guests can be served with bandwidth-worry-free pre-loaded applications without privacy concern thanks to LG's advanced history auto deletion SW.

Customizable UI	Pre-loaded Application	History Auto-Delete

Extended Connectivity

Commercialized connectivity is ever revolutionized with Smart Share such as Smart Mirroring, WiDi and Smart Share which enables guests to play and view content from their digital devices on their in-room TVs. Let your guests surf the internet just like at home with LG's easy-to-use Motion Remote controller and web-browser function.

Smart Mirroring/WiDi	Smart Share	Web Browser	Motion RCU

Cost Savings

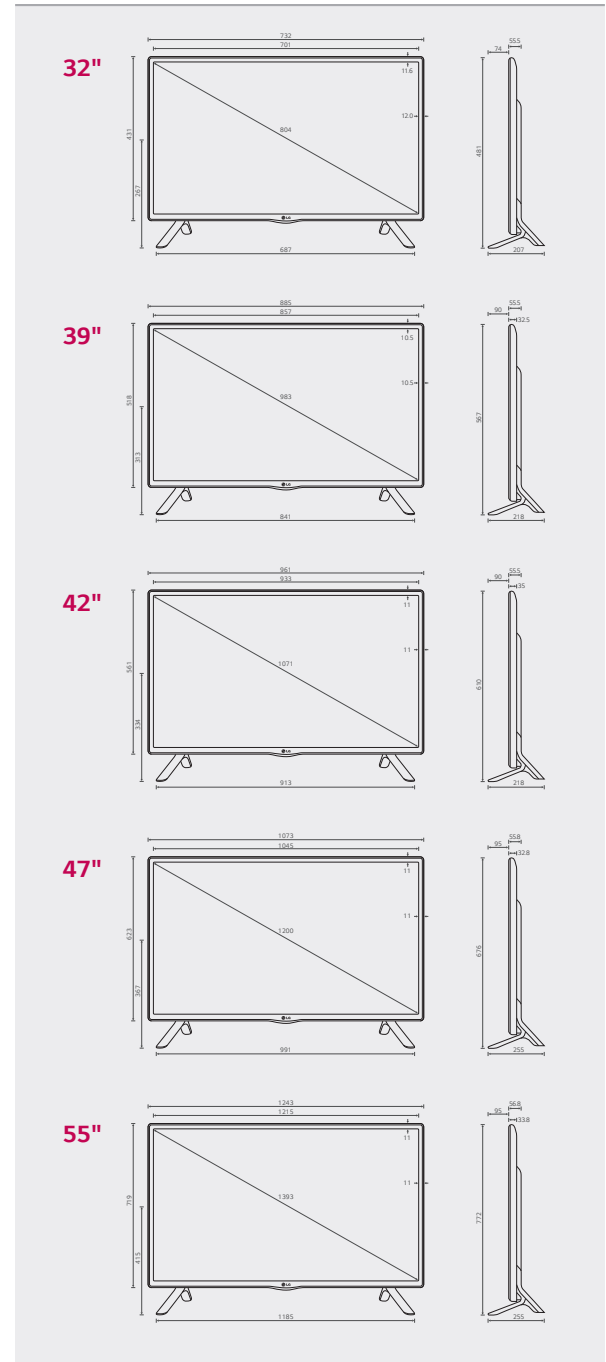
Save big on the expenses of managing the Hotel TVs with LG's unique STB integrated solution and IP over Coax. Real-time remote diagnosis report helps you to detect error in advance to prevent TVs from being any malfunctions.

STB Built-in	Remote Diagnosis

Specification

	MODEL NAME	LY750H
	Inch	32"/39"/42"/47"/55"
	Category	Pro:Centric Smart
	Production Model	32"/39"/42"/47"/55" LY750H-ZA
	Resolution	1920 x 1080 (FHD)
	Frame Rate	50/60Hz
Broadcasting System	Analog	• (PAL/SECAM)
	Digital	•
	Terrestrial	DVB-T
	Cable	DVB-C
Video	XD Engine	•
	Real Cinema 24p (3:3 pull down)	•
	Aspect Ratio	• 8 modes (16:9, Just scan, Original, Full Wide, 4:3, 14:9, Cinema Zoom 1, Zoom)
Audio	Audio Output	10W + 10W
	Speaker System	1 Way 2 Speaker
	Sound Mode	• 7 modes (Standard, News, Music, Cinema, Sports, Game, User setting)
	Wireless Sound Sync	•
Feature	Clear Voice	•
	Pro:Centric	• (Smart)
	Hybrid Streaming (IP & RF)	•
	※MultiCast/HTTP Data Carousel	•
	Pro:Centric Application	• (PCA1.5)
	RF(1/2Tuner)	• (1 Tuner)
	Web Browser	•
	HCAP (GEM/FLASH/HTML)	GEM / Flash / HTML
	※Service Carousel (TLL/XML)	•
	EzManager(Simplicity)	• (EzManager 2.0)
	Remote Diagnosis	•
	Remote Management	•
	Multicast/Unicast ready	• (PCS150R Compatible)
	Commercial Smart UX (Smart Home / Input)	•
	Commercial Smart Home	•
	APP(P:C Smart)	•
	Web Browser	•
	Magic Remote	•
	Remote App compatibility	•
	Smart Share	•
	DLNA(Movie/Photo/Music)	• (Smart Share)
	WiDi (PC to TV)	•
	Miracast (Mobile to TV)	• (Smart Mirroring)
	WiFi Direct	•
	HDMI-CEC	•
	HTNG-CEC 1.3	• (1.3)
	Pro:Idiom	•
	Instant ON	•
	WOL/WoWLAN	•/•
	SI Compatible (TVLink Interactive)	• (TV Link Interactive)
	WiFi	• (Built-in type)
	3D	-
	LED Clock / Buzzer / Alarm	• (sold seperately)
	Soft AP	•
	External AP Ready	•
	AP Box Ready (IP Over Coax)	•
	Hotel Mode / PDM / Installer Menu	•
	Smooovie	•
	Lock mode	•
	IR Out	• (RS-232C , HDMI)
	External Speaker Out	• (Int / Ext Variable/Fixed, 3.5mm, Stereo, Single ended Type(GRD L+,R+), 1W with 8Ω), Line out
	RJP Interface	• (RS232C, HDMI CEC)
	RJP Compatibility	• LG/Teleadapt (RS232C), Teleadapt/Guestlink (HDMI CEC)
	External Power	• (RS-232C, 5V/2A or 12V/1A)
	USB	• Exclusively selectable
	• Moving Picture Playback (SD/HD/Plus HD)	• (USB 2.0)
	• Picture	Divx HD
	• Audio Codec	JPEG
	USB Cloning	MP3, AC3, MPEG, AAC,HEAAC, CDDA, LPCM
	One Channel Map / Logical Channel Map	•
Multi IR Code	•	
Welcome Screen (Splash Image)	•	
Auto Off / Auto Sleep	•	
Smart Energy Saving	•	
Digital eye (light sensor)	•	
Anti-theft System	•	
• Kensington Lock	•	
Interface	Image (Rear / Side)	
	Set Side	
	Headphone Out	1
	HDMI In	1(W/O MHL)
	USB (2.0)	2(USB 2.0)
	CI Slot	1
	Set Rear	
	Full Scart	1
	Digital Audio Out (Coaxial / Optical)	1 (Optical)
	HDMI/HDPC Input	1
	RS-232C(D-Sub 9pin)	1
	Clock Interface	1 (D-SUB 15Pin)
	LAN Port	2
External Speaker Out(3.5mm phone jack)	2 (Spk-out 1, Vol. Control 1)	
Power	Voltage, Hz	100 ~ 240V, 50/60Hz
	Stand-by	0.3W ↓

Dimension



Rear Jack Panel

