

Specifications

SMART HYBRID COOLER		49WEC-CB	32WEC-DB
PANEL	Screen Size	49"	32"
	Panel Technology	IPS (M+)	IPS (M+)
	Transmittance	9.50%	8.63%
	Aspect Ratio	16:9	16:9
	Native Resolution	1,920 x 1,080 (FHD)	1,920 x 1,080 (FHD)
	Brightness	100 cd/m ² (Typ), 80 cd/m ² (Min) / (Integrated with protection glass + white reflector sheet (TXD-225))	100 cd/m ² (Typ), 80 cd/m ² (Min) / (Integrated with protection glass + white reflector sheet (TXD-225))
	Color Depth	16.7 Million	8 bit, 16.7 Million
	Response Time (Typ)	9 ms (G to G BW)	9ms (G to G BW)
	Orientation	Portrait	Portrait
	Input	-	HDMI
CONNECTIVITY	Output	-	Audio
	External Control	IR Receiver, USB	RS232C, RJ45, IR Receiver, USB
	Bezel Color	Silver	Dia Black
PHYSICAL SPECIFICATION	Bezel Width	184.6 mm (T), 223.6 mm (D), 60 mm (L/R)	124.8 mm (T), 123.3 mm (B), 117.3 mm (L/R)
	Cooler Dimension	730 x 773 x 1,861 mm	636.7 x 651 x 1,045.5 mm
	Net Weight	114 kg	75 kg
	Carton Dimensions	765 x 801 x 2,037.5 mm	751 x 699 x 1,195
	Packed Weight	162 kg	88.7 kg (TBD)
SPECIAL FEATURES	Handle	Yes	Yes (Door side Mold Cover)
		Temperature Sensor, File Play with USB, Internal Memory 8 GB (System 4 GB + Available 4 GB), Wi-Fi (In-Box), USB Cloning	Temperature Sensor, File Play with USB, Internal Memory 8 GB (System 4 GB + Available 4 GB), Wi-Fi (In-Box), USB Cloning
ENVIRONMENT CONDITIONS	Operation Temperature	5°C to 35°C	5°C to 35°C
	Operation Humidity	10% - 80%	10% - 80%
	Power Supply	220-240V-50Hz 2.5 A	220-240V-50Hz TBD A
POWER	Power Type	Adaptor (Built-in)	Adaptor (Built-in)
	Power Consumption (Typ/Max)	300Wh (Typ), 450Wh (Max) - Test Condition : Normal Temperature (25 +/- 2°C) : Keep the door closed condition. Do not allowed door open/close.	TBD (Typ), TBD (Max) - Test Condition : Normal Temperature (25 +/- 2°C) : Keep the door closed condition. Do not allowed door open/close.
STANDARD (CERTIFICATION)	Safety	CE	CE
	EMC	CE	CE
	ErP / Energy Star	N/A	TBD
SOFTWARE COMPATIBILITY	SuperSign W/Lite	Yes	Yes
	SuperSign C	Yes	Yes
ACCESSORIES	Basic	Remote Controller (including battery 2ea), WiFi Dongle, Anker Bolt(1 set), Rubber Pad(1 2ea)	Remote Controller (including battery 2ea), IR Receiver
	Optional	X	AN-WF500
TRANSPARENT COOLER	Protection Glass	3.2T Tempered Glass	3.2T Tempered Glass
	Hybrid Display	Hybrid / Semi-Transparent	Hybrid / Semi-Transparent
	Brightness Control	Yes	Yes
	Compatible Cooler Body	Premier FRS-500R	Premier TGM-75D
	Sensor	Proximity Sensor (Lower-center door), Door sensor	Proximity Sensor (Lower-center door), Door sensor
COOLER BODY	Volume	479 L	215 L
	Temperature Adjust	0°C - 10.0°C (32°F - 50°F)	0°C - 10.0°C (32°F - 50°F)
	Compressor Power	1/4 HP	1/4 HP
	Shelves	4	3
	Foaming Agent	Cyclopentane	Cyclopentane
	Safety / EMC	CE / CE (Class B)	CE / CE (Class B)
	Manufacturer	TurboAir Korea	TurboAir Korea
	Power Input	220-240V- 50 Hz	220-240V- 50 Hz
	RoHS	RoHS, REACH	RoHS, REACH
	Refrigerant Type	R-134a	R-134a
	Charge	0.220 kg	0.125 kg
	GWP	1,430 (kgCO ₂ -eq)	1,430 (kgCO ₂ -eq)
CO ₂ -Equivalent	0.315 (Ton)	0.179 (Ton)	
Door Lock	None	Yes	
*Contains fluorinated greenhouse gases / *Hermetically sealed			
OPEN FRAME		49WFB	32WFC
PANEL	Screen Size	48.5" diagonal	31.55" diagonal
	Panel Technology	IPS	IPS
	Aspect Ratio	16:9	16:9
	Native Resolution	1,920 x 1,080 (FHD)	1,920 x 1,080 (FHD)
	Transmittance	9.50%	8.63% (center 1point, typ)
	Contrast Ratio	1300	-
	Viewing Angle (H x V)	178 x 178	Viewing angle free
	Color Depth	8 bit, 16.7 Million colors	8 bit, 16.7 Million colors
	Response Time	-	8 ms (G to G)
	Surface Treatment	Hard coating (2H), Anti-reflection treatment of the front polarizer (Reflectance < 2%)	Hard coating (2H), Anti-reflection treatment of the front polarizer (Reflectance < 2%)
CONNECTIVITY	Orientation	Landscape & Portrait	Landscape & Portrait
	Input	LVDS	LVDS
PHYSICAL SPECIFICATION	Color	Black	Black
	Bezel Width	64.1 mm (L), 18.7 mm (D), 18.7 mm (L), 125.86 mm (R)	83.05 mm (L), 17.5 mm (D), 17.5 mm (L), 17.5 mm (R)
	Monitor Dimension (W x H x D)	1,222.34 x 690.8 x 11.2 mm	743.2 x 504.2 x 11.2 mm
	Weight	5.4 kg	2.6 kg
	Carton Dimensions (W x H x D)	1,303 x 771 x 118 mm	834.0 x 570.0 x 114 mm
ENVIRONMENT CONDITIONS	Packed Weight	9.0 kg	3.8 kg
	Operation Temperature	0°C to 40°C	0°C to 40°C
POWER CONSUMPTION	Operation Humidity	10% to 80%	10% to 80%
	Typ.	5.4 W (12V Input)	6.3 W (Typ.) (12V Input)
ACCESSORY		Simple Book (1)	Simple Book (1)

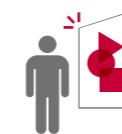
New Concept with Hybrid View LG Smart Hybrid Cooler/Open Frame



49/32WEC is a transparent cooler that allows the customer in the shop to view not only the beverages in the cooler but also the advertisement on the transparent display by a proximity sensor. By eliminating the air gap between the door glass and transparent LCD panel, the LG Smart Hybrid cooler gives unprecedentedly accurate image & color representation. Specially designed for the LG Smart Hybrid cooler, the M+ panel (with additional white pixel & enhanced transparency) renders brighter images for a vivid digital content experience. In short, this transparent cooler is able to strengthen the effectiveness of the advertising displays in the store.

Key Features

Hybrid View



Hybrid View with Proximity Sensor

With proximity sensor enabled, the display switches from advertising mode to transparent mode enabling see-thru view.



Advertising mode : Digital content is vividly shown.



Transparent mode : Products inside the cooler are shown together with digital content.

Advanced Picture Quality



Direct Bonding Technology

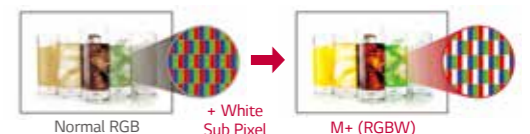
By eliminating air gap between the door glass and transparent LCD panel, the LG Smart Hybrid cooler gives unprecedentedly accurate image & color.



Conventional 49/32WEC

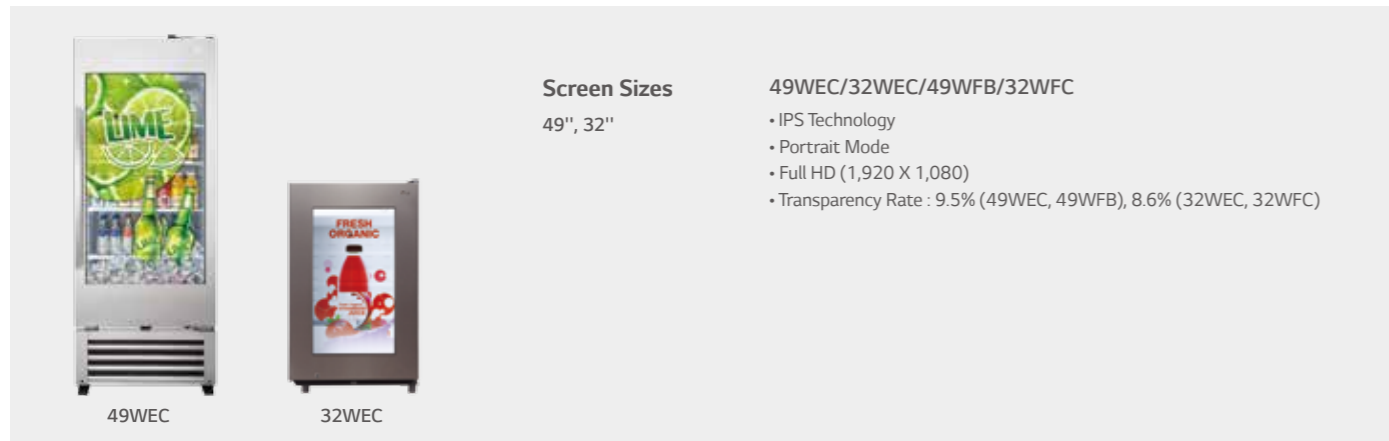
Enhanced Brightness

Specially designed for the LG Smart Hybrid cooler M+ panel (with additional white pixel & enhanced transparency) renders brighter images for a vivid digital content.



New Concept with Hybrid View

LG Smart Hybrid Cooler/Open Frame



Other Features

Easy Content Management

Simple Network Management Protocol

With SuperSign W digital signage solution, you can remotely manage content distribution via the Internet. Built-in SoC* allows you to play content just by uploading the content via USB.

- High Performance SoC
- Content management through SuperSign W
- Play content with WiFi / USB



*SoC : System on Chip

User-convenience

Door Sensor

When the cooler door is opened, the door backlight is adjusted to prevent dazzling.



IR Sensor

Remote control for display menu selection.



Rich Resonance Sound

Built-in speakers (2 x 10 watts) with high efficient acoustic enclosure

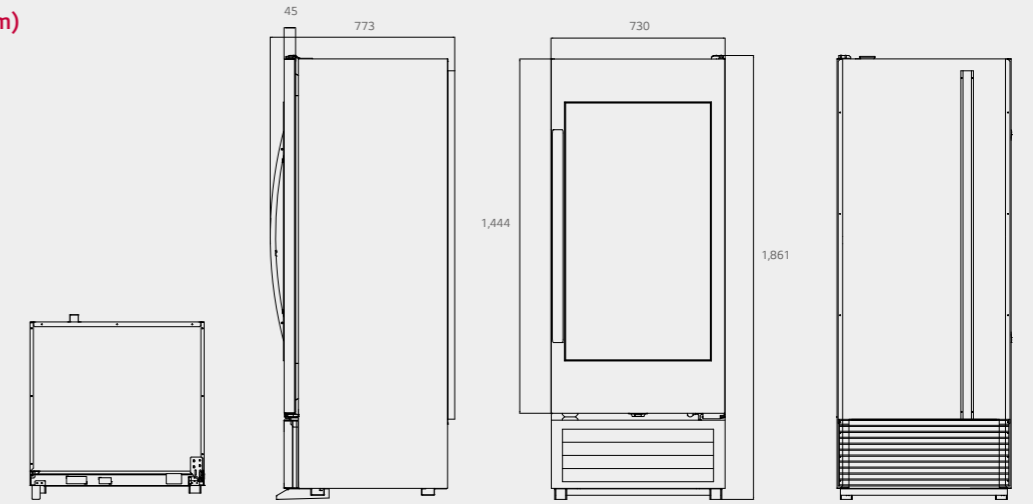


* 49WEC Only

Dimension (unit : mm)

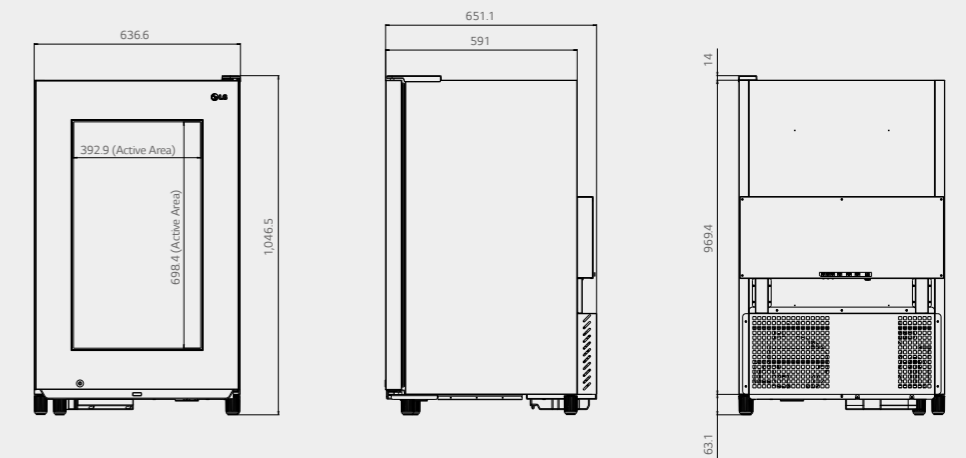
49WEC

730 x 773 x 1,861 /
114 kg



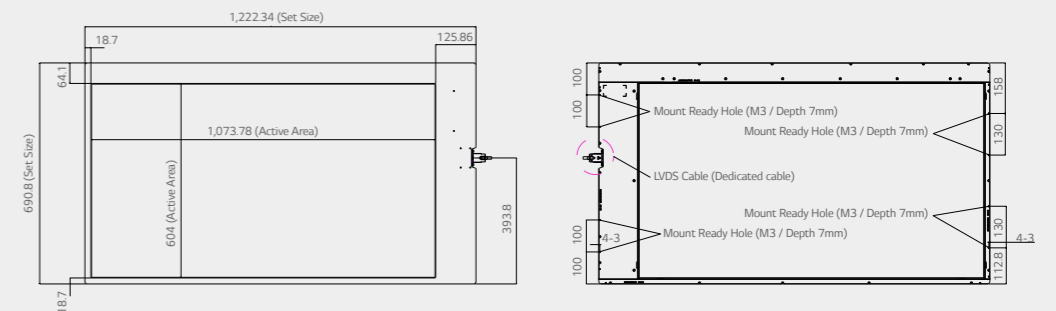
32WEC

636.7 x 651 x 1,045.5 /
75 kg



49WFB

1,222.34 x 690.8 x 11.2 /
5.4 kg



32WFC

743.2 x 504.2 x 11.2 /
2.6 kg

