

UHD Commercial TV

The UV340C series has been designed for a wide variety of business environments and use cases, with UHD/4K resolution that provides an optimal viewing experience. The Crestron Connected® Certification and Display Power Management (DPM) features enable easy remote management. Other management features include Wake-On-Lan (WOL) and Simple Network Management Protocol (SNMP), creating even more flexibility in how the UV340C can be managed.



UV340C

- Ultra HD
- WOL and SNMP
- Crestron Connected® Certified Display
- DPM (Display Power Management)

Screen Sizes

- 43" (42.5" Diagonal)
- 49" (48.5" Diagonal)
- 55" (54.8" Diagonal)
- 65" (64.6" Diagonal)
- 75" (74.6" Diagonal)



Ultra HD TV

4K Upscaler

Enjoy Full HD content in Ultra HD quality. The 4K Upscaler automatically upgrades Full HD content to Ultra HD, through the six steps of the upscaling processes.



Signage Dedicated Features

DPM (Display Power Management)

You can configure the DPM by setting the function to the "on" setting. When there is no signal, the TVs enters to DPM mode to manage power efficiently.









Crestron Connected® Certified Display

The UV340C has earned Crestron Connected® Certification, allowing for seamless integration and easy automated control.



Features

- 
WOL (Wake on LAN)
 WOL helps you remotely turn on TVs over the internet. Connect TVs and a PC in the same network, and send Magic Packet program to the MAC addresses of registered TVs. Then, it will wake up the TVs via LAN port.
- 
SNMP
 SNMP ensures convenient network management for SI and business managers.
- 
RS-232C Control
 Via the TV's RS-232C port, you can remotely control power and volume settings simultaneously.

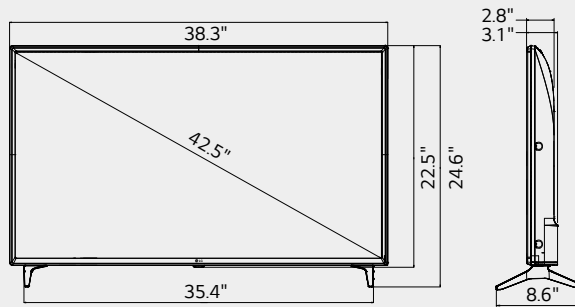
- 
Public Display Mode
 From channel selection to volume level, you can control the TV settings in business areas. Public Display Mode also enables you to restore default settings, as required, on the TVs.
- 
Self Diagnostics via USB
 Enables service engineers to analyze the data and identify technical issues quickly and easily through a USB memory device.
- 
USB Cloning
 Clone all Public Display with astonishing speed and ease. The USB Cloning feature allows you to simply copy the TV settings to all TVs using a USB memory device.

UHD Commercial TV

Dimensions

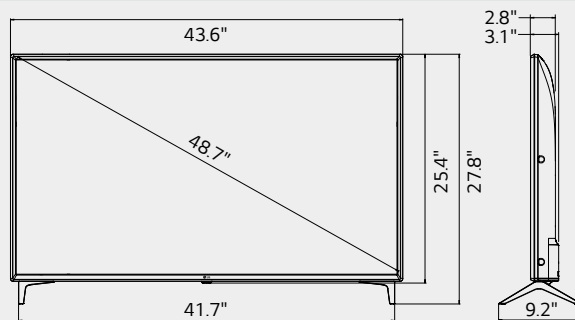
43"

38.3" x 24.6" x 8.6" /
20.5lb



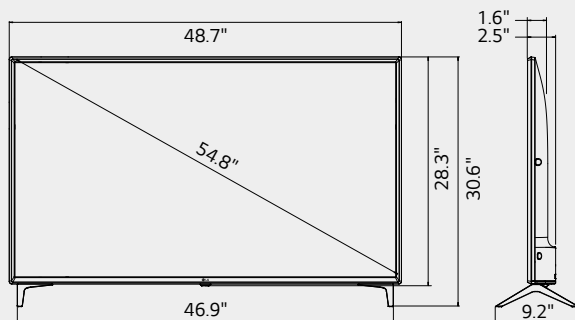
49"

43.6" x 27.8" x 9.2" /
25.4lb



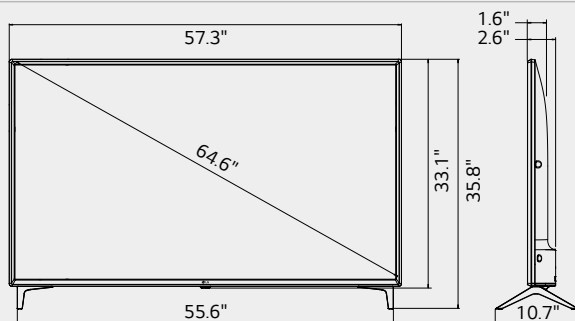
55"

48.7" x 30.6" x 9.2" /
35.7lb



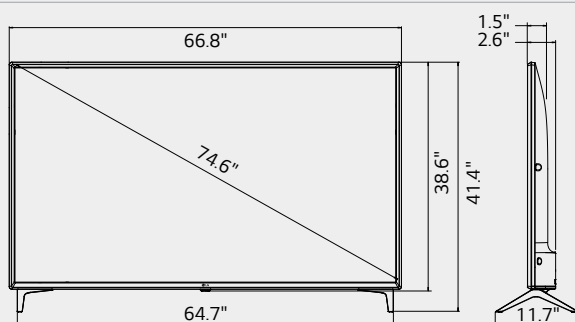
65"

57.3" x 35.8" x 10.7" /
58.2lb



75"

66.8" x 41.4" x 11.7" /
92.6lb

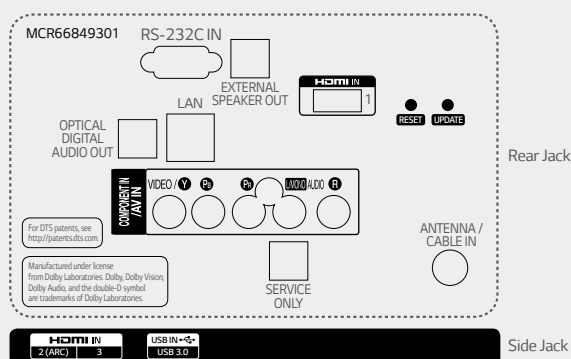


UHD Commercial TV

Specifications

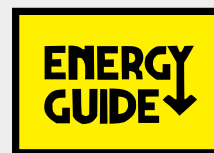
		43	49	55	65	75					
DISPLAY	Diagonal Size	42.5"	48.7"	54.8"	64.6"	74.6"					
	Type	Direct LED			Edge LED						
	Resolution	3,840 x 2,160 (4K UHD)									
	Brightness	400cd/m ²			500cd/m ²		400cd/m ²				
	Dynamic Contrast Ratio	1,000,000:1									
	Static (Panel) Contrast Ratio	1,200:1									
	Viewing Angle Degree	178° / 178°									
	Response Time (G to G)	8									
BROADCASTING SYSTEM	Frame Rate	T120									
	Analog	NTSC									
VIDEO	Digital	ATSC / VSB / Clear QAM									
	XD Engine	•									
	Real Cinema 24p (3:3 Pull down)	•									
AUDIO	Aspect Ratio	6 modes (16:9, Original, 4:3, Vertical Zoom, All-Direction Zoom, Just Scan)									
	Audio Output / Speaker System	10W + 10W / 2.0 ch									
	Sound Mode	6 modes (Standard, Cinema, Clear Voice III, Sports, Music, Game)									
GENERAL FEATURES	Clear Voice	•									
	Installation	USB Cloning									
	Management	WOL, SNMP, Self Diagnostics via USB, Multi IR Code, HTNG/HDMI-CEC* *HDMI-CEC : Compatibility can differ by equipment.									
	USB	Moving Picture Playback (.asf, .wmv, .avi, .mp4, .m4v, .mov, .3gp, .3g2, .mkv, .mpg, .mpeg, .dat, etc.), Picture (.jpeg, .jpg, .jpe, BMP, PNG), Audio Codec (.mp3, .wav, .OGG, .WMA, .flac)									
HOSPITALITY FEATURES	Setting Option	Auto Off / Sleep Timer, Smart Energy Saving, Motion Eye Care									
		PDM (Public Display Mode), Lock Mode, Welcome Screen (Splash Image) / Video, Insert Image, External Speaker Out, RJP Compatibility, Crestron Connected® Certification, DPM (Display Power Management) mode, Time Scheduler									
INTERFACE	Side	HDMI In (2), USB 2.0									
	Rear	RF In, AV In (Sharing with Component In), Component In + Video, Optical Digital Audio Out, HDMI In, RS-232C In, RJ45 (SNMP), External Speaker Out									
DIMENSION	Bezel Width (L / R, U, B) : on bezel based (mm)	10, 10, 15.2		8.8, 8.8, 13.8		9.9, 13.8		14.7, 14.7, 14.7			
	Bezel Width (L / R, U, B) : off bezel based (mm)	8.5, 8.5, 13.7		6.8, 6.8, 11.3		7.7, 12.3		12.7, 12.7, 12.7			
	Vesa (mm)	200 x 200		300 x 300				600 x 400			
	WxHxD / weight (without stand)	38.3" x 22.5" x 2.8" / 20.3lb		43.6" x 25.4" x 2.8" / 24.9lb		48.7" x 28.3" x 1.6" / 35.3lb		57.3" x 33.1" x 1.6" / 57.3lb		66.8" x 38.6" x 1.5" / 91.1lb	
	WxHxD / weight (with stand)	38.3" x 24.6" x 8.6" / 20.5lb		43.6" x 27.8" x 9.2" / 25.4lb		48.7" x 30.6" x 9.2" / 35.7lb		57.3" x 35.8" x 10.7" / 58.2lb		66.8" x 41.4" x 11.7" / 92.6lb	
POWER	WxHxD / weight (Carton)	41.7" x 26.0" x 8.6" / 24.7lb		47.0" x 30.3" x 6.2" / 30.0lb		53.5" x 32.9" x 6.0" / 45.0lb		63.0" x 38.2" x 6.9" / 72.3lb		72.4" x 46.0" x 9.1" / 116.8lb	
	Voltage, Hz	100-240V, 50 / 60 Hz									
	Typical (Watts)	46.5		54.5		59.2		68.0		86.8	
STANDARD APPROVAL	Stand-by (Watts)	0.5 ↓									
	Safety	UL									
	Environment	FCC									
UPC	Etc.	RoHS, UL, NOM, ENERGY STAR® Qualified									
		719192611771	719192611764	719192611757	719192611740	719192611733					

Connectivity



Commercial Grade Stand

The estimated annual energy cost determined in accordance with 16 CFR Part 305.5 for model 43UV340C, 49UV340C, 55UV340C, 65UV340C, and 75UV340C are \$10, \$12, \$13, \$16, and \$19 respectively.



"Your energy cost depends on your utility rates and use. The estimated cost is based on 12 cents per kWh and 5 hours of use per day. For more information, visit www.ftc.gov/energy/"

FTC Television labeling rule (18 CFR Part 305, as added by 76 Fed. Reg. 1038 (Jan 6, 2011)).