



ENGLISH  
ESPAÑOL



Quick Start Guide  
Guía de inicio rápido

LG G Pad 8.3 Google Play edition



Printed in China

MBM64079932 (1.0)



[www.lg.com](http://www.lg.com)



# LG G Pad 8.3 Google Play edition

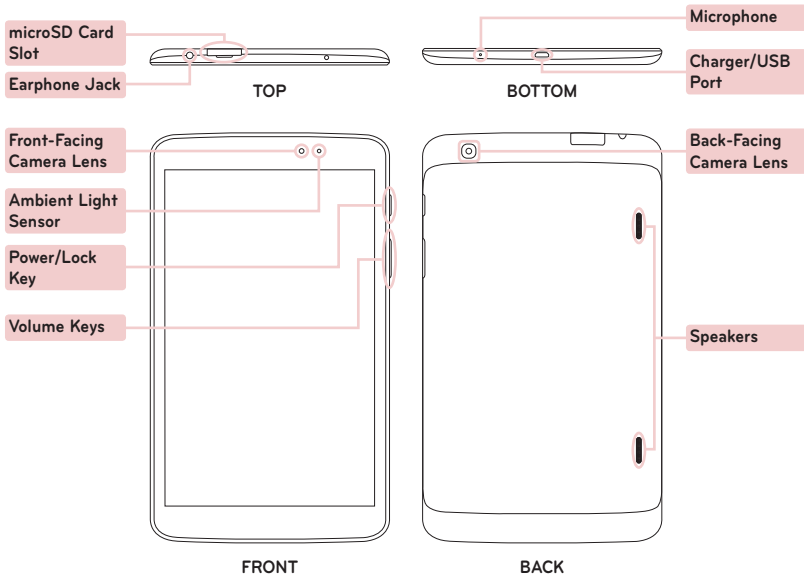
## Quick Start Guide

*For online help and support, visit [support.google.com/playedition](http://support.google.com/playedition)*

**NOTE:**

- Some of the contents in this guide may differ from your device depending on the software of the device. All information in this document is subject to change without notice.
- Always use genuine LG accessories. Failure to do this may void your warranty.
- Available accessories may vary depending on your region or country.

## Overview



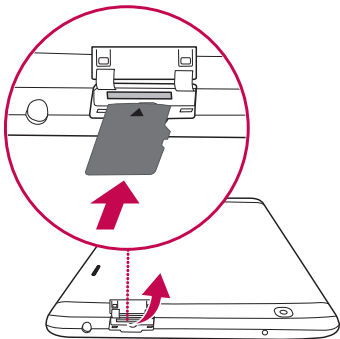
## Installing the memory card (optional)

The memory card slot is located at the top of the tablet.



1 Place your fingernail in the cutout and pull the memory card tray out.

2 Insert the memory card into the slot with the contacts facing down. Carefully push the tray gently into the tablet.

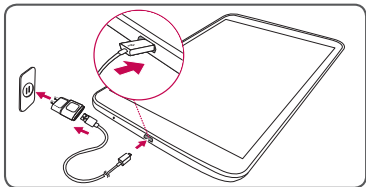


**NOTE:** The tablet supports a micro SD card with capacity up to 64 GB, and Speed Class up to 10.

**WARNING:** Do not remove the memory card before unmounting it first. Otherwise, the memory card, as well as your tablet, may become damaged and the data stored on the memory card may get corrupted. To remove the memory card safely, open **Settings > Storage > Unmount SD card**.

## Charging the tablet

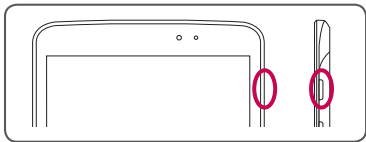
**NOTE:** For your safety, do not remove the embedded battery in the product. If you need to replace the battery, take it to the nearest authorized LG Electronics service point or dealer for assistance.




- 1 The Charger/USB Port is located at the bottom of the tablet.
  - 2 Insert one end of the charging cable into the tablet and the other end into the charger adapter, then plug the charger into an electrical socket.
- To maximize the battery lifetime, ensure that the battery is fully charged before you use it for the first time.

**⚠ WARNING!** Use only LG-approved charging accessories. Using unapproved chargers or cables may slow battery charging or cause your device to display a warning. Unapproved chargers or cables can cause the battery to explode or damage the device, which are not covered by the warranty.

## Turning on your tablet



Press and hold the **Power/Lock Key**  for a couple of seconds.

**TIP!** If the device is locked and does not work, press and hold the **Power/Lock Key**  for 12 seconds to turn it off.

# For Your Safety

## Safety Information

Please read and observe the following information for safe and proper use of your tablet and to prevent damage.

**Caution:** Violation of the instructions may cause minor or serious damage to the product.

### WARNING

#### Notice for Battery replacement

- For your safety, do not remove the battery incorporated in the product. If you need to replace the battery, take it to the nearest authorized LG Electronics service point or dealer for assistance.
  - Li-Ion Battery is a hazardous component which can cause injury.
  - Battery replacement by non-qualified professional can cause damage to your device.
- Do not disassemble or open crush, bend or deform, puncture or shred.
  - Repairs under warranty, at LG's option, may include replacement parts or boards that are either new or reconditioned, provided that they have functionality equal to that of the parts being replaced.
- Do not modify or remanufacture, attempt to insert foreign objects into the battery, immerse or expose to water or other liquids, expose to fire, explosion or other hazard.
  - Only use the battery for the system for which it is specified.
  - Only use the battery with a charging system that has been qualified with the system per this standard. Use of an unqualified battery or charger may present a risk of fire, explosion, leakage, or other hazard.
  - Do not short circuit a battery or allow metallic conductive objects to contact battery terminals.
  - Replace the battery only with another battery that has been qualified with the system per this standard, IEEE-Std-1725-200x. Use of an unqualified battery may present a risk of fire, explosion, leakage or other hazard.
  - Promptly dispose of used batteries in accordance with local regulations.
  - Avoid dropping the tablet. If the tablet is dropped, especially on a hard surface, and the user suspects damage, take it to a service center for inspection.
  - Improper battery use may result in a fire, explosion or other hazard.

## For Your Safety

- For those host devices that utilize a USB port as a charging source, the host device's user manual shall include a statement that the device shall only be connected to products that bear the USB-IF logo or have completed the USB-IF compliance program.

### Charger and Adapter Safety

- The charger and adapter are intended for indoor use only.
- Insert the battery pack charger vertically into the wall power socket.
- Unplug the power cord and charger during lightning storms to avoid electric shock or fire.
- Use the correct adapter for your tablet when using the battery pack charger abroad.

### Battery Information and Care

- Please read the manual of proper installation and removal of the battery.
- Please read the manual of specified charger Charging out of recommended about charging method.

- Do not damage the power cord by bending, twisting, or heating. Do not use the plug if it is loose as it may cause electric shock or fire. Do not place any heavy items on the power cord. Do not allow the power cord to be crimped as it may cause electric shock or fire.
- Unplug the power cord prior to cleaning your tablet, and clean the power plug pin when it's dirty. When using the power plug, ensure that it's firmly connected. If not, it may cause excessive heat or fire. If you put your tablet in a pocket or bag without covering the receptacle of the tablet (power plug pin), metallic articles (such as a coin, paperclip or pen) may short-circuit the tablet. Short-circuit of the terminal may damage the battery and cause an explosion. Always cover the receptacle when not in use.
- Recharge the battery after long periods of non-use to maximize battery life. Battery life will vary due to usage pattern and environmental conditions.
- Never store your tablet in temperature less than -4 °F or greater than 122 °F.
- Charging temperature range is between 32 °F and 113 °F. Do not charge the battery out of recommended temperature range. Charging out of recommended range might cause serious damage to battery. And also, it might cause



- the deterioration of battery's characteristics and cycle life.
- Do not use or leave the device under the blazing sun or in a hot car. The device may generate heat, smoke or flame. And also, it might cause the deterioration of battery's characteristics or cycle life.
  - The battery back in the device has protection circuit to avoid the danger. Do not use near places that can generate static electricity more than 100 V which could damage the protection circuit. Damaged protection circuits may generate smoke, rupture or ignite.
  - When using the device for the first time, if it emits a strong odor or you see visible signs of damage, or anything else abnormal, stop using the device and contact Google Play support.
  - Keep device away from babies and small children.
  - If liquid from the battery in the device rubs against skin or clothing, wash with fresh water. It may cause the skin inflammation. Do not use the battery and take it to the nearest authorized LG Electronics service point or dealer for assistance.

- Do not handle the tablet with wet hands while it is being charged. It may cause an electric shock or seriously damage your tablet.
- Do not use harsh chemicals (such as alcohol, benzene, thinners, etc.) or detergents to clean your tablet. This could cause a fire.
- Always unplug the charger from the wall socket after the tablet is fully charged to save unnecessary power consumption of the charger.

## Care and Maintenance

Your mobile device is a product of superior design and craftsmanship and should be treated with care. The suggestions below will help you fulfill any warranty obligations and allow you to enjoy this product for many years:

### **Keep your Mobile Device away from:**

#### **Liquids of any kind**

Keep the mobile device dry. Precipitation, humidity, and liquids contain minerals that will corrode electronic circuits. If the mobile device does get wet, do not accelerate drying with the use of an oven, microwave, or dryer, because this may damage the mobile device and could cause a fire or explosion.

## For Your Safety

Do not use the mobile device with a wet hand.

Doing so may cause an electric shock to you or damage to the mobile device.

### Extreme heat or cold

- Avoid temperatures below 0°C / 32°F or above 45°C / 113°F.
- Use your tablet in temperatures between 0°C / 32°F and 40°C / 104°F, if possible. Exposing your tablet to extremely low or high temperatures may result in damage, malfunction, or even explosion.

### Microwaves

Do not try to dry your mobile device in a microwave oven. Doing so may cause a fire or explosion.

### Dust and dirt

Do not expose your mobile device to dust, dirt, or sand.

### Sunscreen lotion

Do not expose or wear your device to any liquid like sunscreen lotion.

Doing so may cause your device to or damage to the mobile device.

### Cleaning solutions

Do not use harsh chemicals, cleaning solvents, or strong detergents to clean the mobile device.

Wipe it with a soft cloth lightly dampened in a mild soap-and-water solution.

### Shock or vibration

Do not drop, knock, or shake the mobile device.

Rough handling can break internal circuit boards.

### Paint

Do not paint the mobile device. Paint can clog the device's ventilation openings and prevent proper operation.

### General Notice

- Do not place items containing magnetic components such as a credit card, phone card, bank book, or subway ticket near your device. The magnetism of the device may damage the data stored in the magnetic strip.
- When the tablet is not used for a long period time, store it in a safe place with the power cord unplugged.

- Do not use the device if the antenna is damaged. If a damaged antenna contacts skin, it may cause a slight burn. Please contact an LG Authorized Service Center to replace the damaged antenna.
- The data saved in your tablet might be deleted due to careless use, repair of the tablet, or upgrade of the software. Please backup your important contacts. (pictures, and videos could also be deleted.) The manufacturer is not liable for damage due to the loss of data.
- When you use the tablet in public places, set the volume to vibration so you don't disturb others.
- Do not turn your tablet on or off when putting it to your ear.
- Your device is an electronic device that generates heat during normal operation. Extremely prolonged, direct skin contact in the absence of adequate ventilation may result in discomfort or minor burns. Therefore, use care when handling your device during or immediately after operation.
- Use accessories, such as earphones and headsets, with caution. Ensure that cables are tucked away safely and do not touch the antenna unnecessarily.

### **Part 15.19 statement**

This device complies with part 15 of FCC rules.

Operation is subject to the following two conditions:

(1) This device may not cause harmful interference, and (2) this device must accept any interference received, including interference that causes undesired operation.

### **Part 15.21 statement**

Any changes or modifications not expressly approved by the manufacturer could void the user's authority to operate the equipment.

### **Part 15.105 statement**

This equipment has been tested and found to comply with the limits for a class B digital device, pursuant to Part 15 of the FCC Rules. These limits are designed to provide reasonable protection against harmful interference in a residential installation. This equipment generates uses and can radiate radio frequency energy and, if not installed and used in accordance with the instructions, may cause harmful interference to radio communications. However, there is no guarantee that interference will not occur in a particular installation. If this equipment does cause harmful interference or television reception, which can be determined by turning the equipment off

## For Your Safety

and on, the user is encouraged to try to correct the interference by one or more of the following measures:

- Reorient or relocate the receiving antenna.
- Increase the separation between the equipment and receiver.
- Connect the equipment into an outlet on a circuit different from that to which the receiver is connected.
- Consult the dealer or an experienced radio/TV technician for help.

### FCC RF Exposure Information

**WARNING! Read this information before operating the device.**

In August 1996, the Federal Communications Commission (FCC) of the United States, with its action in Report and Order FCC 96-326, adopted an updated safety standard for human exposure to Radio Frequency (RF) electromagnetic energy emitted by FCC regulated transmitters. Those guidelines are consistent with the safety standard previously set by both U.S. and international standards bodies. The design of this device complies with the FCC guidelines and these international standards.

### Bodily Contact During Operation

This device was tested for typical use with the back of the device kept 0 inch (0 cm) from the body.

### Caution

Use only the supplied antenna. Use of unauthorized antennas (or modifications to the antenna) could impair call quality, damage the device, void your warranty and/or violate FCC regulations.

Don't use the device with a damaged antenna. A damaged antenna could cause a minor skin burn. Contact your local dealer for a replacement antenna.

### Consumer Information About Radio Frequency Emissions

Your wireless device, which contains a radio transmitter and receiver, emits radio frequency energy during use. The following consumer information addresses commonly asked questions about the health effects of wireless devices.

#### **Are wireless devices safe?**

Scientific research on the subject of wireless devices and radio frequency ("RF") energy has been conducted worldwide for many years, and continues. In the United States, the Food and Drug Administration ("FDA") and the Federal

Communications Commission ("FCC") set policies and procedures for wireless devices. The FDA issued a website publication on health issues related to device usage where it states, "The scientific community at large ... believes that the weight of scientific evidence does not show an association between exposure to radiofrequency (RF) from the devices and adverse health outcomes. Still the scientific community does recommend conducting additional research to address gaps in knowledge. That research is being conducted around the world and FDA continues to monitor developments in this field. You can access the joint FDA/FCC website at <http://www.fda.gov> (under "C" in the subject index, select Cell Phones > Research). You can also contact the FDA toll-free at (888) 463-6332 or (888) INFO-FDA. In June 2000, the FDA entered into a cooperative research and development agreement through which additional scientific research is being conducted. The FCC issued its own website publication stating that "there is no scientific evidence that proves that wireless device usage can lead to cancer or a variety of other problems, including headaches, dizziness or memory loss."

This publication is available at <http://www.fcc.gov/oet/rfsafety> or through the FCC at (888) 225-5322 or (888) CALL-FCC.

## **What does "SAR" mean?**

In 1996, the FCC, working with the FDA, the U.S. Environmental Protection Agency, and other agencies, established RF exposure safety guidelines for wireless devices in the United States. Before a wireless device model is available for sale to the public, it must be tested by the manufacturer and certified to the FCC that it does not exceed limits established by the FCC. One of these limits is expressed as a Specific Absorption Rate, or "SAR." SAR is a measure of the rate of absorption of RF energy in the body. Tests for SAR are conducted with the device transmitting at its highest power level in all tested frequency bands. Since 1996, the FCC has required that the SAR of handheld wireless device not exceed 1.6 watts per kilogram, averaged over one gram of tissue.

Although the SAR is determined at the highest power level, the actual SAR value of a wireless device while operating can be less than the reported SAR value. This is because the SAR value may vary from call to call, depending on factors such as proximity to a cell site, the proximity of the device to the body while in use, and the use of hands-free devices. Before a device model is available for sale to the public, it must be tested and certified to the FCC that it does not exceed

## For Your Safety

the limit established by the government-adopted requirement for safe exposure. The tests are performed in positions and locations (e.g., at the ear and worn on the body) as required by the FCC for each model.

The FCC has granted an Equipment Authorization for this model device with all reported SAR levels evaluated as in compliance with the FCC RF emission guidelines. SAR information on this model device is on file with the FCC and can be found under the Display Grant section of <http://www.fcc.gov/oet/ea/fccid/> after searching on FCC ID ZNFV510.

For more information about SARs, see the FCC's OET Bulletins 56 and 65 at [http://www.fcc.gov/Bureaus/Engineering\\_Technology/Documents/bulletins](http://www.fcc.gov/Bureaus/Engineering_Technology/Documents/bulletins) or visit the Cellular Telecommunications Industry Association website at [http://www.ctia.org/consumer\\_info/index.cfm/AID/10371](http://www.ctia.org/consumer_info/index.cfm/AID/10371). You may also wish to contact the manufacturer of your device.

### **Can I minimize my RF exposure?**

If you are concerned about RF, there are several simple steps you can take to minimize your RF exposure. You can, of course, reduce your talk time. You can place more distance between your body and the source of the RF, as the exposure level drops off dramatically with distance. The FDA/

FCC website states that "hands-free kits can be used with wireless devices for convenience and comfort. These systems reduce the absorption of RF energy in the head because the device, which is the source of the RF emissions, will not be placed against the head. On the other hand, if the device is mounted against the waist or other part of the body during use, then that part of the body will absorb more RF energy. Wireless devices marketed in the U.S. are required to meet safety requirements regardless of whether they are used against the head or against the body. Either configuration should result in compliance with the safety limit." Also, if you use your wireless device while in a car, you can use a device with an antenna on the outside of the vehicle. You should also read and follow your wireless device manufacturer's instructions for the safe operation of your device.

### **Do wireless devices pose any special risks to children?**

The FDA/FCC website states that "the scientific evidence does not show a danger to users of wireless communication devices, including children." The FDA/FCC website further states that "some groups sponsored by other national governments have advised that children be discouraged from using wireless device at all".

For example, the Stewart Report from the United Kingdom ["UK"] made such a recommendation in December 2000. In this report a group of independent experts noted that no evidence exists that using a device causes brain tumors or other ill effects. [The UK's] recommendation to limit device use by children was strictly precautionary; it was not based on scientific evidence that any health hazard exists. A copy of the UK's leaflet is available at <http://www.dh.gov.uk> (search "mobile"), or you can write to: NRPB, Chilton, Didcot, Oxon OX11 0RQ, United Kingdom. Copies of the UK's annual reports on mobile device and RF are available online at [www.iegmp.org.uk](http://www.iegmp.org.uk) and <http://www.hpa.org.uk/radiation/> (search "mobile"). Parents who wish to reduce their children's RF exposure may choose to restrict their children's wireless device use.

### **Where can I get further information about RF emissions?**

For further information, see the following additional resources (websites current as of April 2005):

#### **U.S. Food and Drug Administration**

FDA Consumer magazine  
November-December 2000  
Telephone: (888) INFO-FDA

<http://www.fda.gov> (Under "C" in the subject index, select Cell Phones > Research.)

#### **U.S. Federal Communications Commission**

445 12th Street, S.W.  
Washington, D.C. 20554  
Telephone: (888) 225-5322  
<http://www.fcc.gov/oet/rfsafety>

#### **Independent Expert Group on Mobile Devices**

<http://www.iegmp.org.uk>

#### **Royal Society of Canada Expert Panels on Potential Health Risks of Radio Frequency Fields from Wireless Telecommunication Devices**

283 Sparks Street  
Ottawa, Ontario K1R 7X9  
Canada  
Telephone: (613) 991-6990

#### **World Health Organization**

Avenue Appia 20  
1211 Geneva 27  
Switzerland  
Telephone: 011 41 22 791 21 11  
<http://www.who.int/mediacentre/factsheets/fs193/en/>

## For Your Safety

### International Commission on Non-Ionizing Radiation Protection

c/o Bundesamt für Strahlenschutz  
Ingolstaedter Landstr. 1  
85764 Oberschleissheim  
Germany  
Telephone: 011 49 1888 333 2156  
<http://www.icnirp.de>

### Wi-Fi Caution

This device is capable of operating in 802.11a/n mode. For 802.11a/n devices operating in the frequency range of 5.15 - 5.25 GHz, they are restricted for indoor operations to reduce any potential harmful interference for Mobile Satellite Services (MSS) in the US. Wi-Fi Access Points that are capable of allowing your device to operate in 802.11a/n mode (5.15 - 5.25 GHz band) are optimized for indoor use only.

If your Wi-Fi network is capable of operating in this mode, please restrict your Wi-Fi use indoors to not violate federal regulations to protect Mobile Satellite Services.

### WARNING!

This product contains the following chemicals known to the State of California to cause cancer and birth defects or reproductive harm:

- Nickel
- Toluene
- Methyl isobutyl ketone
- Carbon particles of respirable size

### Engineering in Medicine and Biology Society, Committee on Man and Radiation (COMAR) of the Institute of Electrical and Electronics Engineers

<http://ewh.ieee.org/soc/embs/comar/>

### Consumer Information on SAR (Specific Absorption Rate)

This model device meets the government's requirements for exposure to radio waves. Your wireless device is a radio transmitter and receiver. It is designed and manufactured not to exceed the emission limits for exposure to Radio Frequency (RF) energy set by the Federal Communications Commission of the U.S. Government. These limits are part of



comprehensive guidelines and establish permitted levels of RF energy for the general population. The guidelines are based on standards that were developed by independent scientific organizations through periodic and thorough evaluation of scientific studies. The standards include a substantial safety margin designed to assure the safety of all persons, regardless of age and health. The exposure standard for wireless mobile phones employs a unit of measurement known as the Specific Absorption Rate, or SAR. The SAR limit set by the FCC is 1.6 W/kg.

Tests for SAR are conducted using standard operating positions specified by the FCC with the device transmitting at its highest certified power level in all tested frequency bands. Although SAR is determined at the highest certified power level, the actual SAR level of the device while operating can be well below the maximum value. Because the device is designed to operate at multiple power levels to use only the power required to reach the network, in general, the closer you are to a wireless base station antenna, the lower the power output. Before a device model is available for sale to the public, it must be tested and certified to the FCC that it does not exceed the limit established by the government-adopted requirement for safe exposure. The tests are performed in positions and

locations (e.g., at the ear and worn on the body) as required by the FCC for each model.

The highest SAR value for this device when worn on the body, as described in this user guide, is **1.02 W/kg**. (body-worn measurements differ among device models, depending upon available accessories and FCC requirements). While there may be differences between SAR levels of various devices and at various positions, they all meet the government requirement for safe exposure.

The FCC has granted an Equipment Authorization for this model device with all reported SAR levels evaluated as in compliance with the FCC RF emission guidelines. SAR information on this model device is on file with the FCC and can be found under the Display Grant section of <http://www.fcc.gov/oet/fccid> after searching on FCC ID ZNFV510. Additional information on Specific Absorption Rates (SAR) can be found on the Cellular Telecommunications Industry Association (CTIA) website at <http://www.ctia.org/>.

\* In the United States and Canada, the SAR limit for mobile device used by the public is 1.6 watts/kg (W/kg) averaged over one gram of tissue. The standard incorporates a substantial margin of safety to give additional protection for the public and to account for any variations in measurements.

## For Your Safety

### **Caution:**

#### **Avoid potential hearing loss.**

Prolonged exposure to loud sounds (including music) is the most common cause of preventable hearing loss. Some scientific research suggests that using portable audio devices, such as portable music players and cellular telephones, at high volume settings for long durations may lead to permanent noise-induced hearing loss. This includes the use of headphones (including headsets, earbuds and Bluetooth® or other wireless devices). Exposure to very loud sound has also been associated in some studies with tinnitus (a ringing in the ear), hypersensitivity to sound and distorted hearing. Individual susceptibility to noise-induced hearing loss and other potential hearing problems varies. The amount of sound produced by a portable audio device varies depending on the nature of the sound, the device, the device settings and the headphones. You should follow some commonsense recommendations when using any portable audio device:

- Set the volume in a quiet environment and select the lowest volume at which you can hear adequately.
- When using headphones, turn the volume down if you cannot hear the people speaking near you or if the person sitting next to you can hear what you are listening to.
- Do not turn the volume up to block out noisy surroundings. If you choose to listen to your portable device in a noisy environment, use noise-cancelling headphones to block out background environmental noise.
- Limit the amount of time you listen. As the volume increases, less time is required before your hearing could be affected.
- Avoid using headphones after exposure to extremely loud noises, such as rock concerts, that might cause temporary hearing loss. Temporary hearing loss might cause unsafe volumes to sound normal.
- Do not listen at any volume that causes you discomfort. If you experience ringing in your ears, hear muffled speech or experience any temporary hearing difficulty after listening to your portable audio device, discontinue use and consult your doctor.

You can obtain additional information on this subject from the following sources:

### **Safety 205**

American Academy of Audiology 11730  
Plaza American Drive, Suite 300  
Reston, VA 20190  
Voice: (800) 222-2336  
Email: [info@audiology.org](mailto:info@audiology.org)  
Internet: [www.audiology.org](http://www.audiology.org)  
National Institute on Deafness and Other  
Communication  
Disorders  
National Institutes of Health  
31 Center Drive, MSC 2320  
Bethesda, MD USA 20892-2320  
Voice: (301) 496-7243  
Email: [nidcdinfo@nih.gov](mailto:nidcdinfo@nih.gov)  
Internet: <http://www.nidcd.nih.gov/health/hearing>  
National Institute for Occupational Safety and  
Health Hubert H. Humphrey Bldg.  
200 Independence Ave., SW Washington, DC  
20201 Voice: 1-800-35-NIOSH (1-800-356-  
4674)  
Internet: [http://www.cdc.gov/niosh/topics/noise/  
default.html](http://www.cdc.gov/niosh/topics/noise/default.html)

## **TIA Safety Information**

The following is the complete TIA Safety Information for wireless handheld devices.

### **Exposure to Radio Frequency Signal**

Your wireless handheld portable device is a low power radio transmitter and receiver. When ON, it receives and sends out Radio Frequency (RF) signals.

In August, 1996, the Federal Communications Commissions (FCC) adopted RF exposure guidelines with safety levels for handheld wireless devices. Those guidelines are consistent with the safety standards previously set by both U.S. and international standards bodies:

ANSI C95.1 (1992) \*

NCRP Report 86 (1986)

ICNIRP (1996)

\* American National Standards Institute;  
National Council on Radiation Protection and  
Measurements; International Commission on Non-  
Ionizing Radiation Protection

Those standards were based on comprehensive and periodic evaluations of the relevant scientific literature. For example, over 120 scientists, engineers, and physicians from universities, government health agencies, and industry reviewed

## For Your Safety

the available body of research to develop the ANSI Standard (C95.1).

The design of your device complies with the FCC guidelines (and those standards).

### Antenna Care

Use only the supplied or an approved replacement antenna. Unauthorized antennas, modifications, or attachments could damage the device and may violate FCC regulations.

### Tips on Efficient Operation

For your device to operate most efficiently:

Don't touch the antenna unnecessarily when the tablet is in use. Contact with the antenna affects call quality and may cause the tablet to operate at a higher power level than otherwise needed.

### Electronic Devices

Most modern electronic equipment is shielded from RF signals. However, certain electronic equipment may not be shielded against the RF signals from your wireless device.

### Pacemakers

The Health Industry Manufacturers Association recommends that a minimum separation of six (6) inches be maintained between a handheld wireless device and a pacemaker to avoid potential interference with the pacemaker.

These recommendations are consistent with the independent research by and recommendations of Wireless Technology Research.

Persons with pacemakers:

- Should ALWAYS keep the device more than six (6) inches from their pacemaker when the device is turned ON;
- Should not carry the device in a breast pocket;
- Should use the ear opposite the pacemaker to minimize the potential for interference;
- Should turn the tablet OFF immediately if there is any reason to suspect that interference is taking place.

### Hearing Aids

Some digital wireless device may interfere with some hearing aids. In the event of such interference, you may want to consult your service provider (or call the customer service line to discuss alternatives).

### Other Medical Devices

If you use any other personal medical device, consult the manufacturer of your device to determine if it is adequately shielded from external RF energy. Your physician may be able to assist you in obtaining this information.

## **Health Care Facilities**

Turn your device OFF in health care facilities when any regulations posted in these areas instruct you to do so. Hospitals or health care facilities may use equipment that could be sensitive to external RF energy.

## **Vehicles**

RF signals may affect improperly installed or inadequately shielded electronic systems in motor vehicles. Check with the manufacturer or its representative regarding your vehicle. You should also consult the manufacturer of any equipment that has been added to your vehicle.

## **Posted Facilities**

Turn your device OFF in any facility where posted notices so require.

## **Aircraft**

FCC regulations prohibit using your device while in the air. Switch OFF your tablet before boarding an aircraft.

## **Blasting Areas**

To avoid interfering with blasting operations, turn your device OFF when in a "blasting area" or in areas posted: "Turn off two-way radio". Obey all signs and instructions.

## **Potentially Explosive Atmosphere**

Turn your device OFF when in any area with a potentially explosive atmosphere and obey all signs and instructions. Sparks in such areas could cause an explosion or fire resulting in bodily injury or even death.

Areas with a potentially explosive atmosphere are often, but not always marked clearly. Potential areas may include: fueling areas (such as gasoline stations); below deck on boats; fuel or chemical transfer or storage facilities; vehicles using liquefied petroleum gas (such as propane or butane); areas where the air contains chemicals or particles (such as grain, dust, or metal powders); and any other area where you would normally be advised to turn off your vehicle engine.

## **For Vehicles Equipped with an Air Bag**

An air bag inflates with great force. DO NOT place objects, including either installed or portable wireless equipment, in the area over the air bag or in the air bag deployment area. If in-vehicle wireless equipment is improperly installed and the air bag inflates, serious injury could result.

## For Your Safety

### Driving

Check the laws and regulations on the use of wireless devices in the areas where you drive and always obey them. Also, if using your device while driving, please observe the following:

- Give full attention to driving -- driving safely is your first responsibility;
- Use hands-free operation, if available;
- Pull off the road and park before using it.

*For information about FDA consumer updates, visit [www.fda.gov](http://www.fda.gov)*

# Limited Warranty Statement

## 1. WHAT THIS WARRANTY COVERS:

LG offers you a limited warranty that the enclosed subscriber unit and its enclosed accessories will be free from defects in material and workmanship, according to the following terms and conditions:

- (1) The limited warranty for the product extends for TWELVE (12) MONTHS beginning on the date of purchase of the product with valid proof of purchase, or absent valid proof of purchase, FIFTEEN (15) MONTHS from date of manufacture as determined by the unit's manufacture date code.
- (2) The limited warranty extends only to the original purchaser of the product and is not assignable or transferable to any subsequent purchaser/end user.
- (3) This warranty is good only to the original purchaser of the product during the warranty period as long as it is in the U.S., including Alaska, Hawaii, U.S. Territories and Canada.
- (4) The external housing and cosmetic parts shall be free of defects at the time of shipment and, therefore, shall not be covered under these limited warranty terms.
- (5) Upon request from LG, the consumer must provide information to reasonably prove the date of purchase.
- (6) The customer shall bear the cost of shipping the product to the Customer Service Department of LG. LG shall bear the cost of shipping the product back to the consumer after the completion of service under this limited warranty.

## 2. WHAT THIS WARRANTY DOES NOT COVER:

- (1) Defects or damages resulting from use of the product in other than its normal and customary manner.
- (2) Defects or damages from abnormal use, abnormal conditions, improper storage, exposure to moisture or dampness, unauthorized modifications, unauthorized connections, unauthorized repair, misuse, neglect, abuse, accident, alteration, improper installation, or other acts which are not the fault of LG, including damage caused by shipping, blown fuses, spills of food or liquid.
- (3) Breakage or damage to antennas unless caused directly by defects in material or workmanship.
- (4) That the Customer Service Department at LG was not notified by consumer of the alleged defect or malfunction of the product during the applicable limited warranty period.
- (5) Products which have had the serial number removed or made illegible.
- (6) This limited warranty is in lieu of all other warranties, express or implied either in fact or by operations of law, statutory or otherwise, including, but not limited to any implied warranty of marketability or fitness for a particular use.
- (7) Damage resulting from use of non LG approved accessories.

- (8) All plastic surfaces and all other externally exposed parts that are scratched or damaged due to normal customer use.
- (9) Products operated outside published maximum ratings.
- (10) Products used or obtained in a rental program.
- (11) Consumables (such as fuses).

### 3. WHAT LG WILL DO:

LG will, at its sole option, either repair, replace or refund the purchase price of any unit that is covered under this limited warranty. LG may choose at its option to use functionally equivalent re-conditioned, refurbished or new units or parts or any units. In addition, LG will not re-install or back-up any data, applications or software that you have added to your phone. It is therefore recommended that you back-up any such data or information prior to sending the unit to LG to avoid the permanent loss of such information.

### 4. STATE LAW RIGHTS:

No other express warranty is applicable to this product. THE DURATION OF ANY IMPLIED WARRANTIES, INCLUDING THE IMPLIED WARRANTY OF MARKETABILITY OR MERCHANTABILITY OR FITNESS FOR A PARTICULAR PURPOSE, IS LIMITED TO THE DURATION OF THE EXPRESS WARRANTY HEREIN. LG SHALL NOT BE LIABLE FOR THE LOSS OF THE USE OF THE PRODUCT, INCONVENIENCE, LOSS OR ANY OTHER DAMAGES, DIRECT OR CONSEQUENTIAL, ARISING OUT OF THE USE OF, OR INABILITY TO USE, THIS PRODUCT OR FOR ANY BREACH OF ANY EXPRESS OR IMPLIED WARRANTY, INCLUDING THE IMPLIED WARRANTY OF MARKETABILITY OR MERCHANTABILITY OR FITNESS FOR A PARTICULAR PURPOSE APPLICABLE TO THIS PRODUCT.

Some states do not allow the exclusive limitation of incidental or consequential damages or limitations on how long an implied warranty lasts; so these limitations or exclusions may not apply to you. This warranty gives you specific legal rights and you may also have other rights which vary from state to state.

### 5. HOW TO GET WARRANTY SERVICE:

To obtain warranty service, please call or fax to the following telephone numbers from anywhere in the continental United States:

**Tel. 1-800-793-8896**

Or visit <http://us.lgservice.com>. Correspondence may also be mailed to:  
LG Electronics Service- Mobile Handsets, P.O. Box 240007, Huntsville, AL 35824

**DO NOT RETURN YOUR PRODUCT TO THE ABOVE ADDRESS.** Please call or write for the location of the LG authorized service center nearest you and for the procedures for obtaining warranty claims.



# LG G Pad 8.3 Google Play edition

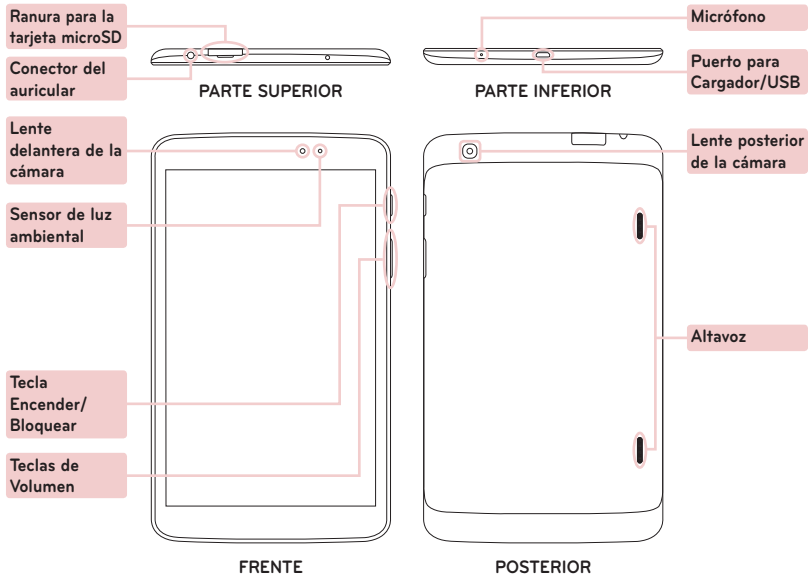
## Guía de inicio rápido

*Para obtener ayuda y soporte por internet,  
visite **[support.google.com/playedition](http://support.google.com/playedition)***

### NOTA:

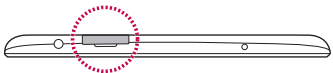
- Parte del contenido de esta guía puede ser diferente al de su dispositivo, dependiendo del software del dispositivo. Toda la información de este documento está sujeta a cambios sin previo aviso.
- Utilice siempre accesorios LG originales. Si no lo hace, la garantía puede quedar anulada.
- Los accesorios disponibles pueden variar de acuerdo con su región y país.

## Generalidades



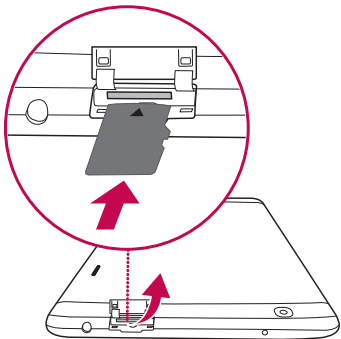
## Instalación de la tarjeta de memoria (opcional)

La ranura para la tarjeta de memoria está en la parte superior de la tablet.



1 Coloque su uña en la abertura y tire la bandeja de la tarjeta de memoria hacia afuera.

2 Inserte la tarjeta de memoria en la ranura con los contactos orientados hacia abajo. Empuje suavemente la bandeja dentro de la tablet.

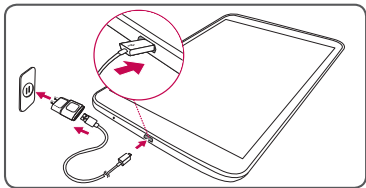


**NOTA:** La tablet admite una tarjeta microSD con capacidad de hasta 64 GB y la clase de velocidad de hasta 10.

**ADVERTENCIA:** No inserte ni quite la tarjeta de memoria antes de desactivarla. De otra manera, la tarjeta de memoria, así como su tablet, puede dañarse, lo que podría hacer que los datos guardados en la tarjeta de memoria se perdieran. Para retirar la tarjeta de memoria con seguridad, abra **Configuración** > **Espacio de almacenamiento** > **Desmontar la tarjeta SD**.

## Charging the tablet

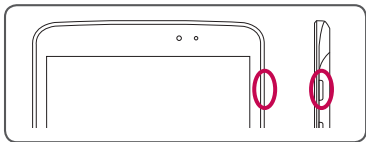
**NOTA:** Para su seguridad, no quite la batería incorporada en el producto. Si necesita reemplazar la batería, llévela al distribuidor o al centro de servicio técnico autorizado de LG Electronics más cercano a su domicilio para asistencia.




- 1 El Puerto para Cargador/USB está en la parte inferior de la tablet.
  - 2 Inserte un extremo del cable de carga en la tablet y el otro extremo en el cargador, y luego enchufe el cargador en un tomacorriente.
- Para maximizar la vida útil de la batería, asegúrese de que la batería esté completamente cargada antes de usarla por primera vez.

**⚠ ¡ADVERTENCIA!** Sólo utilice accesorios de carga aprobados por LG. Utilizando cargadores o cables no aprobados puede causar una carga de batería lenta o mostrar un aviso. Los cargadores o cables no aprobados también pueden provocar una explosión de la batería o daño al dispositivo, lo que no está cubierto por la garantía.

## Encender su tablet



Mantenga presionada la **Encender/Bloquear**  por algunos segundos.

**SUGERENCIA** Si el dispositivo está bloqueado y no funciona, mantenga presionada la **Tecla Encender/Bloquear**  por 12 segundos para apagarlo.

## Para su seguridad

Lea y revise la siguiente información para usar su tablet de manera segura y adecuada, y para evitar daños.

**Precaución:** No cumplir con las instrucciones puede causar daños menores o graves en el producto.

### ADVERTENCIA

#### Aviso de cambio de batería

- Por su seguridad, no extraiga la batería incorporada en el producto. Si necesita sustituir la batería, lleve el dispositivo al proveedor o punto de servicio autorizado más cercano de LG Electronics para obtener asistencia.
- La batería de ión-litio es un componente peligroso que puede causar lesiones.
- El cambio de batería realizado por profesionales no calificados puede causar daños en su dispositivo.
- No desarme, abra, aplaste, doble, deforme, perforo ni raye la tablet.
- Las reparaciones cubiertas por la garantía, según lo considere LG, pueden incluir piezas de repuesto o paneles que sean nuevos o reacondicionados, siempre que cuenten con la misma funcionalidad que las piezas que se reemplazarán.
- No modifique ni vuelva a armar la batería, no intente introducirle objetos extraños, no la sumerja ni exponga al agua u otros líquidos, no la exponga al fuego, explosión u otro peligro.
- Sólo use la batería para el sistema especificado.
- Sólo use la batería con un sistema de carga que haya sido certificado con el sistema en función de este estándar. El uso de una batería o un cargador no calificado puede presentar peligro de incendio, explosión, escape u otro riesgo.
- No le provoque un cortocircuito a la batería ni permita que objetos metálicos conductores entren en contacto con los terminales de la batería.
- Sólo reemplace la batería con otra que haya sido certificada con el sistema según este estándar, IEEE-Std-1725-200x. El uso de una batería no calificada puede presentar peligro de incendio, explosión, escape u otro riesgo.
- Deseche de inmediato las baterías usadas conforme las regulaciones locales.
- Evite dejar caer la tablet o la batería. Si la tablet o la batería se cae, en especial en una superficie rígida, y el usuario sospecha que se han ocasionado daños, lleve la tablet o la batería a un centro de servicio para revisión.

## Para su seguridad

- El uso inadecuado de la batería puede resultar en un incendio, una explosión u otro peligro.
- El manual del usuario de los dispositivos que utilizan un puerto USB como fuente de carga debe incluir una declaración en la que se mencione que la tablet sólo debe conectarse a productos que tienen el logotipo USB-IF o que completaron el programa de conformidad USB-IF.
- No dañe el cable de alimentación al doblarlo, retorcerlo o calentarlo. No use el conector si está flojo ya que podría causar choque eléctrico o incendio.  
No coloque objetos pesados sobre el cable de corriente. No permita que el cable de alimentación quede prensado ya que podría causar choque eléctrico o incendio.

### Seguridad del cargador y del adaptador

- El cargador y el adaptador están diseñados sólo para ser usados bajo techo.
- Inserte el cargador de la batería de modo vertical en el tomacorriente de la pared.
- Desconecte el enchufe de la toma de corriente y el cargador cuando se ilumina porque puede provocar un choque eléctrico o peligro de incendio.
- Cuando use el cargador de batería en el extranjero, use el adaptador correcto para la tablet.
- Desconecte el cable de alimentación antes de limpiar la tablet y limpie la clavija del conector de alimentación cuando esté sucia. Al usar el conector de alimentación, asegúrese de que esté conectado con firmeza. De lo contrario, podría causar un calentamiento excesivo o incendio. Si coloca la tablet en un bolsillo o bolso sin cubrir el receptáculo (clavija de alimentación), los artículos metálicos (tales como una moneda, clip o pluma) pueden provocarle un corto circuito a la tablet. El cortocircuito de los terminales puede dañar la batería y ocasionar una explosión. Cubra siempre el receptáculo cuando no se esté usando.

### Información y cuidado de la batería

- Lea el manual de instalación y extracción adecuadas de la batería.
- Lea el manual del cargador especificado sobre el método de carga.
- Cargue la batería después de períodos prolongados sin usar la tablet para maximizar la vida útil de la misma.  
La vida útil de la batería será distinta en función de los patrones de uso y las condiciones medioambientales.

- Nunca guarde la tablet en lugares con temperaturas inferiores a  $-15^{\circ}\text{C}$  ( $-4^{\circ}\text{F}$ ) ni superiores a  $50^{\circ}\text{C}$  ( $122^{\circ}\text{F}$ ).
- El rango de temperatura de carga está entre  $0^{\circ}\text{C}$  ( $32^{\circ}\text{F}$ ) y  $45^{\circ}\text{C}$  ( $113^{\circ}\text{F}$ ). No cargue la batería fuera del rango de temperatura recomendado. Si carga fuera del rango recomendado podría recalentar o dañar gravemente la batería. Asimismo, puede deteriorar las características de la batería y el ciclo de vida.
- No utilice ni deje el dispositivo bajo el sol ardiente o en un automóvil caliente. La batería puede generar calor, humo o llama. Además, podría deteriorar las características y el ciclo de vida útil de la batería.
- La batería tiene un circuito de protección para evitar el peligro. No la use cerca de lugares que pueden generar una electricidad estática superior a  $100\text{ V}$ , ya que podría dañar el circuito de protección. Si los circuitos de protección están dañados, pueden generar humo en la batería, romperla o incendiarla.
- Si usa la batería por primera vez y esta emite un olor desagradable, está oxidada o tiene otra característica que no es normal, no utilice el equipo y lleve la batería a la tienda donde la adquirió.
- Mantenga las baterías alejadas de bebés y niños. Si los niños usan la batería, los padres o tutores legales son responsables de supervisar y enseñarles cómo manipular baterías en forma segura y cómo usarlas con cuidado según el manual.
- Si el líquido de la batería entra en contacto con la piel o una prenda de vestir, lávelos con agua fresca. Puede causar inflamación de la piel. Quite la batería y no la use.
- No manipule la tablet con las manos húmedas cuando se esté cargando. Puede causar un choque eléctrico o dañar gravemente la tablet.
- No use sustancias químicas fuertes (como alcohol, benceno, solventes, etc.) o detergentes para limpiar la tablet. Podría causar un incendio.
- Una vez que la tablet esté totalmente cargado, desenchufe siempre el cargador del tomacorriente para que el cargador no consuma energía de manera innecesaria.

## Para su seguridad

### Cuidado y mantenimiento

El dispositivo móvil es un producto de diseño y manufactura de primera calidad, por lo que debe tratarse con cuidado. Las siguientes sugerencias le ayudarán a cumplir con cualquier obligación incluida en la garantía y le permitirá disfrutar de este producto por muchos años:

#### Mantenga el dispositivo móvil:

##### Lejos de cualquier tipo de líquido

Mantenga el dispositivo móvil seco. Las precipitaciones, la humedad y los líquidos contienen minerales que corroerán los circuitos electrónicos. Si el dispositivo móvil se moja, no acelere el secado con un horno, un microondas o un secador, dado que podría dañar el dispositivo y causar un incendio o una explosión.

No utilice el dispositivo móvil con las manos mojadas.

El hecho de hacerlo, podría causarle una descarga eléctrica o dañar el dispositivo.

##### Calor o frío extremos

- Evite las temperaturas inferiores a 0 °C / 32 °F o superiores a 45 °C / 113 °F.

- Utilice su tablet en temperaturas entre 0°C /32°F y 40°C/104°F, si es posible. La exposición de su tablet a temperaturas extremadamente altas o bajas puede resultar en daños o incluso explosiones.

##### Microondas

No intente secar el dispositivo móvil en un horno de microondas. El hecho de hacerlo podría causar un incendio o una explosión.

##### Polvo y suciedad

No exponga el dispositivo móvil al polvo, la suciedad o la arena.

##### Loción de protección solar

No exponga ni utilice el dispositivo móvil ante ningún líquido similar a la loción de protección solar.

El hecho de hacerlo puede dañar el dispositivo móvil.

##### Soluciones de limpieza

No utilice sustancias químicas corrosivas, solventes de limpieza ni detergentes fuertes para limpiar el dispositivo móvil.

Limpie con un paño suave y levemente humedecido en una solución 50% jabón y 50% agua.



## **Golpe o vibración**

No deje caer, golpee, ni agite el dispositivo móvil.

Una manipulación brusca puede romper las placas de los circuitos internos.

## **Pintura**

No pinte el dispositivo móvil. La pintura puede obstruir las piezas del dispositivo que se mueven o las aberturas de ventilación y evitar que funcione de manera apropiada.

## **Aviso general**

- No coloque cerca de la tablet artículos que contengan componentes magnéticos como tarjetas de crédito, tarjetas telefónicas, libretas de banco o boletos del metro. El magnetismo de la tablet puede dañar los datos almacenados en la tira magnética.
- Cuando la tablet no se usa durante mucho tiempo, déjelo en un lugar seguro con el cable de alimentación desconectado.
- No use la tablet si la antena está dañada. Si una antena dañada toca la piel, puede causar una ligera quemadura. Comuníquese con un Centro de servicio autorizado LG para que reemplacen la antena dañada.
- Los datos guardados en la tablet se pueden borrar al usar de manera incorrecta la tablet, repararlo o actualizar el software. Haga una copia de seguridad de los números la tablet importantes. (También podrían borrarse tonos de timbre, mensajes de texto, mensajes de voz, fotos y videos). El fabricante no se hace responsable de los daños ocasionados por la pérdida de datos.
- Cuando esté en lugares públicos, fije el tono de timbre en vibración para no molestar a otras personas.
- No apague ni encienda la tablet cuando se lo ponga al oído.
- Su tablet es un aparato electrónico que genera calor durante su funcionamiento normal. El contacto prolongado directo con la piel en la ausencia de ventilación adecuada puede resultar en molestias o quemaduras leves. Por lo tanto, tenga cuidado al manipular la tablet durante o inmediatamente después de utilizarlo.
- Use los accesorios, como audífonos y auriculares, con precaución. Cerciérese de que los cables estén bien resguardados y no toque la antena innecesariamente.

## Para su seguridad

### **Declaración del artículo 15.19**

Este dispositivo cumple con la sección 15 de la normativa de la FCC.

El funcionamiento está sujeto a las siguientes dos condiciones:

(1) este dispositivo no puede causar interferencia dañina y (2) este dispositivo debe aceptar cualquier interferencia que reciba, incluida la interferencia que cause un funcionamiento no deseado.

### **Declaración del artículo 15.21**

Todo cambio o modificación no aprobada expresamente por el fabricante podría anular la autoridad del usuario de operar el equipo.

### **Declaración del artículo 15.105**

Este equipo ha sido evaluado y se ha comprobado que cumple con los límites para un dispositivo digital clase B, conforme el artículo 15 de las reglas de la FCC. Estos límites han sido diseñados para brindar una protección razonable contra la interferencia dañina en una instalación residencial. Este equipo genera, utiliza y puede irradiar energía de radiofrecuencia y, si no se instala y utiliza de acuerdo con las instrucciones, podría causar interferencia dañina para las comunicaciones radiales. Sin embargo, no existe garantía de que la interferencia no se produzca en una instalación

en particular. Si este equipo ocasiona interferencia dañina en la recepción de televisión (lo cual puede determinarse encendiendo y apagando el equipo), se recomienda al usuario que intente corregir la interferencia tomando una o más de las siguientes medidas:

- Reorientar o reubicar la antena receptora.
- Aumentar la distancia entre el equipo y el receptor.
- Conectar el equipo en una toma de un circuito diferente de aquél al que está conectado el receptor.
- Consultar con el distribuidor o un técnico de radio/TV experimentado para obtener ayuda.

### **Información sobre la exposición a radiofrecuencias de la FCC**

#### **¡ADVERTENCIA! Lea esta información antes de hacer funcionar el dispositivo.**

En agosto de 1996, la Comisión federal de comunicaciones (FCC) de los Estados Unidos, con su acción en el informe y orden FCC 96-326, adoptó una norma de seguridad actualizada para la exposición humana a la energía electromagnética de radiofrecuencias (RF) que emiten los transmisores regulados por la FCC. Esos lineamientos se corresponden con la norma de seguridad establecida previamente por los

organismos de normas tanto de los EE. UU. como internacionales. El diseño de este dispositivo cumple con los lineamientos de la FCC y esas normas internacionales.

### **Contacto corporal durante el funcionamiento**

Este dispositivo fue probado para el uso típico con la parte posterior de la tablet a 0 cm (0 pulgadas) del cuerpo del usuario.

### **Precaución**

Use sólo la antena suministrada. El uso de antenas no autorizadas (o modificaciones no en Mapas y en otras aplicaciones autorizadas) puede afectar la calidad de la llamada telefónica, dañar el dispositivo, anular su garantía y/o infringir las reglas de la FCC.

No use el dispositivo con una antena dañada. Una antena dañada puede producir una leve quemadura en la piel. Comuníquese con su distribuidor local para obtener un reemplazo de la antena.

## **Información para el consumidor sobre emisiones de radiofrecuencia**

Su dispositivo inalámbrico contiene un transmisor y receptor de radio y emite energía de radiofrecuencia al usarlo. La siguiente información para el consumidor responde las preguntas más frecuentes acerca de los efectos que los dispositivos inalámbricos pueden tener en la salud.

### **¿Son seguros los dispositivos inalámbricos?**

Hace ya varios años que se realizan investigaciones científicas acerca de los dispositivos inalámbricos y la energía de radiofrecuencia ("RF") en todo el mundo. En los Estados Unidos, la Administración de drogas y alimentos ("FDA", por su sigla en inglés) y la Comisión federal de comunicaciones ("FCC", por su sigla en inglés) establecen políticas y procedimientos para los dispositivos inalámbricos. La FDA emitió una publicación en su sitio web acerca de las cuestiones de la salud relacionadas con el uso de teléfonos celulares, donde declara que "la comunidad científica en general... cree que las evidencias científicas no indican una relación entre la exposición a la radiofrecuencia (RF) de los teléfonos celulares y resultados adversos para la salud. De todos modos, la comunidad científica recomienda realizar más investigaciones para poder dar

## Para su seguridad

respuesta a aquellas cuestiones que aún se desconocen. Esas investigaciones se realizan en todo el mundo y la FDA supervisa los avances en este campo. Puede obtener acceso al sitio web en común de la FDA y la FCC en <http://www.fda.gov> (en la letra "C" del índice de temas, seleccione Cell Phones > Research). También puede comunicarse gratuitamente con la FDA llamando al (888) 463-6332 o al (888) INFO-FDA. En junio de 2000, la FDA decidió formar parte de un acuerdo de desarrollo e investigación cooperativa mediante el cual se realizan investigaciones científicas. La FCC emitió su propia publicación en su sitio web, donde declaró que "no existen evidencias científicas que demuestren que el uso de dispositivos inalámbricos pueda provocar cáncer u otros problemas diversos, incluidos dolores de cabeza, mareos o pérdida de memoria".

Esta publicación está disponible en <http://www.fcc.gov/oet/rfsafety> o a través de la FCC llamando al (888) 225-5322 o al (888) CALL-FCC.

### ¿Qué significa "SAR"?

En 1996, la FCC, en un trabajo conjunto con la FDA, la Agencia de protección medioambiental de los EE. UU y otras agencias establecieron pautas de seguridad para la exposición a RF para dispositivos inalámbricos en los Estados Unidos. Antes de que un modelo de dispositivo

inalámbrico comience a venderse al público, el fabricante debe probar el dispositivo y la FCC debe certificar que no supere los límites establecidos. Uno de estos límites se expresa como la tasa de absorción específica (SAR, por su sigla en inglés). La SAR es una medida de la tasa de absorción de energía de RF en el cuerpo. Las pruebas para evaluar la SAR se realizan con el dispositivo transmitiendo a su máximo nivel de potencia en todas las bandas de frecuencia evaluadas. Desde 1996, la FCC exige que la SAR de los dispositivos inalámbricos de mano no superen los 1,6 watts por kilogramo, promediados sobre un gramo de tejido. Si bien la SAR se determina al máximo nivel de potencia, el valor real de la SAR de un dispositivo inalámbrico durante su funcionamiento puede ser menor que el valor de la SAR informado. Esto se debe a que el valor de la SAR puede variar entre una llamada y otra, en función de factores como la proximidad a un sitio de transmisión celular, la proximidad del dispositivo al cuerpo durante su uso y el uso de dispositivos de manos libres. Antes de que un modelo de dispositivo esté disponible para su venta al público, debe ser probarse y certificarse ante la FCC que no supera el límite establecido por el requisito adoptado por el gobierno para la exposición segura. Las pruebas se realizan en posiciones y ubicaciones

(por ejemplo, en la oreja y llevándolo en el cuerpo) según lo demanda la FCC para cada modelo.

Aun cuando puede haber diferencias entre los niveles de SAR de varios dispositivos y en varias posiciones, todos ellos cumplen el requisito gubernamental para una exposición segura.

La FCC ha otorgado una Autorización de equipo para este modelo de dispositivo con todos los niveles de SAR reportados y evaluados en cumplimiento de los lineamientos de emisión de RF de la FCC. La información de la SAR sobre este modelo de dispositivo está archivada en la FCC y puede encontrarse en la sección Display Grant de <http://www.fcc.gov/oet/ea/fccid/> después de buscar FCC ID ZNFV500.

Para obtener más información acerca de las SAR, consulte los boletines 56 y 65 de la Oficina de ingeniería y tecnología de la FCC en [http://www.fcc.gov/Bureaus/Engineering\\_Technology/Documents/bulletins](http://www.fcc.gov/Bureaus/Engineering_Technology/Documents/bulletins) o visite el sitio web de la Asociación de la industria de las telecomunicaciones celulares en [http://www.ctia.org/consumer\\_info/index.cfm/AID/10371](http://www.ctia.org/consumer_info/index.cfm/AID/10371). También puede comunicarse con el fabricante del dispositivo.

## **¿Puedo minimizar mi exposición a la RF?**

Si le preocupa la RF, existen varios pasos simples que puede seguir para minimizar su exposición a la RF. Por supuesto, puede reducir el tiempo que habla por teléfono. Puede dejar más distancia entre su cuerpo y la fuente de RF, ya que el nivel de exposición disminuye drásticamente con la distancia. La FDA y FCC establecen en su sitio web que "los kit de manos libres pueden usarse con dispositivos inalámbricos para mayor conveniencia y comodidad. Estos sistemas reducen la absorción de energía de RF en la cabeza, dado que el dispositivo, que es la fuente de emisiones de radiofrecuencia, no se apoyará en la cabeza. Por otra parte, si el dispositivo se coloca en la cintura u otra parte del cuerpo durante el uso, esa parte del cuerpo absorberá más energía de RF. Los dispositivos inalámbricos comercializados en los Estados Unidos deben cumplir con los requisitos de seguridad, independientemente de que se los use en la cabeza o el cuerpo. El límite de seguridad debe respetarse en ambas configuraciones". Asimismo, si utiliza el dispositivo mientras está en un automóvil, puede usarlo con una antena en la parte exterior del vehículo. Además, debe leer y seguir las instrucciones del fabricante del dispositivo inalámbrico para el uso seguro del dispositivo.

## Para su seguridad

### **¿Los dispositivos inalámbricos representan un riesgo especial para los niños?**

La FDA y FCC establecen en su sitio web que "la evidencia científica no muestra ningún peligro para los usuarios de dispositivos de comunicación inalámbricos, incluidos los niños". Además, declaran que "algunos grupos patrocinados por otros gobiernos nacionales han recomendado que los niños no utilicen dispositivos inalámbricos". Por ejemplo, el informe Stewart del Reino Unido realizó esta recomendación en diciembre de 2000. En este informe, un grupo de expertos independientes declararon que no existen evidencias de que usar un teléfono celular provoque tumores cerebrales u otras enfermedades. La recomendación [del Reino Unido] de limitar el uso de teléfonos celulares en los niños era estrictamente preventiva; no se basaba en evidencias científicas de que exista un peligro para la salud". Puede acceder a una copia del folleto del Reino Unido en <http://www.dh.gov.uk> (busque la sección "mobile") o puede escribir a la siguiente dirección: NRPB, Chilton, Didcot, Oxon OX11 0RQ, Reino Unido. También puede acceder en línea a copias de los informes anuales del Reino Unido acerca de dispositivos móviles y RF en [www.iegmp.org.uk](http://www.iegmp.org.uk) y <http://www.hpa.org.uk/radiation/> (busque la sección "mobile"). Los padres que deseen reducir la exposición de sus hijos a la

RF pueden optar por restringir el uso que sus hijos realizan de los dispositivos inalámbricos.

### **¿Dónde puedo obtener más información sobre las emisiones de radiofrecuencia?**

Para obtener más información, consulte los siguientes recursos adicionales (sitios web vigentes desde abril de 2005):

#### **Comisión de drogas y alimentos de los EE. UU. (FDA)**

FDA Consumer magazine  
Noviembre-diciembre 2000  
Teléfono: (888) INFO-FDA

<http://www.fda.gov> (en la letra C del índice de temas, seleccione Cell Phones > Research.)

#### **Comisión federal de comunicaciones de los EE. UU.**

445 12th Street, S.W.  
Washington, D.C. 20554  
Teléfono: (888) 225-5322  
<http://www.fcc.gov/oet/rfsafety>

#### **Grupo independiente de expertos en dispositivos móviles**

<http://www.iegmp.org.uk>

**Paneles de expertos en riesgos  
potenciales para la salud de los campos  
de radiofrecuencia de dispositivos de  
telecomunicaciones inalámbricos de la Real  
Sociedad de Canadá**

283 Sparks Street

Ottawa, Ontario K1R 7X9

Canadá

Teléfono: (613) 991-6990

**Organización Mundial de la Salud**

Avenue Appia 20

1211 Geneva 27

Suiza

Teléfono: 011 41 22 791 21 11

<http://www.who.int/mediacentre/factsheets/fs193/en/>

**Comisión internacional para la protección  
contra radiación no ionizante**

c/o Bundesamt für Strahlenschutz

Ingolstaedter Landstr. 1

85764 Oberschleissheim

Alemania

Teléfono: 011 49 1888 333 2156

<http://www.icnirp.de>

**Precaución en el uso de Wi-Fi**

Este dispositivo puede funcionar en el modo 802.11a/n. Los dispositivos de 802.11a/n que funcionan en el rango de frecuencias de 5.15 – 5.25 GHz, están restringidos al uso en interiores para reducir las potenciales interferencias perjudiciales para los servicios de satélites móviles (Mobile Satellite Services, MSS) en los EE. UU. Los puntos de acceso de WIFI capaces de permitir que su dispositivo funcione en el modo 802.11a/n (en la banda de 5.15 – 5.25 GHz) están optimizados para ser utilizados únicamente en interiores.

Si su red de WIFI es capaz de funcionar en ese modo, restrinja su uso a los espacios interiores para no violar las reglamentaciones federales que protegen los servicios de satélites móviles.

**¡ADVERTENCIA!**

Este producto contiene los siguientes químicos conocidos al Estado de California como causante de cáncer, defectos de nacimiento o daños reproductivos:

- Níquel
- Tolueno
- Metil-isobutil-cetona
- Partículas de carbono de tamaño respirable

## Para su seguridad

**Sociedad de ingeniería en medicina y biología, Comisión del hombre y la radiación (COMAR, por su sigla en inglés) del Instituto de ingenieros eléctricos y electrónicos**

<http://ewh.ieee.org/soc/embs/comar/>

### **Información al consumidor sobre la SAR (Tasa de absorción específica, Specific Absorption Rate)**

Este modelo de dispositivo cumple con los requisitos gubernamentales de exposición a las ondas de radio.

Su dispositivo inalámbrico es un transmisor y receptor de radio. Está diseñado y fabricado para que no supere los límites de emisión para la exposición a la energía de radiofrecuencia (RF) establecidos por la Comisión federal de comunicaciones (FCC) del gobierno de los EE. UU. Estos límites son parte de extensos lineamientos y establecen los niveles permitidos de energía de RF para la población general. Estos lineamientos están basados en estándares que desarrollaron organizaciones científicas independientes por medio de una evaluación periódica y exhaustiva de los estudios científicos. Los estándares incluyen un notable margen de seguridad diseñado para garantizar la seguridad de todas las personas sin

importar su edad o estado de salud.

El estándar de exposición para los teléfonos celulares inalámbricos emplea una unidad de medida llamada Tasa de absorción específica o SAR. El límite de SAR establecido por la FCC es de 1,6 W/kg.

Las pruebas de SAR se llevan a cabo usando posiciones de operación estándar especificadas por la FCC con el dispositivo transmitiendo en su nivel de potencia certificado más elevado en todas las bandas de frecuencia probadas. Aunque la SAR se determina al nivel de potencia más alto certificado, el nivel de SAR real del dispositivo en funcionamiento puede estar muy por debajo del valor máximo. Dado que el dispositivo está diseñado para funcionar a varios niveles de potencia para usar solamente la potencia necesaria para llegar a la red, en general mientras más cerca esté de una antena de estación de base inalámbrica, menor será la potencia que se emitirá.

Antes de que un modelo de dispositivo esté disponible para su venta al público, debe ser probarse y certificarse ante la FCC que no supera el límite establecido por el requisito adoptado por el gobierno para la exposición segura. Las pruebas se realizan en posiciones y ubicaciones (por ejemplo, en la oreja y llevándolo en el cuerpo) según lo demanda la FCC para cada modelo.



El valor más elevado de SAR para este dispositivo cuando se lo utiliza sobre el cuerpo, según se describe en esta guía del usuario, es de **1,02 W/kg**. (Las medidas para el uso en el cuerpo difieren entre los modelos de dispositivos, y dependen de los accesorios disponibles y los requerimientos de la FCC). Si bien pueden existir diferencias entre los niveles de SAR de diversos dispositivos y en varias posiciones, todos cumplen con el requisito del Gobierno para una exposición segura.

La FCC ha otorgado una Autorización de equipo para este modelo de dispositivo con todos los niveles de SAR reportados y evaluados en cumplimiento de los lineamientos de emisión de RF de la FCC. La información de la SAR sobre este modelo de dispositivo está archivada en la FCC y puede encontrarse en la sección Display Grant de <http://www.fcc.gov/oet/fccid> después de buscar en FCC ID ZNFV500. Puede encontrar información adicional sobre tasas de absorción específicas en el sitio web de la Asociación de industrias de telecomunicaciones celulares (CTIA) en <http://www.ctia.org>.

\* En los Estados Unidos y el Canadá, el límite de la SAR para dispositivos móviles usado por el público es de 1,6 watt/kg (W/kg) en un promedio de más de un gramo de tejido. El estándar incluye

un margen sustancial de seguridad para dar una protección adicional al público y para tomar en cuenta cualquier variación en las mediciones.

## **Precaución:**

### **Evite una posible pérdida de la audición**

La exposición prolongada a sonidos fuertes (incluida la música) es la causa más común de pérdida de audición evitable. Algunas investigaciones científicas sugieren que el uso de dispositivos de audio portátiles, como reproductores de música portátiles y teléfonos celulares, a altos volúmenes durante períodos prolongados puede provocar una pérdida de la audición permanente inducida por el ruido. Esto incluye el uso de auriculares (incluidos los auriculares estándares, los intraauriculares y los dispositivos Bluetooth® u otros dispositivos inalámbricos). En algunos estudios, la exposición a ruidos muy fuertes también ha estado asociada con la presencia de zumbido de oídos, hipersensibilidad al sonido y distorsión de la audición. La susceptibilidad de las personas a la pérdida de audición inducida por el ruido y otros posibles problemas de audición varía. La cantidad de ruido emitida por un dispositivo de audio portátil varía según la naturaleza del sonido, el dispositivo, la configuración del dispositivo

## Para su seguridad

y los auriculares. Al usar cualquier dispositivo de audio portátil, debe seguir las siguientes recomendaciones de sentido común:

- Establezca el volumen en un entorno tranquilo y seleccione el volumen más bajo en el que pueda oír adecuadamente.
- Al usar auriculares, baje el volumen si no puede oír a una persona que le habla de cerca o si una persona sentada a su lado puede oír lo que usted está escuchando.
- No suba el volumen para tapar los sonidos de un entorno ruidoso. Si opta por escuchar el dispositivo portátil en un entorno ruidoso, use auriculares que anulen los ruidos para tapar el ruido del entorno que lo rodea.
- Limite la cantidad de tiempo que escucha el dispositivo. A medida que el volumen aumente, se necesitará menos tiempo para que su audición se vea afectada.
- Evite utilizar auriculares después de la exposición a ruidos extremadamente fuertes, como conciertos de rock, que puedan provocar la pérdida temporal de la audición. La pérdida temporal de la audición puede hacer que volúmenes inseguros parezcan normales.

- No escuche a un volumen que le provoque molestias. Si experimenta zumbido en los oídos, oye conversaciones apagadas o experimenta alguna dificultad temporal en la audición después de escuchar un dispositivo de audio portátil, deje de usarlo y consulte a su médico.

### **Usted puede obtener la información adicional sobre este tema de las fuentes siguientes:**

American Academy of Audiology (Academia estadounidense de audiología)

11730 Plaza American Drive, Suite 300  
Reston, VA 20190

Voz: (800) 222-2336

Correo electrónico: [info@audiology.org](mailto:info@audiology.org)

Internet: [www.audiology.org](http://www.audiology.org)

National Institute on Deafness and Other Communication Disorders (Instituto nacional de sordera y otros trastornos de comunicación)

Institutos Nacionales de la Salud  
31 Center Drive, MSC 2320

Bethesda, MD USA 20892-2320

Voz: (301) 496-7243

Correo electrónico: [nidcdinfo@nih.gov](mailto:nidcdinfo@nih.gov)  
Internet: <http://www.nidcd.nih.gov/health/hearing>  
National Institute for Occupational Safety and Health (Instituto Nacional para la Seguridad y Salud Laborales)  
Hubert H. Humphrey Bldg.  
200 Independence Ave., SW  
Washington, DC 20201  
Voz: 1-800-35-NIOSH (1-800-356-4674)  
Internet: <http://www.cdc.gov/niosh/topics/noise/default.html>

### **Información de seguridad de TIA**

A continuación se incluye información de seguridad de la Asociación de la industria de las telecomunicaciones (TIA) para dispositivos inalámbricos de mano.

### **Exposición a las señales de radiofrecuencia**

El dispositivo inalámbrico manual portátil es un transmisor y receptor de radio de baja potencia. Cuando está encendido, recibe y envía señales de radiofrecuencia (RF).

En agosto de 1996, la Comisión federal de comunicaciones (FCC) de los EE. UU. adoptó lineamientos de exposición a RF con niveles de seguridad para dispositivos inalámbricos de mano. Esos lineamientos se corresponden con la norma de seguridad establecida previamente por los organismos de normas tanto de los EE. UU. como internacionales:

ANSI C95.1 (1992) \*

Informe NCRP 86 (1986)

ICNIRP (1996)

\* Instituto de estándares nacionales de los EE. UU., Consejo nacional para las mediciones y la protección contra la radiación, Comisión internacional de protección contra la radiación no ionizante.

Estos estándares se basaron en evaluaciones amplias y periódicas de la literatura científica pertinente. Por ejemplo, más de 120 científicos, ingenieros y médicos de universidades, instituciones de salud gubernamentales y la industria analizaron el corpus de investigación disponible para desarrollar el estándar ANSI (C95.1).

## Para su seguridad

El diseño de su dispositivo cumple los lineamientos de la FCC (y esas normas internacionales).

### **Cuidado de la antena**

Utilice solamente la antena incluida o una antena de reemplazo aprobada. Las antenas, modificaciones o accesorios no autorizados pueden dañar el dispositivo y violar los reglamentos de la FCC.

### **Sugerencias para un funcionamiento más eficiente**

Para que su dispositivo funcione con la máxima eficiencia:

No toque la antena innecesariamente cuando esté usando el dispositivo. El contacto con la antena afecta la calidad de la llamada y puede ocasionar que el dispositivo funcione a un nivel de potencia mayor que el que necesitaría de otro modo.

### **Dispositivos electrónicos**

La mayoría del equipo electrónico moderno está blindado contra las señales de RF. Sin embargo, algunos equipos electrónicos pueden no estar blindados contra las señales de RF de su dispositivo inalámbrico.

### **Marcapasos**

La Asociación de fabricantes del sector de la salud recomienda mantener al menos 15 cm (6 pulgadas) de distancia entre el dispositivo inalámbrico portátil y el marcapasos para evitar posibles interferencias con el marcapasos. Estas recomendaciones son coherentes con las investigaciones independientes y las recomendaciones de Investigación en tecnología inalámbrica.

Las personas con marcapasos:

- SIEMPRE deben mantener el dispositivo a más de quince centímetros (seis pulgadas) del marcapasos cuando el dispositivo está encendido.
- No deben llevar el dispositivo en un bolsillo del pecho.
- Deben usar el oído opuesto al marcapasos para reducir la posibilidad de interferencia.
- Deben apagar el dispositivo inmediatamente si existe algún motivo para sospechar que se está produciendo una interferencia.

## **Audífonos**

Es posible que algunos dispositivos inalámbricos digitales interfieran con algunos audífonos. En caso de interferencia, se recomienda consultar al proveedor de servicios (o llamar a la línea de servicio al cliente para analizar las alternativas).

## **Otros dispositivos médicos**

Si usa cualquier otro dispositivo médico personal, consulte al fabricante de dicho dispositivo para saber si está adecuadamente blindado contra la energía de RF externa. Es posible que su médico pueda ayudarlo a conseguir dicha información.

## **Centros de atención médica**

Apague el dispositivo cuando se encuentre en instalaciones de asistencia médica en las que haya letreros que así lo indiquen. Los hospitales o las instalaciones de atención médica pueden emplear equipos que podrían ser sensibles a la energía de RF externa.

## **Vehículos**

Las señales de RF pueden afectar a los sistemas electrónicos mal instalados o blindados de manera inadecuada en los vehículos automotores. Compruebe con el fabricante o con su representante respecto de su vehículo. También debería consultar al fabricante de cualquier equipo que le haya añadido a su vehículo.

## **Instalaciones con letreros**

Apague el dispositivo en cualquier instalación donde así lo exijan los letreros de aviso.

## **Aviones**

Los reglamentos de la FCC prohíben el uso del dispositivo en el aire. APAGUE el dispositivo antes de abordar un avión.

## **Áreas de explosivos**

Para evitar la interferencia con operaciones de cargas explosivas, APAGUE el dispositivo cuando esté en un "área de explosiones" o en áreas con letreros que indiquen: "Apague los radios de dos vías". Obedezca todos los letreros e instrucciones.

## **Atmósfera potencialmente explosiva**

Apague el dispositivo cuando esté en un área con una atmósfera potencialmente explosiva y obedezca todos los letreros e instrucciones. Las chispas en dichas áreas pueden causar una explosión o un incendio que den como resultado lesiones personales o incluso la muerte.

Por lo general, las áreas con una atmósfera potencialmente explosiva están claramente marcadas, pero no siempre. Entre las áreas potenciales tenemos: áreas de abastecimiento de combustible (como las estaciones de gasolina); áreas bajo la cubierta en navíos; instalaciones de

## Para su seguridad

transferencia o almacenamiento de productos químicos, vehículos que usan gas de petróleo licuado (como el propano o el butano), áreas donde el aire contiene sustancias o partículas (como granos, polvo o polvillos metálicos) y cualquier otra área donde normalmente se le indicaría que apague el motor de su vehículo.

### **Para vehículos equipados con bolsas de aire**

Una bolsa de aire se infla con gran fuerza. NO coloque objetos, incluido el equipo inalámbrico, ya sea instalado o portátil, en el área que está sobre el airbag o en el área donde se despliega el airbag. Si el equipo inalámbrico del interior del vehículo está mal instalado y se infla la bolsa de aire, pueden producirse graves lesiones.

### **Conducción**

Compruebe las leyes y los reglamentos correspondientes al uso de teléfonos inalámbricos en las áreas donde usted conduce y siempre obedézcalos. Además, si usa el teléfono mientras conduce, tenga en cuenta lo siguiente:

- Preste toda su atención a la conducción - la conducción con seguridad es su primera responsabilidad.

- Use la operación de manos libres, si la tiene.
- Salga del camino y estacionese antes de realizar o recibir una llamada si las condiciones de conducción o la ley así lo demandan.

*Para información acerca de las actualizaciones de los consumidores por la FDA, visite [www.fda.gov](http://www.fda.gov)*

# Declaración de garantía limitada

## 1. LO QUE CUBRE ESTA GARANTIA:

LG le ofrece una garantía limitada de que la unidad de suscriptor adjunta y sus accesorios incluidos estarán libres de defectos de materiales y mano de obra según los términos y condiciones siguientes:

- (1) La garantía limitada del producto se prolonga durante DOCE (12) MESES contado a partir de la fecha de adquisición del producto. El periodo de garantía restante QUINCE (15) MESES de la unidad que se está reparando o sustituyendo se determinará mediante la presentación del recibo de ventas original por la compra de la unidad.
- (2) La garantía limitada se extiende solo al comprador original del producto y no es asignable ni transferible a ningún otro comprador o usuario final subsecuentes.
- (3) Esta garantía solo es buena para el comprador original del producto durante el periodo de garantía siempre que sea en los EE.UU., incluidos Alaska, Hawaii, los territorios de los EE.UU. y todas las provincias canadienses.
- (4) La carcasa externa y las partes cosméticas estarán libres de defectos al momento de la distribución, y por tanto no estarán cubiertas por los términos de esta garantía limitada.
- (5) A solicitud de LG, el consumidor deberá aportar información aceptable para probar la fecha de compra.
- (6) El cliente se hará cargo del costo de envío del producto al Departamento de servicio al cliente de LG. LG se hará cargo del costo de envío del producto de vuelta al consumidor después de realizar el servicio según esta garantía limitada.

## 2. LO QUE NO CUBRE ESTA GARANTIA:

- (1) Defectos o daños producto del uso del producto de una forma distinta de la normal y acostumbrada.
- (2) Defectos o daños producto de un uso anormal, condiciones anormales, almacenamiento inadecuado, exposición a humedad o agua, modificaciones no autorizadas, conexiones no autorizadas, reparación no autorizada, mal uso, negligencia, abuso, accidentes, alteraciones, instalación incorrecta o cualquier otro acto que no sea responsabilidad de LG, incluido el daño causado por la transportación, fusibles fundidos y derrames de alimentos o líquidos.
- (3) Rotura o daños a las antenas a menos que hayan sido ocasionadas directamente por defectos en los materiales o mano de obra.
- (4) El consumidor debe notificar al Departamento de servicio al cliente de LG el supuesto defecto o desperfecto del producto durante el periodo de garantía limitada aplicable para hacer efectiva la garantía.
- (5) Productos a los que se haya eliminado el número de serie, o en los que este sea ilegible.
- (6) Esta garantía limitada se otorga en lugar de cualquier otra garantía, explícita o implícita, de hecho o por lo dispuesto en las leyes, establecido por ellas o implicado, incluso, aunque de manera enunciativa y no limitativa, cualquier garantía implícita de comerciabilidad o adecuación para un uso en particular.

- (7) Daños resultantes del uso de accesorios no aprobados por LG.
- (8) Todas las superficies de plástico y todas las demás piezas externas expuestas que se rayen o dañen debido al uso normal por parte del cliente.
- (9) Productos que hayan sido puestos en funcionamiento por encima de las limitaciones máximas indicadas.
- (10) Productos utilizados u obtenidos en un programa de arrendamiento.
- (11) Consumibles (como sería el caso de los fusibles).

### 3. LO QUE HARÁ LG:

LG, a su exclusivo criterio, reparará, reemplazará o reembolsará el precio de compra de cualquier unidad que no cumpla con la presente garantía limitada. LG puede, a su elección, optar por usar partes o unidades nuevas, restauradas o reacondicionadas equivalentes en cuanto a funcionalidad. Además, LG no reinstalará o realizará copias de seguridad de ningún dato, aplicación o software que el usuario haya agregado al teléfono. Por lo tanto, se recomienda que usted realice una copia de seguridad de todo dato o información de ese tipo antes de enviar la unidad a LG, de modo de evitar una pérdida permanente de esa información.

### 4. DERECHOS SEGÚN LA LEGISLACIÓN ESTATAL:

A este producto no le es aplicable ninguna otra garantía explícita. LA DURACIÓN DE CUALQUIER GARANTÍA IMPLÍCITA, INCLUIDA LA GARANTÍA IMPLÍCITA DE COMERCIABILIDAD O COMERCIALIZACIÓN O APTITUD PARA UN PROPÓSITO PARTICULAR, ESTÁ LIMITADA A LA DURACIÓN DE LA GARANTÍA EXPLÍCITA INCLUIDA EN EL PRESENTE. LG NO SERÁ RESPONSABLE POR LA PÉRDIDA DE USO DEL PRODUCTO, LOS INCONVENIENTES, LA PÉRDIDA O CUALQUIER OTRO DAÑO, DIRECTO O CONSECUENTE, QUE SURJA DEL USO DEL PRODUCTO O DE LA IMPOSIBILIDAD DE USARLO, O DE UNA VIOLACIÓN DE CUALQUIER GARANTÍA EXPLÍCITA O IMPLÍCITA, INCLUIDA LA GARANTÍA IMPLÍCITA DE COMERCIABILIDAD O COMERCIALIZACIÓN O APTITUD PARA UN PROPÓSITO PARTICULAR APLICABLE A ESTE PRODUCTO.

Algunos estados no permiten la exclusión o limitación de daños incidentales o consecuenciales, o no permiten limitaciones al tiempo de duración de una garantía implícita, de modo que estas limitaciones o exclusiones podrían no aplicársele a usted. Esta garantía le da derechos legales concretos, y podría tener otros derechos que varían de un estado a otro.

### 5. CÓMO OBTENER SERVICIO POR LA GARANTÍA:

Para obtener servicio de esta garantía llame al siguiente teléfono desde cualquier ubicación continental de los Estados Unidos:

**Tel. 1-800-793-8896**

O visite <http://us.lgservice.com>. También puede enviar correspondencia a:  
LG Electronics Service- Mobile Handsets, P.O. Box 240007, Huntsville, AL 35824

**NO DEVUELVA SU PRODUCTO A LA DIRECCIÓN ARRIBA INDICADA.** Llame o escriba para conocer la ubicación del centro de servicio autorizado LG más cercano a usted y los procedimientos necesarios para presentar una reclamación por garantía.



