



LG Kitchen Collection

Built-In Cooking Appliances

Life's Good.





Introducing the LG Kitchen Collection

Complete your dream LG kitchen

Complete your kitchen with the LG range of cooking appliances, designed to complement our award-winning fridges and dishwashers. Elevate your culinary experience with our selection of ovens, cooktops, rangehoods, and more, all crafted to transform your kitchen with sophistication, style and smarts.

Explore new cooking frontiers and flavours with LG ovens' versatile cooking modes including Steam, Air Fry, Sous Vide, Dehydrating, Pizza and more. Check on cooking progress with the 'Knock, knock' InstaView™ oven door. Experience easy maintenance with LG Blue EasyClean™ or Pyrolytic Self-cleaning, and smart kitchen connectivity with the LG ThinQ® app.*

*Feature set varies by model. LG ThinQ® app & compatible smartphone required with mobile data or home Wi-Fi connection. Refer to lg.com.au/lg-thinq for details.

Life's Good.





LG Kitchen Collection

The technology you were
looking for, without compromises

Life's Good	7
Sustainability	9
Ovens	11
Induction Cooktops	31
Rangehoods	44
Product Features Comparison	50

Life's Good.



Life's Good.

Optimism, passion for innovation, and commitment to a better future,
for the people and our Planet.

We believe in the incommensurable beauty of those small things that
help us enjoy every moment to the fullest. Such as cooking for someone
we love, entertaining friends, and making the kitchen the true heart
of our home.

Since 1958, we haven't just been producing high-end appliances,
TVs and computers. Since the beginning, we have been part of people's
everyday life, trying to make it better. And we want to continue to do so,
by anticipating their needs, while looking at the future. Starting from
the kitchen.

In our kitchens, we live, we fall in love, we pamper those close to us,
we savour and we ponder. At the end of the day, we clean up and get ready
for tomorrow, for the new episodes in the series of our life.
Which becomes simpler, more functional, smarter, day after day.



Innovation for a Better Life

LG Electronics' ESG commitment

Our mission is summed up in the claim "Innovation for a Better Life", which highlights our ambition to create innovation that makes people's everyday life better and reduces the impact on the world. Our ESG Strategy (Environmental, Social, Governance) is condensed in the 6-step Better Life Plan 2030.

Better Earth

In 2019, we launched Zero Carbon 2030, an initiative to reduce our net carbon emissions to zero in our global operations before 2030.

Better Ecoproducts

We will reduce the use of virgin plastics and increase the use of recycled plastics, to reach our goal of 600,000 tons before 2030 - that is, 30 times the quantity we've used in 2020.

We are also committed to reduce greenhouse gas emissions generated while using our products.

Better Society

Our thorough workers' protection includes: respect for human rights, prohibition of forced and under-age labour, proper working shifts and suitable remuneration, freedom of association, and compliance with all labour standards.

Better Circularity

We will increase the quantity of e-waste recovered, to reach our goal of 8 million tons before 2030. In this sense, we are implementing several initiatives to collect and recycle electronic waste in 52 countries.

Better Workplace

We assess the sustainability of our suppliers' chain, through a multi-layered method, which includes: self-assessment systems by our suppliers; direct on-site inspections and third-party certifications; adoption of a code based on the RBA Code of Conduct and other international standards.

Better Access

We want to make technology accessible to all, regardless of their age, gender, or physical or mobility restrictions. This is the reason why we strive to develop universal product designs and useful functions to improve the user experience.



Manual Cook
Steam Cook
Recipe Cook
My Recipes
Cleaning
Settings

LG



InstaView™ Ovens

The food you love, cooked to perfection

In our InstaView™ ovens, technological innovation meets fine dining, to allow you to express your flair, your imagination, and your cooking techniques. Free your creativity, from simple recipes to the most challenging dishes.

InstaView™ Technology

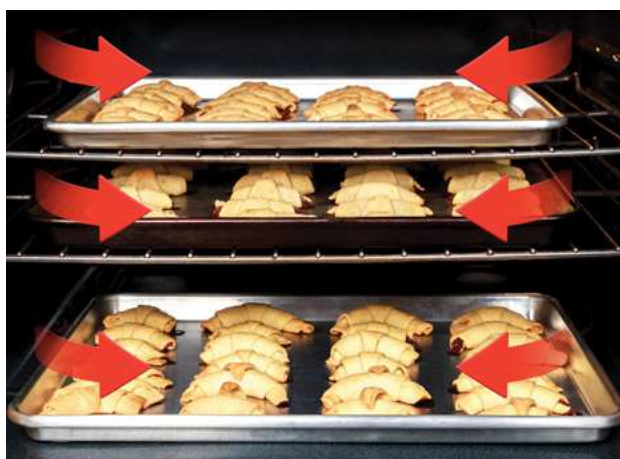


InstaView™ Technology

Knock twice, see inside

InstaView™ is our exclusive technology that makes your oven even more user-friendly. No need to press buttons or turn knobs to switch on the oven light: just knock twice on the glass to turn it on and see what's cooking!

ProBake™ Convection Technology



ProBake™ Convection Technology

Perfectly cooked, on every level

Our ovens are equipped with the ProBake™ Convection Technology, which delivers a direct and constant flow of hot air on each rack, so that all dishes are cooked evenly. And with its 76-litre capacity, you can cook just about anything in it.

Steam cooking



Full Steam Cooking

True steam cooking

With steam, you can cook healthy dishes that retain all nutrients. A dedicated steam generator collects water from the internal tank, and envelops food in a steam bath*, at a temperature between 80 and 99°C.



Adjustable steam level

To each dish its own steam

Choose Full Steam Cooking or combine steam and heat to make your dishes crispy on the outside while staying moist on the inside. With the Steam Assist cook mode, you can adjust the steam intensity to 3 different levels (high, medium or low).



Removable built-in tank

Easy and handy to fill

Our steam ovens are equipped with a built-in 1-litre tank outside the oven cavity, which can be accessed directly from the control panel. Just press the tank button to open the panel automatically, remove the water tank and fill it up.

*Full Steam Cooking and Steam Assist Cooking available on select models only. For more information, read the Technical Specifications.

*Perforated steam tray pictured only included in B0609B2BG4 and B0609B1BG4 models.

Special cook modes



Steam and Air Sous-Vide

Cook like a pro

Sous-Vide - also known as 'vacuum cooking' - is a cooking technique employed by top chefs. It allows you to cook your dishes at low temperatures for a long time, making them tastier, while preserving their nutritional qualities. This mode uses a constant steam flow (or air flow, if the oven is not equipped with the steam function) at controlled temperature, which envelops food. Just prepare the vacuum package with all the ingredients, place it in the oven, and select the Sous-Vide mode.*



Air Fry by ProBake™

Crispy food, with less oil

Who doesn't love French fries or crispy hot wings? With the Air Fry mode, you can enjoy them in a lighter version! The air frying system makes frying lighter, by using less oil (or no oil at all), and with less fried food odours. The constant-temperature air flow, evenly distributed by the convection fan on the back, makes your dishes extra crispy.*



Pizza mode

Achieve pizzeria-worthy results

Pizza is an Italian art, and our ovens bring it directly to your home. The ProBake™ Convection system helps high-temperature air circulate more evenly, making the dough crispier and melting the mozzarella. Just select Pizza mode, set the temperature based on thickness of the dough, and your pizza will be ready in minutes.

*Air Fry mesh tray pictured not included.

*Vacuum sealer and bag required for Sous Vide cooking is not included.

Cleaning



Step 1. Select the EasyClean function



Step 2. Wait 10 minutes



Step 3. Clean with a cloth

Blue EasyClean™

Clean in 10 minutes without detergents

Thanks to the power of steam and LG's patented hydrophilic enamel, Blue EasyClean™ helps you clean your oven in 10 min and keep it looking like new – without any harmful chemicals nor high temperatures. Helps to save you time and effort.

*Blue EasyClean™ requires adding water to the water tank for steam models, or spraying water inside the oven for non-steam models. Results may vary depending on the degree of baked-in food residue and cleaning frequency.

Cleaning



Pyrolytic Self-Cleaning

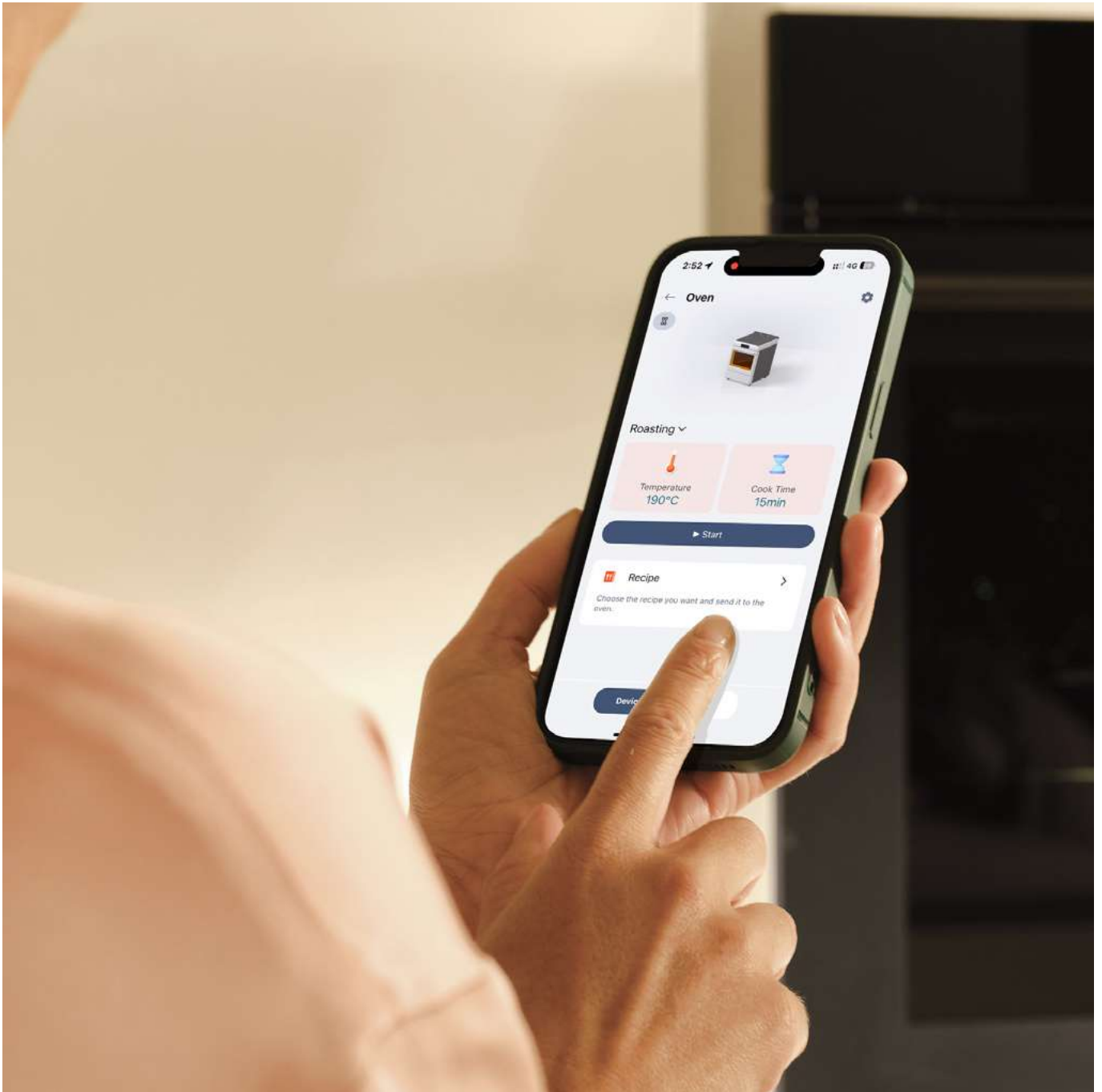
Remove tough dirt

Say goodbye to scrubbing! LG's powerful Pyrolytic Self-Cleaning burns off any heavier baked-in residues left from cooking. Your oven will be left spotless and sanitised without the need for harsh chemicals or scrubbing, with only a few ashes to wipe away.*

*Pyrolytic cleaning is not available in Full Steam models.

DEGREE OF SOILING	CYCLE SET-UP
Slightly soiled oven cavity	1 hour 15 minutes
Moderately soiled oven cavity	1 hour 30 minutes
Very soiled oven cavity	2 hours

Smart kitchen experience



LG ThinQ® Smart Kitchen

Your new kitchen assistant

Experience innovative simplicity and control with the convenience of smart cooking across your entire LG kitchen. Monitor, preheat, adjust cooking settings remotely and simplify your meal prep with Smart Recipes in the LG ThinQ® app.

*LG ThinQ® app & compatible smartphone required with mobile data or home Wi-Fi connection. Refer to lg.com.au/lg-thinq for details. Some remote control functions require activation of "Remote Start" feature on oven before usage.

Design and convenience



Matte Black Glass premium design



Vivid 4.3" touchscreen



Blue EasyClean™ hydrophilic enamel coating

Design

Timeless elegance

Experience an oven that's as beautiful as it is functional. The LG Full Steam ovens have been recognized for their outstanding design with awards like the iF Design Award and the Red Dot Award in 2023. Enjoy elegant and thoughtfully designed features such as the Matte Black Glass finish (which is less prone to fingerprint marks and easy to clean), a soft close & open door, a vivid and user-friendly 4.3" touchscreen, an ergonomically-designed handle, fully-extendable telescopic rails (for effortless access to baking racks and trays), and the stunning patented blue enamel interior coating (which is the secret to the Blue EasyClean™ feature).*

*Applies to BO609B2BG4 / BO609B1BG4 Full Steam Oven models.

BO609B2BG4 / BO609B1BG4

SERIES 9 – 76L InstaView Full Steam Oven with Blue EasyClean™

Matte Black Glass



- 76-litre XL cavity
- 23 Cook modes and 42 Auto Cook menus (Smart Recipes)
- 2 x sets of fully-extendable telescopic rails
- 2 x wire racks, 1 x universal tray, 1 x perforated steam tray, PLUS meat temperature probe for BO609B2BG4 model only.

- Steam generator with 1-litre tank
- Matte Black Glass finish
- Patented Blue EasyClean™ hydrophilic enamel
- Soft close and soft open door
- 4-layer insulated glass door
- Removable door and internal glass panels

Features



InstaView™

Two knocks on the glass to check on cooking progress without opening the door, to avoid letting heat out.



Blue EasyClean™

Thanks to steam and LG's patented hydrophilic enamel, Blue EasyClean™ helps you clean your oven in 10 min and keep it looking like new.



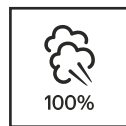
LG ThinQ® Smart Kitchen

Experience smart cooking with innovative simplicity and control. Use LG ThinQ® to monitor, preheat, and adjust settings remotely, and streamline meal prep with pre-programmed Smart Recipes.



Vivid 4.3" Touchscreen

Enjoy a seamless and intuitive cooking experience with a large touchscreen. Easily navigate settings, monitor cooking cycles, and control your oven with just a tap.



Full Steam Cooking

This innovative technology gently steams your food, locking in nutrients and flavours for delicious and healthy results.



Air Fry by ProBake™

Indulge in your favourite fried foods without the guilt! Air Fry by ProBake™ uses powerful air circulation to achieve crispy, golden results with significantly less oil.



Steam Sous Vide

Cook every dish to mouth-watering perfection, preserving all the aromas, flavours and nutrients, for the ultimate elevated taste experience.



ProBake™ Convection

Delivers powerful, precise heat circulation for consistent results on every rack. No more turning trays – helping you achieve perfectly browned bakes and roasts, every time.

Technical Specifications

OVEN CHARACTERISTICS

Cook mode	(23) Hot Air, Eco Hot Air, Top Bottom Heat, Roasting, Pizza Mode, Fan-Assisted Air, Large Grill, Small Grill, Bottom Heat, Eco Top Bottom Heat, Air Fry, Drying, Warm, Defrost, Frozen Meal, Proof, Warm Dishes. Steam programs: Steam, Steam-Hot Air, Steam-Roasting, Steam-Baking, Steam-Regenerating, Sous-Vide
Auto Cook Menus (Smart Recipes)	42
Min-max temperature (°C)	30 - 250
Oven cavity size (l)	76
Baking tray positioning levels	5
Lighting type	LED
Automatic safety switch-off	Yes
Soft close and soft open door	Yes
Control lock - Timer - Programmed cooking	Yes
Buzzer volume - Sabbath mode	Yes
Cleaning functions	Blue EasyClean™
Maintenance programs	Descaling, draining, evaporation
Accessories included	2 x sets of fully-extendable telescopic rails, 2 x wire racks, 1 x universal tray, 1 x perforated steam tray, PLUS meat temperature probe for BO609B2BG4 model only.

CONSUMPTION

Maximum absorbed power (kW)	3.5
Consumption-conventional cycle / fan-assisted cycle (kWh)	0.83 / 0.51
Plug type	3-prong wire
Power supply (V/Hz)	230V / 50Hz

SMART FUNCTIONS

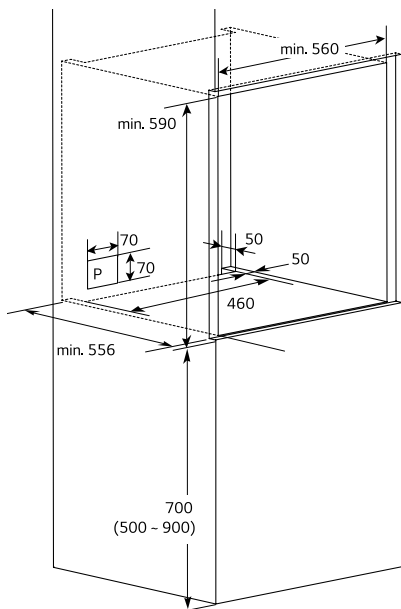
Wi-Fi with LG ThinQ® App	Yes
Smart Diagnosis™ with remote control	Yes
Recipe download / Recent recipe memory	Yes / 6

DIMENSIONS / WEIGHT

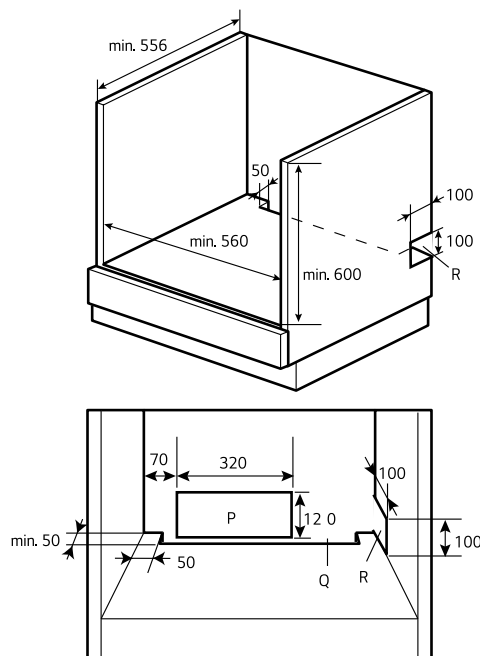
Net weight / With packaging (kg)	40.2 / 47.6
Product dimensions without the handle (W x H x D) (mm)	558 x 579 x 549
Built-in installation dimensions (W x H x D) (mm)	min. 560 x min. 590 x min. 556
Dimensions with packaging (W x H x D) (mm)	700 x 645 x 660
Oven cavity dimensions (W x H x D) (mm)	488 x 373 x 420

Technical drawings

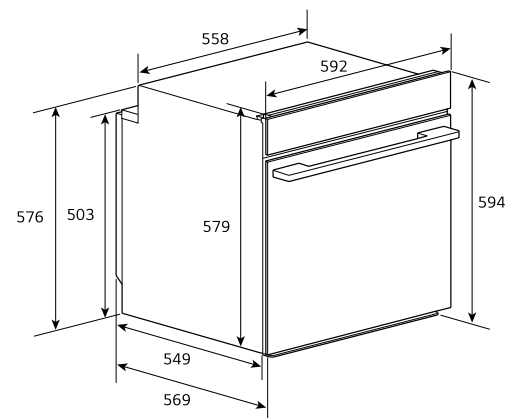
CABINET



UNDERTOP



PRODUCT



LEGEND

- P: cabinet back wall
- R: cabinet side wall
- Q: ventilation space

BO609T2MB4

SERIES 9 – 76L InstaView Steam Assist Oven with Blue EasyClean™

Black Stainless Steel



- 76-litre XL cavity
- 22 Cook modes and 34 Auto Cook menus (Smart Recipes)
- 2 x sets of fully-extendable telescopic rails
- 2 x wire racks, 1 x universal tray
- Steam generator with 1-litre tank
- Black Stainless Steel finish
- Patented Blue EasyClean™ enamelled oven cavity
- Soft close and soft open door
- 4-layer insulated glass door
- Removable door and internal glass panels

Features



InstaView™

Two knocks on the glass to check on cooking progress without opening the door, to avoid letting heat out.



Blue EasyClean™ and Pyrolytic Self-Cleaning

Dual cleaning modes, to help clean your oven in a few simple steps.



LG ThinQ® Smart Kitchen

Experience innovative simplicity and control with the convenience of smart cooking. Monitor, preheat, adjust cooking settings remotely via LG ThinQ®, and simplify your meal prep with pre-programmed Smart Recipes straight from your oven.



Vivid 4.3" Touchscreen

Enjoy a seamless and intuitive cooking experience with a large touchscreen. Easily navigate settings, monitor cooking cycles, and control your oven with just a tap.



Full Steam Cooking

This innovative technology gently steams your food, locking in nutrients and flavours for delicious and healthy results.



Air Fry by ProBake™

Indulge in your favourite fried foods without the guilt! Air Fry by ProBake™ uses powerful air circulation to achieve crispy, golden results with significantly less oil.



Air Sous Vide

Subtle and controlled heat helps cooks every dish and ingredients to mouth-watering perfection, preserving all the aromas, flavours and nutrients, for the ultimate elevated taste experience.



ProBake™ Convection

Delivers powerful, precise heat circulation for consistent results on every rack. No more turning trays – helping you achieve perfectly browned bakes and roasts, every time.

Technical Specifications

OVEN CHARACTERISTICS

Cook mode	(22) Hot Air, Eco Hot Air, Top Bottom Heat, Roasting, Pizza Mode, Fan-Assisted Air, Large Grill, Small Grill, Bottom Heat, Eco Top Bottom Heat, Air Fry, Air Sous-Vide, Drying, Warm, Defrost, Frozen Meal, Proof, Warm Dishes. Steam programs: Steam-Hot Air, Steam-Roasting, Steam-Baking, Steam-Regenerating
Auto Cook Menus (Smart Recipes)	34
Min-max temperature (°C)	30 - 300
Oven cavity size (l)	76
Baking tray positioning levels	5
Lighting type	Halogen
Automatic safety switch-off	Yes
Soft close and soft open door	Yes
Control lock - Timer - Programmed cooking	Yes
Buzzer volume - Sabbath mode	Yes
Cleaning functions	Blue EasyClean™, Pyrolytic Self-Cleaning
Maintenance programs	Descaling, draining, evaporation
Accessories included	2 x sets of fully-extendable telescopic rails, 2 x wire racks, 1 x universal tray

CONSUMPTION

Maximum absorbed power (kW)	3.5
Consumption - conventional cycle / fan-assisted cycle (kWh)	0.83 / 0.51
Plug type	3-prong wire
Power supply (V/Hz)	230V / 50Hz

SMART FUNCTIONS

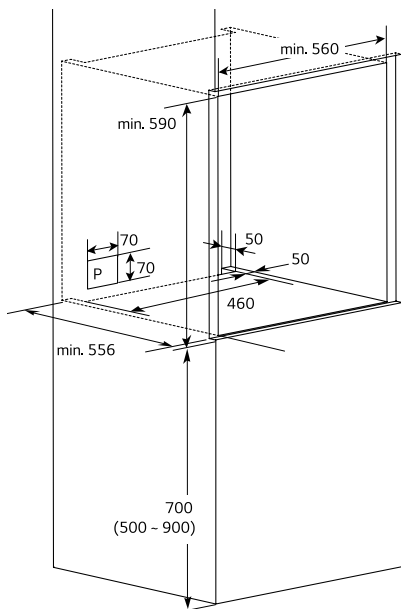
Wi-Fi with LG ThinQ® App	Yes
Smart Diagnosis™ with remote control	Yes
Recipe download / Recent recipe memory	Yes / 6

DIMENSIONS / WEIGHT

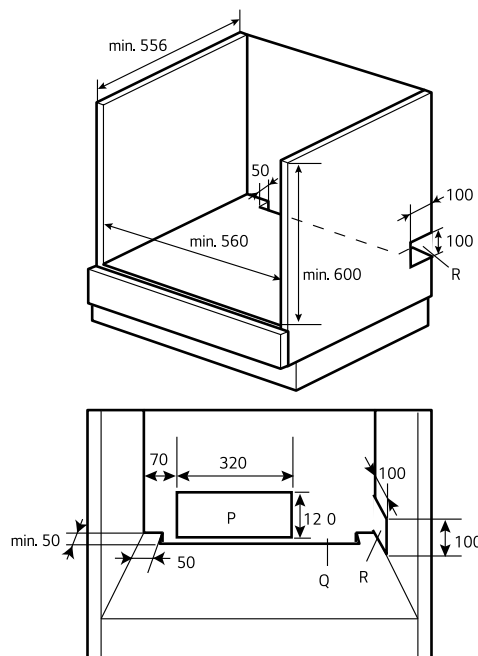
Net weight / With packaging (kg)	40.2 / 47.6
Product dimensions without the handle (W x H x D) (mm)	558 x 579 x 549
Built-in installation dimensions (W x H x D) (mm)	min. 560 x min. 590 x min. 556
Dimensions with packaging (W x H x D) (mm)	700 x 645 x 660
Oven cavity dimensions (W x H x D) (mm)	488 x 373 x 420

Technical drawings

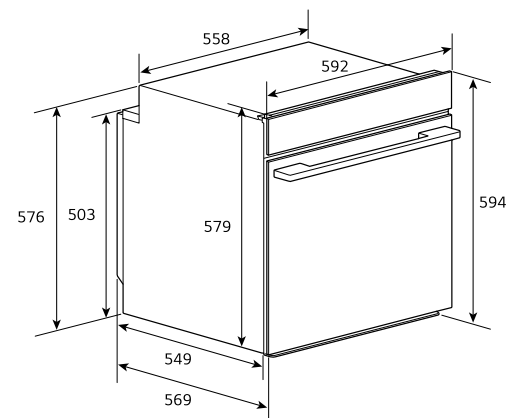
CABINET



UNDERTOP



PRODUCT



LEGEND

- P: cabinet back wall
- R: cabinet side wall
- Q: ventilation space

BO609T2S4

SERIES 9 – 76L InstaView Steam Assist Oven with Blue EasyClean™

Stainless Steel



- 76-litre XL cavity
- 22 Cook modes and 34 Auto Cook menus (Smart Recipes)
- 2 x sets of fully-extendable telescopic rails
- 2 x wire racks, 1 x universal tray
- Steam generator with 1-litre tank
- Stainless Steel finish
- Patented Blue EasyClean™ hydrophilic enamel
- Soft close and soft open door
- 4-layer insulated glass door
- Removable door and internal glass panels

Features



InstaView™

Two knocks on the glass to check on cooking progress without opening the door, to avoid letting heat out.



Full Steam Cooking

This innovative technology gently steams your food, locking in nutrients and flavours for delicious and healthy results.



Blue EasyClean™ and Pyrolytic Self-Cleaning

Dual cleaning modes, to help clean your oven in a few simple steps.



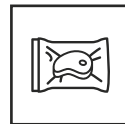
Air Fry by ProBake™

Indulge in your favourite fried foods without the guilt! Air Fry by ProBake™ uses powerful air circulation to achieve crispy, golden results with significantly less oil.



LG ThinQ® Smart Kitchen

Experience innovative simplicity and control with the convenience of smart cooking. Monitor, preheat, adjust cooking settings remotely via LG ThinQ®, and simplify your meal prep with pre-programmed Smart Recipes straight from your oven.



Air Sous Vide

Subtle and controlled heat helps cooks every dish and ingredients to mouth-watering perfection, preserving all the aromas, flavours and nutrients, for the ultimate elevated taste experience.



Vivid 4.3" Touchscreen

Enjoy a seamless and intuitive cooking experience with a large touchscreen. Easily navigate settings, monitor cooking cycles, and control your oven with just a tap.



ProBake™ Convection

Delivers powerful, precise heat circulation for consistent results on every rack. No more turning trays – helping you achieve perfectly browned bakes and roasts, every time.

Technical Specifications

OVEN CHARACTERISTICS

Cook mode	(22) Hot Air, Eco Hot Air, Top Bottom Heat, Roasting, Pizza Mode, Fan-Assisted Air, Large Grill, Small Grill, Bottom Heat, Eco Top Bottom Heat, Air Fry, Air Sous-Vide, Drying, Warm, Defrost, Frozen Meal, Proof, Warm Dishes. Steam programs: Steam-Hot Air, Steam-Roasting, Steam-Baking, Steam-Regenerating
Auto Cook Menus (Smart Recipes)	34
Min-max temperature (°C)	30 - 300
Oven cavity size (l)	76
Baking tray positioning levels	5
Lighting type	Halogen
Automatic safety switch-off	Yes
Soft close and soft open door	Yes
Control lock - Timer - Programmed cooking	Yes
Buzzer volume - Sabbath mode	Yes
Cleaning functions	Blue EasyClean™, Pyrolytic Self-Cleaning
Maintenance programs	Descaling, draining, evaporation
Accessories included	2 x sets of fully-extendable telescopic rails, 2 x wire racks, 1 x universal tray

CONSUMPTION

Maximum absorbed power (kW)	3.5
Consumption - conventional cycle / fan-assisted cycle (kWh)	0.83 / 0.51
Plug type	3-prong wire
Power supply (V/Hz)	230V / 50Hz

SMART FUNCTIONS

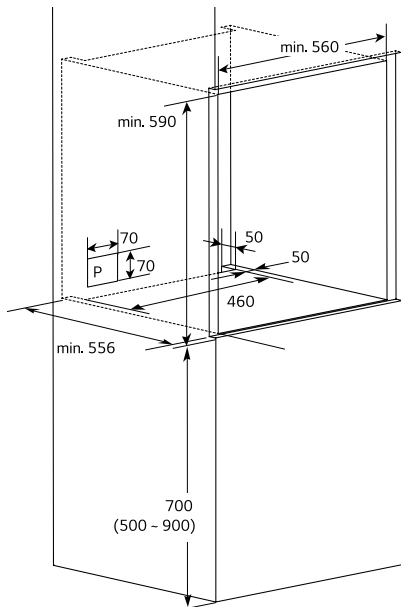
Wi-Fi with LG ThinQ® App	Yes
Smart Diagnosis™ with remote control	Yes
Recipe download / Recent recipe memory	Yes / 6

DIMENSIONS / WEIGHT

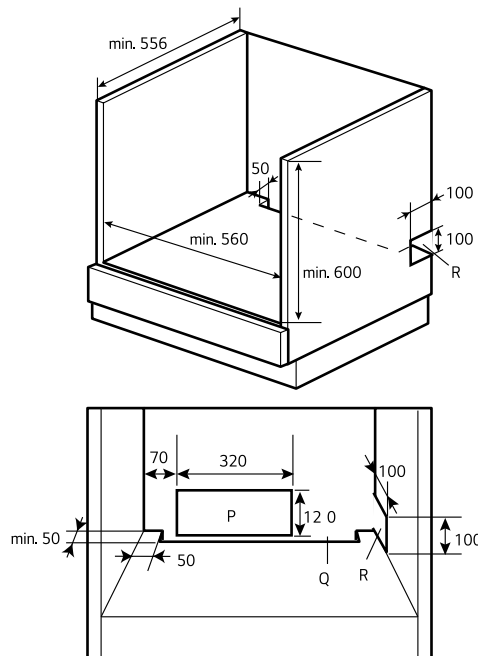
Net weight / With packaging (kg)	40.2 / 47.6
Product dimensions without the handle (W x H x D) (mm)	558 x 579 x 549
Built-in installation dimensions (W x H x D) (mm)	min. 560 x min. 590 x min. 556
Dimensions with packaging (W x H x D) (mm)	700 x 645 x 660
Oven cavity dimensions (W x H x D) (mm)	488 x 373 x 420

Technical drawings

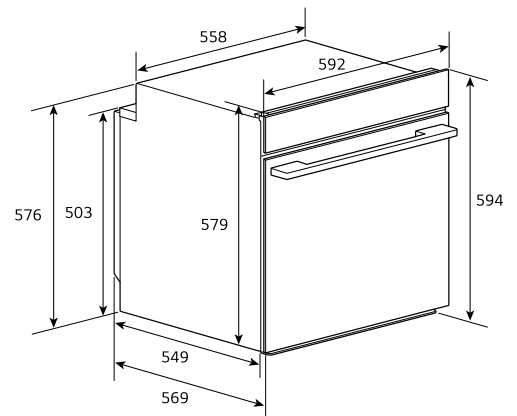
CABINET



UNDERTOP



PRODUCT



LEGEND

- P: cabinet back wall
- R: cabinet side wall
- Q: ventilation space

BO607G2MB4 / BO607G1MB4

SERIES 7 – 76L InstaView Pyrolytic Oven with Blue EasyClean™

Black Stainless Steel



- 76-litre XL cavity
- 15 Cook modes and 32 Auto Cook menus (Smart Recipes)
- Pizza, Air Sous-Vide and Air Fry Cook modes
- 1 x set of telescopic rails (BO607G2MB4: fully-extendable / BO607G1MB4: half-extendable)
- 2 x wire racks, 1 x universal tray
- Glass touch & knob controls
- Black Stainless Steel finish
- Patented Blue EasyClean™ hydrophilic enamel
- 4-layer insulated glass door
- Removable door and internal glass panels

Features



InstaView™

Two knocks on the glass to check on cooking progress without opening the door, to avoid letting heat out.



Blue EasyClean™

Thanks to steam and LG's patented hydrophilic enamel, Blue EasyClean™ helps you clean your oven in 10 min and keep it looking like new.



Pyrolytic Self-Cleaning

Burn off any heavier baked-in residues left from cooking. Your oven will be left spotless with only a few ashes to wipe away.



LG ThinQ® Smart Kitchen

Experience innovative simplicity and control with the convenience of smart cooking. Monitor, preheat, adjust cooking settings remotely via LG ThinQ®, and simplify your meal prep with pre-programmed Smart Recipes straight from your oven.



Air Fry by ProBake™

Indulge in your favourite fried foods without the guilt! Air Fry by ProBake™ uses powerful air circulation to achieve crispy, golden results with significantly less oil.



Air Sous Vide

Subtle and controlled heat helps cooks every dish and ingredients to mouth-watering perfection, preserving all the aromas, flavours and nutrients, for the ultimate elevated taste experience.



Pizza Mode

Achieve pizzeria-worthy results. This user-friendly setting takes the complexity out of pizza baking, helping to deliver crispy crusts and melted cheese.



ProBake™ Convection

Delivers powerful, precise heat circulation for consistent results on every rack. No more turning trays – helping you achieve perfectly browned bakes and roasts, every time.

Technical Specifications

OVEN CHARACTERISTICS

Cook mode	(15) Hot Air, Eco Hot Air, Top Bottom Heat, Roasting, Pizza Mode, Fan-Assisted Air, Large Grill, Small Grill, Bottom Heat, Eco Top Bottom Heat, Air Fry, Air Sous-Vide, Warm, Defrost, Frozen Meal, Proof
Auto Cook Menus (Smart Recipes)	32
Min-max temperature (°C)	30 - 300
Oven cavity size (l)	76
Baking tray positioning levels	5
Lighting type	Halogen
Automatic safety switch-off	Yes
Soft close and soft open doors	-
Control lock - Timer - Programmed cooking Buzzer volume - Sabbath mode	Yes
Cleaning functions	Blue EasyClean™, Pyrolytic Self-Cleaning
Maintenance programs	-
Accessories included	1 x set of telescopic rails (BO607G2MB4: fully-extendable / BO607G1MB4: half-extendable), 2 x wire racks, 1 x universal tray.

CONSUMPTION

Maximum absorbed power (kW)	3.5
Consumption - conventional cycle / fan-assisted cycle (kWh)	0.89 / 0.57
Plug type	3-prong wire
Power supply (V/Hz)	230V / 50Hz

SMART FUNCTIONS

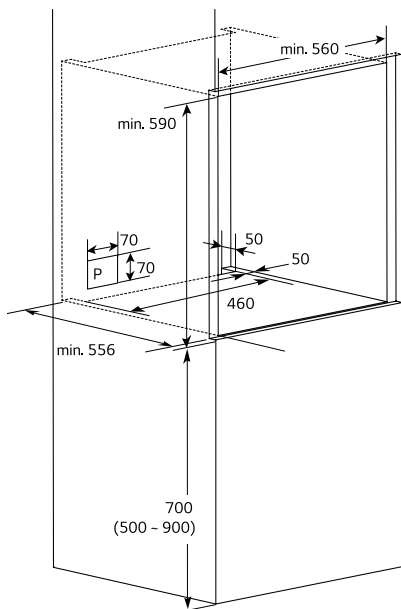
Wi-Fi with LG ThinQ® App	Yes
Smart Diagnosis™ with remote control	Yes
Recipe download / Recent recipe memory	- / -

DIMENSIONS / WEIGHT

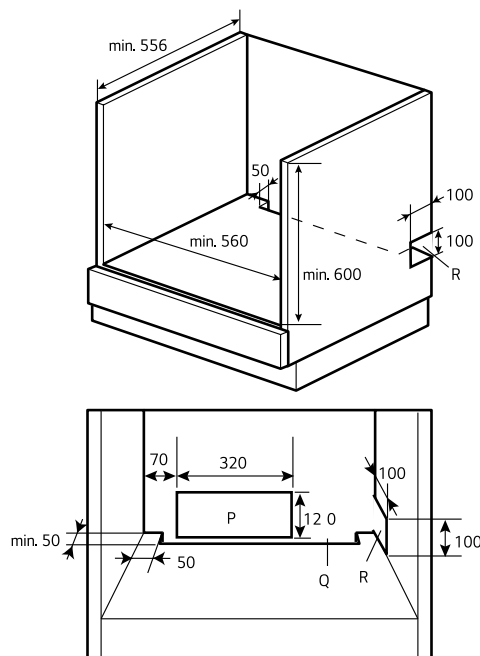
Net weight / With packaging (kg)	38.2 / 47.6
Product dimensions without the handle (W x H x D) (mm)	558 x 579 x 549
Built-in installation dimensions (W x H x D) (mm)	min. 560 x min. 590 x min. 556
Dimensions with packaging (W x H x D) (mm)	700 x 645 x 660
Oven cavity dimensions (W x H x D) (mm)	488 x 373 x 420

Technical drawings

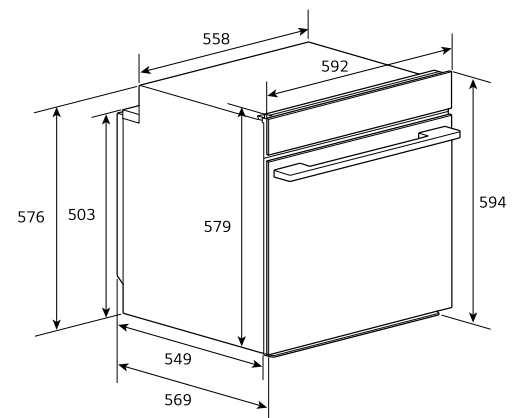
CABINET



UNDERTOP



PRODUCT



LEGEND

- P: cabinet back wall
- R: cabinet side wall
- Q: ventilation space

BO607G2S4 / BO607G1S4

SERIES 7 – 76L InstaView Pyrolytic Oven with Blue EasyClean™

Stainless Steel



- 76-litre XL cavity
- 15 Cook modes and 32 Auto Cook menus (Smart Recipes)
- Pizza, Air Sous-Vide and Air Fry Cook modes
- 1 x set of telescopic rails (BO607G2S4: fully-extendable / BO607G1S4: half-extendable)

- 2 x wire racks, 1 x universal tray
- Stainless Steel finish
- Glass touch & knob controls
- Patented Blue EasyClean™ hydrophilic enamel
- 4-layer insulated glass door
- Removable door and internal glass panels

Features



InstaView™

Two knocks on the glass to check on cooking progress without opening the door, to avoid letting heat out.



Blue EasyClean™

Thanks to steam and LG's patented hydrophilic enamel, Blue EasyClean™ helps you clean your oven in 10 min and keep it looking like new.



Pyrolytic Self-Cleaning

Burn off any heavier baked-in residues left from cooking. Your oven will be left spotless with only a few ashes to wipe away.



LG ThinQ® Smart Kitchen

Experience innovative simplicity and control with the convenience of smart cooking. Monitor, preheat, adjust cooking settings remotely via LG ThinQ®, and simplify your meal prep with pre-programmed Smart Recipes straight from your oven.



Air Fry by ProBake™

Indulge in your favourite fried foods without the guilt! Air Fry by ProBake™ uses powerful air circulation to achieve crispy, golden results with significantly less oil.



Air Sous Vide

Subtle and controlled heat helps cooks every dish and ingredients to mouth-watering perfection, preserving all the aromas, flavours and nutrients, for the ultimate elevated taste experience.



Pizza Mode

Achieve pizzeria-worthy results. This user-friendly setting takes the complexity out of pizza baking, helping to deliver crispy crusts and melted cheese.



ProBake™ Convection

Delivers powerful, precise heat circulation for consistent results on every rack. No more turning trays – helping you achieve perfectly browned bakes and roasts, every time.

Technical Specifications

OVEN CHARACTERISTICS

Auto Cook Menus (Smart Recipes)	(15) Hot Air, Eco Hot Air, Top Bottom Heat, Roasting, Pizza Mode, Fan-Assisted Air, Large Grill, Small Grill, Bottom Heat, Eco Top Bottom Heat, Air Fry, Air Sous-Vide, Warm, Defrost, Frozen Meal, Proof
Automatic Recipes	32
Min-max temperature (°C)	30 - 300
Oven cavity size (l)	76
Baking tray positioning levels	5
Lighting type	Halogen
Automatic safety switch-off	Yes
Soft close and soft open door	-
Control lock - Timer - Programmed cooking Buzzer volume - Sabbath mode	Yes
Cleaning functions	Blue EasyClean™, Pyrolytic Self-Cleaning
Maintenance programs	-
Accessories included	1 x set of telescopic rails (BO607G2S4: fully-extendable / BO607G1S4: half-extendable)

CONSUMPTION

Maximum absorbed power (kW)	3.5
Consumption - conventional cycle / fan-assisted cycle (kWh)	0.89 / 0.57
Plug type	3-prong wire
Power supply (V/Hz)	230V / 50Hz

SMART FUNCTIONS

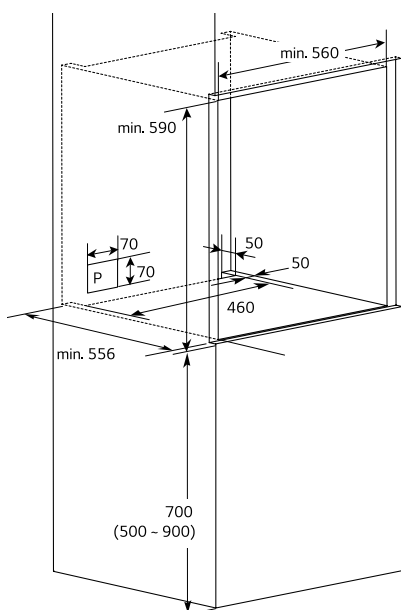
Wi-Fi with LG ThinQ® App	Yes
Smart Diagnosis™ with remote control	Yes
Recipe download / Recent recipe memory	- / -

DIMENSIONS / WEIGHT

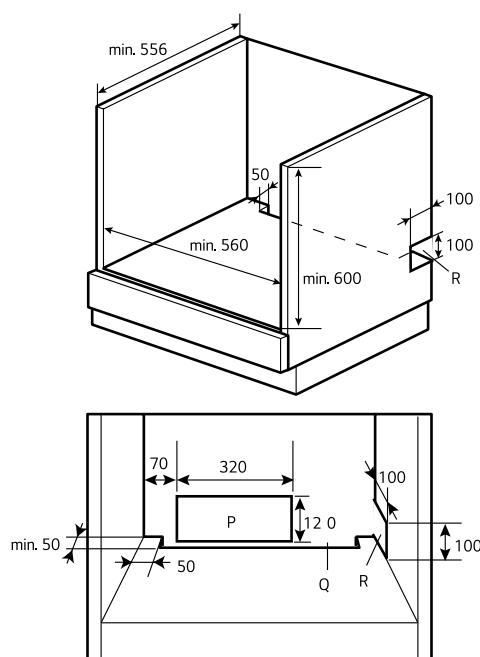
Net weight / With packaging (kg)	38.2 / 47.6
Product dimensions without the handle (W x H x D) (mm)	558 x 579 x 549
Built-in installation dimensions (W x H x D) (mm)	min. 560 x min. 590 x min. 556
Dimensions with packaging (W x H x D) (mm)	700 x 645 x 660
Oven cavity dimensions (W x H x D) (mm)	488 x 373 x 420

Technical drawings

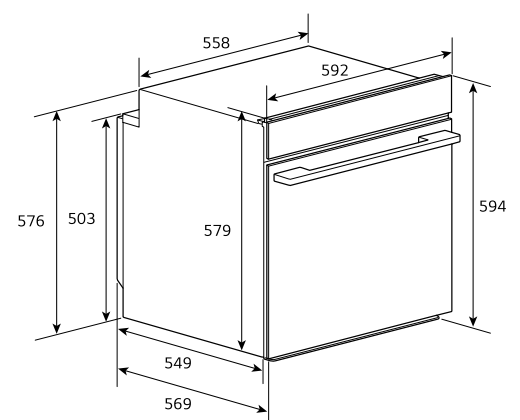
CABINET



UNDERTOP



PRODUCT



LEGEND

- P: cabinet back wall
- R: cabinet side wall
- Q: ventilation space

LG



FLEX

15

0

8

15-B

FLEX

15

0

8

8



Induction Cooktops

Add a modern touch to your kitchen, with our induction cooktops. Their minimal design and innovative functions will help you prepare your dishes in an efficient and elegant way.



Our technology



Flexi Zones

Suitable for pots and pans of different formats and sizes

Combine two cooking zones to create a single one. In this way, you can cook your dishes even in large pans or baking trays, heated up by two zones at the same time.

Our induction cooktops have one or two Flexi Zones, depending on the model.



15 power levels and boost

Precise and powerful cooking

You can adjust the power of each zone based on what you are preparing, to optimize cooking times and performance. Rapidly boil water or heat pans to the perfect sizzling temperature with 3.7kW max Power Boost.



Sliding Touch Controls

Speed, precision and safety

Say goodbye to repeatedly pressing + and - buttons! Enjoy independent sliding touch controls to adjust the power of each burner and a residual heat indicator for each cooking zone.

Our technology



ThinQ® Auto-Hood Activation

Sync your LG Cooktop and Hood

LG Rangehoods automatically activate and turn off in sync with LG Induction Cooktops via ThinQ®, so you can focus on cooking while smart connectivity takes care of the rest. The ThinQ® app lets you monitor each burner and timer, and keep tabs on your total usage daily, weekly, or monthly.*



Schott Ceran® black glass

Timeless style

We carefully design every element of our induction cooktops. Schott Ceran® ceramic glass is sturdy and high quality, and easy to clean. The cooktop glass surface is enhanced by elegantly bevelled edges.



Safety systems

Help protect your family

Use the child safety lock to help keep your little ones from unintentionally turning on the induction cooktop. To help prevent accidental burns, LG Induction Cooktops come with 2-stage residual heat indicator lights that turn on when the surface is hot and stay on until it cools down.

*LG ThinQ® app & compatible smartphone required with mobile data or home Wi-Fi connection. Refer to lg.com.au/lg-thinq for details.

BCI807T4BG

80cm Induction Cooktop, 4 Cooking Zones incl. 1 Flexi – with Power Boost



- 4 cooking zones including 1 Flexi Zone
- 15 power levels and boost
- 5-level power limiter (2.5 - 7.4 kW)
- Independent slide touch control in each zone
- White LED lighting
- Black ceramic glass with bevelled edges
- Wi-Fi and smart functions

Features



Flexi Zone

4 independent zones including 1 Flexi Zone to accommodate pots and pans of different shapes and sizes.



Sliding Touch Controls

Enjoy independent sliding touch controls to adjust the power of each burner and a residual heat indicator for each cooking zone.



Child Safety Lock

Use the child safety lock to help keep your little ones from unintentionally turning on the induction cooktop.



Power limiter

You can limit the maximum power output on 5 levels - 2.5 kW / 3.5 kW / 4.5 kW / 6 kW / 7.4 kW.



Schott Ceran® ceramic glass

Schott Ceran® ceramic glass is sturdy and high quality, and easy to clean.



LG ThinQ® Smart Kitchen

Experience innovative simplicity and control with the convenience of smart cooking.

Technical Specifications

INDUCTION HOB CHARACTERISTICS

Number of cooking zones	4
- of which Flexi Zones	1
Flexi Zone position	Left front + back
Controls	4 independent Slide Touch controls
Display	LED
Zone power levels	15 levels + Boost
Control position	Front
Residual heat indicator	Dual indicator: very hot (H) and hot (h)
Kids Safety function	Yes
Timer	Yes

CONSUMPTION

Current (A)	32
Maximum absorbed power (kW)	7.4
Power limiter	5 levels (2.5 kW / 3.5 kW / 4.5 kW / 6 kW / 7.4 kW)
Front left zone power (kW) (Boost, mm) - zone 1	2.2 (3.7, 185)
Back left zone power (kW) (Boost, mm) - zone 2	2.2 (3.7, 185)
Front zone power (kW) (Boost, mm) - zone 3	2.6 (3.7, 280)
Front right zone power (kW) (Boost, mm) - zone 4	1.4 (2.4, 150)
Flexi Zone power (kW) (Boost, mm) - zone 5	3.3 (3.7, 210 x 374)
Power supply	220-240 V~ 50/60 Hz 380-415 V 3N~ 50/60Hz

SMART FUNCTIONS

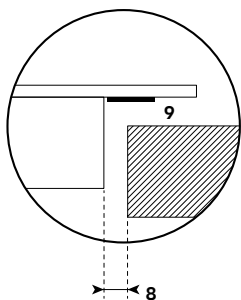
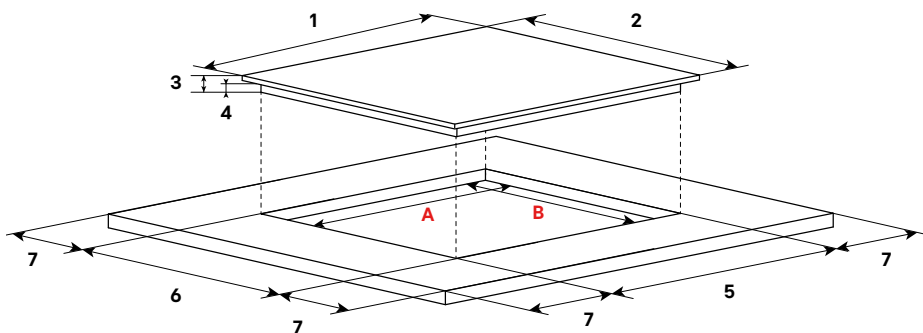
Wi-Fi with LG ThinQ® App	Yes
--------------------------	-----

DIMENSIONS / WEIGHT

Net weight / With packaging (kg)	15.7 / 18.6
Product dimensions (W x H x D) (mm)	800 x 48 x 520
Assembly cutout opening dimensions (L x P) (mm)	750 x 480
Dimensions with packaging (W x H x D) (mm)	945 x 125 x 680

Technical drawings

INSTALLATION MEASURES



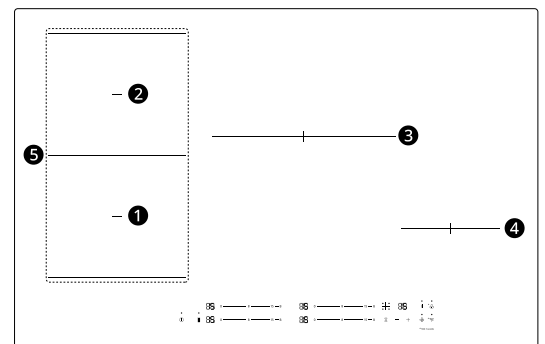
LEGEND

1: 800 mm	4: 44 mm	7: Min. 50 mm
2: 520 mm	5: 750-752 mm	8: Min. 3 mm
3: 48 mm	6: 480 mm	9: Seal

CUTOUT OPENING DIMENSIONS

A: 750 mm
B: 480 mm

COOKING ZONES



BCI607B4BG

60cm Induction Cooktop, 4 Cooking Zones incl. 2 Flexi – with Power Boost



- 4 cooking zones including 2 Flexi Zones with 4 modules
- 15 power levels and boost
- 5-level power limiter (2.5 - 7.4 kW)
- Compatible with a 56x48cm gas hob cutout opening
- Independent slide touch control in each zone
- White LED lighting
- Black ceramic glass with bevelled edges
- Wi-Fi and smart functions

Features



Flexi Zone

4 independent zones including 2 Flexi Zones to accommodate pots and pans of different shapes and sizes.



Schott Ceran® ceramic glass

Schott Ceran® ceramic glass is sturdy and high quality, and easy to clean.



Sliding Touch Controls

Enjoy independent sliding touch controls to adjust the power of each burner and a residual heat indicator for each cooking zone.



LG ThinQ® Smart Kitchen

Experience innovative simplicity and control with the convenience of smart cooking.



Power limiter

You can limit the maximum power output to 5 levels – 2.5 kW / 3.5 kW / 4.5 kW / 6 kW / 7.4 kW.

Technical Specifications

INDUCTION HOB CHARACTERISTICS

Number of cooking zones	4
- of which Flexi Zones	2 (4-module Flexi Zone)
Flexi Zone position	Left front + back, Right front + back
Controls	4 independent Slide Touch controls
Display	LED
Zone power levels	15 levels + Boost
Control position	Front
Residual heat indicator	Dual indicator: very hot (H) and hot (h)
Kids Safety function	Yes
Timer	Yes

CONSUMPTION

Current (A)	32
Maximum absorbed power (kW)	7.4
Power limiter	5 levels (2.5 kW / 3.5 kW / 4.5 kW / 6 kW / 7.4 kW)
Front left zone power (kW) (Boost, mm) - zone 1	2.0 (3.2, 190)
Back left zone power (kW) (Boost, mm) - zone 2	2.0 (3.2, 190)
Front right zone power (kW) (Boost, mm) - zone 3	2.0 (3.2, 190)
Back right zone power (kW) (Boost, mm) - zone 4	2.0 (3.2, 190)
4-module Flexi Zone power (kW) (mm) - zone 5	3.3 (3.7, 230 x 380)
Power supply	220-240 V~ 50/60 Hz 380-415 V 3N~ 50/60Hz

SMART FUNCTIONS

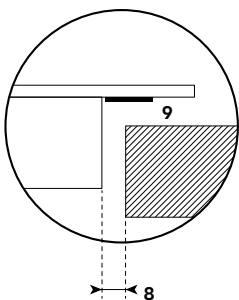
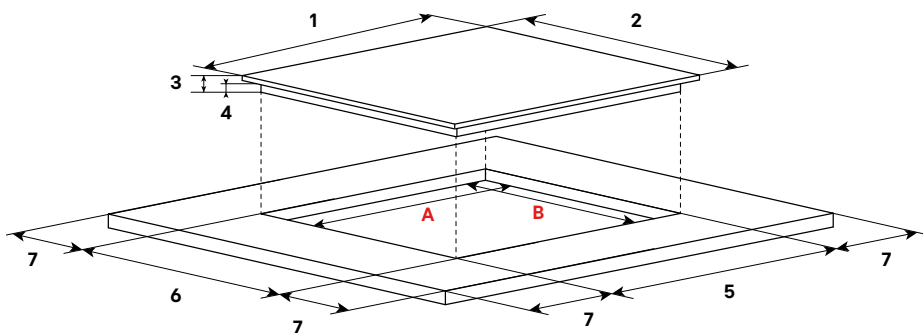
Wi-Fi with LG ThinQ® App	Yes
---------------------------------	-----

DIMENSIONS / WEIGHT

Net weight / With packaging (kg)	11.4 / 12.6
Product dimensions (W x H x D) (mm)	590 x 50 x 520
Assembly cutout opening dimensions (L x P) (mm)	560 x 480
Dimensions with packaging (W x H x D) (mm)	690 x 108 x 645

Technical drawings

INSTALLATION MEASURES



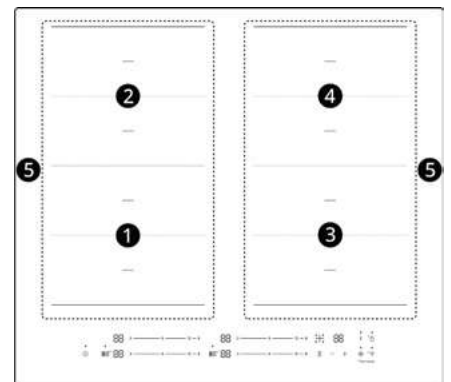
LEGEND

1: 590 mm	4: 46 mm	7: Min. 50 mm
2: 520 mm	5: 560-562 mm	8: Min. 3 mm
3: 50 mm	6: 480-482 mm	9: Seal

CUTOUT OPENING DIMENSIONS

A: 560 mm
B: 480 mm

COOKING ZONES



BCI607T4BG

60cm Induction Cooktop, 4 Cooking Zones incl. 1 Flexi – with Power Boost



- 4 cooking zones including 1 Flexi Zone
- 15 power levels and boost
- 5-level power limiter (2.5 - 7.4 kW)
- Compatible with a 56x48cm gas hob cutout opening
- Independent slide touch control in each zone
- White LED lighting
- Black ceramic glass with bevelled edges
- Wi-Fi and smart functions

Features



Flexi Zone

4 independent zones including 1 Flexi Zone to accommodate pots and pans of different shapes and sizes.



Schott Ceran® ceramic glass

Schott Ceran® ceramic glass is sturdy and high quality, and easy to clean.



Sliding Touch Controls

Enjoy independent sliding touch controls to adjust the power of each burner and a residual heat indicator for each cooking zone.



LG ThinQ® Smart Kitchen

Experience innovative simplicity and control with the convenience of smart cooking.



Power limiter

You can limit the maximum power output to 5 levels – 2.5 kW / 3.5 kW / 4.5 kW / 6 kW / 7.4 kW.

Technical Specifications

INDUCTION HOB CHARACTERISTICS

Number of cooking zones	4
- of which Flexi Zones	1
Flexi Zone position	Left front + back, Right front + back
Controls	4 independent Slide Touch controls
Display	LED
Zone power levels	15 levels + Boost
Control position	Front
Residual heat indicator	Dual indicator: very hot (H) and hot (h)
Kids Safety function	Yes
Timer	Yes

CONSUMPTION

Current (A)	32
Maximum absorbed power (kW)	7.4
Power limiter	5 levels (2.5 kW / 3.5 kW / 4.5 kW / 6 kW / 7.4 kW)
Front left zone power (kW) (Boost, mm) - zone 1	2.2 (3.3, 190)
Back left zone power (kW) (Boost, mm) - zone 2	2.2 (3.3, 190)
Front right zone power (kW) (Boost, mm) - zone 3	2.2 (3.3, 190)
Back right zone power (kW) (Boost, mm) - zone 4	2.2 (3.3, 190)
Flexi Zone power (kW) (mm) - zone 5	3.3 (3.7, 230 x 380)
Power supply	220-240 V~ 50/60 Hz 380-415 V 3N~ 50/60Hz

SMART FUNCTIONS

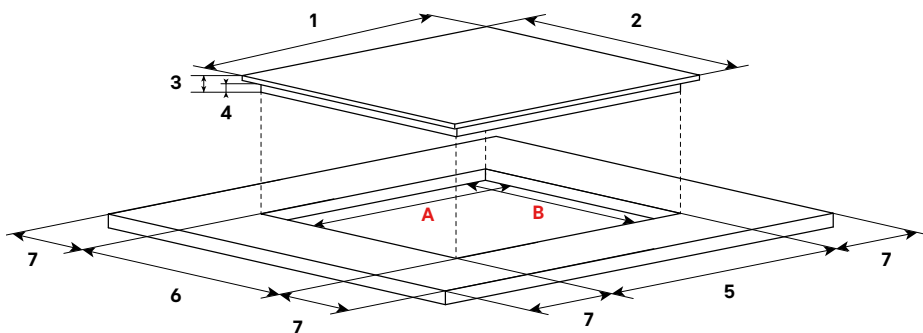
Wi-Fi with LG ThinQ® App	Yes
---------------------------------	-----

DIMENSIONS / WEIGHT

Net weight / With packaging (kg)	11.4 / 12.6
Product dimensions (W x H x D) (mm)	590 x 50 x 520
Assembly cutout opening dimensions (L x P) (mm)	560 x 480
Dimensions with packaging (W x H x D) (mm)	690 x 108 x 645

Technical drawings

INSTALLATION MEASURES



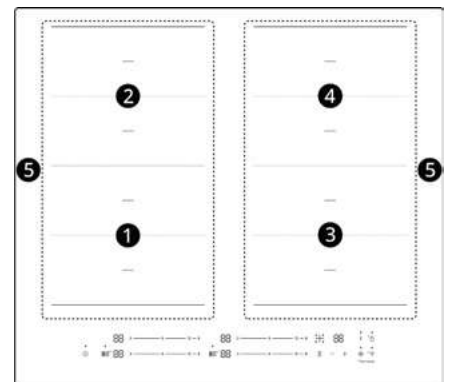
LEGEND

1: 590 mm	4: 46 mm	7: Min. 50 mm
2: 520 mm	5: 560-562 mm	8: Min. 3 mm
3: 50 mm	6: 480-482 mm	9: Seal

CUTOUT OPENING DIMENSIONS

A: 560 mm
B: 480 mm

COOKING ZONES



BCI607T3BG

60cm Induction Cooktop, 3 Cooking Zones incl. 1 Flexi – with Power Boost



- 3 cooking zones including 1 Flexi Zone
- 15 power levels and boost
- 5-level power limiter (2.5 - 7.4 kW)
- Compatible with a 56x48cm gas hob cutout opening
- Independent slide touch control in each zone
- White LED lighting
- Black ceramic glass with bevelled edges
- Wi-Fi and smart functions

Features



Flexi Zone

3 independent zones including 1 Flexi Zone to accommodate pots and pans of different shapes and sizes.



Schott Ceran® ceramic glass

Schott Ceran® ceramic glass is sturdy and high quality, and easy to clean.



Sliding Touch Controls

Enjoy independent sliding touch controls to adjust the power of each burner and a residual heat indicator for each cooking zone.



LG ThinQ® Smart Kitchen

Experience innovative simplicity and control with the convenience of smart cooking.



Power limiter

You can limit the maximum power output to 5 levels – 2.5 kW / 3.5 kW / 4.5 kW / 6 kW / 7.4 kW.

Technical Specifications

INDUCTION HOB CHARACTERISTICS

Number of cooking zones	3
- of which Flexi Zones	1
Flexi Zone position	Left front + back
Controls	4 independent Slide Touch controls
Display	LED
Zone power levels	15 levels + Boost
Control position	Front
Residual heat indicator	Dual indicator: very hot (H) and hot (h)
Kids Safety function	Yes
Timer	Yes

CONSUMPTION

Current (A)	32
Maximum absorbed power (kW)	7.4
Power limiter	5 levels (2.5 kW / 3.5 kW / 4.5 kW / 6 kW / 7.4 kW)
Front left zone power (kW) (Boost, mm) - zone 1	2.2 (3.3, 190)
Back left zone power (kW) (Boost, mm) - zone 2	2.2 (3.3, 190)
Front right zone power (kW) (Boost, mm) - zone 3	2.2 (3.3, 210)
Back right zone power (kW) (Boost, mm) - zone 4	1.4 (2.0, 150)
Flexi Zone power (kW) (mm) - zone 5	3.3 (3.7, 230 x 380)
Power supply	220-240 V~ 50/60 Hz 380-415 V 3N~ 50/60Hz

SMART FUNCTIONS

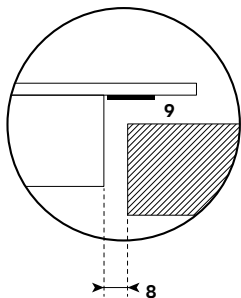
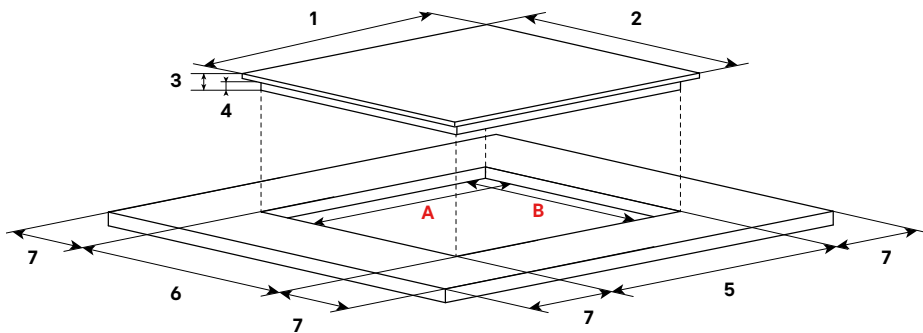
Wi-Fi with LG ThinQ® App	Yes
---------------------------------	-----

DIMENSIONS / WEIGHT

Net weight / With packaging (kg)	11.1 / 12.3
Product dimensions (W x H x D) (mm)	590 x 50 x 520
Assembly cutout opening dimensions (L x P) (mm)	560 x 480
Dimensions with packaging (W x H x D) (mm)	690 x 108 x 645

Technical drawings

INSTALLATION MEASURES



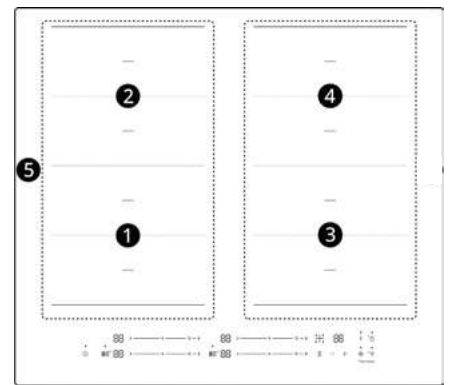
LEGEND

1: 590 mm	4: 46 mm	7: Min. 50 mm
2: 520 mm	5: 560-562 mm	8: Min. 3 mm
3: 50 mm	6: 480-482 mm	9: Seal

CUTOUT OPENING DIMENSIONS

A: 560 mm
B: 480 mm

COOKING ZONES







LG Rangehoods

Cooking in fresh air

Powerful yet silent extraction ensuring fresh air throughout your kitchen.



Our Technology



ThinQ® Auto-Hood Activation

Your induction hob and hood in harmony

LG Rangehoods automatically activate and turn off in sync with LG Induction Cooktops via ThinQ®, so you can focus on cooking while smart connectivity takes care of the rest. The ThinQ® app also lets you turn the Hood on/off, monitor the operation status, and control the exhaust speed all from your phone.*

*LG ThinQ® app & compatible smartphone required with mobile data or home Wi-Fi connection. Refer to lg.com.au/lg-thinq for details.

Our Technology



4 Power Levels

Powerful extraction

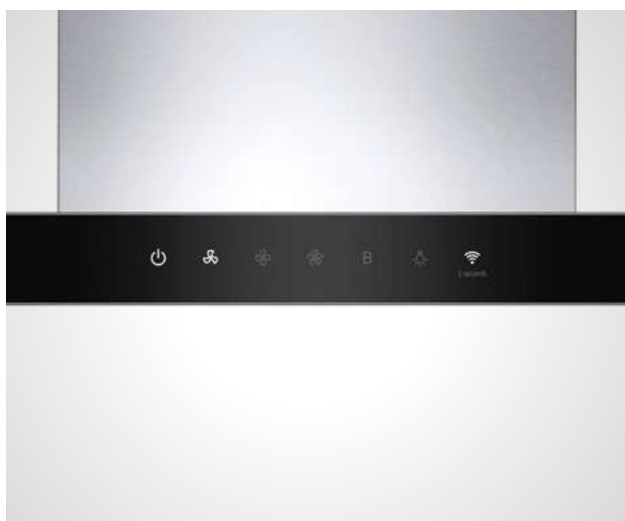
4 levels of powerful suction up to 830 m³/h to limit kitchen odours and smoke.



White LED Lighting

Upgrade your kitchen style

High quality white LED lighting aids visibility during cooking.



Intuitive Glass Touch Control

Easy control

Intuitive Black Glass touch control panel with 4 power levels.

HCEZ3626S

B700 Series Hood (T-Shape 90 cm)



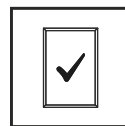
- Powerful Suction : 830 m³/h
- Boost Extraction
- 4 Step Power Levels
- White LED Lighting
- Product Status Monitoring by Smartphone
- ThinQ[®] Auto-Hood Activation
- Touch Control / Black Glass + STS

Features



ThinQ[®] Auto-Hood Activation

Automatically activates with compatible LG cooktops via LG ThinQ[®] app.



Dishwasher Safe Filters

Removable, dishwasher-safe filters for easy maintenance.



4 Power Levels

4 levels of powerful suction up to 830 m³/h to limit kitchen odours and smoke.



ThinQ[®] Smart Kitchen

Remotely turn on/off, adjust suction power and monitor the operation status, via LG ThinQ[®] app.



White LED Lighting

High quality white LED lighting aids visibility during cooking.

HCEZ3626S

Technical Specifications

HOOD CHARACTERISTICS

Product Type	900 mm T - Shape
Surface Width	900 mm
Controls	Touch
Lighting	1.5 W x 2 LED
Filters	Washable Aluminum / Grease Filter
Wi-Fi Capabilities	Yes (On / Off, Control CFM, Lights, Status)
RoHS Compliant	Yes
Speed Levels	3+Boost
CMH (min - max)	280 - 830
dB (min - max)	55 - 77
Available Colours	Stainless Steel + Black Glass

CONSUMPTION

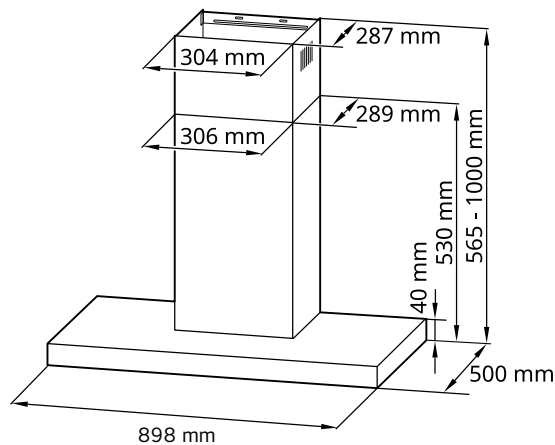
UL Listed	No
Requirements	220 - 240 V, 50 / 60Hz
Circuit Breaker Size	16

DIMENSIONS / WEIGHT

Net weight / With packaging (kg)	10.5 / 17.2
Product dimensions (W x H x D) (mm)	898 x 280 x 500
Dimensions with packaging (W x H x D) (mm)	980 x 385 x 650

Technical Drawings

INSTALLATION MEASURES



HCEZ2426S

B700 Series Hood (T-Shape 60 cm)



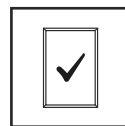
- Powerful Suction: 830 m³/h (Booster)
- Boost Extraction
- 4 Power Levels
- White LED Lighting
- Product Status Monitoring by Smartphone
- ThinQ[®] Auto-Hood Activation
- Touch Control / Black Glass + STS

Features



ThinQ[®] Auto-Hood Activation

Automatically activates with compatible LG cooktops via LG ThinQ[®] app.



Dishwasher Safe Filters

Removable, dishwasher-safe filters for easy maintenance.



4 Power Levels

4 levels of powerful suction up to 830 m³/h to limit kitchen odours and smoke.



ThinQ[®] Smart Kitchen

Remotely turn on/off, adjust suction power and monitor the operation status, via LG ThinQ[®] app.



White LED Lighting

High quality white LED lighting aids visibility during cooking.

HCEZ2426S

Technical Specifications

HOOD CHARACTERISTICS

Product Type	600 mm T - Shape
Surface Width	600 mm
Controls	Touch
Lighting	1.5 W x 2 LED
Filters	Washable Aluminum / Grease Filter
Wi-Fi Capabilities	Yes (On / Off, Control CFM, Lights, Status)
RoHS Compliant	Yes
Speed Levels	3+Boost
CMH (min - max)	280 - 830
dB (min - max)	55 - 77
Available Colours	Stainless Steel + Black Glass

CONSUMPTION

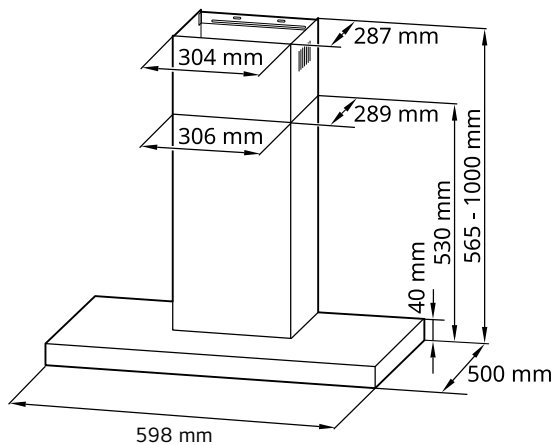
UL Listed	No
Requirements	220 - 240 V, 50 / 60Hz
Circuit Breaker Size	16

DIMENSIONS / WEIGHT



Net weight / With packaging (kg)	9.3 / 15.4
Product dimensions (W x H x D) (mm)	598 x 280 x 500
Dimensions with packaging (W x H x D) (mm)	680 x 385 x 650

Technical Drawings









INSTALLATION MEASURES









LG 76L InstaView Ovens with Blue EasyClean™ - Product Features Comparison

BO609B2BG4	BO609B1BG4
	
Matte Black Glass	Matte Black Glass


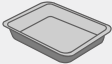
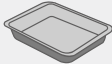
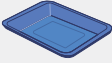
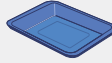


Key Cooking Features

 Cooking Modes	6-in-1 Cooking: Convection Oven, Air Fryer, Steam Cooking, Steam Sous Vide, Dehydrator, Pizza Mode
 Heating Modes/ Auto Cook Menus	24
 Steam ¹	42
 ProBake™ Convection	Full Steam Cooking: Gently steam your food, locking in nutrients and flavours for delicious and healthy results.
 Air Fry by ProBake™	Powerful, precise heat circulation for consistent results on every rack – helping you achieve perfectly browned bakes and roasts, every time.
 Sous Vide ²	Powerful air circulation to achieve crispy, golden results with significantly less oil.
 Pizza Mode	Steam Sous Vide
 Dehydrator ³	This user-friendly setting takes the complexity out of pizza baking, helping to deliver crispy crusts and melted cheese.
 ThinQ® Smart Kitchen ⁴	Easily dehydrate fruits, vegetables and even meats for nutritious and flavourful homemade snack options.
	Monitor, preheat, adjust cooking settings remotely and simplify your meal prep with Smart Recipes in the LG ThinQ® app.

Convenience & Design

 LG InstaView™	Two knocks on the glass to check on cooking progress without opening the door, to avoid letting heat out.
 Blue EasyClean™ ⁵	Thanks to the power of steam and LG's patented hydrophilic enamel, Blue EasyClean™ helps you clean your oven in 10 min and keep it looking like new.
 Pyrolytic	-
 Controls	4.3" LCD TFT Touchscreen
 Door Opening/Closing	Soft open & soft close for effortlessly elegant, quiet and smooth door opening and closing.
 Telescopic Rail	2 x sets of fully-extendable telescopic rails for effortless access to hot dishes.

Accessories

Meat Temperature Probe		-
Perforated Steam Tray		
Universal Tray		
Wire Rack		

¹ Requires adding water to the water tank for steam generation.

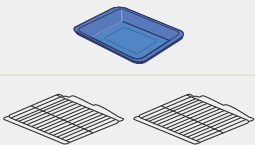
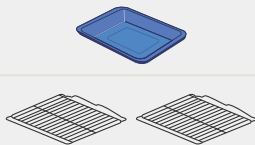
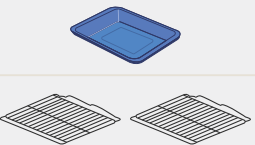
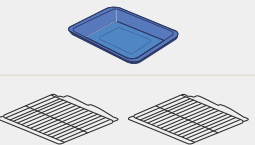
² Vacuum sealer and bag required for Sous Vide cooking is not included.

³ Dehydrating: Cooking timer on Drying Mode is limited to 11h.

BO609T2MB4	BO609T2S4	BO607G2MB4 / BO607G1MB4	BO607G2S4 / BO607G1S4
			
Black Stainless Steel	Stainless Steel	Black Stainless Steel	Stainless Steel

5-in-1 Pro Cooking: Convection Oven, Air Fryer, Air Sous Vide, Dehydrator, Pizza Mode	4-in-1 Cooking: Convection Oven, Air Fryer, Air Sous Vide, Pizza Mode
22	15
34	32
Steam Assist: Add a touch of steam during baking or roasting to enjoy restaurant-quality results at home.	-
Powerful, precise heat circulation for consistent results on every rack – helping you achieve perfectly browned bakes and roasts, every time.	
Powerful air circulation to achieve crispy, golden results with significantly less oil.	
Air Sous Vide	
This user-friendly setting takes the complexity out of pizza baking, helping to deliver crispy crusts and melted cheese.	
Easily dehydrate fruits, vegetables and even meats for nutritious and flavourful homemade snack options.	-
Monitor, preheat, adjust cooking settings remotely and simplify your meal prep with Smart Recipes in the LG ThinQ® app.	

Two knocks on the glass to check on cooking progress without opening the door, to avoid letting heat out.	
Thanks to the power of steam and LG's patented hydrophilic enamel, Blue EasyClean™ helps you clean your oven in 10 min and keep it looking like new.	
Self-cleaning mode which burns off heavier baked-in residues left from cooking.	
4.3" LCD TFT Touchscreen	LED Screen, Glass Touch Controls & Knob
Soft open & soft close for effortlessly elegant, quiet and smooth door opening and closing.	Standard
2 x sets of fully-extendable telescopic rails for effortless access to hot dishes.	1 x set of telescopic rails for effortless access to a baking tray or rack. ⁶







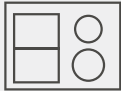
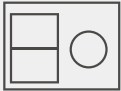
-			
-			
			

⁴ LG ThinQ® app & compatible smartphone required with mobile data or home Wi-Fi connection. Refer to lg.com.au/lg-thinq for details.

⁵ Blue EasyClean™ requires adding water to the water tank for steam models, or spraying water inside the oven for non-steam models. Results may vary depending on the degree of baked-in food residue and cleaning frequency.

⁶ G2 models = fully-extendable telescopic rails / G1 models = standard telescopic rails.

LG Induction Cooktops - Product Features Comparison

BCI807T4BG	BCI607B4BG	BCI607T4BG	BCI607T3BG
			
Black Ceramic Glass	Black Ceramic Glass	Black Ceramic Glass	Black Ceramic Glass
			



Key Cooktop Features

Cooking Type	Induction cooking provides an easy cooking experience, with precise control over the temperature and power levels of your cooking.		
Cooking Size	80cm	60cm	
Cooking Zones	4 Zones		3 Zones
Flexi Zones	1 Flexi Zone	2 Flexi Zones	1 Flexi Zone
Control Type	Glass Touch Control includes independent sliding touch controls to adjust temperatures with speed and ease.		
Power Boost ¹	Rapidly boil water or heat pans with 3.7kW Power Boost.		
Timed Cook	Program each cooking zone with shut-off timers for convenient cooking.		
ThinQ® Smart Kitchen ²	Automatically sync your LG Cooktop and Hood via the LG ThinQ® app.		
Hot Surface Indicator	Help prevent accidental burns with 2-stage residual indicator lights that turn on when surface is hot.		
Child Safety Lock	Use the child safety lock to help prevent the induction cooktop being turned on unintentionally.		
Cooktop Glass	Schott Ceran® Ceramic Glass: with a thickness of just 4mm, Schott Ceran® cooktop surfaces are extremely heat permeable and transfer the heating energy directly to the cookware.		
Control Display	White LED		

¹Some models require combining Power Boost with Flexi Zone to reach max. power level of 3.7kW.

²LG ThinQ® app & compatible smartphone required with mobile data or home Wi-Fi connection. Refer to lg.com.au/lg-thinq for details.

LG Rangehoods - Product Features Comparison

BWH907T3S	BWH607T3S
	
Black Glass, Stainless Steel	Black Glass, Stainless Steel

Key Rangehood Features

Hood Type	T-Shape, Wall-Mounted	
Hood Size	90cm	60cm
Exhaust Speed Levels	4 levels incl. Boost, with suction up to 830m ³ /h to limit kitchen odours and smoke.	
Lighting	White LED lighting to aid visibility during cooking.	
Display	Intuitive black glass touch control.	
Exhaust Panels	3 Filter Panels	2 Filter Panels
ThinQ® Smart Kitchen ²	Automatically sync your LG Cooktop and Hood via the LG ThinQ® app.	
Filter Type	Removable, dishwasher-safe filters for quick and easy maintenance.	



lg.com/au

All images are for illustrative purposes only. Technical specifications and features may vary, at any time, without further notice.
To check if the data are compliant, go to www.lg.com/au