

COMMERCIAL LAUNDRY SYSTEMS

LAUNDRY LOUNGE

Better living through enjoyable laundry service.



Why LG Commercial Laundry?



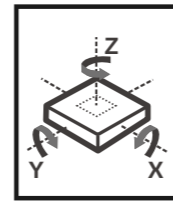
Sturdy & Long Lifecycle



Premium Powder Coating



Inverter Direct Drive™



Gyro Balancing System

Premium Powder Coating



Our powder coated finish creates the same durability as it does when painting a car. It is sure to last long and provide an easy to clean exterior.

Inverter Direct Drive™



Unlike the traditional belt & pulley system, the LG commercial laundry drum is directly attached to the motor, providing superior durability.

Gyro Balancing System



LG Gyro Balancing System provides optimized performance through advanced algorithm.

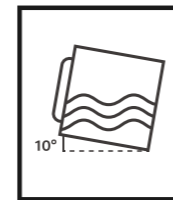
Efficiency & Energy Friendly



Space Saving



Atomizing & Twin spray



10° Tilted Drum

Space Saving



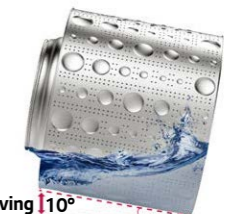
The small cabinet size with bigger washing capacity and stackable design allows more customers and more machines in limited space.

Atomizing & Twin spray



The Atomizing nozzle sprays fresh water onto the clothes and the door, providing rapid water supply. Twin Spray circulates soapy water, increasing wash performance and water visibility.

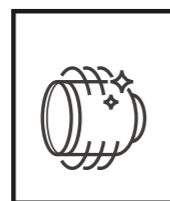
10° Tilted Drum



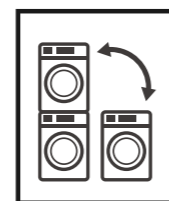
Water Saving 10°

LG's commercial washer tub is tilted 10°. It enables the washer to have higher water level compared to competitors.

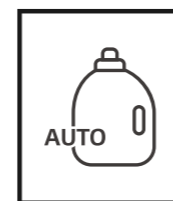
Convenient Install & Maintenance



Tub Clean & Waveforce



Installation Flexibility



Auto Dosing Systems

Tub Clean & Waveforce



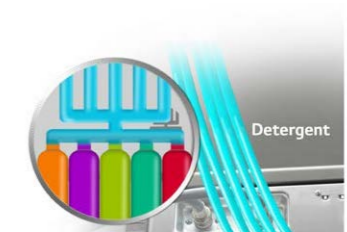
A dirty tub from hours of long operation can affect washing performance. Our tub cleaning program helps you keep a clean tub even in the busiest locations.

Installation Flexibility



Install laundry machines to meet your needs, with side by side or stacked configurations. The units are easy to move and reinstall in new locations.

Auto Dosing System



Simple to connect automatic detergent/chemical injection system.

*Autodosing Pump (Purchase Separately)

Why LG Commercial Laundry?

Sturdy & Long Lifecycle



1 Premium Powder Coating

Our powder coated finish creates the same durability as it does when painting a car. It is sure to last long and provide an easy to clean exterior.



2 Inverter Direct Drive™

Unlike the traditional belt and pulley system, the LG commercial laundry drum is directly attached to the motor providing superior durability and reliability. Fewer parts equals fewer repairs.

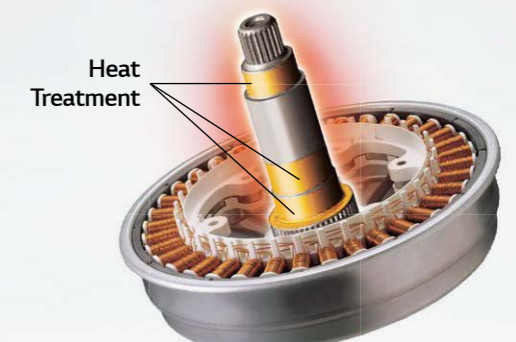
- Motor directly attached to drum
- Quiet operation with little vibration
- Excellent durability due to brushless motor and lack of belt and pulley
- High-tech design and manufacturing



DD Motor + Drum

3 Multi Heat Treatment

To ensure superior performance, LG Heat-Treats the shaft which connects our drums and motors. This protects against gradual wear and tear.



4 Gyro Balancing System

LG Gyro Balancing System provides optimized performance through advanced algorithm, which allows for errorless spin entry and on time cycle completion.

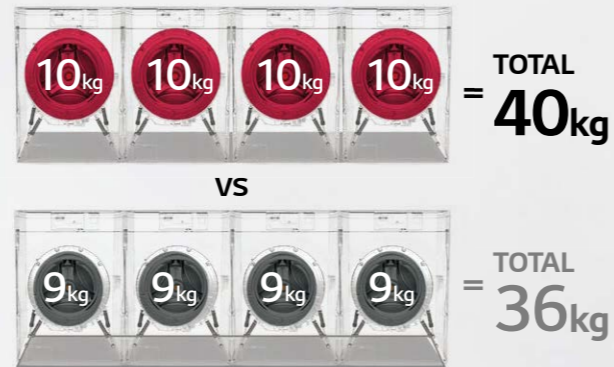


Why LG Commercial Laundry?

Efficiency & Energy Friendly

1 Space Saving

The small cabinet size with bigger washing capacity and stackable design allows more customers and more machines in limited space.



2 Atomizing & Twin Spray

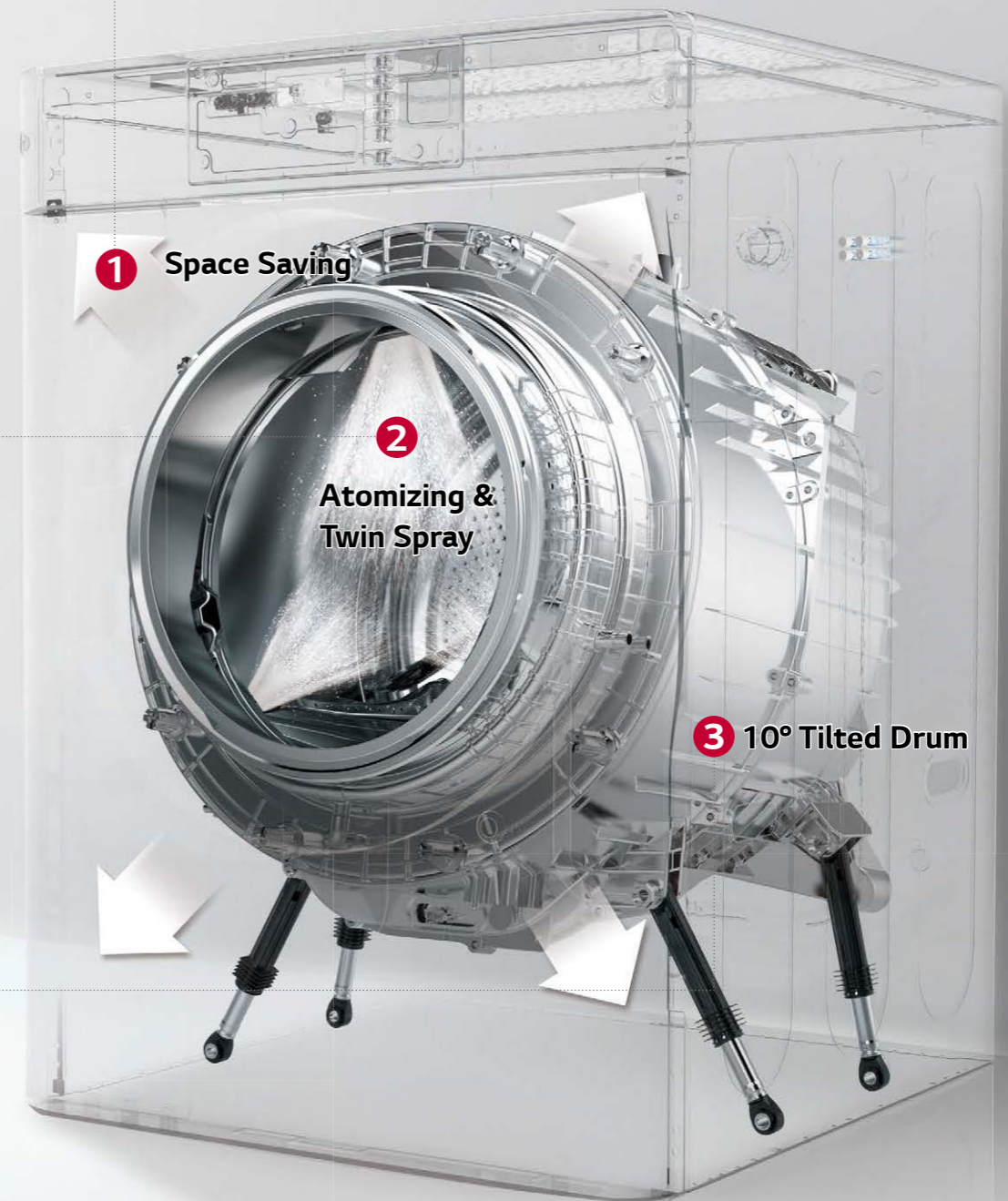
The Atomizing nozzle sprays fresh water onto the clothes and the door. This helps produce a rapid fill so clothes are soaked sooner and longer providing a better washing performance. It also cleans the door glass every time the water sprays on it, reducing your burden of cleaning any excess soap residue. Twin Spray circulates soapy water, increasing wash performance and water visibility.

1) Simultaneous atomizing spray, rinse spin, and drain for quick rinsing



3 10° Tilted Drum

LG's commercial washer tub is tilted 10°. It enables the washer to have higher water level compared to competitors. This allows us to use less water while not sacrificing superior wash performance.



PRODUCT INFORMATION

Convenient Install & Maintenance

1 Installation Flexibility

3 Auto Dosing System

2 Tub Clean & Waveforce

4 LG Smart Solution

1 Installation Flexibility

Install laundry appliances to meet your needs and your location, with side by side or stacked configurations. The units are easy to move and reinstall in a new location.



2 Tub Clean & Waveforce

A dirty tub from hours of long operation can affect washing performance. Our tub cleaning program helps you keep a clean tub even in the busiest locations.



3 Auto Dosing System

Simple to connect automatic detergent / chemical injection system, so there is no need to manually put in detergent for every wash.

*Autodosing Pump (Purchase Separately)



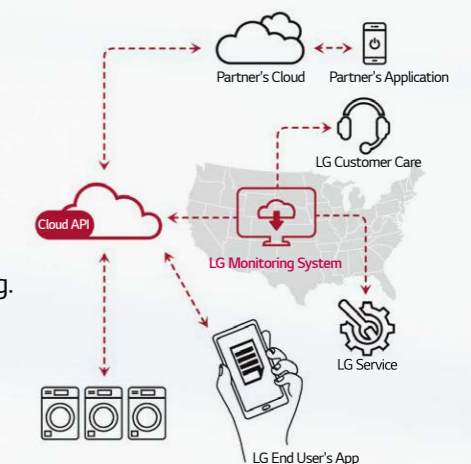
4 LG Smart Solution

Streamline maintenance

View status and error codes anytime and anywhere.

Maximize profit

Set and tweak prices based on patterns and targeted timing. Set special pricing for peak business hours.



TECHNICAL SPECIFICATIONS

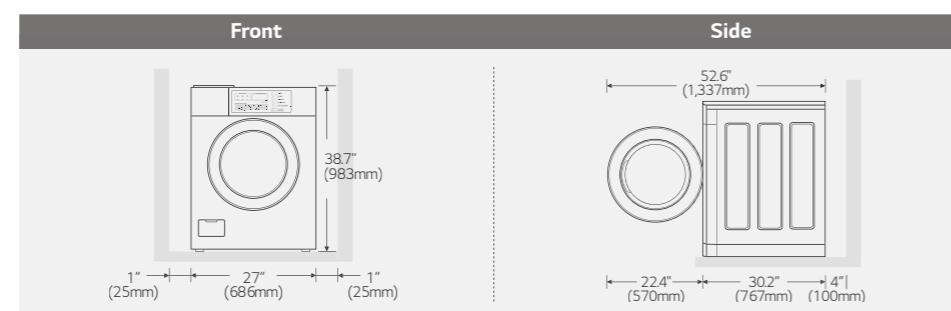
GIANT-C

Giant-C Washer



		Non-Heater FH069FD*L/GCWL1069***	Heater F*069FD*PS / WD-H069BD*S
CYLINDER			
Drum Volume	cu.ft (ℓ)	3.7 (104.8)	3.7 (105.6)
Diameter	in. (mm)	22.1 (560)	22.1 (560)
Depth	in. (mm)	16.5 (419.3)	16.5 (419.3)
DIMENSIONS			
Product (WxHxD)	in	27 x 38.7 x 30.2	27 x 38.7 x 30.2
	mm	700 x 983 x 770	700 x 983 x 770
With Door Open	in. (mm)	52.6 (139.6)	52.6 (1,337)
Carton (WxHxD)	in	29.5 x 41.9 x 31.4	29.5 x 41.9 x 31.4
	mm	750 x 1,065 x 797	750 x 1,065 x 797
Weight (Product/Carton)	lb (kg)	191.8 (87) / 209 (94.8)	191.8 (87) / 209 (94.8)
SPEED			
Wash	RPM	40-50	40-50
Extract (Max RPM)	RPM	1200	1150
G-force	G	449	413
RATING			
		120/60/7	-
Electric Ratings	V/Hz/A	220-240/50/7	220-240/50/15-17.5
		220/60/7	-
*CONSUMPTION INDEX¹⁾			
Water	gal (l)	13.8 (52.2)	12(45.5)
Electricity	kW/cycle	0.076	-
NOISE & CYCLE TIME			
Noise Level (Sound Power)	dB	Lower than 57	-
Program Duration in Minutes (Default)	min	36	59 (60°C Course) ²⁾
SYSTEM & CONTROL			
Inverter Direct Drive Motor		O	O
Heating Element	W	120V 1,000 (Only for Tub Clean) 220V 2,000 (Only for Tub Clean)	3,200
Drain System		Pump drain	
Auto Dosing Interface		O	O
Gyro Sensor		O	-
Damper		4 Friction Dampers	3 Friction Dampers
PROGRAMS			
Program List		Hot	90°C (194 °F)
		Warm	75°C (167 °F)
		Cold	60°C (140 °F)
		Delicates	40°C (104 °F)
		Add Super Wash (Card & Coin) / 20 Custom PGM (OPL)	Cold * Custom PGM ³⁾
EXTERNAL FINISH			
Drum		Stainless Steel	Stainless Steel
CIRCUIT PROTECTION			
PCB Fuse - Main Control Board	amps	12 (220-240V)	12 (220-240V)
PCB Fuse- Filter Assembly	amps	15	15
Main PCB MICOM		T370	T370

* Dimensions and weights are approximate. * Design, features and specifications subject to change without notice.
 * Some models may not be available for sale in certain countries. * Model name may vary by country.
 1) Based on DOE J2/J1 testing.
 2) Washer detects water temperature and adjusts heating time automatically if hot water supply is available
 3) When you press button for 3 seconds, Cold cycle will be changed to Custom PGM. (Cold for coin model, Custom PGM for OPL model)



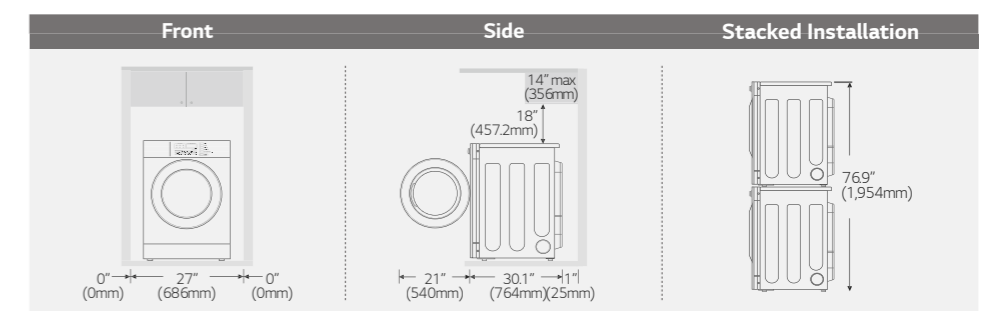
Giant-C Dryer



		Gas RN1329**** / GDP1329*G**	Electric RV1329**** / GDP1329*E** / TD-V1329EA*
CYLINDER			
Drum Volume	cu.ft (ℓ)	7.3 (207)	7.3 (207)
Diameter	in. (mm)	26.1 (663)	26.1 (663)
Depth	in. (mm)	22.5 (570.6)	22.5 (570.6)
DIMENSIONS			
Product (WxHxD)	in	27 x 38.7 x 30.1	27 x 38.7 x 30.1
	mm	686 x 983 x 764	686 x 983 x 764
With Door Open	in. (mm)	49.8 (1,264)	49.8 (1,264)
Carton (WxHxD)	in	29.9 x 46.1.4 x 31.3	29.9 x 46.1.4 x 31.3
	mm	760 x 1,170 x 795	760 x 1,170 x 795
Weight (Product/Carton)	lb (kg)	130 (59)/143 (65)	130 (59)/143 (65)
RATING			
		120/60/5	120 (240)/60/26
Electric Ratings	V/Hz/A	220-240/50/2.4	220-240/50/22.5
		220/60/3	220/60/21
		-	240/50/19.5 ¹⁾
SYSTEM & CONTROL			
Heating Type		Gas (LNG/LPG) ²⁾	Electric
Type of Drying		Ventilation	Ventilation
Air Flow	CFM	160	160
		0.4 (120V/60Hz)	0.4 (120V/60Hz)
Motor	kW	0.3 (220-240V/50Hz)	0.3 (220-240V/50Hz)
		0.4 (220V/60Hz)	0.4 (220V/60Hz)
Gas Ratings	BTU/hour	20,000	-
Heating Element	W	-	120V/220V 5,400 230-240V 4,500 (Australia)
Program Duration in Minutes (Default)	min	45 (NA)/50 (EU)/45 (Australia)	45 (NA)/50 (EU)/45 (Australia)
CONNECTIONS			
Air Outlet Diameter	in. (mm)	4 (100)	4 (100)
Exhaust Airflow Diameter	in. (mm)	4 (100)	4 (100)
PROGRAMS			
Program List		High Temp	High Temp
		Med Temp	Med Temp
		Low Temp	Low Temp
		No Heat	No Heat
EXTERNAL FINISH			
Drum		Alcosta	Alcosta

* Dimensions and weights are approximate. * Design, features and specifications subject to change without notice.
 * Some models may not be available for sale in certain countries. * Model name may vary by country.
 1) 4,500W for some countries due to power limitation (e.g. Australia), 2) Gas type depends on country sales model.

Weather Hood Type	Number of 90° Elbows	Maximum length of 4" (10.2cm) diameter rigid metal duct	Maximum length of 4" (10.2cm) diameter flexible metal duct
Recommended	0	65 feet (19.8m)	45 feet (13.7m)
4" (10.2cm)	1	55 feet (16.8m)	35 feet (10.7m)
	2	47 feet (14.3m)	30 feet (9.1m)
	3	36 feet (11.0m)	25 feet (7.6m)
4" (10.2cm)	4	28 feet (8.5m)	20 feet (6.1m)
	Use Only for Short Run Installations	0	55 feet (16.8m)
2-1/2" (6.35cm)	1	47 feet (14.3m)	27 feet (8.2m)
	2	41 feet (12.5m)	21 feet (6.4m)
	3	30 feet (9.1m)	17 feet (5.2m)
	4	22 feet (6.7m)	15 feet (4.5m)



TECHNICAL SPECIFICATIONS

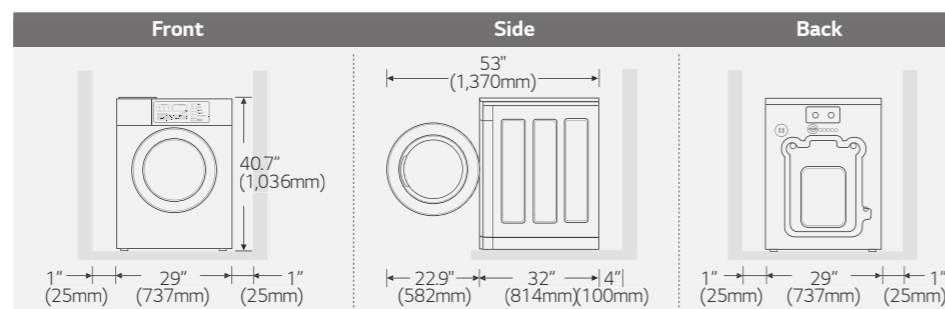
TITAN-C

TITAN-C Washer



		Non-Heater FH0C7FD*L/TCWL2013***	Heater FH0C7FD3S
CYLINDER			
Drum Volume	cu.ft (℔)	5.2 (147)	5.2 (147)
Diameter	in. (mm)	24 (610.8)	24 (610.8)
Depth	in. (mm)	20.4 (518.1)	20.4 (518.1)
DIMENSIONS			
Product (WxHxD)	in	29 x 40.8 x 32	29 x 40.8 x 32
	mm	737 x 1,036 x 814	737 x 1,036 x 814
With Door Open	in. (mm)	53 (1,370)	53 (1,370)
Carton (WxHxD)	in	31 x 44.3 x 33.3	31 x 44.3 x 33.3
	mm	788 x 1,125 x 846	788 x 1,125 x 846
Weight (Product/Carton)	lb (kg)	221.8 (100.6) / 248 (112.5)	221.8 (100.6) / 248 (112.5)
SPEED			
Wash	RPM	46	46
Extract (Max RPM)	RPM	1000	980
G-force	G	340	327
RATING			
Electric Ratings	V/Hz/A	120/60/5 220-240/50/5 220/60/5	220-240/50/14-17
*CONSUMPTION INDEX¹⁾			
Water	gal (l)	16.5 (62.5)	12.4(47)
Electricity	kWh/cycle	0.077	3.2-3.8
NOISE & CYCLE TIME			
Noise Level (Sound Power)	dB	Lower than 62	Lower than 62
Program Duration in Minutes (Default)	min	36	59
SYSTEM & CONTROL			
Inverter Direct Drive Motor		O	O
Heating Element	W	120V 1,000 (Only for Tub Clean) 220V 2,000 (Only for Tub Clean)	3,200
Drain System		BLDC	Gravity Drain
Emergency Stop Button		O (OPL Only)	O (OPL Only)
Inlet Valve		DC	AC
Auto Dosing Interface		O	O
Gyro Sensor		O	X
Damper		4 Friction Dampers	4 Friction Dampers
PROGRAMS			
Program List		Hot* Warm* Cold* Delicates* Add Super Wash (Card & Coin)/ 20 Custom PGM (OPL)	90°C 75°C 60°C 40°C/30°C Cold * Custom PGM ²⁾
EXTERNAL FINISH			
Drum		Stainless Steel	Stainless Steel
CIRCUIT PROTECTION			
PCB Fuse - Main Control Board	amps	12 (220-240V)	12 (220-240V)
PCB Fuse- Filter Assembly	amps	15	15
Main PCB MICOM		T470	T370

*Dimensions and weights are approximate. *Design, features, and specifications subject to change without notice.
 *Some models may not be available for sale in certain countries. *Model name may vary by country
 *Energy Course available
 1) Based on DOE J2/J1 testing
 2) When you press button for 3 seconds, Cold cycle will be changed to Custom PGM. (Cold for coin model, Custom PGM for OPL model)

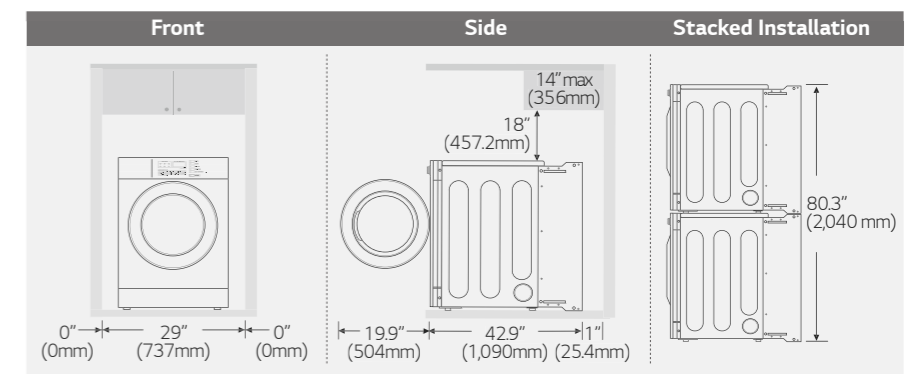


TITAN-C Dryer



		Gas RN1870A** / TCD1870***
CYLINDER		
Drum Volume	cu.ft (℔)	9.0 (254)
Diameter	in. (mm)	28.2 (716)
Depth	in. (mm)	24.2 (614)
DIMENSIONS		
Product (WxHxD)	in	29 x 40.2 x 42.9
	mm	737 x 1,022 x 1,090
With Door Open	in. (mm)	65.1 (1,655)
Carton (WxHxD)	in	Single : 30.7 x 44.7 x 44.4 Stack : 30.7 x 83.1 x 44.4
	mm	Single : 781 x 1,137 x 1,128 Stack : 781 x 2,110 x 1,128
Weight (Product/Carton)	lb (kg)	220 (100)/240 (108.8)
RATING		
Electric Ratings	V/Hz/A	120/60/10
SYSTEM & CONTROL		
Heating Type		Gas (Default LNG)
Type of Drying	W	Ventilation
Air Flow	CFM	350
Drum Motor	kW	0.5 (120V/60Hz)
Fan Motor	kW	0.3
Gas Ratings	BTU/hour	55,000
CONNECTIONS		
Air Outlet Diameter	in. (mm)	6 (154)
Exhaust Airflow Diameter	in. (mm)	6 (154)
PROGRAMS		
Program List		High Temp Med Temp Low Temp No Heat
EXTERNAL FINISH		
Drum		Stainless Steel

* Dimensions and weights are approximate. * Design, features and specifications subject to change without notice.
 * Some models may not be available for sale in certain countries. * Model name may vary by country.



TECHNICAL SPECIFICATIONS

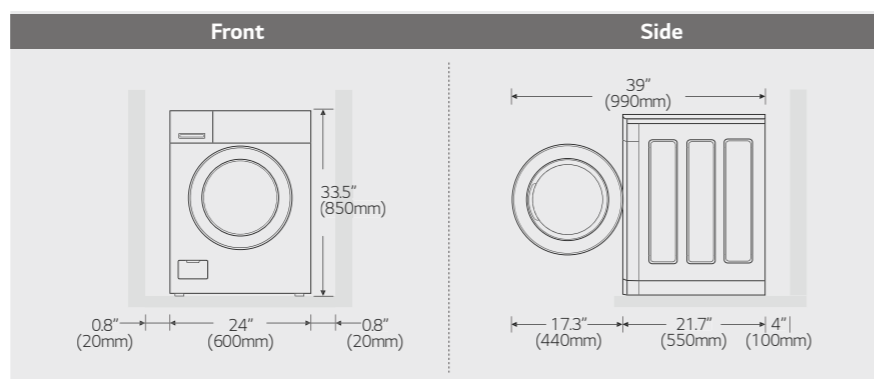
ATOM

Atom Washer



		Non-Heater FH2A9TDP3 / WD-BH2337D9	Heater FH2A9TDP3S
CYLINDER			
Drum Volume	cu.ft (†)	2.1 (58)	2.1 (58)
Diameter	in. (mm)	19.1 (484.6)	19.1 (484.6)
Depth	in. (mm)	14.7 (372)	14.7 (372)
DIMENSIONS			
Product (WxHxD)	in	23.6 x 33.5 x 21.7	23.6 x 33.5 x 21.7
	mm	600 x 850 x 550	600 x 850 x 550
With Door Open	in. (mm)	39 (990)	39 (990)
Carton (WxHxD)	in	26.0 x 34.8 x 25.8	26.0 x 34.8 x 25.8
	mm	660 x 885 x 655	660 x 885 x 655
Weight (Product/Carton)	lb (kg)	134.5 (61) / 143.3 (65)	134.5 (61) / 143.3 (65)
SPEED			
Wash	RPM	45	45
Extract (Max RPM)	RPM	1200	1200
ENERGY			
Electric Ratings	V/Hz/A	220~240/50/5	220~240/50/10
*CONSUMPTION INDEX¹⁾			
Water	gal (l)	11.7(44.3)	11.7(44.3)
Electricity	kW/hour	2.1	2.1
NOISE & CYCLE TIME			
Noise Level (Sound Power)	dB	Lower than 62	Lower than 62
Program Duration in Minutes (Default)	min	36	52
SYSTEM & CONTROL			
Inverter Direct Drive Motor		0	0
Heating System	W	2,000	2,000
Drain System		Pump drain	
PROGRAMS			
Program List		Hot	90°C (194 °F)
		Warm	75°C (167 °F)
		Cold	60°C (140 °F)
		Delicates	40°C (104 °F)
		Spin Only	Cold
		Add Super Wash	Power
EXTERNAL FINISH			
Drum		Stainless Steel	Stainless Steel
CIRCUIT PROTECTION			
PCB Fuse - Main Control Board	amps	8 (220V~240V/50hz)	8 (220V~240V/50hz)
PCB Fuse - Filter Assembly	amps	15	15
HOSE			
Inlet Hose	ft. (mm)	4.1 (1,250)	4.9 (1,500)
Drain Hose	ft. (mm)	7.7 (2,350)	6.6 (2,000)

* Dimensions and weights are approximate. * Design, features and specifications subject to change without notice.
 * Some models may not be available for sale in certain countries. * Model name may vary by country.
 1) Without loading / Default water level(Non heater / Heater): High / Mid



REFERENCE SITES



Laundromat / Jakarta, Indonesia



Multi-housing / Toronto, Canada



Laundromat / Seoul, Korea



Laundromat / Zagreb, Croatia



Laundromat / Singapore, Singapore



Laundromat / Kota Kinabalu, Malaysia



Laundromat / Manila, Philippines



Laundromat / Mexico City, Mexico



Laundromat / Hanoi, Vietnam



Laundromat / Shanghai, China



Laundromat / Santiago, Chile



Multi-housing / Seattle, US

LAUNDRY LOUNGE

Laundry Lounge



Laundromat shops designed with LG's unique brand identity guidelines. Take your 1st step towards a successful laundromat business with the Laundry Lounge.

Profitability

Less Initial Investment

Durability

Inverter Direct Driver Motor™

Convenience

Easy Soft Mount Installation

Efficiency

Less Water & Electricity Consumption



SMALL SIZED SHOP
(35m², with 16 Machines)



LARGE SIZED SHOP
(100m², with 34 Machines)



FAQ

Q1 Which coin drop brands are compatible and is the coin drop included in the box?

A1 Coin drop is not included; you can buy and use Greenwald, ESD and Munzuprufer with our product.

Q2 How often do I need to perform maintenance?

A2 Locations with high temperature and humidity, extreme detergent use, or dusty environments will require more frequent maintenance. For a more detailed recommendation, inquire about the Maintenance Guide.

Q3 Can I have the machines delivered already factory stacked?

A3 Machines must be stacked on site. But stacking is very easy. This also allows you to use stackable machines unstacked by swapping out parts.

* Titan-C Dryer is stacked in the factory.

Q4 How do I stack the machines?

A4 Using the stacking kit (provided with Upper dryer), attach the 2 stacking brackets on the top plate of the bottom machine. Remove the legs and their brackets on the Upper dryer, then attach the 4 sliding pads. Place the dryer by fitting the pads into the slots of the stacking brackets. Secure the Upper dryer by attaching the back bracket.

Q5 Is it possible to convert machines from payment to non-payment or vice versa?

A5 You can select Payment type (Coin or Card) and Non-Payment type (On Premise Laundry) in Setup mode.

Q6 Can I connect LG commercial machines to a detergent system?

A6 The Titan-C and Giant-C Pro models are ready to connect with a detergent system. To connect Giant-C+ models, you need to drill the holes in the back of the cabinet and the dispenser to connect with a detergent system.



www.lgecls.com
www.lg.com/commerciallaundry