



LG COMMERCIAL LAUNDRY

STEEL CONTROL PANEL

REVERSIBLE DRYER DOOR

EASY SLIDING

**GIANT-C
DRYER**



INSTALLATION FLEXIBILITY

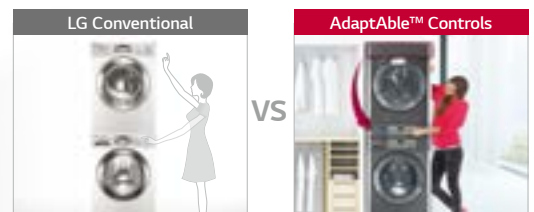
Install laundry appliances to meet your needs and your location, with side by side or stacked configurations. The units are easy to move and reinstall in a new location.



* Parts required for stacking are sold separately.

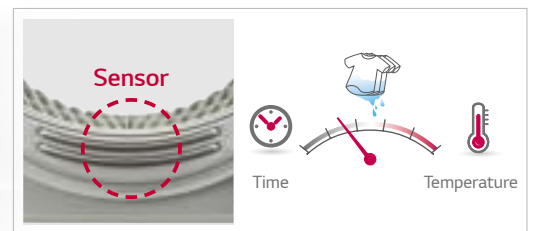
ADAPTABLE™ CONTROLS

Easy to reach AdaptAble™ controls let you save space without compromising capacity. The controls are always within reach and are versatile enough to meet your needs.



SENSOR DRY

The electrode sensor automatically monitors temperature and moisture in the clothes and adjusts final drying time for excellent drying performance. Of course, time dry is available, too.



EASY REPAIR SYSTEM

LG commercial laundry products are all front service accessible. Valuable service time will never be wasted gaining access to key service elements.



EASY PROGRAMMING

Intuitive programming controls allow operators to choose from a variety of functions and programs, including price, cycle time, cycle parameters, spin-speed and more, ensuring that all washing requirements are met.



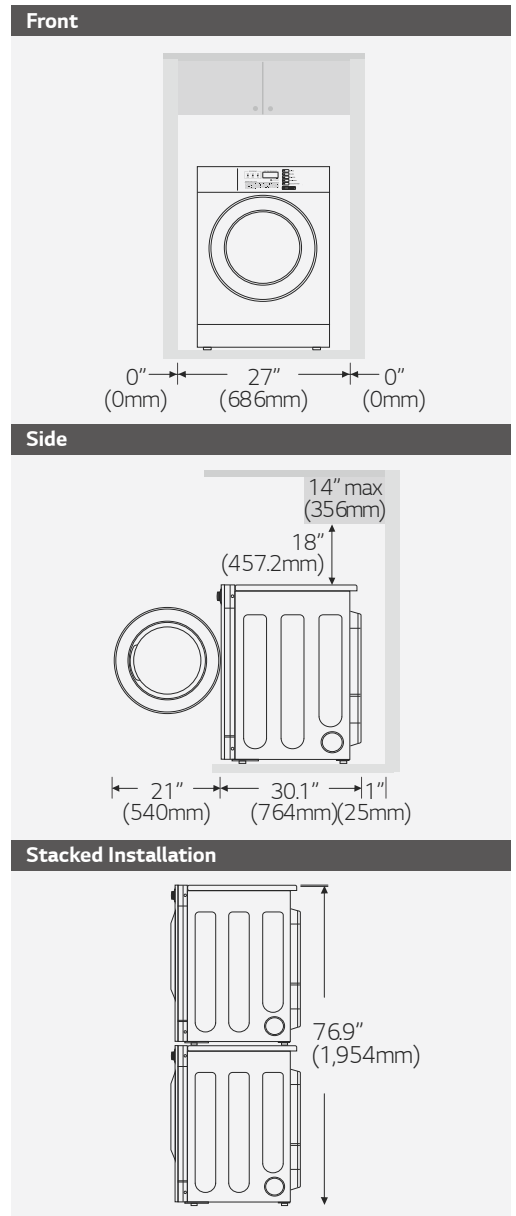
GIANT-C DRYER SPECIFICATIONS

| | | Gas RN1329**** / GDP1329**G** | Electric RV1329**** / GDP1329**E** / TD-V1329EA* |
|---------------------------------------|-----------|-------------------------------------|--|
| CYLINDER | | | |
| Drum Volume | cu.ft (ℓ) | 7.3 (207) | 7.3 (207) |
| Diameter | in. (mm) | 26.1 (663) | 26.1 (663) |
| Depth | in. (mm) | 22.5 (570.6) | 22.5 (570.6) |
| DIMENSIONS | | | |
| Product (WxHxD) | in | 27 x 38.7 x 30.1 | 27 x 38.7 x 30.1 |
| | mm | 686 x 983 x 764 | 686 x 983 x 764 |
| With Door Open | in. (mm) | 49.8 (1,264) | 49.8 (1,264) |
| Carton (WxHxD) | in | 29.9 x 46.1 x 31.3 | 29.9 x 46.1 x 31.3 |
| | mm | 760 x 1,170 x 795 | 760 x 1,170 x 795 |
| Weight (Product/Carton) | lb (kg) | 130 (59) / 143 (65) | 130 (59) / 143 (65) |
| RATING | | | |
| Electric Ratings | V/Hz/A | 120/60/5 | 120 (240)/60/26 |
| | | 220-240/50/2.4 | 220-240/50/22.5 |
| | | 220/60/3 | 220/60/21 |
| | | - | 240/50/19.5 ¹⁾ |
| CONSUMPTION INDEX (PER CYCLE) | | | |
| Gas | W | 5.81 | - |
| Electricity | W | 350 | 4,600-5,400 |
| SYSTEM & CONTROL | | | |
| Heating Type | | Gas (LNG/LPG) ²⁾ | Electric |
| Type of Drying | | Ventilation | Ventilation |
| Air Flow | CFM | 160 | 160 |
| Motor | KW | 0.4 (120V/60Hz) | 0.4 (120V/60Hz) |
| | | 0.3 (220-240V/50Hz) | 0.3 (220-240V/50Hz) |
| | | 0.4 (220V/60Hz) | 0.4 (220V/60Hz) |
| Gas Ratings | KW/BTU | 5.8/20,000 | - |
| Heating Element | W | - | 120V/220V 5,400 230-240V 4,500 (Australia) |
| Program Duration in Minutes (Default) | min | 45 (NA) / 50 (EU) / 45 (Australia) | 45 (NA) / 50 (EU) / 45 (Australia) |
| CONNECTIONS | | | |
| Air Outlet Diameter | in. (mm) | 4 (100) | 4 (100) |
| Exhaust Airflow Diameter | in. (mm) | 4 (100) | 4 (100) |
| PROGRAMS | | | |
| Program List | | High Temp | High Temp |
| | | Med Temp | Med Temp |
| | | Low Temp | Low Temp |
| | | No Heat | No Heat |
| EXTERNAL FINISH | | | |
| Drum | | Alcosta | Alcosta |

* Dimensions and weights are approximate. * Design, features and specifications subject to change without notice.

* Some models may not be available for sale in certain countries. * Model name may vary by country.

1) 4,500W for some countries due to power limitation (e.g. Australia), 2) Gas type depends on country sales model.



PRODUCT IMAGE

