



\*All images are for illustrative purpose only.

**Interactive Digital Board** TR3DJ Series

# True Interactivity for Bringing People Together



Genuine Touch & Writing Experience



Easy Connection & Sharing



User-friendly Experience



Security & Compatibility

# TR3DJ SERIES

## Compatible with Various OS

- Android, iOS, Windows, Chrome

## Wireless Screen Mirroring from / to Devices

- Two Way Communication
- Up to 6 Devices on Display
- Direct Sharing Annotation & Files

## Excell Writing Experience

- Built-in Whiteboard Software



## Professional Annotation Tool

- Writing on any Sources
- Redo and Undo of Annotation

## Embedded Android 8.0 OS

- Free Embedded Applications
- Note, Web Browser, Screen Share Pro

## Enhanced Security

- Keep Your Contents to be Secured with Secure Mode and USB Block Mode

## TR3DJ Series FEATURES



4K Resolution (UHD)



Multi Touch 20



Nearly No Air Gap



Energy Efficient (DPM)



Anti-glare / Tempered Glass



Screen Mirroring



OTA (Over the Air) CS only



Enhanced Security

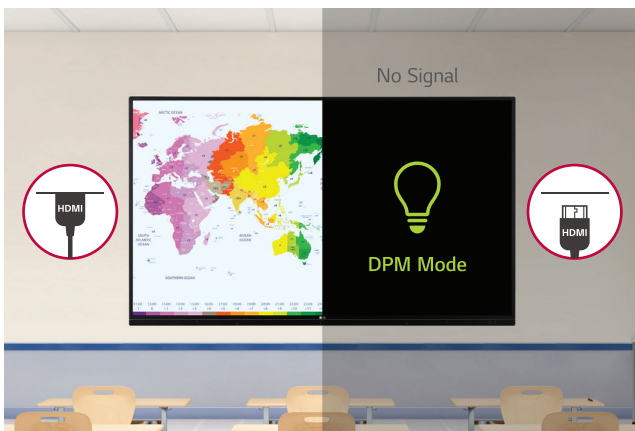


Integrated Speaker and Wifi Module



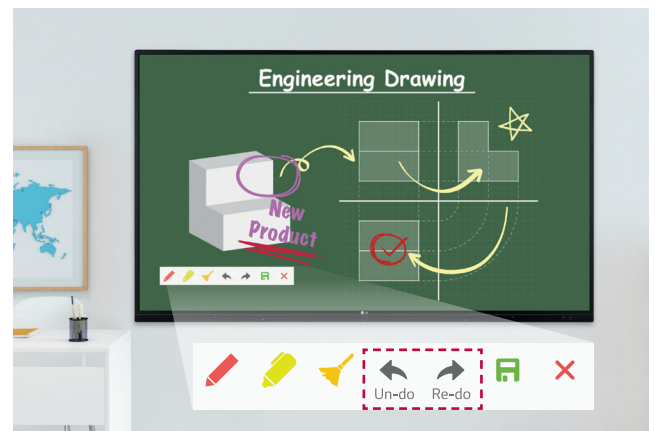
Email Feature

## USER FRIENDLY EXPERIENCE



### DPM (Display Power Management)

By activating DPM function, the display can be set to be on only when there is an input signal which enables more efficient power management.



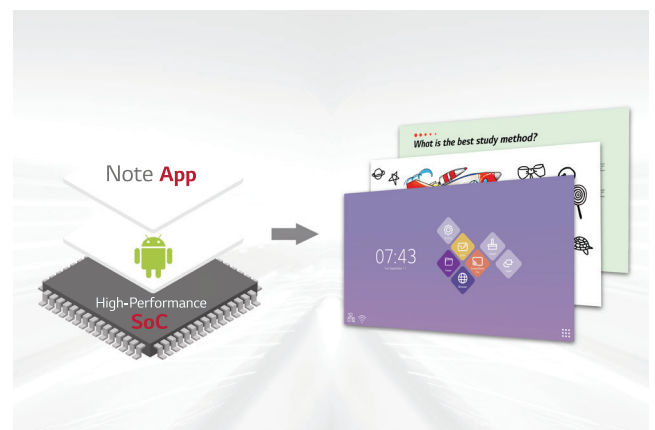
### Annotation

At annotation tool mode, 'Un-do' and 'Re-do' functions provide enhanced user experience. (Annotation tool can be used on any source.)



### Web Browser

The TR3DJ series supports the web browser in the Android OS so you can search the web easily and quickly without connecting to an external desktop.



### All-in-One

The TR3DJ series integrates both Android OS and Free apps into a high performance SoC, without a PC.

## USER CONVENIENCE



### Partial Capture

Users can select the desired area of the screen to crop the image and store that in internal memory. Also, TR3DJ allows to send cropped images directly to email or note apps.



### Bluetooth Connectivity

TR3DJ supports Bluetooth to connect wirelessly to various devices such as speaker, mouse, keyboard, etc. This is optimised for building a hybrid environment so that online and offline meeting can proceed without problems.



### Real-time ConnectedCare Service

Maintenance is easy and fast with the optional ConnectedCare\* service, a cloud service solution provided by LG. It remotely manages the status of displays in client workplaces for fault diagnosis and remote-control services, ensuring the stable operation of clients' businesses.

## GENUINE TOUCH & WRITING EXPERIENCE



### Multi Touch & Writing

The TR3DJ series can simultaneously use up to 20 points of multi touch. This function offers a lifelike board writing experience and makes collaboration much easier.

## EASY CONNECTION & SHARING



### ScreenShare Pro

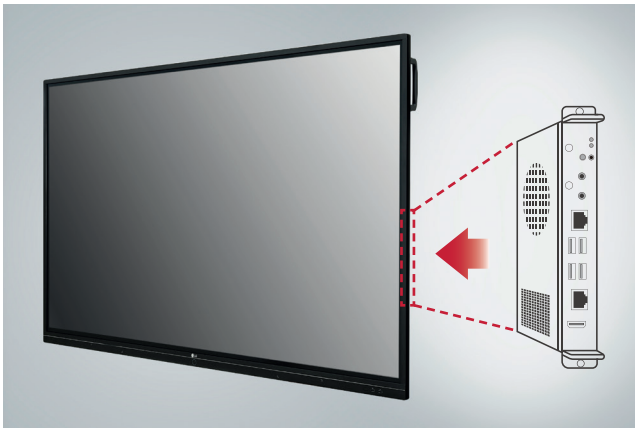
With the newly ScreenShare Pro, enables to show a maximum of six shared screens or a file on a screen in real-time. It offers enhanced usability that allowing users to share Chromecast mirroring on the same network without any application.



### Air Class

Air Class supports connecting up to 30 students and offers interactive meetings for all mobile devices on the same network, providing a variety of tools such as voting, answering, and sharing project texts.

## SECURITY & COMPATIBILITY



### Built-in OPS Slot

The TR3DJ series supports OPS slots allowing you to easily and conveniently mount OPS desktop at the back of the digital board without the hassle of connecting to an external desktop, offering you more expanded functions.



### USB Block

The USB Block Mode that helps secure and prevent data from being copied into unauthorized devices in advance, which is essential for being used in space where security is critical.



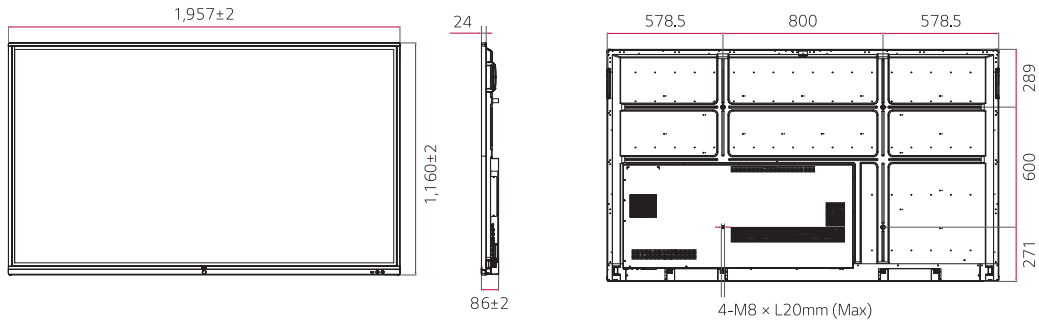
### Secure Mode

Secure Mode blocks unauthorised contents to be shown via sharing screen function in various devices. The preloaded applications related to share screens will be hidden from menu. Secured mode disables screen mirroring options for SSP (Screen Share Pro). It helps prevent unauthorised access to your IDB.

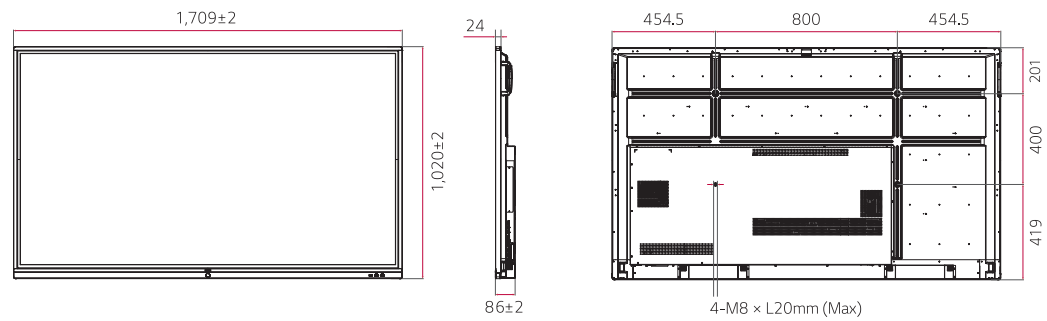
## DIMENSION

(unit: mm)

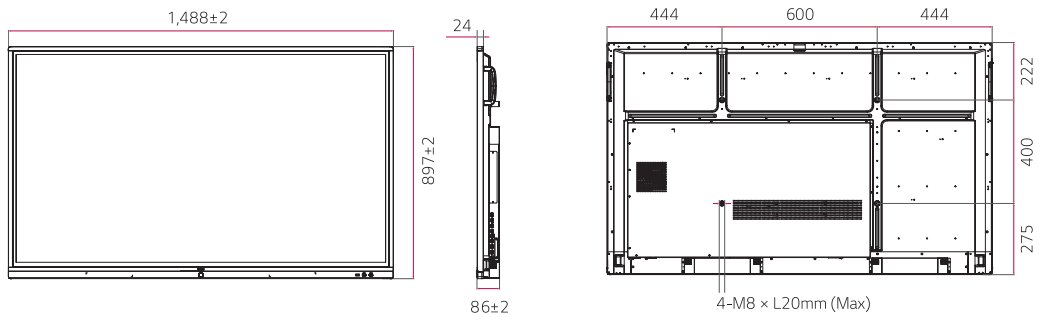
86



75

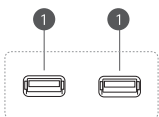


65

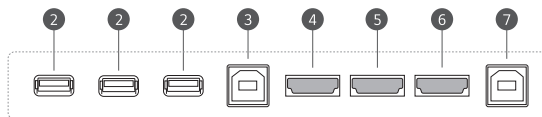


## CONNECTIVITY

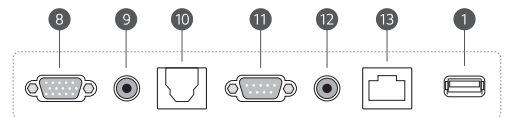
Front



Side



Bottom



① USB 2.0

② USB 3.0

③ TOUCH OUT 1

④ HDMI IN 1

⑤ HDMI IN 2

⑥ HDMI IN 3

⑦ TOUCH OUT 2

⑧ VGA

⑨ AUDIO IN

⑩ SPDIF

⑪ RS-232C IN

⑫ AUDIO OUT

⑬ LAN

## SPECIFICATIONS

	Model Name	86TR3DJ	75TR3DJ	65TR3DJ
Panel	Screen Size	86	75	65
	Panel Technology	IPS		
	Back Light Type	Direct LED		
	Aspect Ratio	16:9		
	Native Resolution	3840 x 2160 (UHD)		
	Brightness	350 cd / m <sup>2</sup>		
	Contrast Ratio	1,200:1		
	Viewing Angle (H x V)	178 X 178		
	Response Time	8ms (G to G)		
	Surface Treatment (Haze)	Hard surface, Anti scratch & Anti-glare treatment of the front polariser or same		
	Duty Cycle / Operation Hours (Hours / Day)	16 / 7		
	Orientation	Landscape		
SoC	RAM	3 Gb		
	Storage	32 Gb		
	Processor	Dual core A73+Dual core A53		
Connectivity	Input	HDMI (3), VGA (1), Audio In, USB 2.0 (3), USB 3.0 (3), OPS		
	External Control	RS232C In, RJ45		
	Output	Audio Out / Optical Output, Touch Out (2)		
Mechanical Specification	Bezel Color	Black		
	Bezel Width	18.9/18.9/18.9/45.7mm		
	Weight (Head)	67.45kg	53.1Kg	38.75Kg
	Monitor Dimension (W x H x D)	1957x1160x87mm	1710x1020x87mm	1489x897x87mm
	Carton Dimensions (W x H x D) (Box Outer Size)	2112x280x1283mm	1860x280x1140mm	1628x208x1005mm
	VESATM Standard Mount Interface	800x600	800x400	600x400
Key Features	HW	Wi-Fi Built-in (802.11n / b / g / ac combo, dual band),		
	SW	Web Browser, WPS Office (Word, Excel, PPT, PDF Viewer), factory resetting, File play with USB, Screen Share Pro, Bluetooth Connectivity, Partial Capture, Email, Builtin White Board Software (Content Management in White Board Application:- Directly Import Images / PDF files in White board software and able to export pages of white board application in Image / PDF format), Annotation tool Pen, Eraser, Highlighter, Redo and Undo, Save, File and Folder Manager, Cloud Storage, Folder Manager, Built in Media Player (Standard Codec Supported), Free Firmware Updates, Built-in Media Player		
Environment Conditions	Operation Temperature	0 °C to 40 °C		
	Operation Humidity	10% to 80%		
Power	Power Supply	AC 100-240V-, 50 / 60Hz		
	Power Type	Built-In Power		
Power Consumption	Typ. / Max.	370W / 500W	260W / 350W	180W / 300W
Sound	Speaker	(10W x 2)		
Certification	Safety	CB, NRTL, BIS, RoHS		
	EMC	FCC Class "A" / CE		
Accessory	Basic	Power Cord 3 M*1, USB Cable (Type A-Type B) 5 M*1, HDMI Cable 3 M*1, Writing Pen*2pcs, User Manual, QSG, Carton Box, Remote Controller (include battery 2ea)		
Touch	TouchType	IR		
	Protection Glass Thickness	4T (Anti-Glare)		
	Operating System Support	Windows 7 / 8 / 10 / WindowsXP / Linux / Mac / Android (WindowsXP / Linux / Mac Support one point touch)		
	Multi Touch Point	Max 20 Points		

As a continuing policy of product development at LG Electronics, the design and specifications are subject to change. They may vary from model to model. Colour/shades may vary due to printing restrictions. E&OE.