

INTERNATIONAL AIRPORT

Departure 9:50 AM

Flight	STD	To/Via	Counter	Remark	Flight	STD	To/Via	Counter	Remark
MI2263	11:05	Wisconsin	L10-L12	Cancelled	MU9643	12:05	Berlin	A1-10	Check-In
MI2984	11:10	Michigan	K20-K29	Check-In	MU2432	12:10	Paris	A11-A20	Check-In
MF8740	11:10	Nevada	M20-M2	Check-In	MH3720	12:20	London	C20-C25	Check-In
MI2154	11:15	New Jersey	M20-M2	Check-In	3U8154	12:25	Rome	E11-E17	Cancelled
CZ6230	11:20	California	L3-L10	Check-In	MI2890	12:40	Budapest	E1-E10	
G52091	11:25	Colorado	K20-K29	Check-In	CH5903	12:45	Lisbon	D5-D12	
CZ6455	11:30	Florida	N6-N10	Cancelled	3U8879	12:50	Monaco	F1-F3	
HO1078	11:35	Mississippi	N1-N5	Check-In	1U6350	13:00	Amsterdam	F5-F10	
MU2286	11:40	Missouri	O10-O15	Check-In	CH3212	13:10	Prague	S10-S15	
3U8195	11:45	Virginia	M10-13	Check-In	3U2111	13:15	Viadrin	D5-D12	
MF2378	11:50	Pennsylvania	M10-13	Check-In	MU9651	13:20	Stockholm	F5-F10	
MI211Q	11:55	Texas	M2	Check-In	MI1212	13:30	Ankara	E1-E10	

TRAVEL AROUND THE WORLD

ANYTIME, ANYWHERE








* All images are for illustrative purposes only.


INDOOR LG LED SIGNAGE

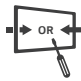
LSCA Versatile Series

- 

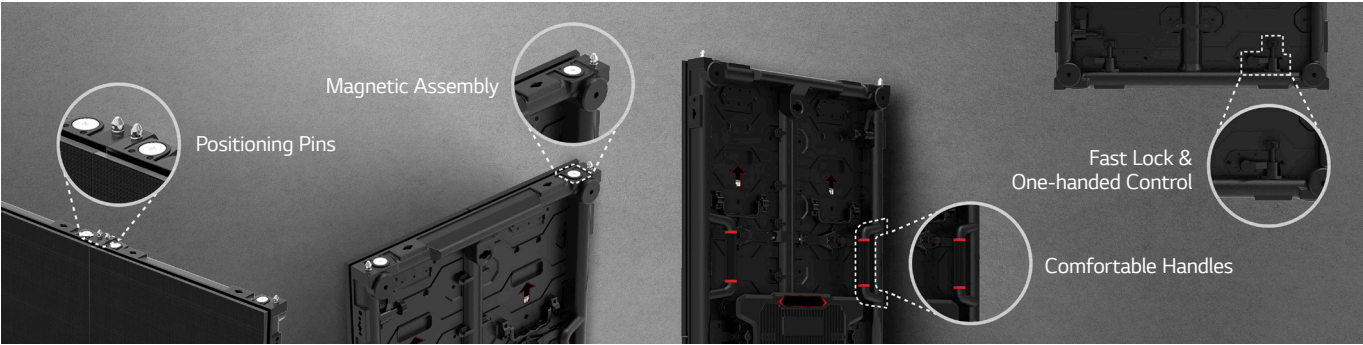
Fast Installation
- 

Easy Maintenance
- 

Two Cabinet Options
- 

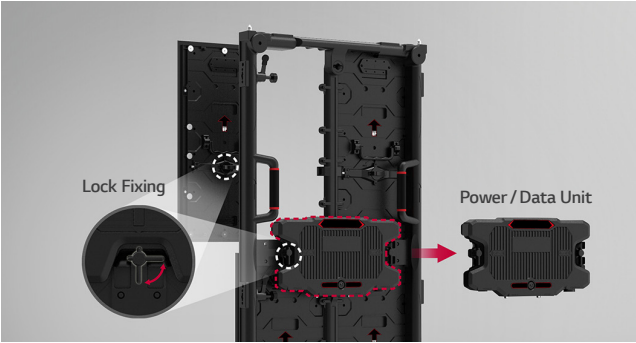
90° Corner Design Available
- 

Front or Rear Serviceability



Fast Installation

Various factors including magnets on the top and bottom, positioning pins, handles and fast locks help installers easily set up and dismantle the LED screens without additional tools.



Easy Maintenance

The LSCA series applied a simple Lock Fixing method which requires no additional tools, making it easier to replace LED modules or power/data units. It saves cost and time for maintenance.



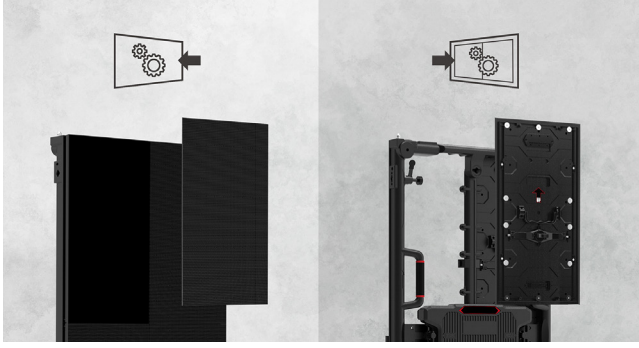
Two Cabinet Options

The LSCA series offers two sizes of cabinets, enabling a screen size configuration that fits perfectly with customer's demands.



90° Corner Design Available

If you add a 90° corner option, the LSCA series can deliver flawless content even when installed on right-angled structures.



Front or Rear Serviceability

The product offers either front access or rear access, allowing customers to choose installation options according to their environment and minimizes limitations in installation and maintenance.

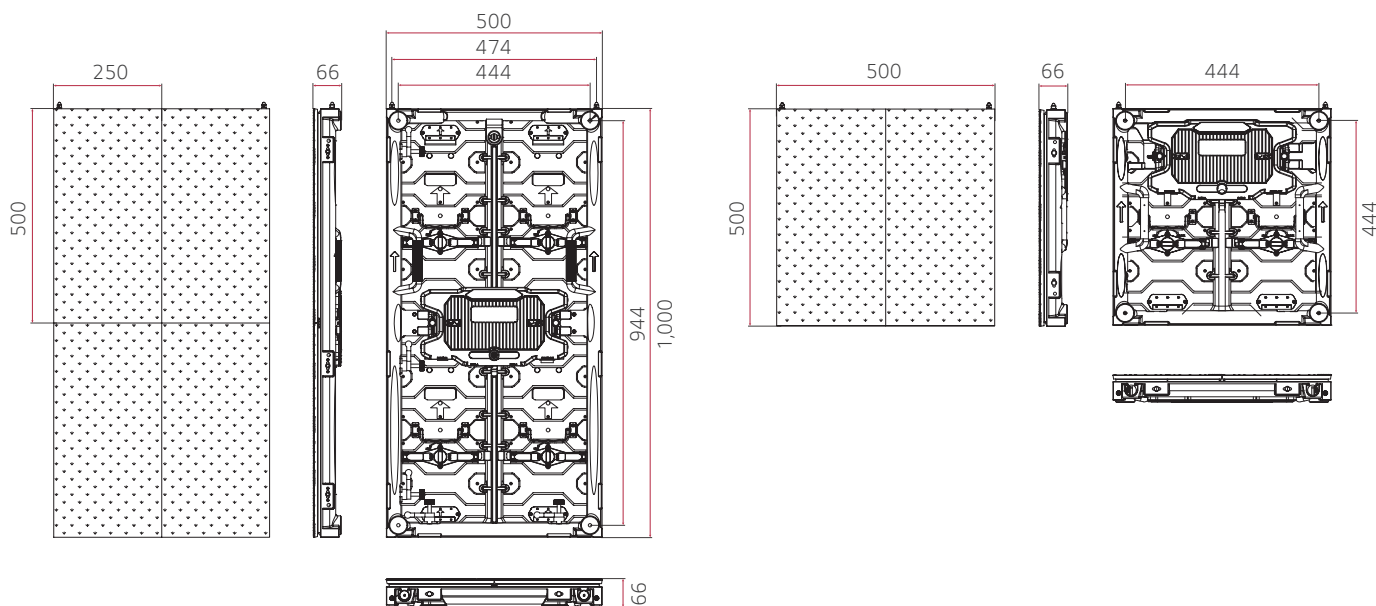
PRODUCT INFORMATION



LSCA Series

Pixel Pitch	2.97 / 3.91 mm
Brightness	1,000 nit
Refresh Rate	2,880 / 3,840 Hz
Serviceability	Front or Rear (One Option Only)
IP Rating	IP30

DIMENSION (unit: mm)



As a continuing policy of product development at LG Electronics, the design and specifications are subject to change. They may vary from model to model. Colour/shades may vary due to printing restrictions. E&OE.



LG B2B CUSTOMER CARE
 1800-180-9898 (Toll Free)
 5757554 (Send SMS)
www.lg.com/in/support



LG Service India Mobile App Available at Google Play

www.facebook.com/lgindiapage/
www.twitter.com/LGIndia

To know more about LG, visit www.lg.com/in
 For B2B Solutions/Product enquiries, please write to b2b.solutions@lge.com
 For B2B Service, please write to b2bsupport.india@lge.com

