

# Cross Reference Guide

**LG Scroll**  
R22, R410a Compressor



## Contents

### **LG Compatible Models** ————— 3 ~ 9

- R22 Single Phase [ZR Series]
- R22 Three Phase [ZR Series]
- R410a Single Phase [ZP Series]
- R410a Three Phase [ZP Series]

### **LG Compressor Dimension** ————— 10 ~ 11

### **LG Compressor Nomenclature & Serial Number** — 12

- Nomenclature
- Serial Number

### **LG Service Compressor Kit** ————— 13

- Compressor Label
- Accessories

### **Thermal Protector & Molded Plug Service** — 14

- Steps to replace Thermal Protector
- Notes for Thermal Protector & Molded Plug

### **Thermal Protector Wiring Diagram** ————— 15

## **LG Scroll** R22, R410a Compressor





## R22 Single Phase, 208-230 Volt, 60Hz (ZR Series)

Copeland		LG Compatible Model										
Model	Cap (BTU)	Model	Cap (BTU)	Volts	RLA (MCC/1.56)	MFD	Volts	Height (inch)	Suction_ID (inch)	Suction_H (inch)	Discharge_ID (inch)	Discharge_H (inch)
ZR22K3-PFV	22,400	SQA022KA*	21,500	208-230	10.4	35	400	16.94	0.76	11.12	0.50	15.41
ZR24K3-PFV	24,500	SQA026KA*	26,100	208-230	11.5	35	400	16.94	0.76	11.12	0.50	15.41
ZR26K3-PFV	26,600	SQA026KA*	26,100	208-230	11.5	35	400	16.94	0.76	11.12	0.50	15.41
ZR28K3-PFV	28,500	SQA026KA*	26,100	208-230	11.5	35	400	16.94	0.76	11.12	0.50	15.41
ZR30K3-PFV	31,100	SQ032KB*	32,200	208-230	-	45	450	15.91	0.76	10.55	0.50	15.00
		SQA032KA*	32,300	208-230	14.4	45	400	16.94	0.76	11.12	0.50	15.41
ZR32K3-PFV	32,600	SQ032KB*	32,200	208-230	13.7	45	450	15.91	0.76	10.55	0.50	15.00
		SQA032KA*	32,300	208-230	14.4	45	400	16.94	0.76	11.12	0.50	15.41
ZR34K3-PFV	34,400	SQ036KF*	36,600	208-230	13.7	50	450	15.91	0.76	10.55	0.50	15.00
		SQA038KA*	37,000	208-230	16.5	50	440	16.94	0.76	11.12	0.50	15.41
ZR36K3-PFV	36,900	SQ036KF*	36,600	208-230	15.5	50	450	15.91	0.76	10.55	0.50	15.00
		SQA038KA*	37,000	208-230	16.5	50	440	16.94	0.76	11.12	0.50	15.41
ZR40K3-PFV	40,600	SQA038KA*	37,000	208-230	16.5	50	440	16.94	0.76	11.12	0.50	15.41
		SQA042KA*	41,200	208-230	17.2	50	440	16.94	0.76	11.12	0.50	15.41
ZR42K3-PFV	42,800	SQA042KA*	41,200	208-230	17.2	50	440	16.94	0.76	11.12	0.50	15.41
ZR45K3-PFV	46,000	SR047KB*	47,600	208-230	20.1	60	450	18.39	0.88	12.80	0.50	17.24
ZR46K3-PFV	47,000	SR047KB*	47,600	208-230	20.1	60	450	18.39	0.88	12.80	0.50	17.24
		SR049KA*	50,500	208-230	-	70	450	18.39	0.88	12.80	0.50	17.24
ZR47K3-PFV	48,200	SR047KB*	47,600	208-230	20.1	60	450	18.39	0.88	12.80	0.50	17.24
		SR049KA*	50,500	208-230	-	70	450	18.39	0.88	12.80	0.50	17.24
ZR48K3-PFV	49,800	SR047KB*	47,600	208-230	20.1	60	450	18.39	0.88	12.80	0.50	17.24
		SR049KA*	50,500	208-230	-	70	450	18.39	0.88	12.80	0.50	17.24
ZR49K3-PFV	49,200	SR047KB*	47,600	208-230	20.1	60	450	18.39	0.88	12.80	0.50	17.24
		SR049KA*	50,500	208-230	-	70	450	18.39	0.88	12.80	0.50	17.24
ZR52K3-PFV	52,000	SR047KB*	47,600	208-230	20.1	60	450	18.39	0.88	12.80	0.50	17.24
		SR049KA*	50,500	208-230	-	70	450	18.39	0.88	12.80	0.50	17.24
		SRA053KA*	53,500	208-230	23.1	70	450	18.39	0.88	12.79	0.50	17.24
ZR54K3-PFV	55,000	SR049KA*	50,500	208-230	-	70	450	18.39	0.88	12.80	0.50	17.24
		SRA053KA*	53,500	208-230	23.1	70	450	18.39	0.88	12.79	0.50	17.24
ZR57K3-PFV	58,000	SRA053KA*	53,500	208-230	23.1	70	450	18.39	0.88	12.79	0.50	17.24
		SR061KA*	62,000	208-230	24.0	60	450	18.39	0.88	12.80	0.50	17.24
ZR61K3-PFV	62,000	SR061KA*	62,000	208-230	24.0	60	450	18.39	0.88	12.80	0.50	17.24

Replacements based on +/- 10% actual capacity



## R22 Three Phase, 200-230 Volt, 60Hz (ZR Series)

Copeland		LG Compatible Model										
Model	Cap (BTU)	Model	Cap (BTU)	Volts	RLA (MCC-1.56)	MFD	Volts	Height (inch)	Suction_ID (inch)	Suction_H (inch)	Discharge_ID (inch)	Discharge_H (inch)
ZR45K3-TF5	45,600	SR049RA*	49,500	208-230	16.0	-	-	18.90	0.88	12.80	0.50	17.24
ZR46K3-TF5	46,100	SR049RA*	49,500	208-230	16.0	-	-	18.90	0.88	12.80	0.50	17.24
ZR47K3-TF5	47,500	SR049RA*	49,500	208-230	16.0	-	-	18.90	0.88	12.80	0.50	17.24
ZR48K3-TF5	49,100	SR049RA*	49,500	208-230	16.0	-	-	18.90	0.88	12.80	0.50	17.24
ZR49K3-TF5	49,200	SR049RA*	49,500	208-230	16.0	-	-	18.90	0.88	12.80	0.50	17.24
ZR52K3-TF5	52,000	SR049RA*	49,500	208-230	16.0	-	-	18.90	0.88	12.80	0.50	17.24
ZR54K3-TF5	54,200	SR049RA*	49,500	208-230	16.0	-	-	18.90	0.88	12.80	0.50	17.24
ZR57K3-TF5	58,500	SR061RB*	62,000	208-230	17.8	-	-	18.90	0.88	12.80	0.50	17.24
ZR61K3-TF5	62,000	SR061RB*	62,000	208-230	17.8	-	-	18.90	0.88	12.80	0.50	17.24
		SR071RA*	71,000	208-230	-	-	-	18.90	0.88	12.80	0.50	17.24
ZR84KC-TF5	85,500	SR081RA*	78,000	208-230	-	-	-	18.90	0.88	12.80	0.50	17.24

Replacements based on +/- 10% actual capacity

## R22 Three Phase, 460 Volt, 60Hz (ZR Series)

Copeland		LG Compatible Model										
Model	Cap (BTU)	Model	Cap (BTU)	Volts	RLA (MCC-1.56)	MFD	Volts	Height (inch)	Suction_ID (inch)	Suction_H (inch)	Discharge_ID (inch)	Discharge_H (inch)
ZR45K3-TFD	45,600	SR049SA*	49,500	460	8.0	-	-	18.90	0.88	12.80	0.50	17.24
ZR46K3-TFD	46,100	SR049SA*	49,500	460	8.0	-	-	18.90	0.88	12.80	0.50	17.24
ZR47K3-TFD	47,500	SR049SA*	49,500	460	8.0	-	-	18.90	0.88	12.80	0.50	17.24
ZR48K3-TFD	48,900	SR049SA*	49,500	460	8.0	-	-	18.90	0.88	12.80	0.50	17.24
ZR49K3-TFD	49,200	SR049SA*	49,500	460	8.0	-	-	18.90	0.88	12.80	0.50	17.24
ZR52K3-TFD	52,000	SR049SA*	49,500	460	8.0	-	-	18.90	0.88	12.80	0.50	17.24
ZR54K3-TFD	54,500	SR049SA*	49,500	460	8.0	-	-	18.90	0.88	12.80	0.50	17.24
ZR57K3-TFD	58,500	SR061SA*	61,500	460	7.8	-	-	18.90	0.88	12.80	0.50	17.24
ZR61K3-TFD	62,000	SR061SA*	61,500	460	7.8	-	-	18.90	0.88	12.80	0.50	17.24
ZR84KC-TFD	85,500	SR081SA*	78,000	460	-	-	-	18.90	0.88	12.80	0.50	17.24

Replacements based on +/- 10% actual capacity



## R410a Single Phase, 208-230 Volts, 60Hz (ZP Series)

Copeland		LG Compatible Model										
Model	Cap (BTU)	Model	Cap (BTU)	Volts	RLA (MCC-1.56)	MFD	Volts	Height (inch)	Suction_ID (inch)	Suction_H (inch)	Discharge_ID (inch)	Discharge_H (inch)
ZP16K3E-PFV	15,500	APA016KA*	15,200	208-230	8.1	35	370	16.02	0.76	9.83	0.50	14.93
		APB016KA*	15,200	208-230	8.7	35	370	16.02	0.76	9.83	0.50	14.93
ZP16K5E-PFV	15,500	APA016KA*	15,200	208-230	8.1	35	370	16.02	0.76	9.83	0.50	14.93
		APB016KA*	15,200	208-230	8.7	35	370	16.02	0.76	9.83	0.50	14.93
ZP20K3E-PFV	20,300	APA020KA*	19,500	208-230	10.7	35	370	16.02	0.76	9.83	0.50	14.93
		APB020KA*	19,500	208-230	9.8	35	370	16.02	0.76	9.83	0.50	14.93
ZP20K5E-PFV	20,000	APA020KA*	19,500	208-230	10.7	35	370	16.02	0.76	9.83	0.50	14.93
ZP21K5E-PFV	21,300	APB020KA*	19,500	208-230	9.8	35	370	16.02	0.76	9.83	0.50	14.93
ZP23K3E-PFV	23,500	APA024KA*	22,400	208-230	11.4	40	370	16.02	0.76	9.83	0.50	14.93
		APB024KA*	22,400	208-230	12.4	40	370	16.02	0.76	9.83	0.50	14.93
ZP24K5E-PFV	24,000	APA024KA*	22,400	208-230	11.4	40	370	16.02	0.76	9.83	0.50	14.93
		APB024KA*	22,400	208-230	12.4	40	370	16.02	0.76	9.83	0.50	14.93
ZP25K5E-PFV	25,200	APA026KA*	24,500	208-230	11.6	40	440	16.02	0.76	9.83	0.50	14.93
		APB026KA*	24,500	208-230	12.7	40	440	16.02	0.76	9.83	0.50	14.93
ZP26K3E-PFV	25,700	APA026KA*	24,500	208-230	11.6	40	440	16.02	0.76	9.83	0.50	14.93
		APB026KA*	24,500	208-230	12.7	40	440	16.02	0.76	9.83	0.50	14.93
		APA029KA*	28,000	208-230	14.1	45	440	16.02	0.76	9.83	0.50	14.93
ZP28K5E-PFV	27,900	APA029KA*	28,000	208-230	14.1	45	440	16.02	0.76	9.83	0.50	14.93
		APA030KA*	29,000	208-230	14.2	45	440	16.02	0.76	9.83	0.50	14.93
ZP29K5E-PFV	29,000	APA029KA*	28,000	208-230	14.1	45	440	16.02	0.76	9.83	0.50	14.93
ZP31K5E-PFV	31,100	APA030KA*	29,000	208-230	14.2	45	440	16.02	0.76	9.83	0.50	14.93
		APA032KA*	30,500	208-230	15.3	45	440	16.02	0.76	9.83	0.50	14.93
ZP32K3E-PFV	31,300	APA030KA*	29,000	208-230	14.2	45	440	16.02	0.76	9.83	0.50	14.93
		APA032KA*	30,500	208-230	15.3	45	440	16.02	0.76	9.83	0.50	14.93
ZP34K5E-PFV	34,500	AQA034KA*	34,100	208-230	16.0	45	440	17.46	0.88	11.97	0.50	16.42
		ABA036KA*	36,500	208-230	21.2	45	440	17.68	0.88	11.69	0.50	16.37
		AQA038KA*	37,700	208-230	18.0	60	440	17.46	0.88	11.97	0.50	16.42
ZP36K3E-PFV	36,200	AQA034KA*	34,100	208-230	16.0	45	440	17.46	0.88	11.97	0.50	16.42
		ABA036KA*	36,500	208-230	21.2	45	440	17.68	0.88	11.69	0.50	16.37
		AQA038KA*	37,700	208-230	18.0	60	440	17.46	0.88	11.97	0.50	16.42
		AQA039KA*	39,000	208-230	18.2	60	440	17.46	0.88	11.97	0.50	16.42
ZP36K5E-PFV	36,000	AQA034KA*	34,100	208-230	16.0	45	440	17.46	0.88	11.97	0.50	16.42
		ABA036KA*	36,500	208-230	21.2	45	440	17.68	0.88	11.69	0.50	16.37
		AQA038KA*	37,700	208-230	18.0	60	440	17.46	0.88	11.97	0.50	16.42
		AQA039KA*	39,000	208-230	18.2	60	440	17.46	0.88	11.97	0.50	16.42

Replacements based on +/- 10% actual capacity



## R410a Single Phase, 208-230 Volts, 60Hz (ZP Series)

Copeland		LG Compatible Model										
Model	Cap (BTU)	Model	Cap (BTU)	Volts	RLA (MCC-1.56)	MFD	Volts	Height (inch)	Suction_ID (inch)	Suction_H (inch)	Discharge_ID (inch)	Discharge_H (inch)
ZP38K3E-PFV	37,800	ABA036KA*	36,500	208-230	21.2	45	440	17.68	0.88	11.69	0.50	16.37
		AQA038KA*	37,700	208-230	18.0	60	440	17.46	0.88	11.97	0.50	16.42
		AQA039KA*	39,000	208-230	18.2	60	440	17.46	0.88	11.97	0.50	16.42
		AQA040KA*	40,000	208-230	18.3	60	440	18.35	0.88	12.32	0.50	17.83
ZP38K5E-PFV	37,500	ABA036KA*	36,500	208-230	21.2	45	440	17.68	0.88	11.69	0.50	16.37
		AQA038KA*	37,700	208-230	18.0	60	440	17.46	0.88	11.97	0.50	16.42
		AQA039KA*	39,000	208-230	18.2	60	440	17.46	0.88	11.97	0.50	16.42
		AQA040KA*	40,000	208-230	18.3	60	440	18.35	0.88	12.32	0.50	17.83
ZP39K5E-PFV	39,000	ABA036KA*	36,500	208-230	21.2	45	440	17.68	0.88	11.69	0.50	16.37
		AQA038KA*	37,700	208-230	18.0	60	440	17.46	0.88	11.97	0.50	16.42
		AQA039KA*	39,000	208-230	18.2	60	440	17.46	0.88	11.97	0.50	16.42
		AQA040KA*	40,000	208-230	18.3	60	440	18.35	0.88	12.32	0.50	17.83
ZP41K3E-PFV	41,000	AQA038KA*	37,700	208-230	18.0	60	440	17.46	0.88	11.97	0.50	16.42
		AQA039KA*	39,000	208-230	18.2	60	440	17.46	0.88	11.97	0.50	16.42
		AQA040KA*	40,000	208-230	18.3	60	440	18.35	0.88	12.32	0.50	17.83
		AQA042KA*	41,500	208-230	20.0	70	440	17.46	0.88	11.97	0.50	16.42
		ABA042KA*	42,500	208-230	24.2	70	440	17.68	0.88	11.69	0.50	16.37
ZP42K5E-PFV	42,000	AQA039KA*	39,000	208-230	18.2	60	440	17.46	0.88	11.97	0.50	16.42
		AQA040KA*	40,000	208-230	18.3	60	440	18.35	0.88	12.32	0.50	17.83
		AQA042KA*	41,500	208-230	20.0	70	440	17.46	0.88	11.97	0.50	16.42
		ABA042KA*	42,500	208-230	24.2	70	440	17.68	0.88	11.69	0.50	16.37
ZP44K3E-PFV	44,300	AQA042KA*	41,500	208-230	20.0	70	440	17.46	0.88	11.97	0.50	16.42
		ABA042KA*	42,500	208-230	24.2	70	440	17.68	0.88	11.69	0.50	16.37
		ABA049KA*	48,000	208-230	21.6	70	440	17.68	0.88	11.69	0.50	16.37
ZP50K3E-PFV	50,500	ABA049KA*	48,000	208-230	21.6	70	440	17.68	0.88	11.69	0.50	16.37
		ABA051KA*	51,500	208-230	22.1	75	440	17.68	0.88	11.69	0.50	16.37
		ABA054KA*	54,000	208-230	25.1	80	440	17.68	0.88	11.69	0.50	16.37
ZP51K5E-PFV	51,000	ABA049KA*	48,000	208-230	21.6	70	440	17.68	0.88	11.69	0.50	16.37
		ABA051KA*	51,500	208-230	22.1	75	440	17.68	0.88	11.69	0.50	16.37
		ABA054KA*	54,000	208-230	25.1	80	440	17.68	0.88	11.69	0.50	16.37
ZP54K3E-PFV	54,500	ABA051KA*	51,500	208-230	22.1	75	440	17.68	0.88	11.69	0.50	16.37
		ABA054KA*	54,000	208-230	25.1	80	440	17.68	0.88	11.69	0.50	16.37
ZP54K5E-PFV	54,000	ABA051KA*	51,500	208-230	22.1	75	440	17.68	0.88	11.69	0.50	16.37
		ABA054KA*	54,000	208-230	25.1	80	440	17.68	0.88	11.69	0.50	16.37
ZP57K3E-PFV	57,000	ABA054KA*	54,000	208-230	25.1	80	440	17.68	0.88	11.69	0.50	16.37

Replacements based on +/- 10% actual capacity



## R410a Three Phase, 200-230 Volts, 60Hz (ZP Series)

Copeland		LG Compatible Model										
Model	Cap (BTU)	Model	Cap (BTU)	Volts	RLA (MCC-1.56)	MFD	Volts	Height (inch)	Suction_ID (inch)	Suction_H (inch)	Discharge_ID (inch)	Discharge_H (inch)
ZP28K5E-TF5	27,900	APA032RA*	30,000	208-230	8.7	-	-	16.10	0.76	9.83	0.50	14.93
ZP29K5E-TF5	29,000	APA032RA*	30,000	208-230	8.7	-	-	16.10	0.76	9.83	0.50	14.93
ZP31K5E-TF5	31,200	APA032RA*	30,000	208-230	8.7	-	-	16.10	0.76	9.83	0.50	14.93
ZP32K3E-TF5	31,800	APA032RA*	30,000	208-230	8.7	-	-	16.10	0.76	9.83	0.50	14.93
ZP36K3E-TF5	36,200	AQA039RA*	38,800	208-230	10.6	-	-	17.46	0.88	11.97	0.50	16.42
ZP36K5E-TF5	36,000	AQA039RA*	38,800	208-230	10.6	-	-	17.46	0.88	11.97	0.50	16.42
ZP38K3E-TF5	37,600	AQA039RA*	38,800	208-230	10.6	-	-	17.46	0.88	11.97	0.50	16.42
ZP38K5E-TF5	38,100	AQA039RA*	38,800	208-230	10.6	-	-	17.46	0.88	11.97	0.50	16.42
ZP39K5E-TF5	39,000	AQA039RA*	38,800	208-230	10.6	-	-	17.46	0.88	11.97	0.50	16.42
ZP41K3E-TF5	41,200	AQA039RA*	38,800	208-230	10.6	-	-	17.46	0.88	11.97	0.50	16.42
		AQA042RA*	41,500	208-230	11.0	-	-	17.46	0.88	11.97	0.50	16.42
ZP42K5E-TF5	41,900	AQA039RA*	38,800	208-230	10.6	-	-	17.46	0.88	11.97	0.50	16.42
		AQA042RA*	41,500	208-230	11.0	-	-	17.46	0.88	11.97	0.50	16.42
ZP44K3E-TF5	44,300	AQA042RA*	41,500	208-230	11.0	-	-	17.46	0.88	11.97	0.50	16.42
		ABA044RA*	44,300	208-230	12.9	-	-	17.68	0.88	11.69	0.50	16.37
ZP50K3E-TF5	51,500	ABA051RA*	51,500	208-230	13.5	-	-	17.68	0.88	11.69	0.50	16.37
		ABA054RA*	54,500	208-230	13.4	-	-	17.68	0.88	11.69	0.50	16.37
ZP51K5E-TF5	51,500	ABA051RA*	51,500	208-230	13.5	-	-	17.68	0.88	11.69	0.50	16.37
		ABA054RA*	54,500	208-230	13.4	-	-	17.68	0.88	11.69	0.50	16.37
ZP54K3E-TF5	54,500	ABA051RA*	51,500	208-230	13.5	-	-	17.68	0.88	11.69	0.50	16.37
		ABA054RA*	54,500	208-230	13.4	-	-	17.68	0.88	11.69	0.50	16.37
ZP54K5E-TF5	54,300	ABA051RA*	51,500	208-230	13.5	-	-	17.68	0.88	11.69	0.50	16.37
		ABA054RA*	54,500	208-230	13.4	-	-	17.68	0.88	11.69	0.50	16.37
ZP57K3E-TF5	58,000	ABA054RA*	54,500	208-230	13.4	-	-	17.68	0.88	11.69	0.50	16.37
ZP61KCE-TF5	61,500	ARA061RA*	61,500	208-230	-	-	-	17.92	0.88	12.78	0.50	16.82
ZP67KCE-TF5	67,500	ARA061RA*	61,500	208-230	-	-	-	17.92	0.88	12.78	0.50	16.82

Replacements based on +/- 10% actual capacity



## R410a Three Phase, 460 Volts, 60Hz (ZP Series)

Copeland		LG Compatible Model										
Model	Cap (BTU)	Model	Cap (BTU)	Volts	RLA (MCC/1.56)	MFD	Volts	Height (inch)	Suction_ID (inch)	Suction_H (inch)	Discharge_ID (inch)	Discharge_H (inch)
ZP29K5E-TFD	29,000	APA032WA*	30,000	380/460	4.0	-	-	16.10	0.76	9.83	0.50	14.93
ZP31K5E-TFD	31,200	APA032WA*	30,000	380/460	4.0	-	-	16.10	0.76	9.83	0.50	14.93
ZP32K3E-TFD	30,500	APA032WA*	30,000	380/460	4.0	-	-	16.10	0.76	9.83	0.50	14.93
ZP36K3E-TFD	35,600	AQA039SA*	38,800	460	5.3	-	-	17.46	0.88	11.69	0.50	16.37
ZP36K5E-TFD	36,000	AQA039SA*	38,800	460	5.3	-	-	17.46	0.88	11.69	0.50	16.37
ZP38K3E-TFD	37,600	AQA039SA*	38,800	460	5.3	-	-	17.46	0.88	11.69	0.50	16.37
ZP38K5E-TFD	38,100	AQA039SA*	38,800	460	5.3	-	-	17.46	0.88	11.69	0.50	16.37
ZP39K5E-TFD	39,000	AQA039SA*	38,800	460	5.3	-	-	17.46	0.88	11.69	0.50	16.37
ZP41K3E-TFD	40,700	AQA039SA*	38,800	460	5.3	-	-	17.46	0.88	11.69	0.50	16.37
		AQA042WA*	41,500	380/460	5.5	-	-	17.46	0.88	11.69	0.50	16.37
ZP42K5E-TFD	41,900	AQA039SA*	38,800	460	5.3	-	-	17.46	0.88	11.69	0.50	16.37
		AQA042WA*	41,500	380/460	5.5	-	-	17.46	0.88	11.69	0.50	16.37
ZP44K3E-TFD	44,300	AQA042WA*	41,500	380/460	5.5	-	-	17.46	0.88	11.69	0.50	16.37
		ABA044SA*	44,300	460	7.1	-	-	17.68	0.88	11.69	0.50	16.37
ZP50K3E-TFD	51,500	ABA051WA*	51,500	380/460	8.0	-	-	17.68	0.88	11.69	0.50	16.37
		ABA054WA*	54,000	380/460	8.1	-	-	17.68	0.88	11.69	0.50	16.37
ZP51K5E-TFD	51,500	ABA051WA*	51,500	380/460	8.0	-	-	17.68	0.88	11.69	0.50	16.37
		ABA054WA*	54,000	380/460	8.1	-	-	17.68	0.88	11.69	0.50	16.37
ZP54K3E-TFD	54,400	ABA051WA*	51,500	380/460	8.0	-	-	17.68	0.88	11.69	0.50	16.37
		ABA054WA*	54,000	380/460	8.1	-	-	17.68	0.88	11.69	0.50	16.37
ZP54K5E-TFD	54,300	ABA051WA*	51,500	380/460	8.0	-	-	17.68	0.88	11.69	0.50	16.37
		ABA054WA*	54,000	380/460	8.1	-	-	17.68	0.88	11.69	0.50	16.37
ZP57K3E-TFD	58,000	ABA054WA*	54,000	380/460	8.1	-	-	17.68	0.88	11.69	0.50	16.37
ZP72KCE-TFD	72,000	ARA073SA*	74,000	460	-	-	-	17.92	0.88	12.78	0.50	16.82
ZP83KCE-TFD	83,000	ARA081SA*	82,500	460	-	-	-	17.92	0.88	12.78	0.50	16.82

Replacements based on +/- 10% actual capacity





## R410a Single Phase, 208-230 Volts, 60Hz (ZP-K6 Series)

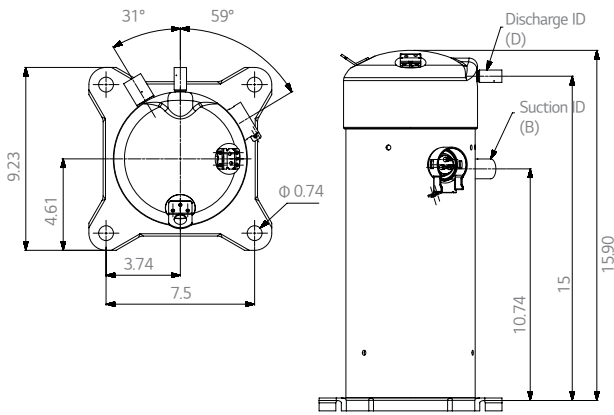
Copeland		LG Compatible Model										
Model	Cap (BTU)	Model	Cap (BTU)	Volts	RLA (MCC/1.56)	MFD	Volts	Height (inch)	Suction_ID (inch)	Suction_H (inch)	Discharge_ID (inch)	Discharge_H (inch)
ZP14K6E-PFV	14,700	APG014KA*	14,600	208-230	7.8	30	370	15.17	0.76	10.37	0.50	14.26
		APG016KA*	15,500	208-230	7.7	35	370	15.17	0.76	10.37	0.50	14.26
ZP16K6E-PFV	15,800	APG016KA*	15,500	208-230	7.7	35	370	15.17	0.76	10.37	0.50	14.26
ZP20K6E-PFV	19,950	APG020KA*	20,000	208-230	10.1	35	370	15.17	0.76	10.37	0.50	14.26
ZP21K6E-PFV	21,200	APG020KA*	20,000	208-230	10.1	35	370	15.17	0.76	10.37	0.50	14.26
ZP22K6E-PFV	22,000	APG020KA*	20,000	208-230	10.1	35	370	15.17	0.76	10.37	0.50	14.26
		APG024KA*	23,500	208-230	10.9	40	370	15.17	0.76	10.37	0.50	14.26
ZP24K6E-PFV	23,900	APG024KA*	23,500	208-230	10.9	40	370	15.17	0.76	10.37	0.50	14.26
		APG025KA*	25,100	208-230	12.2	40	370	15.17	0.76	10.37	0.50	14.26
ZP25K6E-PFV	25,300	APG024KA*	23,500	208-230	10.9	40	370	15.17	0.76	10.37	0.50	14.26
		APG025KA*	25,100	208-230	12.2	40	370	15.17	0.76	10.37	0.50	14.26
ZP27K6E-PFV	27,000	APG029KA*	28,800	208-230	13.6	45	370	15.17	0.76	10.37	0.50	14.26
ZP29K6E-PFV	29,400	APG029KA*	28,800	208-230	13.6	45	370	15.17	0.76	10.37	0.50	14.26
		APG031KA*	30,800	208-230	14.7	45	370	15.17	0.76	10.37	0.50	14.26
ZP31K6E-PFV	31,300	APG029KA*	28,800	208-230	13.6	45	370	15.17	0.76	10.37	0.50	14.26
		APG031KA*	30,800	208-230	14.7	45	370	15.17	0.76	10.37	0.50	14.26
ZP34K6E-PFV	34,600	ABG034KA*	34,350	208-230	15.9	45	440	16.51	0.88	11.62	0.50	15.50
		ABG036KA*	36,000	208-230	15.9	45	440	16.51	0.88	11.62	0.50	15.50
ZP38K6E-PFV	37,500	ABG036KA*	36,000	208-230	15.9	45	440	16.51	0.88	11.62	0.50	15.50
		ABG038KA*	38,100	208-230	15.6	70	370	16.51	0.88	11.62	0.50	15.50
		ABG039KA*	38,100	208-230	15.6	70	370	16.51	0.88	11.62	0.50	15.50
ZP40K6E-PFV	40,000	ABG038KA*	38,100	208-230	15.6	70	370	16.51	0.88	11.62	0.50	15.50
		ABG039KA*	39,500	208-230	16.9	70	370	16.51	0.88	11.62	0.50	15.50
		ABG042KA*	42,000	208-230	18.3	70	370	16.51	0.88	11.62	0.50	15.50
ZP42K6E-PFV	42,500	ABG039KA*	39,500	208-230	16.9	70	370	16.51	0.88	11.62	0.50	15.50
		ABG042KA*	42,000	208-230	18.3	70	370	16.51	0.88	11.62	0.50	15.50
ZP49K6E-PFV	49,400	ABG049KA*	49,400	208-230	20.8	70	440	16.51	0.88	11.62	0.50	15.50
		ABG051KA*	51,000	208-230	22.2	70	440	16.51	0.88	11.62	0.50	15.50
ZP51K6E-PFV	51,000	ABG049KA*	49,400	208-230	20.8	70	440	16.51	0.88	11.62	0.50	15.50
		ABG051KA*	51,000	208-230	22.2	70	440	16.51	0.88	11.62	0.50	15.50
ZP54K6E-PFV	54,900	ABG051KA*	51,000	208-230	22.2	70	440	16.51	0.88	11.62	0.50	15.50

Replacements based on +/- 10% actual capacity

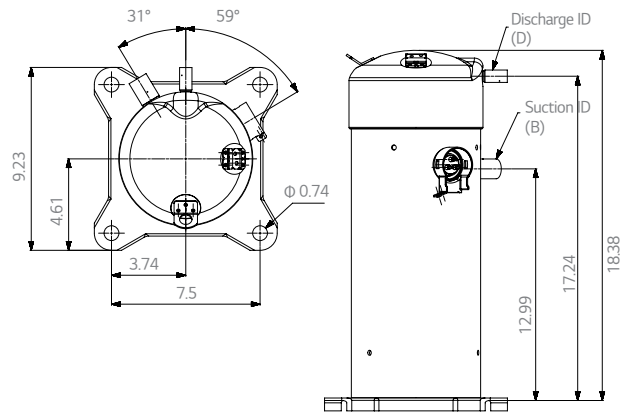


## LG Compressor Dimension

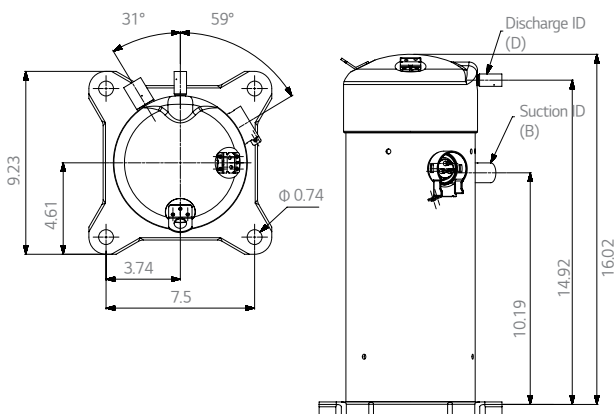
### Dimension



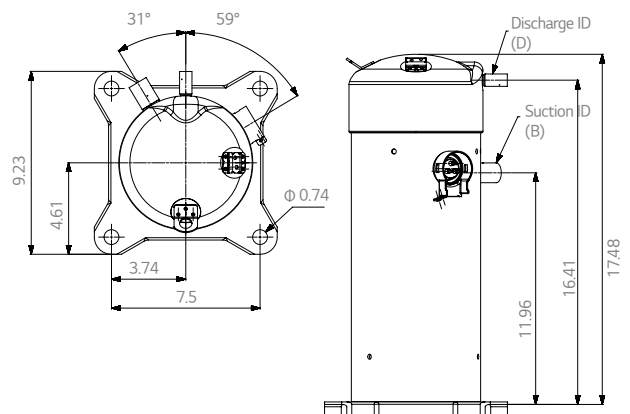
LG Scroll  
SQ/SQA



LG Scroll  
SR/SRA



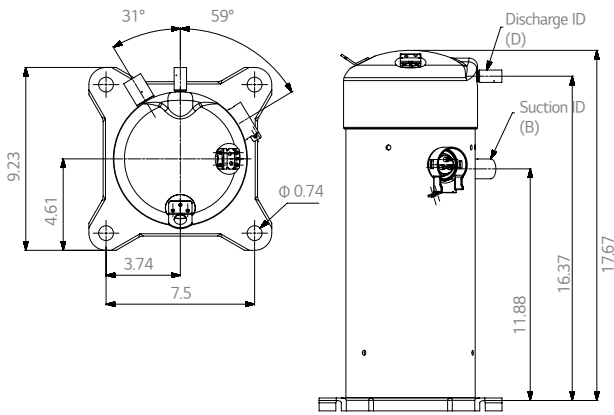
LG Scroll  
APA/APB



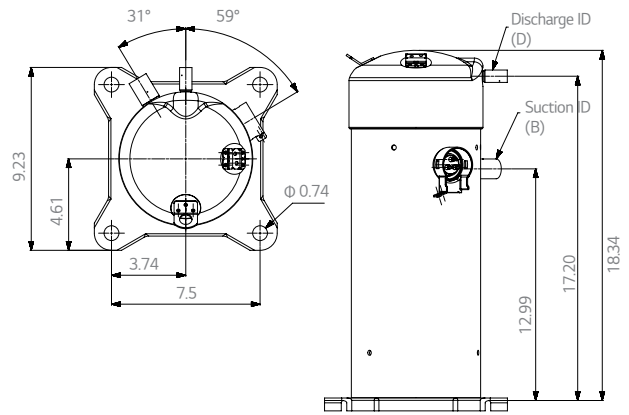
LG Scroll  
AQ/AQA



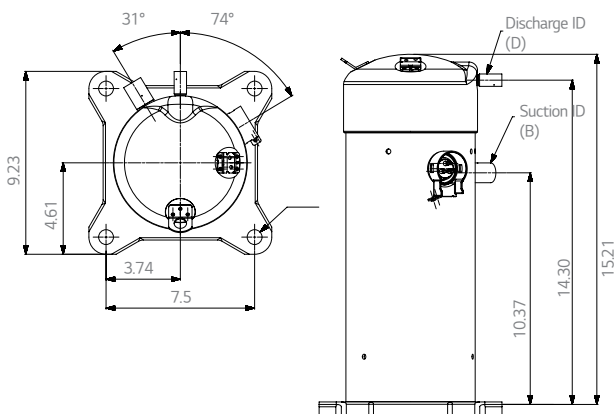
Dimension



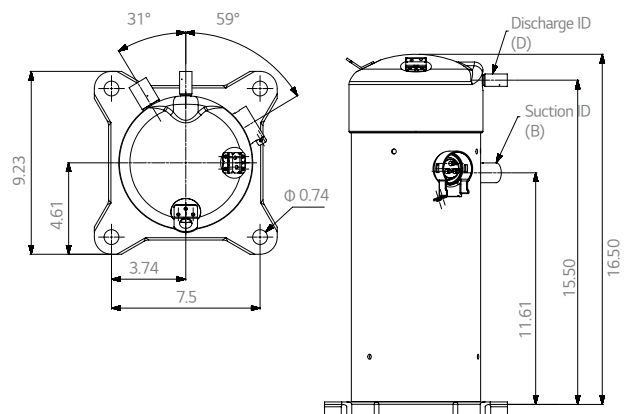
LG Scroll  
AB/ABA



LG Scroll  
AR/ARA



LG Scroll  
APG



LG Scroll  
ABG



## LG Scroll Compressor Nomenclature

**A P A 026 D A A**

Refrigerant

Type	Series	Ref
LSS	A	R410a
LSS	H	R407c
LSS	S	R22
HSS	J	R410a

Compressor size (unit : mm)

B :  $\phi$  160    Q :  $\phi$  147  
 G :  $\phi$  224    R :  $\phi$  179  
 P :  $\phi$  139

Generation code (A-Z)

Capacity (Btu/Hr x 1,000) @ 60Hz

Exterior specification (A-Z)

Motor specification (A-Z)

Motor code

Series	Power Source (V)			Motor
	Phase(θ)	V	HZ	
K	1	208-230	60	Constant
P	1	220/240	50	Constant
R	3	208-230	60	Constant
S	3	460	60	Constant
T	3	575	60	Constant
U	3	380	60	Constant
W	3	460	60	Constant
		380/420	50	
Y	3	380/420	50	Constant
D		BLDC Inverter		BLDC / Distributed
M		BLDC Inverter		BLDC / Distributed

## LG Scroll Compressor Serial Number

**2 6 1 S 0037 X E 26 - D 00001** ← Bar Code Information

Year  
 Month  
 Market  
 Series  
 -R : Rotary  
 -S : Scroll

Lot  
 Year  
 Month  
 Date  
 Production Line  
 Sequence Number

Factory Information

Manufacturing Information

**Serial No.**  
 37XE26-D00001

Year	'91	'92	'93	'94	'95	'96	'97	'98	'99	'00	'01	'02	'03	'04	'05	'06	'07	'08	'09	'10	'11	'12	'13	'14	'15	'16	'17	'18	'19	'20
	A	B	C	D	E	F	G	H	J	K	L	M	N	O	P	R	S	T	U	V	W	X	Y	Z	A	B	C	D	E	F

Month	1	2	3	4	5	6	7	8	9	10	11	12
	A	B	C	D	E	F	G	H	J	K	L	M

Line	A1	A2	A4	A5
	A	B	D	E



## Service Compressor Kit

### Scroll Compressor



1 Single Harness, Terminal Cover, Gasket



2 Thermistor Assembly, Cover Sensor



3 Grommet, Grommet Sleeve



4 Return Label, Installation Instructions



## Compressor Label

**LG**  
**APA032KAG** A57LGE  
 THERMALLY PROTECTED R410A  
 Protection Thermique  
 1 PH 60 Hz 208-230V ~ LRA 70 MCC 23.6  
 LOT NO.61ZR0002 SERIAL NO.02BA07E90001

OIL	WEIGHT	RUN CAP.
POE (27.1oz)	54.7 lb	45 MFD / 440 VAC

MADE IN KOREA

MODEL : APA032KAG  
 S/N : 02BA07E90001

(1)APA032KAG

(S)02BA07E90001

**UL** US  
SAG288

**WARNING**

Service should be performed by trained personnel only.

**ELECTRIC SHOCK HAZARD**

- Ground the equipment properly.
- Turn off the power before servicing.
- Retain Terminal Cover in position whenever power is applied to this compressor.

**BURN HAZARD**

- Do not touch the Compressor with bare hands during operation or after stoppage instantly.

**EXPLOSION OR FIRE**

- Wear safety goggles and gears as system contains oil and refrigerant under pressure.
- Do not compress air.
- Do not use refrigerant and lubricants besides those specified.
- Make sure to connect right way with valves.

**AVERTISSEMENT**

L'entretien doit être réalisé par du personnel qualifié uniquement.

**DANGER D'ELECTROCUTION**

- Relier le matériel à la terre en toute sécurité.
- Mettre le matériel hors tension avant de procéder à son entretien.
- Maintenir le couvercle de raccordement en position dès que du courant est envoyé à ce compresseur.

**DANGER DE BRULURE**

- Ne pas toucher le compresseur à mains nues pendant qu'il fonctionne ou immédiatement après son arrêt.

**EXPLOSION OU INCENDIE**

- Porter des lunettes et un équipement de sécurité : en effet, le système contient de l'huile et du réfrigérant sous pression.
- Ne pas compresser l'air.
- Ne pas utiliser de réfrigérants ou de lubrifiants autres que ceux qui ont été désignés.
- Assurer de raccorder immédiatement l'appareil aux valves.

## Accessories

Accessories Name	Part Number
Terminal Cover	MCK42672701
Single Harness	EAD36733407
Gasket	MDS42672601
Thermistor Assembly	EBG48884806
Cover Sensor	MCK42945701
Grommet Sleeve	4816U-L001E
Grommet	4022U-L004C



## Easy Steps to Replace a Thermal Protector on Compressor Dome



1 Locate top cap and thermal protector on the dome



2 Carefully remove protector cover



3 Expose the protector holder



4 Slide out the protector, slide in replacement, and reinstall the cover

## LG Scroll Compressor Thermal Protector and Molded Plug Assemblies



Figure 1 – Thermal Protector Assembly

- 1 Insert "Thermistor" into the bracket (holder) with rounded surface facing upwards
- 2 Press down "Thermistor Cover" firmly until clicked

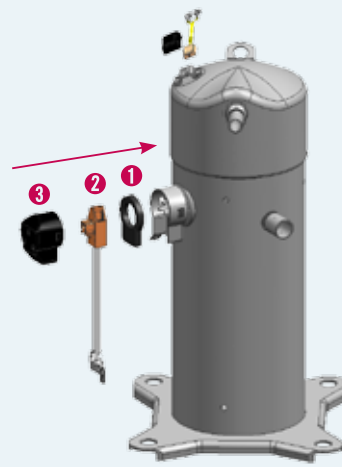


Figure 2 – Molded plug Assembly

- 1 Insert "Gasket" around the Terminal
- 2 Insert "Harness (Molded plug)" to terminal pins
- 3 Press down "Terminal Cover" firmly until clicked

**Note:** The LG Scroll Thermal Protector is a thermal switch that senses the temperature of the scroll mechanism and opens on rise of temperature to prevent damage to the compressor

**Note:** The Thermal Protector MUST be wired in series with the compressor contactor coil.

**Note:** See connection sequence in Figure 1 for reference

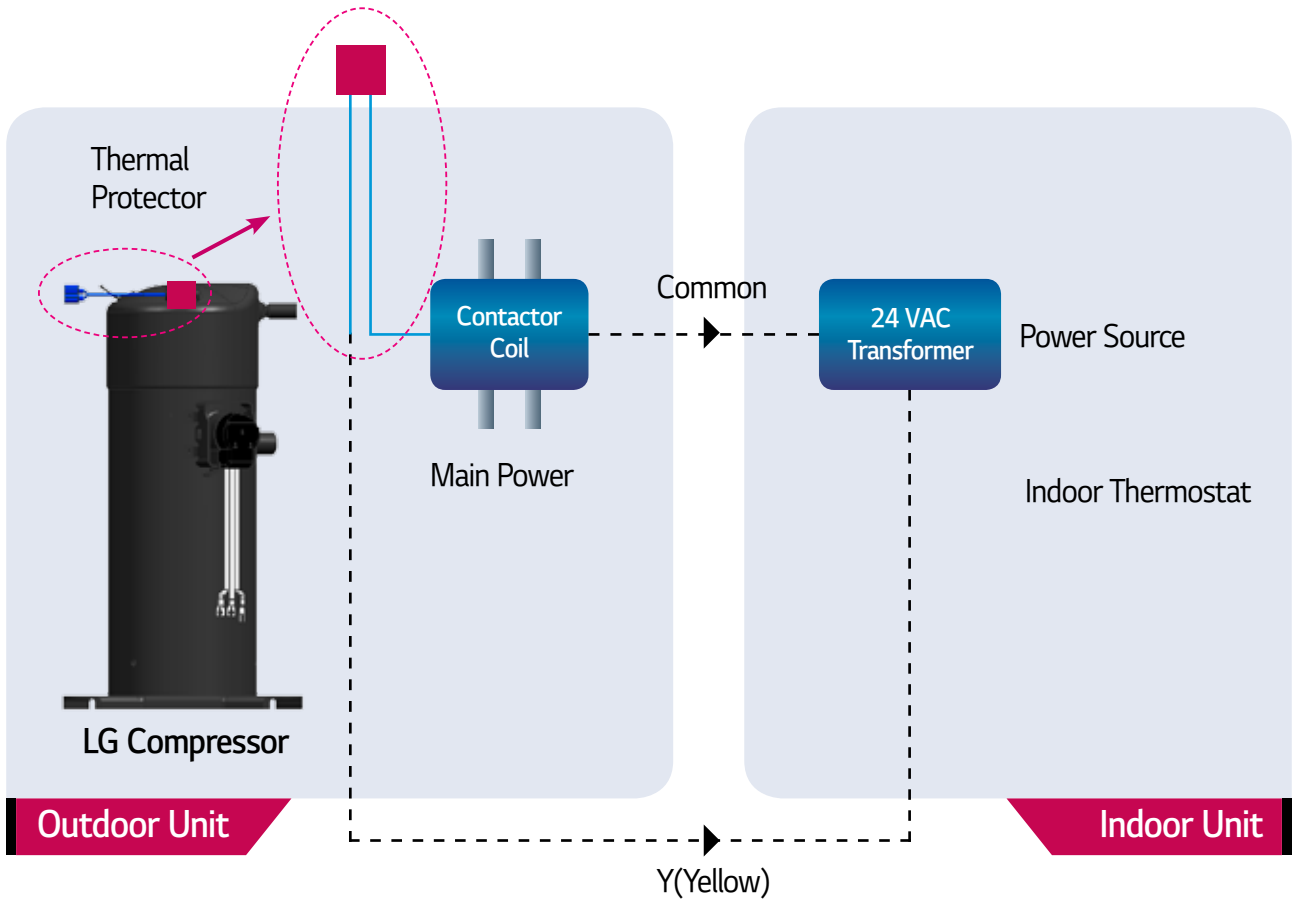
(Reference wiring diagram in next page. Wiring diagrams are provided for reference purposes. Be sure to consult unit wiring diagram and manufacturer's technical literature for your application)

**Note:** Failure of wiring the Thermo Protector properly can result in damage to the compressor and affect the compressor warranty

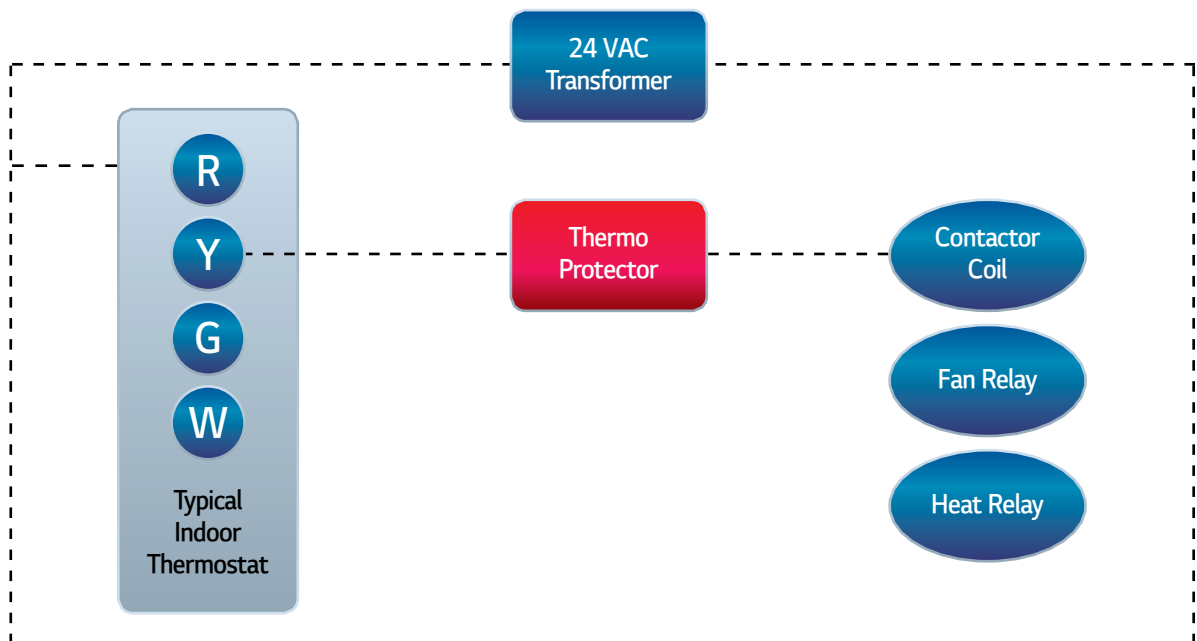
**Note:** Molded plug is not interchangeable with plugs from other manufacturers. Always see connection sequence in Figure 2 for reference



## LG Compressor Thermal Protector Simple Wiring Diagram



## Ladder Diagram





**LG ELECTRONICS, INC.**

Suite 100, 4300 North Point Pkwy Alpharetta, GA 30022

**LG Partner Portal**

<http://partner.lge.com/us/index.lge>