

Essential Commercial TV with Multiple Use

LG Commercial Lite TVs are designed specifically for hospitality and business environments. With the use of simple user-friendly interfaces and superb images and video, the LV300C facilitates communications between businesses and their target audiences.



LV300C

- Welcome Screen
- USB Cloning
- RS-232C
- USB Auto Playback +
- Time Scheduler

screen size

32", 43"



Key Features



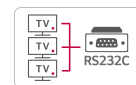
USB Cloning

Clone all commercial TVs with astonishing speed and ease. The USB Cloning feature allows you to simply copy the TV settings to all TVs using a USB memory device.



USB Auto Playback+

Create and sequentially play playlists composed of informative media (video, music and image) you choose without PC and any installation.



RS-232C Control

Via the TV's RS-232C port, you can remotely control power and volume settings simultaneously.

Simple & Effective Maintenance



Hotel Mode

From channel selection to volume setting, you can control the TV settings in all the rooms with Hotel Mode. Prevent misuse by customers, set volume limits, or reset settings to default for any TV. You are in control of it all.



Lock Mode

The Lock Mode blocks external input signals with non-compliant content. A useful feature for preventing misuse of TVs in various facilities or public spaces.



Self Diagnostics (USB)

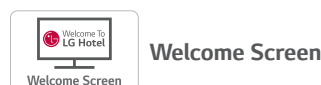
Enables service engineers to recognize technical issues in a TV quickly and easily through a USB. The TV stores any technical issues encountered and can output them to a USB device. Service engineers use this information to analyze technical issues without the actual TV.

Entertainment & Convenience



Time Scheduler

Create your own time scheduler of your Commercial TV. Once you set opening/closing hours and holidays, the TV will turn on/off according to work schedule.



Welcome Screen

Have a warm greeting message with your hotel name and its logo on the TV when it is turned on. The welcome screen provides an inviting, personalized experience for your guests.

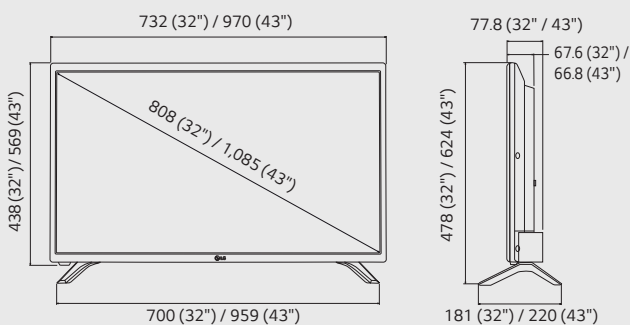
Specifications

LV300C (NA)

		32	43
DISPLAY	Type	Direct LED	
	Resolution	1,366 x 768 (HD)	1,920 x 1,080 (FHD)
BROADCASTING SYSTEM	Analog	NTSC	
	Digital	ATSC / VSB / Clear QAM	
VIDEO	XD Engine	•	
	Real Cinema 24p (3:3 Pull down)	•	
	Aspect Ratio	6 modes (16:9, Just scan, Set by program, 4:3, Zoom, Cinema zoom1)	
AUDIO	Audio Output	5W + 5W	
	Speaker System	2.0 ch	
	Sound Mode	6 modes (Standard, News, Music, Cinema, Sport, Game)	
	Clear Voice	•	
GENERAL FEATURES	Installation	USB Cloning	
	Management	Self Diagnostics (USB), Multi IR Code, HTNG/HDMI-CEC	
	Setting Option	Auto Off/Sleep Timer, Motion Eye Care	
HOSPITALITY FEATURES		Hotel Mode, Lock Mode, Welcome Screen, Insert Image, RJP Compatibility, USB Auto Playback+, Time Scheduler	
INTERFACE	Rear	RF In, AV In (Share with Component), Component In, HDMI In, USB 2.0, RS-232C (Control & Service)	
CABINET (Unit : mm)	Vesa	100 x 100	200 x 200
	W x H x D / weight (with stand)	732 x 478 x 181.1 / 5.1kg	970 x 624 x 220.4 / 8.4kg
	W x H x D / weight (packing)	808 x 512 x 142 / 7.3kg	1,060 x 662 x 142 / 11.5kg
POWER (Unit : Watts)	Voltage, Hz	100 - 240V, 50/60Hz	
	Typical	27.5	37.4
	Stand-by	0.5 ↓	0.5 ↓
STANDARD APPROVAL	Safety	UL	
	EMC	FCC	
	ETC	RoHS, UL, NOM, ENERGY STAR® Qualified	

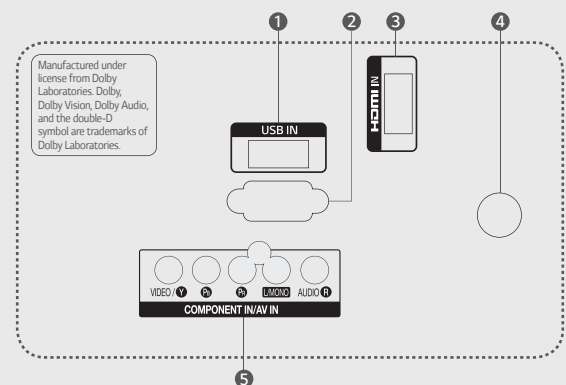
Dimensions (Unit : mm)

32" / 43"

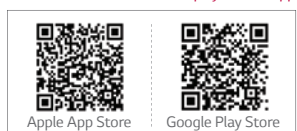


Connectivity

- ① USB IN
- ② RS-232C IN (CONTROL & SERVICE)
- ③ HDMI IN
- ④ ANTENNA / CABLE IN
- ⑤ COMPONENT IN / AV IN



Download LG Commercial Display Mobile App



Learn more www.lg.com/b2b

YouTube youtube.com/c/LGCommercialDisplay

All screen images are simulated. Dimension and weights are approximate. Design, features and specifications subject to change without notice. © Copyright 2017 LG Electronics Inc. All Rights Reserved. Pro:Centric, the "LG" logo, XD Engine are registered trademarks or trademarks of LG Electronics Inc. Pro:Idiom is a registered trademark of Zenith Electronics LLC. All other trademarks or registered trademarks are the property of their respective owners.

