

TV Entertainment and Advertisements on One Screen

The LW540S includes a built-in TV tuner to broadcast TV programs and deliver advertisements simultaneously. This affordable solution allows you to create content and manage the displays using the SuperSign™ software. The 74 pre-installed templates make it easier than ever to create dazzling content for various verticals.



- Built-in Speakers and TV Tuner
- Wi-Fi Dongle Ready
- USB Plug and Play
- Fail Over (Internal Memory Only)
- RTC (Real Time Clock)
- NTP (Network Time Protocol)
- SuperSign Lite/C Compatibility

screen size
43", 49", 55"

Key Features

Simple Connectivity

With Wi-Fi dongle support, distribution of advertisement content has been simplified. By removing the need of an external media player and Ethernet/RS-232C cables, the total cost of ownership (TCO) can be reduced.

Fail Over (Internal Memory only)

The USB fail over function enables content to be displayed without dead spots when no input signal is available. This feature supports files in JPG format with a maximum file size of 10 MB.

RTC

Save time and improve convenience with RTC (Real Time Clock). When the TV's power is off, time information is stored on the RTC module via an internal memory, and a time sync process can be omitted as the TV turns on.

NTP

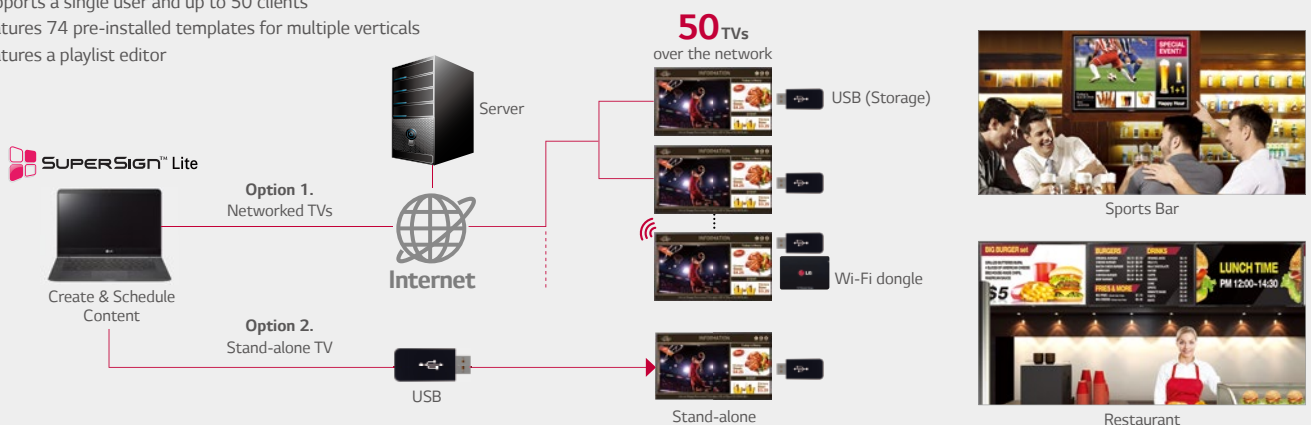
With NTP (Network Time Protocol), the TV receives real time updates from the network and synchronizes its time accordingly.

SuperSign™ Solutions

The SuperSign™ Solution includes SuperSign Lite, SuperSign C and SuperSign Simple Editor to provide digital media editing, scheduling, distribution and management capabilities.

SUPERSIGN™ Lite

- Supports a single user and up to 50 clients
- Features 74 pre-installed templates for multiple verticals
- Features a playlist editor

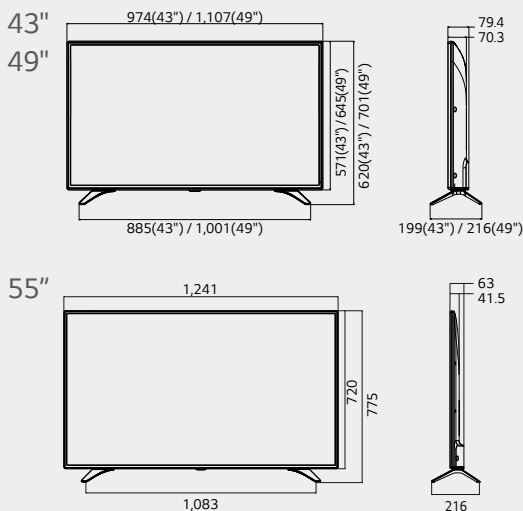


Specifications

LW540S (ASIA/MEA)

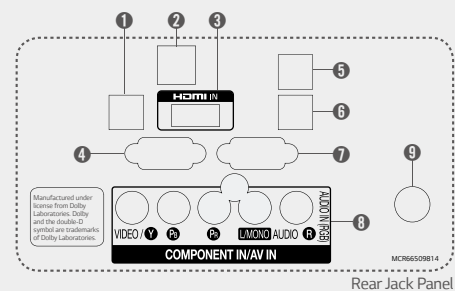
		43	49	55
DISPLAY	Type	Direct LED		Edge LED
	Resolution	1,920 x 1,080 (FHD)		
	Brightness	300cd/m ²		
	Dynamic Contrast Ratio	1,000,000:1		
	Static Contrast Ratio	1,200:1		
	Viewing Angle Degree	178° / 178°		
	Response Time (G to G)	9		
BROADCASTING SYSTEM	Analog	PAL/SECAM		
	Digital	DVB-T2/C (Varied by Countries) *Philippines : 6MHz available		
VIDEO	Triple XD Engine	.		
	Real Cinema 24p (3:3 pull down)	.		
	Aspect Ratio	8 modes (16:9, Just Scan, Original, Full Wide, 4:3, 14:9, Zoom, Cinema Zoom 1)		
AUDIO	Audio Output / Speaker System	10W + 10W / 2.0 ch		
	Sound Mode	6 modes (Standard, News, Music, Cinema, Soccer, Game) *India only : 6 modes (Standard, News, Bollywood, Cinema, Cricket, Game)		
	Clear Voice	.		
	GENERAL FEATURES	Management	Diagnostics (USB)	
	Interactivity	HTNG / HDMI-CEC		
	Connectivity	MHL		
	RJP Interface	RS-232C, HDMI		
	RJP Compatibility	Teleadapt (RS-232C), Teleadapt / Guestlink (HDMI CEC)		
	Advanced Setting Option	Auto Off / Auto Sleep, Motion Eye Care, Energy Saving		
	Anti-theft System	Kensington Lock		
COMMERCIAL FEATURES	Hotel Mode, Lock Mode, IR Out, External Speaker Out, USB Auto Play Back, USB Cloning, One Channel Map, Multi IR Code, Welcome Screen/Video, Time Scheduler, SNMP, RTC, NTP, WiFi Dongle Ready			
INTERFACE	Side	HDMI In, USB 2.0 (2), CI Slot		
	Rear	RF In, Component In, Digital Audio Out (Optical), RGB In, PC Audio Input (Sharing with Component In), RS-232C, HDMI In, LAN Port, Headphone Out, External Speaker Out		
CABINET	Bezel Width (L/R, U, B) : on bezel based (mm)	12.1, 12.1, 15.1		12.9, 12.9, 15.9
	Bezel Width (L/R, U, B) : off bezel based (mm)	9.8, 9.8, 12.8		10.4, 10.4, 13.4
	Vesa (mm)	200 x 200		300 x 300
	WxHxD / weight (w/o stand)	974 x 571 x 70.3 (SPK 79.4) / 9.2kg	1,107 x 645 x 70.3 (SPK 79.4) / 12kg	1,241 x 720 x 41.5 (SPK 63.0) / 16.3kg
	WxHxD / weight (with stand)	974 x 620 x 199 / 9.5kg	1,107 x 702 x 216 / 12.1kg	1,241 x 775 x 216 / 16.6kg
	WxHxD / weight (carton)	1,060 x 660 x 152 / 11.7kg	1,197 x 775 x 162 / 16.1kg	1,360 x 835 x 152 / 21.3kg
POWER (Unit : Watts)	Voltage, HZ	100 ~ 240V, 50/60Hz		
	Max	88.4	97.0	122.3
	Typical (Watts)	64.8	73.5	98.8
	Energy Saving (Min)	55.4	59.0	73.7
	Energy Saving (Med)	42.7	47.8	58.7
	Energy Saving (Max)	31.4	35.1	45.6
STANDARD APPROVAL	Stand-by (Watts)	0.22	0.20	0.20
	Safety	Varied by Countries		
	EMC	Varied by Countries		
	ETC	Varied by Countries		
SOFTWARE COMPATIBILITY	SuperSign Lite (Free), SuperSign C (Free), SuperSign Simple Editor (Free), SuperSign W			

Dimensions



Connectivity

- ① OPTICAL DIGITAL AUDIO OUT
- ② LAN
- ③ HDMI IN 1
- ④ RGB IN (PC)
- ⑤ H/P OUT
- ⑥ SPEAKER OUT
- ⑦ RS-232C IN
- ⑧ AV IN
- ⑨ ANTENNA / CABLE IN



Download LG Commercial Display Mobile App



Learn more www.lg.com/b2b or www.lgecommercial.com

YouTube youtube.com/c/LGCommercialDisplay

All screen images are simulated. Dimension and weights are approximate. Design, features and specifications subject to change without notice. © Copyright 2016 LG Electronics Inc. All Rights Reserved. Pro:Centric, the "LG" logo, XD Engine are registered trademarks or trademarks of LG Electronics Inc. All other trademarks or registered trademarks are the property of their respective owners.

