

## Specifications

LW541H (EU)

		32	43	49	
DISPLAY	Type	Slim Direct			
	Resolution	1,920 x 1,080 (FHD)			
	Contrast Ratio	1,000,000:1			
	Viewing Angle Degree	178° / 178°			
BROADCASTING SYSTEM	Analog	PAL/SECAM			
	Digital	DVB-T2/C/S2			
VIDEO	Triple XD Engine	•			
	Real Cinema 24p (3:3 Pull down)	•			
	Aspect Ratio	• 8 modes (16:9, Just scan, Original, Full Wide, 4:3, 14:9, Cinema Zoom 1, Zoom)			
AUDIO	Audio Output / Speaker System	10W + 10W / 2.0 ch			
	Sound Mode	6 modes (Standard, News, Music, Cinema, Sport, Game)			
	Clear Voice	•			
GENERAL FEATURES	Pro:Centric®	Pro:Centric V			
		PCA 3.7 or below			
		1 Tuner			
		GEM / Flash			
	Management	Self Diagnosis / EZ-Manager (for Initial Configuration)			
	Interactivity	HTNG / HDMI-CEC			
	Connectivity	MHL			
	RJP Compatibility	LG / Teleadapt (RS232C), Teleadapt / Guestlink (HDMI CEC)			
	Advanced Setting Option	Auto Off / Auto Sleep, Smart Energy Saving, Motion Eye Care			
	Anti-theft System	Kensington Lock, Credenza / Security Screw Hole, Lock Down Plate, Commercial Swivel Stand			
COMMERCIAL FEATURES	Welcome Screen/Video, One Channel Map, Hotel Mode, Lock Mode, IR Out, Multi IR Code, Instant On, TV Link Interactive, External Speaker Out, External Power, SNMP, External Clock Ready				
INTERFACE	Side	HDMI In (2), USB 2.0, CI Slot			
	Rear	RF In (2), Component In (Video, RCA5), Component In (Audio), Optical Audio Out, HDMI / HDCP Input, RS-232C, Headphone Out, Clock Interface, LAN Port, External Speaker Out (2)			
CABINET (Unit : mm)	Bezel Width (L/R, U, B) : on bezel based	14.1, 13.6, 19.1	12.1, 12.1, 15.1		
	Bezel Width (L/R, U, B) : off bezel based	11.6, 11.1, 16.6	9.8, 9.8, 12.8		
	Vesa	200 X 200		300 X 300	
	WxHxD / weight (w/o stand)	733 x 436 x 72.2 (SPK 76.3) / 5.32kg	974 x 571 x 70.3 (SPK 79.4) / 9.2kg	1,107 x 645 x 70.3 (SPK 79.4) / 12kg	
	WxHxD / weight (with stand)	733 x 490 x 282 / 8.17kg	974 x 619 x 325 / 12.6kg	1,107 x 695 x 325 / 15.4kg	
	WxHxD / weight (Carton)	812 x 520 x 190 / TBD	TBD / TBD	1,300 x 775 x 175 / 19.8kg	
POWER	Voltage, HZ	100~240V, 50 / 60 Hz			
	Max (Watts)	74	87	96	
	Typical (Watts)	27.5	40	38	
	Stand-by (Watts)	0.3			
	Energy Saving (Min)	41	50	56	
	Energy Saving (Med)	28	35	39	
	Energy Saving (Max)	16	19	21	
	Safety	CB			
Environment	CE				
Etc.	ROHS, ErP, Eco flower (EU only)				
STANDARD APPROVAL	ErP Class	A+			
		On Power Consumption (W)	30 / 40 / 48		
	Eco	Luminance	65%		
		Mercury	0		
		Presence of Lead	Yes		
		Average Annual Consumption(kwh)	44 / 58 / 70		

# Pro:Centric® V

LW541H (EU)

## Comprehensive Hospitality Solution with Pro:Centric®

Now, you can manage your hotel more easily and efficiently with Pro:Centric® series TV models, helping your guests to have a more comfortable and convenient experience in their hotel room. You can also configure and/or update all guest room TVs via a centralized management system, thereby saving cost and workforce.



### LW541H

- Pro:Centric® Application
- Embedded Customizable Templates
- Multiple Channel Spooling
- EZ-Manager
- Swivel Stand

\*Full features are available when the model is connected to the Pro:Centric® server.

### screen size

32", 43", 49"

### Key Features



#### Enhanced Guest Experience

Pro:Centric enables to differentiate guest room experiences with customizable billboards and Electronic Program Guide(EPG) which easily navigates TV channels and program.

#### Features

- Advanced wake-up time setting
- Weather
- EPG
- Map
- Hotel Information
- PMS Interfaced Service



#### Easy Content Management

Pro:Centric enables centralized and intuitive in-room TV control from the TV settings to content creation and updates.

#### Features

- Embedded Customizable Templates (Added one more template in 2016)
- Up to 8 Hotel Channel Spooling



#### Optimized Total Cost of Ownership

Optimize TCO with Pro:Centric® by saving workforce and time for development & management cost for hospitality solutions.

#### Features

- EZ-Manager 2.1 for more efficient initial configuration
- Remote Management via RF & IP

### Hospitality Features



#### Commercial Swivel Stand

Expand the range of comfort for the guests with a commercial grade stand by allowing them to watch a TV from any angle.



#### Welcome Screen/Video

With the capability to display various video formats\* as well as images, Commercial Lite TVs allow for a greater variation of greeting messages in hotel rooms which make customers feel more welcome and cared for.  
\* mp4, avi, mov, tp, wma, ts etc.



#### Self Diagnosis

Enable service engineers to recognize technical issues of a TV quickly and easily through a USB. The TV stores any technical issues encountered and can output them to a USB device.



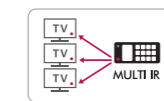
#### External Speaker Out

Enhance the entertainment experience by adding an additional speaker. Guests listen to and control the TV audio from anywhere in the business areas, including restrooms.



#### One Channel Map

One Channel Map feature allows users to edit and list the channels of their choice from any of the multiple broadcasting signals.



#### Multi IR

Multi IR function eliminate the remote control signal interference between TVs in multiple dwelling beds.

# Comprehensive Hospitality Solution with Pro:Centric®

Pro:Centric® V LW541H

Pro:Centric® V

EU



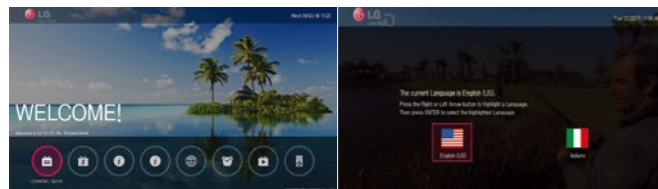
The Pro:Centric® Application enabled with the Pro:Centric® server provides customizable templates. With those templates, hoteliers can add the hotel branded portal pages and channels. It is also ready for guest-centric services, such as a Welcome Page with the guest's name, Auto Language Setting and Billing Information with the customizable billboard and map pages, etc.

## Pro:Centric® Features

### Enhanced Customer Experience

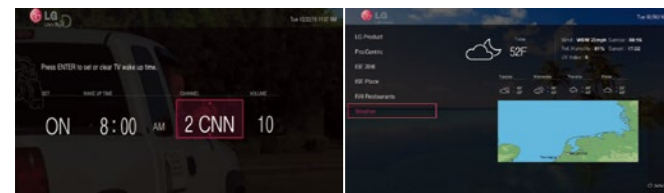


Personalize the page with the Pro : Centric® applications(PCA) which improves guests' in-room experience by providing a variety of additional features conveniently just for them.



Welcome Page

Language selection



Wake-up Setting

Weather Information

#### • Personalized Pages

When linked with the Property Management System, it provides a Welcome Page with the guest name, Auto Language Setting and Billing information with the guest's name. (From 2016, Arabic, Hebrew, Persian language are also available)

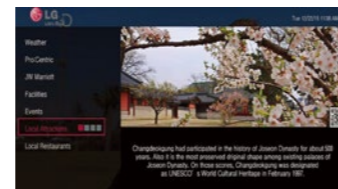
#### • Various Additional Features

PCA serves the convenience of the guest through a Wake-up setting, Weather Information, Map Service, and much more functions that you can choose.

### Easy Content Creation & Management

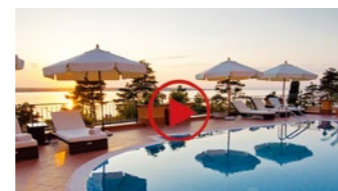


You can now differentiate your hotel with our customizable templates and pages which can be specialized for your property. Pro:Centric® provides you a solution that is easily customizable for your business.



#### • Customizable Template & Page

Choose an alternative look & feel template based on your preference, and edit multiple sections with 40 pages of billboards by yourself with the web based tool. (Max 15pages / section Available)



#### • Multi Channel Pooling

Operation of up to 8 hotel channels (22 sub-channels) can offer various information and added services.

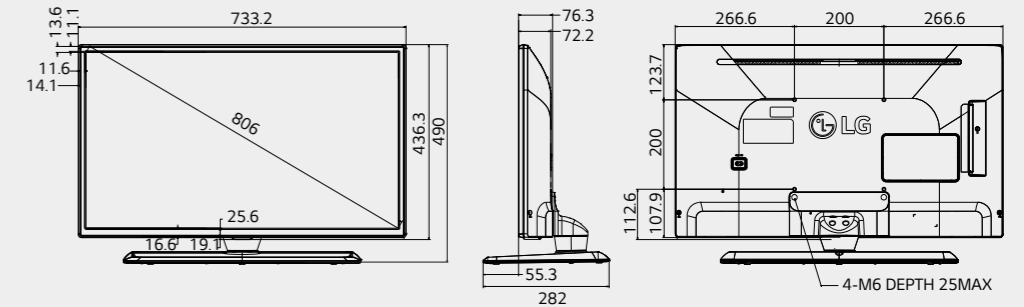
### Dimensions (mm, with stand)

32"

733.2 x 490 x 282

8.2kg

\*Swivel

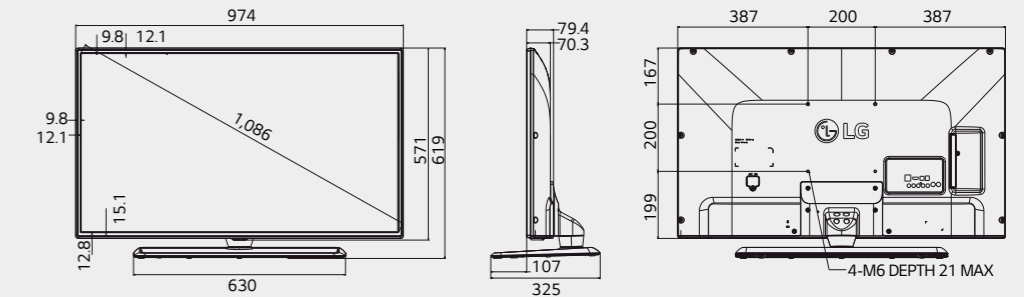


43"

974 x 619 x 325

12.6kg

\*Swivel

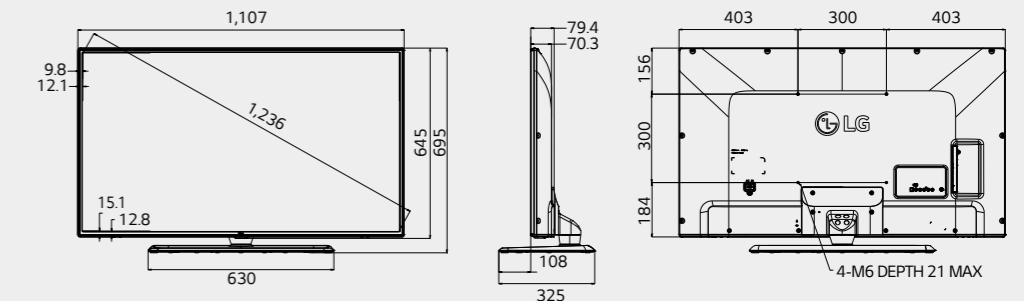


49"

1,107 x 695 x 325

15.4kg

\*Swivel



### Connectivity

- 1 H/P OUT
- 2 OPTICAL DIGITAL AUDIO OUT
- 3 LAN
- 4 HDMI IN 1
- 5 VOLUME CONTROL
- 6 STEREO
- 7 CLOCK
- 8 RS-232C IN
- 9 COMPONENT IN / AV IN
- 10 LNB Satellite IN
- 11 ANTENNA/CABLE IN
- 12 HDMI IN 2
- 13 HDMI IN 3
- 14 USB IN

