

## Essential Commercial TV with Multiple Use

LG Commercial Lite TVs are designed specifically for hospitality and business environments. With the use of simple user-friendly interfaces and superb images and video, the LW340C facilitates communications between businesses and their target audiences.



### LW340C

- Welcome Screen/Video
- USB Cloning
- External Speaker Out
- USB Auto Playback +
- Time scheduler

#### screen size

32", 43", 49", 55"

### Key Features



#### USB Cloning

Clone all commercial TVs with astonishing speed and ease. The USB Cloning feature allows you to simply copy the TV settings to all TVs using a USB memory device.



#### External Speaker Out

Enhance the entertainment experience by adding an additional speaker. Guests listen to and control the TV audio from anywhere in the business areas, including restrooms.



#### USB Auto Playback+

Create and sequentially play playlists composed of informative media(video, music and image) you choose without PC and any installation.



#### Time Scheduler

Create your own time scheduler of your Commercial TV. Once you set opening/closing hours and holidays, the TV will turn on/off according to work schedule.

### Simple & Effective Maintenance



#### Hotel Mode

From channel selection to volume setting, you can control the TV settings in all the rooms with Hotel Mode. Prevent misuse by customers, set volume limits, or reset settings to default for any TV. You are in control of it all.



#### Lock Mode

The Lock Mode blocks external input signals with non-compliant content. A useful feature for preventing misuse of TVs in various facilities or public spaces.



#### Remote Diagnostics (USB)

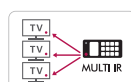
Enables service engineers to recognize technical issues in a TV quickly and easily through a USB. The TV stores any technical issues encountered and can output them to a USB device. Service engineers use this information to analyze technical issues without the actual TV.

### Entertainment & Convenience



#### Welcome Screen/Video

With the capability to display repeatedly various video formats as well as images, Commercial Lite TVs allow for a greater variation of greeting messages in hotel rooms which make customers feel more welcome and cared for.



#### Multi IR

Multi IR function eliminates the remote control signal interference between TVs in multiple dwelling beds. This system will work using the same LG TV model.



#### IR OUT

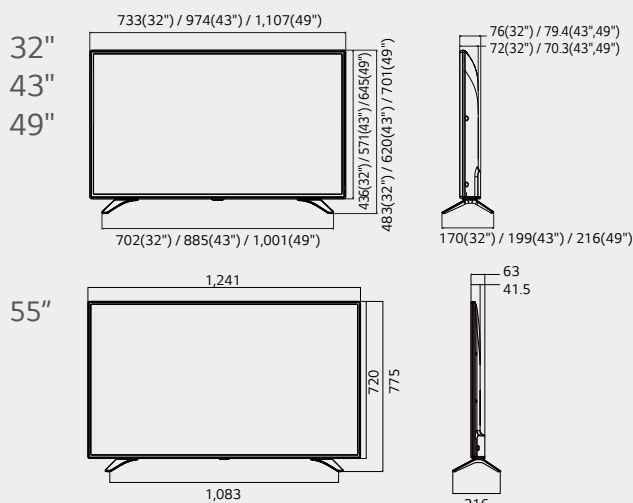
Just connect your interactive set-top-box to LG Commercial TV. With a single remote control, the LG TVs in your hotel solution fall under your control.

# Specifications

LW340C (ASIA/MEA)

		32	43	49	55	
DISPLAY	Type	Direct LED			Edge LED	
	Resolution	1,920 x 1,080 (FHD)				
	Brightness	300cd/m <sup>2</sup>				
BROADCASTING SYSTEM	Analog	PAL / SECAM				
	Digital	DVB-T2/C/S2				
VIDEO	Triple XD Engine	•				
	Real Cinema 24p (3:3 Pull down)	•				
	Aspect Ratio	6 modes (16:9, Original, 4:3, Vertical Zoom, All-Direction Zoom, Just Scan)				
AUDIO	Audio Output / Speaker System	10W + 10W / 2.0 ch				
	Sound Mode	• 6 modes (Standard, News, Music, Cinema, Sport, Game) * India Only : 6 modes (Standard, Cinema, Clear Voice, Sports, Music, Game)				
	Clear Voice	•				
GENERAL FEATURES	Management	Remote Diagnostics (USB)				
	Interactivity	HTNG / HDMI-CEC				
	RJP Interface	RS-232C, HDMI-CEC				
	Advanced Settings	Auto Off / Auto Sleep, Motion Eye Care, Smart Energy Saving				
	Anti-theft System	Kensington Lock				
COMMERCIAL FEATURES	Welcome Screen/Video, Lock Mode, Hotel Mode, Multi-IR Code, USB Cloning, One Channel Map, External Speaker Out, USB Auto Playback+, Time Scheduler					
INTERFACE	Side	Headphone Out, HDMI In, USB 2.0, CI Slot				
	Rear	RF In (2), AV In, Component In (Audio, RCA5), Optical Audio Out, HDMI/HDCP Input, RGB In, RS 232C, External Speaker Out				
CABINET (Unit : mm)	Vesa	200 x 200		300 x 300		
	Bezel Width (L/R,U,B) : On bezel based	14.1, 13.6, 19.1	12.1, 12.1, 15.1		12.9, 12.9, 15.9	
	Bezel Width (L/R,U,B) : Off bezel base	11.6, 11.1, 16.6	9.8, 9.8, 12.8		10.4, 10.4, 13.4	
	W x H x D / weight (w/o stand)	733 x 436 x 72.2 (SPK 76.3) / 4.94kg	974 x 571 x 70.3 (SPK 79.4) / 9.2kg	1,107 x 645 x 70.3 (SPK 79.4) / 12kg	1,241 x 720 x 41.5 (SPK 63.0) / 16.3kg	
	W x H x D / weight (with stand)	733 x 483 x 170 / 5.08kg	974 x 620 x 199 / 9.45kg	1,107 x 702 x 216 / 12.1kg	1,241 x 775 x 216 / 16.6kg	
POWER (Unit: Watts)	Voltage, Hz	100-240V, 50 / 60 Hz				
	Max	59	80.5	89.7	114	
	Typical	34.2	56.8	66.2	90	
	Energy saving (Min)	24	41	46	60	
	Energy saving (Med)	19	32	35	42	
	Energy saving (Max)	14	21	22	21	
	Stand-by	0.23	0.22	0.21	0.2	
STANDARD APPROVAL	Safety	CB				
	Environment	CE				
	Etc.	ErP : A+ (32", 55"), A++ (43", 49")				

## Dimensions (Unit : mm)



## Connectivity

- ① HDMI IN 1
- ② OPTICAL DIGITAL AUDIO OUT
- ③ RS-232C IN
- ④ RGB IN(PC)
- ⑤ COMPONENT IN / AV IN
- ⑥ EXTERNAL SPEAKER OUT
- ⑦ LNB Satellite IN
- ⑧ ANTENNA / CABLE IN
- ⑨ H/P OUT
- ⑩ HDMI IN 2
- ⑪ USB IN

