

SPECIFICATIONS

	55LS73B	49LS73B	42LS73B		
PANEL	Screen Size	54.64 inches (1,387.80mm) diagonal	48.50 inches (1,232.00mm) diagonal	41.92 inches (1,064.67mm) diagonal	
	Panel Technology	IPS			
	Aspect Ratio	16 : 9			
	Native Resolution	1,920 x 1,080 (FHD)			
	Pixels(H x V x 3)	6,220,800			
	Brightness	500cd/m ²			
	Contrast Ratio	1,300 : 1			
	Dynamic CR	500,000 : 1			
	Color Gamut	72%			
	Viewing Angle (H x V)	178 x 178			
	Color Depth	1.07 Billion			
	Response Time	8ms (G to G BW) typ.			
	Surface Treatment	Hard Coating (3H), Anti-Glare Treatment of the Front Polarizer (Haze 10%)			
	Life Time	50,000 Hrs min.			
	Orientation	Portrait & Landscape			
VIDEO (PC)	Max Input Resolution	1,920 x 1,080@60Hz (HDMI, DVI-D, Display Port, OPS)			
	Recommended Resolution	1,920 x 1,080@60Hz (HDMI, DVI-D, Display Port, OPS)			
	H-Scanning Frequency	30 ~ 83kHz (HDMI, DVI-D, Display Port, OPS)			
	V-Scanning Frequency	60Hz (HDMI, DVI-D, Display Port, OPS)			
	Pixel Frequency	148.5MHz (HDMI, DVI-D, Display Port)			
	Sync Compatability	Digital			
	Video Input	HDMI1, HDMI2/OPS, DVI-D, Display Port			
	Picture Mode	Vivid, Standard, APS, Cinema, Sports, Game, Expert1/2			
	Color Temperatur	Warm, Medium, Cool			
	CONNECTIVITY	Input	Digital	HDMI	O (2), OPS
			DP	O (1)	
			DVI-D	O (1)	
Analog				X	
Audio				O (1)	
External Control		RS232C		O (1)	
		RJ45		O (1)	
		IR / Light Sensor		O (1)	
		Pixel Sensor		O (1)	
USB				O (1)	
HDTV Formats				HDMI : 720p, 1,080i, 1,080p	
Output		Digital	DP	O (1)	
External Spreker Out				O (1, L / R)	
External Control		RS232C		O (1)	
PHYSICAL SPECIFICATION		Bezel Color	Black	Black	Black
	Bezel Width	7.4mm (T/L/R/U even)	7.4mm (T/L/R/U even)	7.4mm (T/L/R/U even)	
	Monitor Dimension (W x H x D)	1,230 x 701 x 32 (mm)	1,095 x 625 x 32 (mm)	949 x 543 x 32 (mm)	
	Weight (Head)	20.7kg	15.6kg	12.5kg	
	Monitor with Optional Stand Dimensions (W x H x D)	1,230 x 776 x 298 (mm)	1,095 x 700 x 298 (mm)	949 x 618 x 298 (mm)	
	Weight (Head+Stand)	22.1kg	17.0kg	13.9kg	
	Monitor with Optional Stand & Speaker Dimensions (W x H x D)	1,230 x 776 x 298 (mm)	1,095 x 700 x 298 (mm)	949 x 618 x 298 (mm)	
	Weight (Head+Stand+Speaker)	22.9kg	17.8kg	14.7kg	
	Carton Dimensions (W x H x D)	1,330 x 810 x 174 (mm)	1,197 x 743 x 134 (mm)	1,045 x 645 x 127 (mm)	
	Packed Weight	25.2kg	18.7kg	14.8kg	
	Handle	No	No	No	
	VESA™ Standard Mount Interface	400 x 400	400 x 400	400 x 400	
	SPECIAL FEATURES	Temperature Sensor	Yes		
		Auto Brightness Sensor	Yes		
		Cooling FAN	No		
Tile Mode		Yes (Up to 15 x 15)			
Natural Mode @Tile Mode		Yes			
Source Selection		DVI-D, HDMI, Display Port, USB, OPS			
Brightness / Contrast / Backlight		Yes			
Position / Size		No			
Auto Config / Phase		No			
Language (OSD)		English, French, German, Spanish, Italian, Korean, Chinese (Simplified), Chinese(Original), Portugues(Brazil), Swedish, Finnish, Norwegian, Danish, Japanese, Russian, Portugues(Europe), Dutch, Czech, Greek			
Language (USB Playback)		English, French, German, Spanish, Italian, Korean, Chinese(Simplified), Chinese(Original), Portugues(Brazil), Swedish, Finnish, Norwegian, Danish, Japanese, Russian, Portugues(Europe), Dutch, Czech, Greek			
Language (Manual)		English, French, Italian, German, Spanish, Portugues, Hungarian, Greek, Russian, Dutch, Kazakh, Ukrainian, Polish, Arabic, Indonesian, Korean, Japanese, Turkish, Czech, Taiwanese, Slovak			
Language (ESG)		English, French, Italian, German, Spanish, Portugues, Greek, Polish, Czech, Slovak			
ISM Method		No			
Advanced		Dynamic Contrast, Dynamic Color, Clear White, Skin Color, Noise Reduction, Digital, Noise Reduction, Gamma, Black Level			
Time	Clock, On/Off Time, Power on Delay, Auto Off, Automatic Standby				
Information	Model / Type, Software Version, Serial Number, IP Address, Homepage				
Input Label	Yes (PC / DTV)				
Auto Power / Source Memory	Yes				
Key Lock	Yes				
DPM Select	Yes				
Energy Saving	Yes (Minimum, Medium, Maxium)				
Smart Energy Saving	Yes				
Power Indicator On/Off	No				
Logo Light On/Off	No				
File Play with USB	Yes				
PIP / PBP	No				
Internal Memory	16GB (System 4GB + Available 12GB)				
Wi-Fi	Dongle Ready				
ENVIRONMENT CONDITIONS	4K Up Scaling	No			
	Operation Temperature	0 °C to 40 °C			
	Operation Humidity	10 % to 80 %			
POWER	Power Supply	100-240V~, 50/60Hz	100-240V~, 50/60Hz	100-240V~, 50/60Hz	
	Power Type	Built-In Power	Built-In Power	Built-In Power	
	Power Switch	No	No	No	
	Power Consumption				
	Typ.	140W	125W	110W	
	Smart Energy Saving	100W	90W	80W	
DPM	0.7W (DP)	0.7W (DP)	0.7W (DP)		
Power off	0.5W	0.5W	0.5W		
AUDIO	Auto Volume	No			
	Balance	Yes			
	Audio Power	20W (10W x 2) for External Speaker			
	Speaker On/Off	Yes			
	Clear Voice II	Yes			
STANDARD (CERTIFICATION)	Safety	Standard, News, Music, Cinema, Sports, Game			
	EMC	UL / cUL / CB / TUV / KC			
	ErP / Energy Star	FCC Class "A" / CE / KCC			
MEDIA PLAYER COMPATIBILITY	Slot PC Compatible (Optional)	NA / Yes (Energy Star 6.0)			
	External Media player Attachable	Yes (MP500 / MP700), KT-OPSA			
SOFTWARE COMPATIBILITY	SuperSign-w lite	Yes			
	SuperSign-c	Yes			
ACCESSORY	Accessory	Remote Controller (Include Battery 2EA), Power Cord, IR / Light Sensor Receiver, CD (Owner's Manual), HDMI Cable			
	Optional Accessory	SP-2100 (External Speaker), ST-200T, LSW440S, AN-WF500 (WiFi USB Dongle), KTOPSA (OPS Kits), KT-SPO (Pixel Sensor)			

webOS for Signage 42"/49"/55" FULL HD DISPLAY LS73B

42LS73B | 42" CLASS (1,064.77mm) diagonal

49LS73B | 49" CLASS (1,232.00mm) diagonal

55LS73B | 55" CLASS (1,387.80mm) diagonal



FEATURES

- Brightness : 500nit
- Portrait & Landscape Mode
- Uniform Bezel Width & Thin Cabinet : 7.4mm bezel and 32mm depth
- Smart Energy Saving
- 24/7 Operation
- OPS Compliant
- Self-Diagnosis
- Wi-Fi Dongle



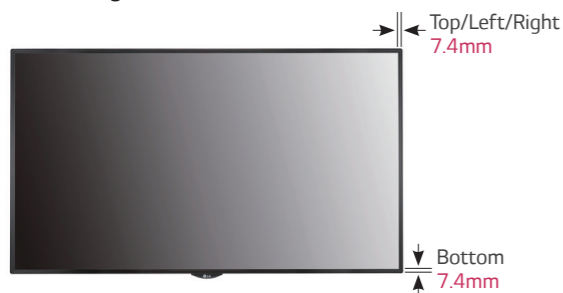
* Cabinet design is subject to change.



SLIM, SLEEK AND STYLISH DESIGN

The stylishly slim monitors designed to fit perfectly into your shop are easily placed in tight spaces. They can provide clean and friendly environment for end-users from the time they are installed.

Slim Design

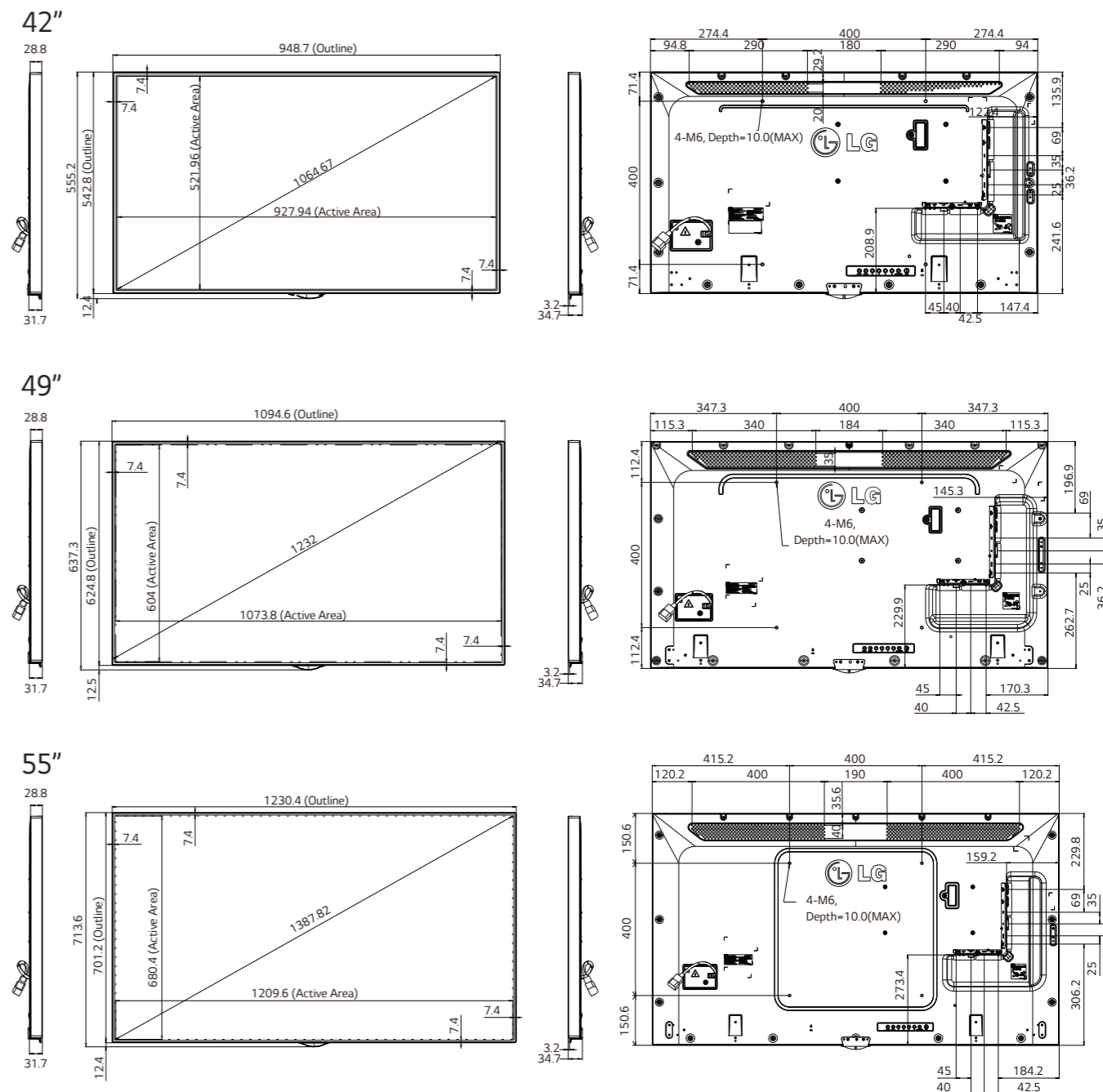


Strength Of The Technology

LG's monitors are fit into tight spaces



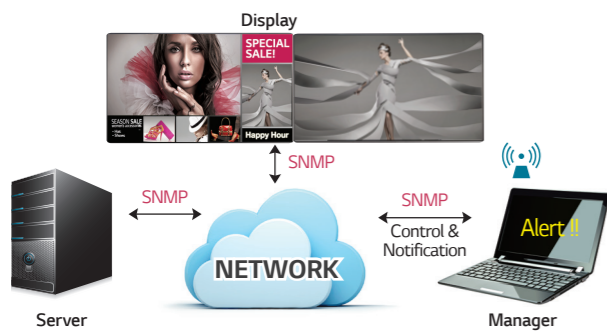
DIMENSION (unit : mm)



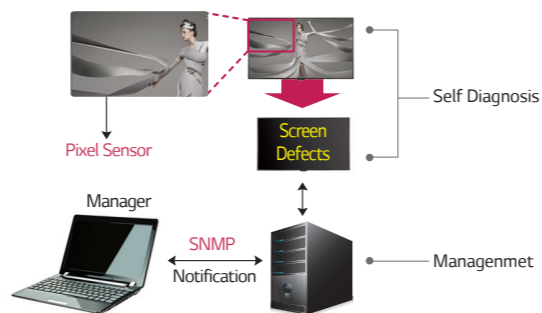
ADVANCED SELF-DIAGNOSIS

Our advanced self-diagnosis function allows to check the screen status with a pixel sensor provided optionally and supports the SNMP standards for compatibility with 3rd party solutions.

Support SNMP



Screen Fault Detection (option)



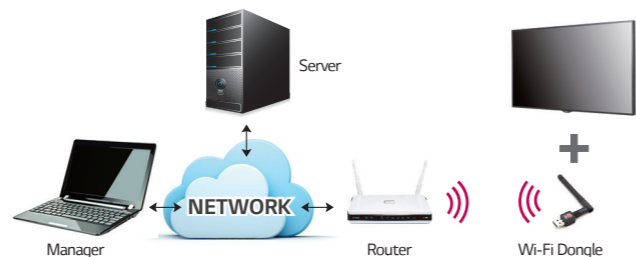
OPS COMPATIBILITY

Compatible with the Open Pluggable Specification (OPS), users have the flexibility to choose their appropriate media player.



SUPPORT WI-FI

A Wi-Fi Dongle can be connected to the LS73B for easy installation and simple management



INTERFACE



SPECIFICATIONS

	55LS73B	49LS73B	42LS73B		
PANEL	Screen Size	54.64 inches (1,387.80mm) diagonal	48.50 inches (1,232.00mm) diagonal	41.92 inches (1,064.67mm) diagonal	
	Panel Technology	IPS			
	Aspect Ratio	16 : 9			
	Native Resolution	1,920 x 1,080 (FHD)			
	Pixels(H x V x 3)	6,220,800			
	Brightness	500cd/m ²			
	Contrast Ratio	1,300 : 1			
	Dynamic CR	500,000 : 1			
	Color Gamut	72%			
	Viewing Angle (H x V)	178 x 178			
	Color Depth	1.07 Billion			
	Response Time	8ms (G to G BW) typ.			
	Surface Treatment	Hard Coating (3H), Anti-Glare Treatment of the Front Polarizer (Haze 10%)			
	Life Time	50,000 Hrs min.			
	Orientation	Portrait & Landscape			
VIDEO (PC)	Max Input Resolution	1,920 x 1,080@60Hz (HDMI, DVI-D, Display Port, OPS)			
	Recommended Resolution	1,920 x 1,080@60Hz (HDMI, DVI-D, Display Port, OPS)			
	H-Scanning Frequency	30 ~ 83kHz (HDMI, DVI-D, Display Port, OPS)			
	V-Scanning Frequency	60Hz (HDMI, DVI-D, Display Port, OPS)			
	Pixel Frequency	148.5MHz (HDMI, DVI-D, Display Port)			
	Sync Compatability	Digital			
	Video Input	HDMI1, HDMI2/OPS, DVI-D, Display Port			
	Picture Mode	Vivid, Standard, APS, Cinema, Sports, Game, Expert1/2			
	Color Temperatur	Warm, Medium, Cool			
	CONNECTIVITY	Input	Digital	HDMI	O (2), OPS
			DP	O (1)	
			DVI-D	O (1)	
Analog		X			
Audio		O (1)			
External Control		RS232C	O (1)		
		RJ45	O (1)		
		IR / Light Sensor	O (1)		
		Pixel Sensor	O (1)		
USB		O (1)			
HDTV Formats		HDMI : 720p, 1,080i, 1,080p			
Output		Digital	DP	O (1)	
External Spreker Out		O (1, L / R)			
External Control		RS232C	O (1)		
PHYSICAL SPECIFICATION		Bezel Color	Black	Black	Black
	Bezel Width	7.4mm (T/L/R/U even)	7.4mm (T/L/R/U even)	7.4mm (T/L/R/U even)	
	Monitor Dimension (W x H x D)	1,230 x 701 x 32 (mm)	1,095 x 625 x 32 (mm)	949 x 543 x 32 (mm)	
	Weight (Head)	20.7kg	15.6kg	12.5kg	
	Monitor with Optional Stand Dimensions (W x H x D)	1,230 x 776 x 298 (mm)	1,095 x 700 x 298 (mm)	949 x 618 x 298 (mm)	
	Weight (Head+Stand)	22.1kg	17.0kg	13.9kg	
	Monitor with Optional Stand & Speaker Dimensions (W x H x D)	1,230 x 776 x 298 (mm)	1,095 x 700 x 298 (mm)	949 x 618 x 298 (mm)	
	Weight (Head+Stand+Speaker)	22.9kg	17.8kg	14.7kg	
	Carton Dimensions (W x H x D)	1,330 x 810 x 174 (mm)	1,197 x 743 x 134 (mm)	1,045 x 645 x 127 (mm)	
	Packed Weight	25.2kg	18.7kg	14.8kg	
	Handle	No	No	No	
	VESA™ Standard Mount Interface	400 x 400	400 x 400	400 x 400	
	SPECIAL FEATURES	Temperature Sensor	Yes		
		Auto Brightness Sensor	Yes		
		Cooling FAN	No		
Tile Mode		Yes (Up to 15 x 15)			
Natural Mode @Tile Mode		Yes			
Source Selection		DVI-D, HDMI, Display Port, USB, OPS			
Brightness / Contrast / Backlight		Yes			
Position / Size		No			
Auto Config / Phase		No			
Language (OSD)		English, French, German, Spanish, Italian, Korean, Chinese (Simplified), Chinese(Original), Portugues(Brazil), Swedish, Finnish, Norwegian, Danish, Japanese, Russian, Portugues(Europe), Dutch, Czech, Greek			
Language (USB Playback)		English, French, German, Spanish, Italian, Korean, Chinese(Simplified), Chinese(Original), Portugues(Brazil), Swedish, Finnish, Norwegian, Danish, Japanese, Russian, Portugues(Europe), Dutch, Czech, Greek			
Language (Manual)		English, French, Italian, German, Spanish, Portugues, Hungarian, Greek, Russian, Dutch, Kazakh, Ukrainian, Polish, Arabic, Indonesian, Korean, Japanese, Turkish, Czech, Taiwanese, Slovak			
Language (ESG)		English, French, Italian, German, Spanish, Portugues, Greek, Polish, Czech, Slovak			
ISM Method		No			
Advanced		Dynamic Contrast, Dynamic Color, Clear White, Skin Color, Noise Reduction, Digital, Noise Reduction, Gamma, Black Level			
Time	Clock, On/Off Time, Power on Delay, Auto Off, Automatic Standby				
Information	Model / Type, Software Version, Serial Number, IP Address, Homepage				
Input Label	Yes (PC / DTV)				
Auto Power / Source Memory	Yes				
Key Lock	Yes				
DPM Select	Yes				
Energy Saving	Yes (Minimum, Medium, Maxium)				
Smart Energy Saving	Yes				
Power Indicator On/Off	No				
Logo Light On/Off	No				
File Play with USB	Yes				
PIP / PBP	No				
Internal Memory	16GB (System 4GB + Available 12GB)				
Wi-Fi	Dongle Ready				
ENVIRONMENT CONDITIONS	4K Up Scaling	No			
	Operation Temperature	0 °C to 40 °C			
	Operation Humidity	10 % to 80 %			
POWER	Power Supply	100-240V~, 50/60Hz	100-240V~, 50/60Hz	100-240V~, 50/60Hz	
	Power Type	Built-In Power	Built-In Power	Built-In Power	
	Power Switch	No	No	No	
	Power Consumption				
	Typ.	140W	125W	110W	
	Smart Energy Saving	100W	90W	80W	
DPM	0.7W (DP)	0.7W (DP)	0.7W (DP)		
Power off	0.5W	0.5W	0.5W		
AUDIO	Auto Volume	No			
	Balance	Yes			
	Audio Power	20W (10W x 2) for External Speaker			
	Speaker On/Off	Yes			
	Clear Voice II	Yes			
STANDARD (CERTIFICATION)	Safety	Standard, News, Music, Cinema, Sports, Game			
	EMC	UL / cUL / CB / TUV / KC			
	ErP / Energy Star	FCC Class "A" / CE / KCC			
MEDIA PLAYER COMPATIBILITY	Slot PC Compatible (Optional)	NA / Yes (Energy Star 6.0)			
	External Media player Attachable	Yes (MP500 / MP700), KT-OPSA			
SOFTWARE COMPATIBILITY	SuperSign-w lite	Yes			
	SuperSign-c	Yes			
ACCESSORY	Accessory	Remote Controller (Include Battery 2EA), Power Cord, IR / Light Sensor Receiver, CD (Owner's Manual), HDMI Cable			
	Optional Accessory	SP-2100 (External Speaker), ST-200T, LSW440S, AN-WF500 (WiFi USB Dongle), KTOPSA (OPS Kits), KT-SPO (Pixel Sensor)			

webOS for Signage 42"/49"/55" FULL HD DISPLAY LS73B

42LS73B | 42" CLASS (1,064.77mm) diagonal

49LS73B | 49" CLASS (1,232.00mm) diagonal

55LS73B | 55" CLASS (1,387.80mm) diagonal



FEATURES

- Brightness : 500nit
- Portrait & Landscape Mode
- Uniform Bezel Width & Thin Cabinet : 7.4mm bezel and 32mm depth
- Smart Energy Saving
- 24/7 Operation
- OPS Compliant
- Self-Diagnosis
- Wi-Fi Dongle

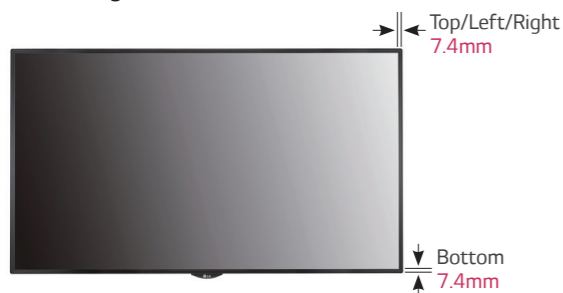


* Cabinet design is subject to change.

SLIM, SLEEK AND STYLISH DESIGN

The stylishly slim monitors designed to fit perfectly into your shop are easily placed in tight spaces. They can provide clean and friendly environment for end-users from the time they are installed.

Slim Design

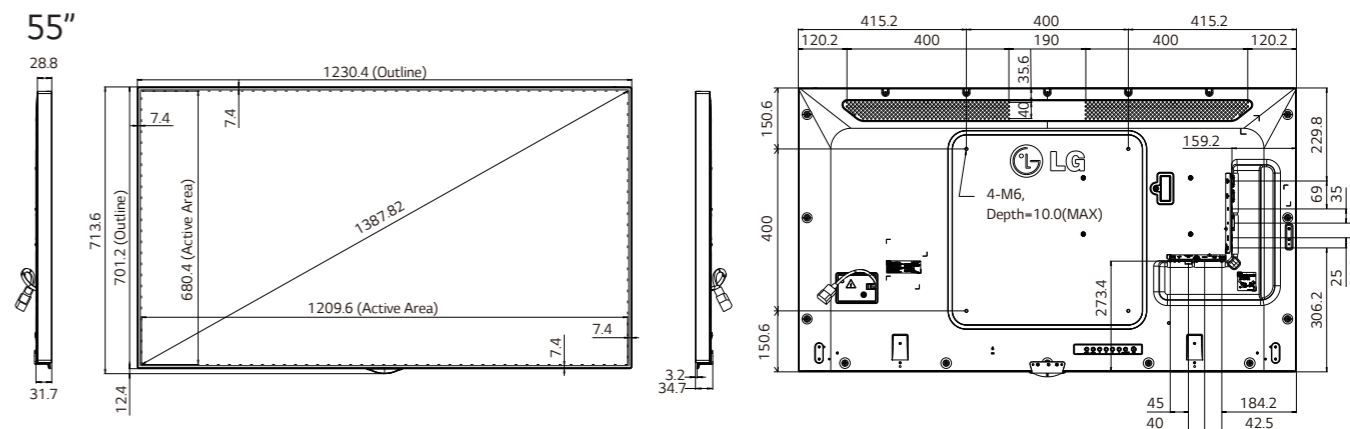
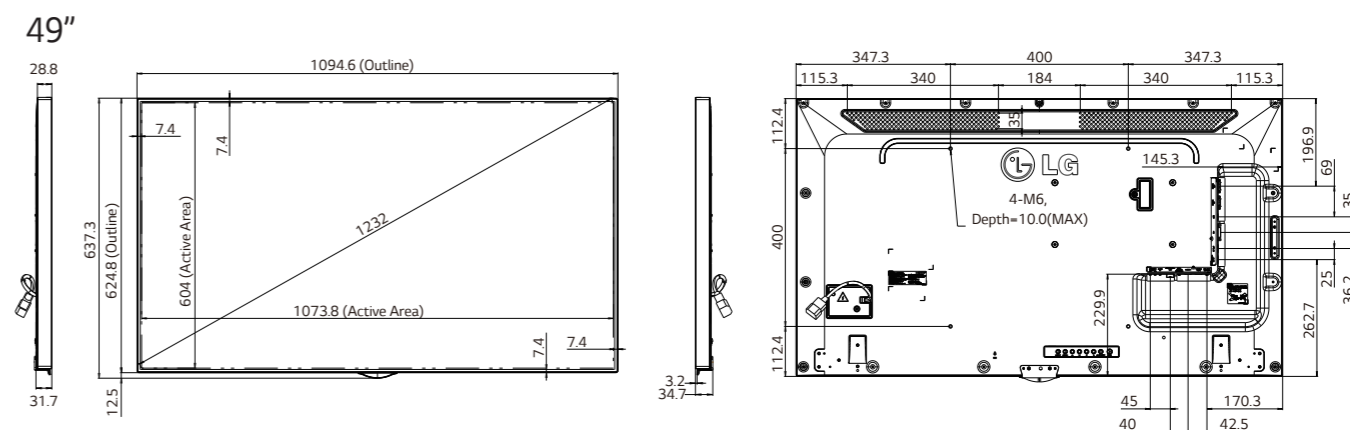
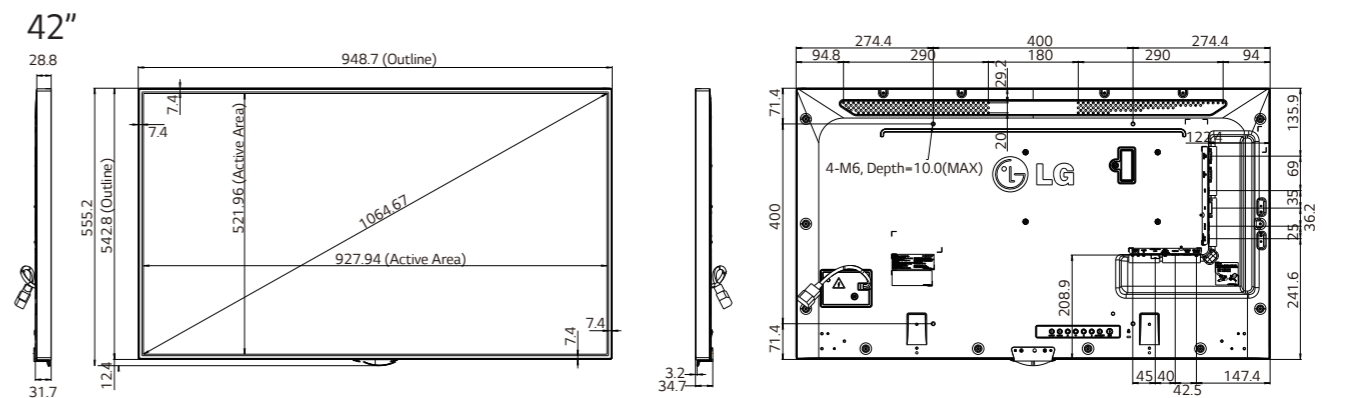


Strength Of The Technology

LG's monitors are fit into tight spaces



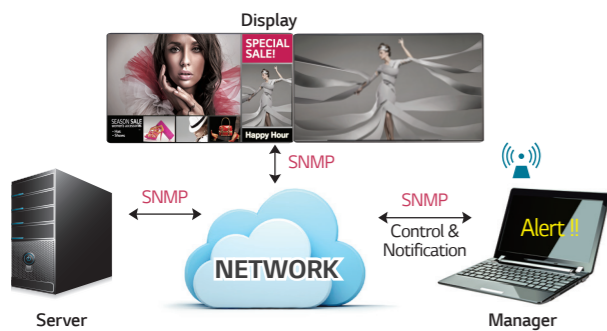
DIMENSION (unit : mm)



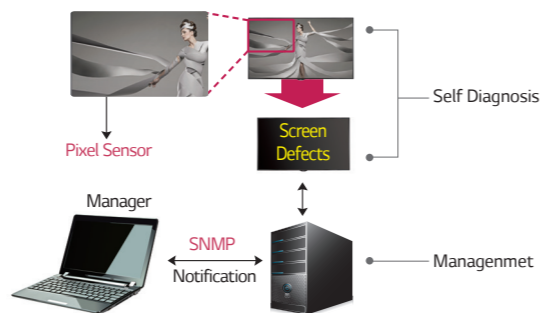
ADVANCED SELF-DIAGNOSIS

Our advanced self-diagnosis function allows to check the screen status with a pixel sensor provided optionally and supports the SNMP standards for compatibility with 3rd party solutions.

Support SNMP



Screen Fault Detection (option)



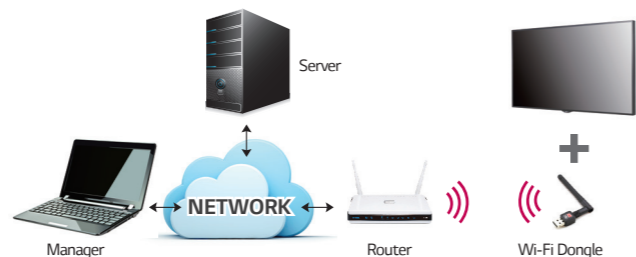
OPS COMPATIBILITY

Compatible with the Open Pluggable Specification (OPS), users have the flexibility to choose their appropriate media player.



SUPPORT WI-FI

A Wi-Fi Dongle can be connected to the LS73B for easy installation and simple management



INTERFACE

