

SKSFD3613S

36-INCH COUNTER-DEPTH FRENCH DOOR REFRIGERATOR

SIGNATURE
KITCHEN SUITE



DOOR-IN-DOOR® WITH COLDSAVER™ PANEL

Save time with storage ingeniously hidden inside the refrigerator door.

CRAFT ICE™

Our exclusive slow-melting round ice maker automatically makes batches of three or six ice balls per day.* Give your beverages unique ice for next level entertaining, from craft cocktails & whiskey to soft drinks.

SMART COOLING PLUS® SYSTEM

The Inverter Linear Compressor and Dual Evaporators react quickly to temperature levels to help keep food fresher, longer.

3-TIER ORGANIZATION FREEZER

Keep food organized and easily accessible so you can find anything fast.

COOLGUARD™

CoolGuard™ metal interior panel adds a premium look.

WI-FI-ENABLED

With ThinQ® technology, you can control your refrigerator from a smartphone, monitor energy usage and get important alerts.

*Shape and clarity of ice may vary with settings, water supply and home use conditions

Style

| | |
|---------------|-----|
| Counter-Depth | Yes |
| Door-in-Door® | Yes |

Innovation

| | |
|--|------------------|
| Wi-Fi-Enabled for ThinQ® Control with iPhone / Android App | Yes |
| Remote Operations | Yes |
| Linear Compressor | Yes |
| Craft Ice™ | Yes (In Freezer) |

Performance

| | |
|-------------------------|--|
| Dual Evaporators | Yes |
| Modes | Ice Plus, Demo, Icemaker On / Off, Power On / Off, Temp Control, Water Filter Reset, Smart Diagnosis, WiFi, Smart Grid |
| Water Filter (6 Months) | Yes |

Capacity and Storage

| | |
|--|--------------------------------------|
| Total Capacity (cu. ft.) | 23.5 |
| Refrigerator Capacity (cu. ft.) | 15.4 |
| Freezer Capacity (cu. ft.) | 8.1 |
| Refrigerator | |
| Storage Shelves | 4 Adjustable, 1 Fixed |
| Fresh Filters | Yes |
| Folding Shelf | Yes |
| Shelf Construction | Spill Protector™ Tempered Glass |
| Crisper Bins | 2-Humidity Crispers, 1 Condiment Box |
| Glide N' Serve™ Drawer with Digital Controls | Yes |
| Freezer | |
| Drawer Type | Pull-out Drawer |
| 3-Tier Organization | Yes |
| DuraBase™ Solid Drawer Base | Yes |
| Ice Bin | Yes |

© 2021 Signature Kitchen Suite. All rights reserved. Design, features and specifications are subject to change without notice. Specifications are for planning purposes only. Consult the product's installation instructions for final dimensional data and other details prior to making cutouts or custom panels. Consult with a heating and ventilation engineer for your specific ventilation requirements. Non-metric weights and measurements are approximate. Smart features require Internet access.

1-855-790-6655 | www.signaturekitchensuite.com

SKSFD3613S
36-INCH COUNTER-DEPTH
FRENCH DOOR REFRIGERATOR

General Features

| | |
|---|---------------------------------|
| SmoothTouch™ Stainless Steel Controls w/White LED Display | Yes (External) |
| Water Filter Indicator | Yes |
| Ice Production (24 Hrs.) | 4.5 lbs (4.9 lbs with IcePlus™) |
| Ice On / Off | Yes |
| CoolGuard™ Metal Interior Panel | Yes |
| Premium LED Interior Lighting | Yes |
| Maximum Sound Level | 42 dBA |
| ENERGY STAR® Certified | Yes |
| Energy Consumption | 717 kWh/Year |
| Dual Ice Makers with Craft Ice™ | Yes |
| External Ice & Water Dispenser | Yes |
| Smart Grid Ready | Yes |
| Ice System | Slim SpacePlus™ |
| Temperature Sensors | 10 |
| Door Alarm | Yes |
| Cooling System | Multi-Air-Flow Technology |

Technical Specs

| | |
|-----------------------|----------------------|
| Required Power Supply | 115 V, 60 Hz, 15 Amp |
| Plug Type | 3-Prong |
| Power Cord Length | 110" |

Dimensions and Weight

| | |
|--|----------|
| Overall Width (inches) | 35 3/4 |
| Overall Height (inches) | 70 1/4 |
| Overall Depth with Handles (inches) | 30 3/4 |
| Overall Depth without Handles (inches) | 28 1/4 |
| Overall Depth without Door (inches) | 24 |
| Net Weight (approx.) | 317 lbs. |
| Shipping Weight (approx.) | 341 lbs. |

Optional Accessories

| | |
|--------------------------|-----------|
| Replacement Water Filter | LT1000P-S |
|--------------------------|-----------|

Warranty Summary*

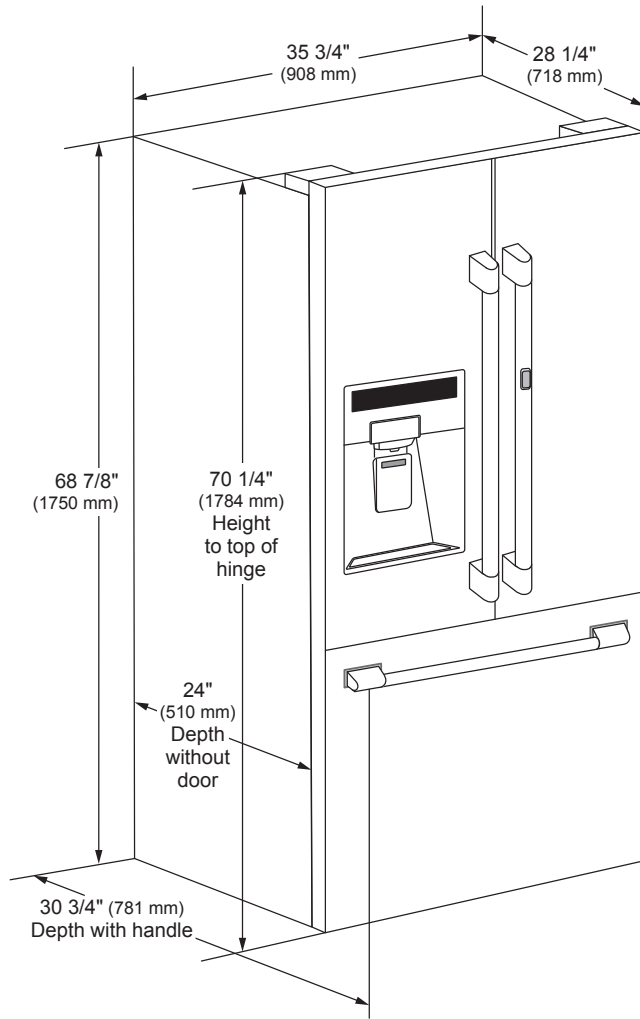
| | |
|--|---------|
| Limited Warranty, Parts & Labor | 3 Years |
| Limited Warranty on Sealed System, Parts and Labor | 3 Years |
| Limited Warranty on Sealed System, Parts Only | 7 Years |

*These warranties give you specific legal rights and you may have other rights that vary from state to state. For complete warranty details, refer to your Use & Care manual.

SKSFD3613S
36-INCH COUNTER-DEPTH
FRENCH DOOR REFRIGERATOR

OVERALL PRODUCT DIMENSIONS

FRONT VIEW



Notes

Check the dimension of the cutout to install the product against the dimension stated in the installation manual. The dimensions are the recommended dimensions to install the product. (If the cutout dimension is smaller than the recommended dimension, the product cannot be installed.)

Clearances

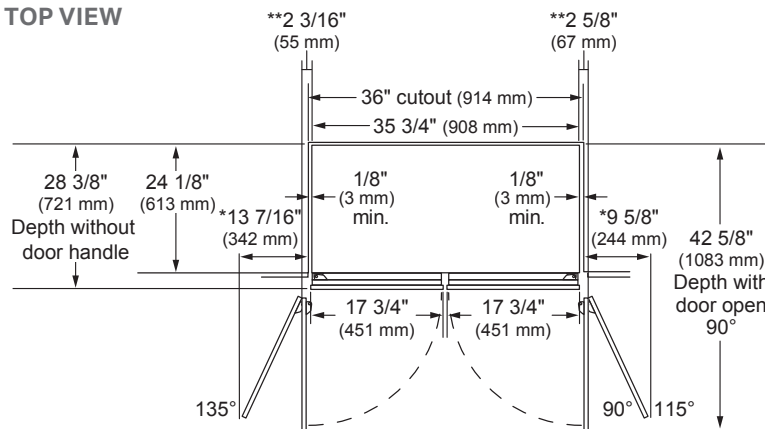
The installation must allow for clearances to adjacent walls or cabinets.

A minimum of 2" (50 mm) clearance to the back wall is required.

A minimum of 2" (50 mm) clearance above the refrigerator is required.

A minimum of 24" (610 mm) in front of the refrigerator is required.

TOP VIEW



*Add 2 1/2" (63 mm) for door handle

**Clearance required to open door 90°