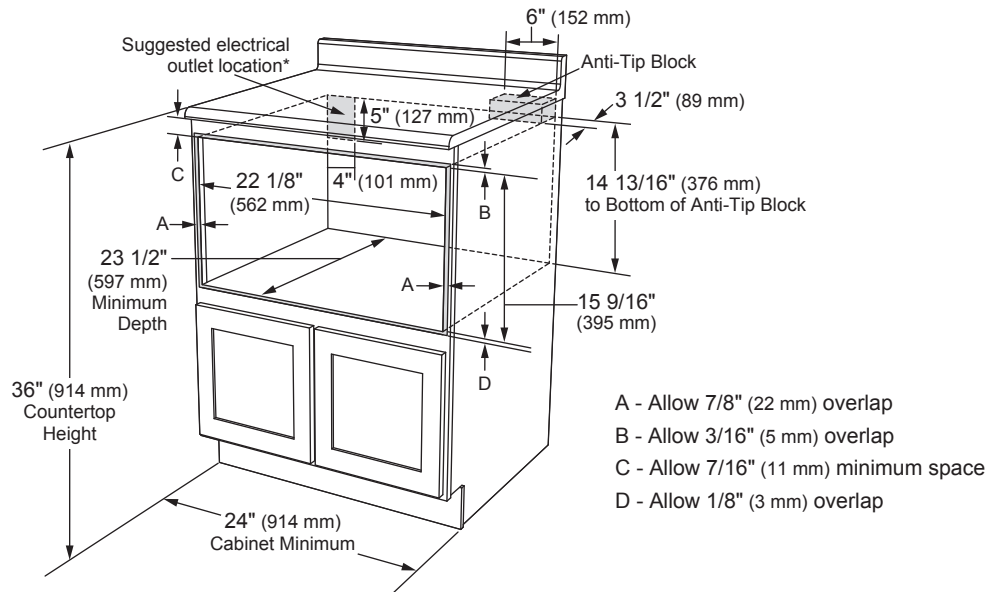






# SKSMD2401S MICROWAVE OVEN DRAWER

## STANDARD (PROUD) INSTALLATION



\*Can also be installed using an electrical outlet in an adjacent cabinet within the area where the provided electrical cord can reach. Power cord access hole in cabinet should be a minimum 1 1/2" (38 mm) diameter hole and deburred of all sharp edges.

### Notes

The floor of the opening should be constructed of plywood strong enough to support the weight of the oven (about 100 pounds).

### Electrical

A 120V, 60Hz grounded power receptacle should be installed at the back of the cabinet opening.

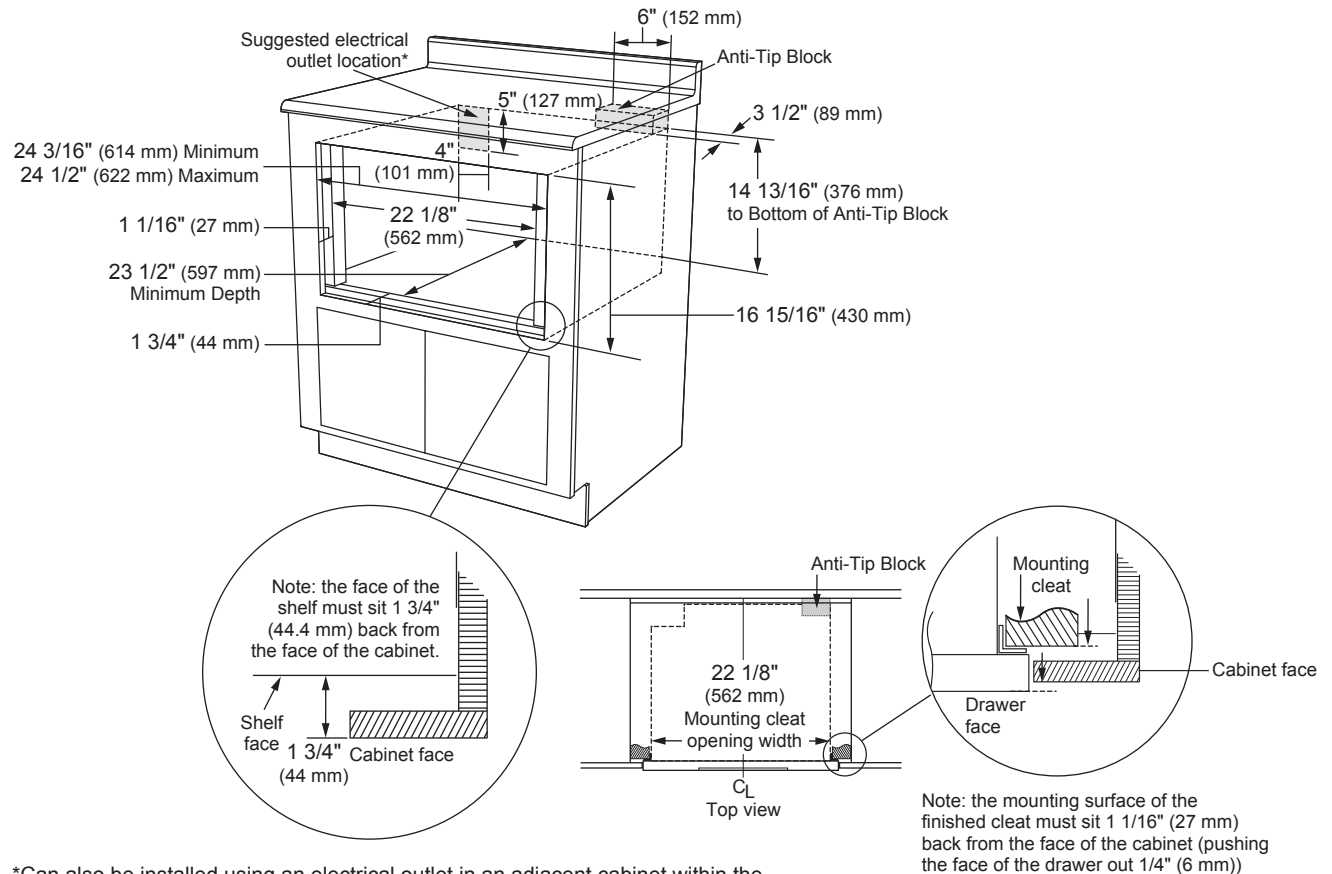
### Warning

Be sure that the clearance of the floor between the wall oven and the microwave drawer is a minimum of 2-inches.

# SKSMD2401S MICROWAVE OVEN DRAWER

A growing trend in the installation of kitchen appliances is mounting flush. This allows the consumer to present their appliances with a clean, flush with the cabinet face appearance. In this installation type, there are two ways to accomplish this look: 1/4" front extended and true flush.

## FLUSH (1/4" FRONT EXTENDED) INSTALLATION – REQUIRES DEFLECTOR VENT (KIT INCLUDED)



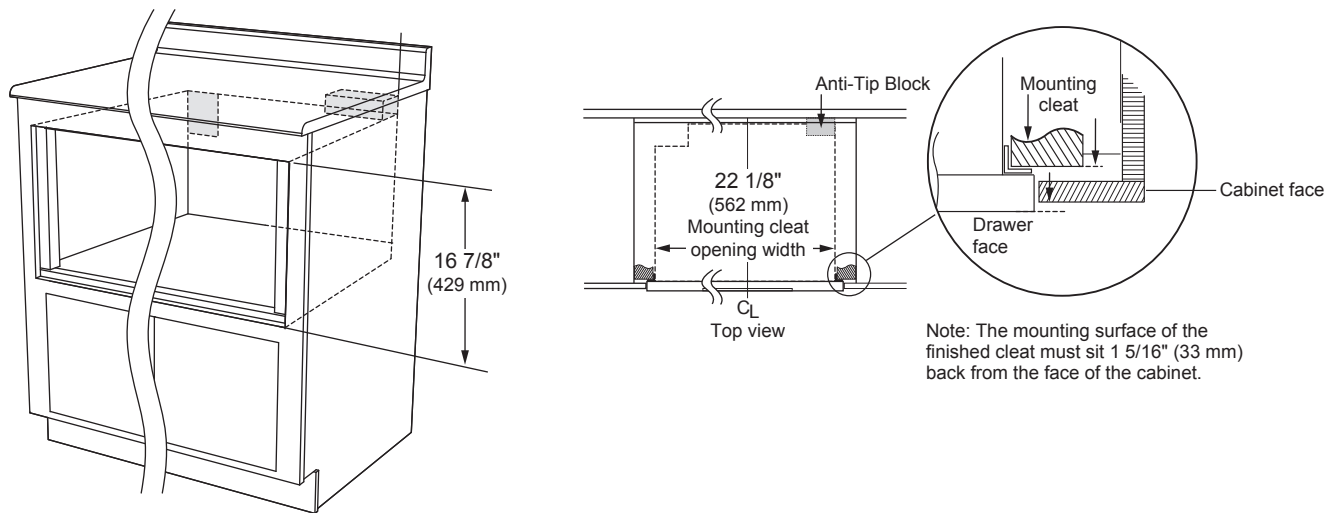
\*Can also be installed using an electrical outlet in an adjacent cabinet within the area where the provided electrical cord can reach. Power cord access hole in cabinet should be a minimum 1 1/2" (38 mm) diameter hole and deburred of all sharp edges.

### Notes

In the flush 1/4" front extended application, the appliance can be mounted slightly "proud" of the cabinet cutout, which will create a flush appearance. Having the 1/4" extension also allows to hide the cabinet cutout edges.

# SKSMD2401S MICROWAVE OVEN DRAWER

## TRUE FLUSH INSTALLATION – REQUIRES DEFLECTOR VENT (KIT INCLUDED)

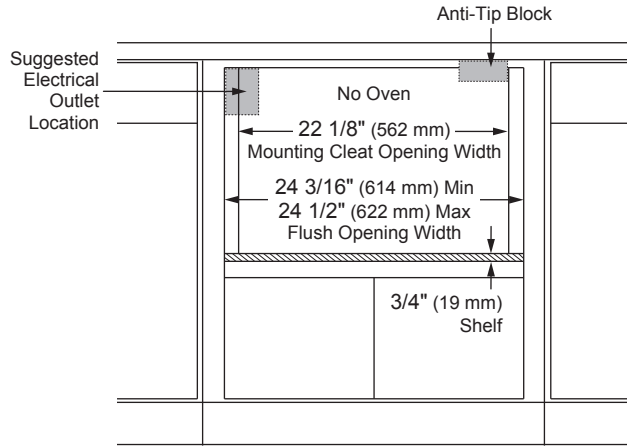


\*Can also be installed using an electrical outlet in an adjacent cabinet within the area where the provided electrical cord can reach. Power cord access hole in cabinet should be a minimum 1 1/2" (38 mm) diameter hole and deburred of all sharp edges.

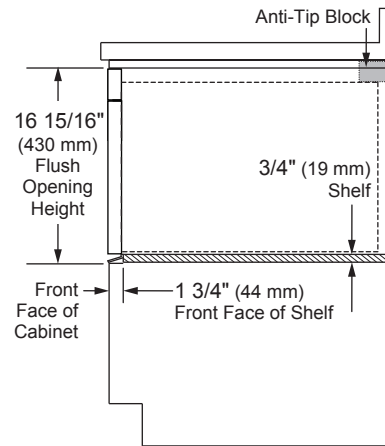
### Notes

In the true flush application, the appliance is mounted just as described, truly flush with the cabinet face. However, due to the appliance face and the cabinet face being on the same plane, the cabinet cutout edges will be visible and exposed. It is recommended in this true flush installation to finish / stain these edges.

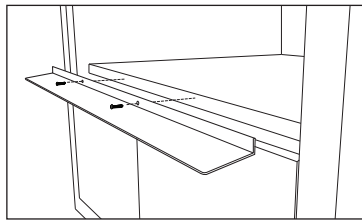
**DEFLECTOR VENT KIT INSTALLATION – REQUIRED FOR FLUSH AND TRUE FLUSH INSTALLATION**



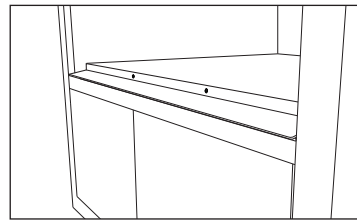
Front View



Side View



Shelf detail showing the deflector vent during installation.  
 Position deflector vent and mark holes.  
 Pre drill using a 1/16" (1.57 mm) bit before mounting.



Shelf detail showing the deflector vent installed.