

Premium Smart IPTV with a Sleek Design and Embedded *b*-LAN™

Provide your guests with a superior viewing experience with the interactive smart solution, Pro:Centric® SMART and embedded *b*-LAN™ module. The UV970H's sleek design helps upgrade the ambience in virtually any hotel room while also enabling the ability to create your own content with SDK Tools, Pre-loaded Apps, and content management software, Pro:Centric® Direct (Optional). Also, ULTRA HD picture quality and HDR compatibility help give an excellent viewing experience to your guests.



UV970H

- Pro:Centric® SMART
- Integrated Pro:Idiom® DRM Technology
- Sleek Design : ULTRA Slim, Floating Screen
- ULTRA HD
- Commercial Grade Stand (for 55UV970H)
- webOS & Media Share Features
- ^{NEW} Dolby Vision™ High Dynamic Range (HDR) with HDR10 Compatibility

screen size

55" class (54.6" diagonal), 65" class (65.1" diagonal)

Key Features

Pro:Centric® SMART

The UV970H is the latest in the line of Pro:Centric TVs that provide a unique and dedicated hotel applications hosting platform for LG's system integrators' interactive applications, enabling delivery for a wide range of custom applications tailored to both hotel management and guests' needs. LG Pro:Centric SMART offers extended customizable tools:

HTML5, Java and Flash. Using these tools, partners can optimize the TVs by editing and developing their own enhanced service design to increase the visual impact on guests.

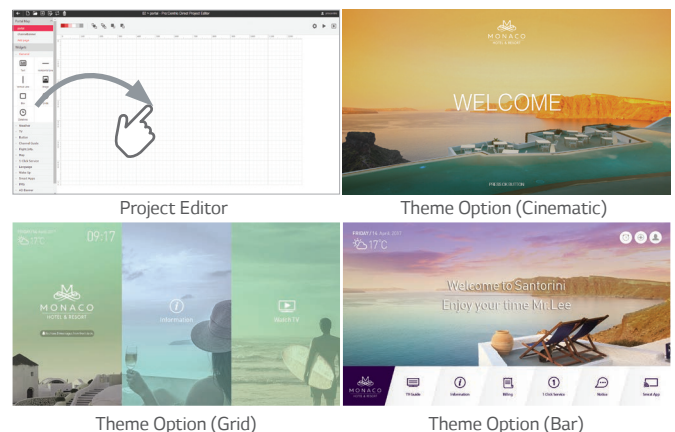
Pro:Idiom®

GLOBAL LEADING DIGITAL RIGHTS MANAGEMENT (DRM) SOLUTION

Pro:Idiom unlocks access to premium content to help ensure rapid and broad deployment of HDTV and other high value digital content. Pro:Idiom has been designed specifically for users of premium HDTV content from cable, satellite, or video on demand (VOD) services, and is intended to lower costs and reduce maintenance. This leading DRM system is embraced for its security solution, prevents illegal copying of copyrighted content.

Pro:Centric Direct Ready

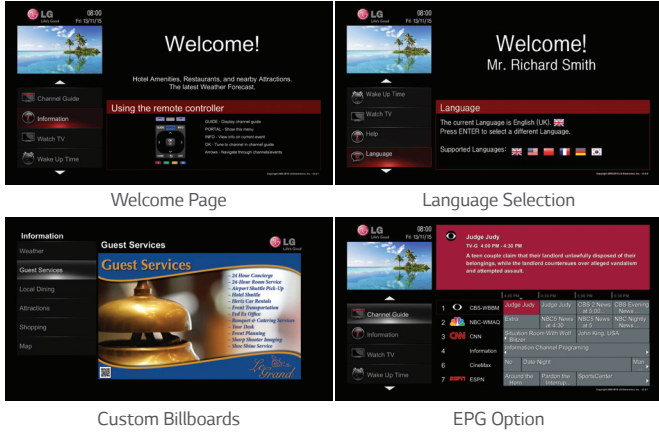
Simply create your own user interface designs and remotely manage TVs on the properties' distribution network with Pro:Centric Direct, LG's new HTML-based content management software. Pro:Centric Direct offers a comprehensive HTML UI (User Interface) Editor, along with customizable drag and drop widgets and multiple theme templates to enable system integrators to create a unique guest user experience and express the hotel's brand identity and individuality. Hotels can use the system to promote branding and provide useful information for guests, such as available amenities, weather and flight information. The interactive features, including a free-of-charge Electronic Program Guide (EPG) and support for embedded smart applications, will impress guests by elevating their in-room television entertainment experience. Plus, for hoteliers, not only does it offer efficient content production and management, it also maximizes advertisement or promotion effectiveness.



Premium Smart IPTV with a Sleek design and Embedded b-LAN™

Pro:Centric Application

Personalize the guest experience with the Pro:Centric Application (PCA), which provides guests' access to a variety of additional features, such as an interactive Electronic Program Guide, weather forecast and radar map, and customized electronic billboards for information on hotel amenities, all conveniently presented through the on-screen menus.



Free Interactive EPG Service for Pro:Centric TVs

PLAN HIGHLIGHTS

If your property has purchased or plans to purchase LG's Pro:Centric TVs, you may qualify for a free EPG that allows guests to easily navigate TV channels and programs, just like they do at home. Participating properties must purchase and install a Pro:Centric server and supply an internet connection for daily program updates. Properties must also contract with an LG authorized partner to install and program the server to match your Free-To-Guest (FTG) Channel Map.

Free program guide service runs until December 2017, replacing the previous programming fee of \$1.50 per room per month.

Contact your LG sales representative or visit: www.LG.com/us/commercial/display-discover/epg

LG's FTG COST EFFECTIVE SOLUTION

When using LG televisions in FTG hotel installations, the Pro:Centric server (PCS200S) supports remote management of TV settings. With remote management, individual room visits are no longer required for TV configuration updates, including FTG Channel Map and FTG Installer Menu settings updates, thereby saving labor costs.

Hotel Costs For FTG Channel Management

	Estimated Labor Costs	MSRP	Total	Potential Savings over room visit
LG Pro:Centric TV with Pro:Centric Server		\$2,499 (PCS-200S)	\$2,499	\$17,501
Manual Room Updates	\$20(est.) x 2 times per year (to update channels) x 100 rooms x 5 years		\$20,000	

MSRP subject to change. Installation not included.

HEAD END SYSTEM

Remote management functions are supported via the Pro:Centric server. The Pro:Centric Application software can be remotely added at a later date to deliver the benefits of LG's Pro:Centric Application features. (Weather, EPG, Billboards, etc)



Sleek Design

ULTRA Slim

ULTRA Slim reduces the thickness of a TV innovatively. This ULTRA Slim design provides excellent space efficiency and adds a modern aesthetic to your hotel rooms.



Floating Screen

The Floating Screen design with the frameless panel brings guests immersive viewing experience while the TV seamlessly blends into the décor.



Active HDR

Advanced HDR Dolby Vision™

Dolby Vision™ is a technology that delivers intense highlights, vivid colors and deep black on the screen. UV970H series supports premium HDR (High Dynamic Range) content mastered by Dolby Vision™ so that provides entertainment to guests with fully captured the content creator's intention.



SDR HDR

ULTRA HD

FULL HD 1920 x 1080
ULTRA HD 3840 x 2160



4K ULTRA HD is the future of digital picture, possessing four times higher resolution than that of Full HD. Stunning 8.3 million pixels gives a flawless picture quality and incredibly vivid detail.

Smart Connectivity

Media Share



Guests may use LG Smart Share features, such as Wi-Fi Direct®, as well as Screen Share features, including Miracast®, WiDi, and DIAL to view content from their mobile devices on the large HD screen.

Bluetooth Sound Sync (Bluetooth 3.0)*



This feature allows guests to listen to audio from a Bluetooth-enabled mobile device through the TV's speakers.

*Support devices for Bluetooth Sound Sync : Android (above v4.4 KitKat) / iOS based Mobile Device

LG Sound Sync



Through a wireless connection, guests can listen the sounds of the LG Smart hospitality TVs using Bluetooth devices such as Bluetooth Speaker and headset. It helps guests to have their own spaces without disturbing other guests.

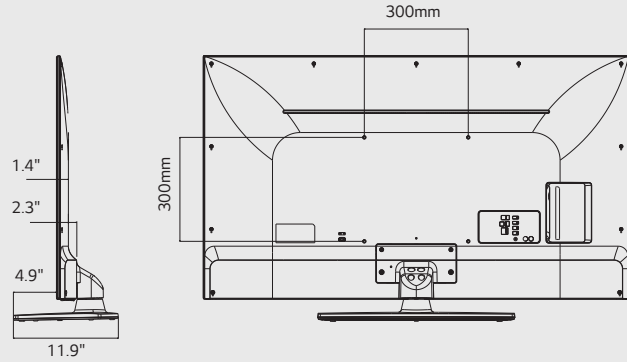
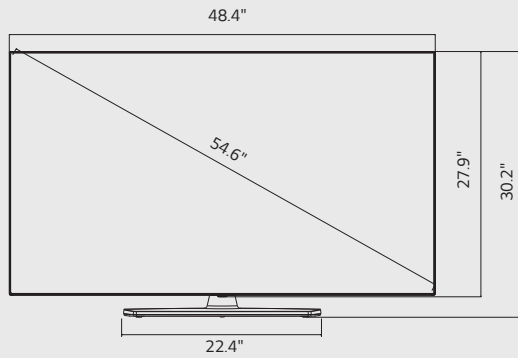
Premium Smart IPTV with a Sleek design and Embedded b-LAN™

Dimensions

55"

48.4" x 30.2" x 11.9"

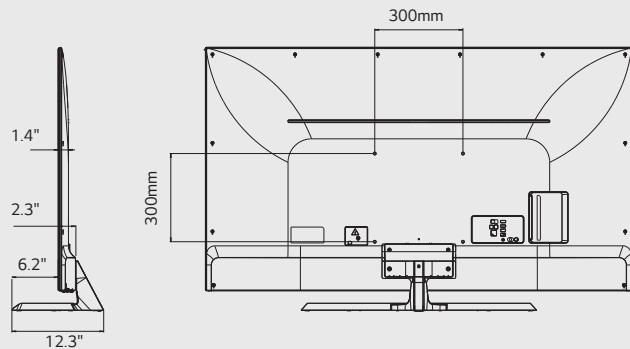
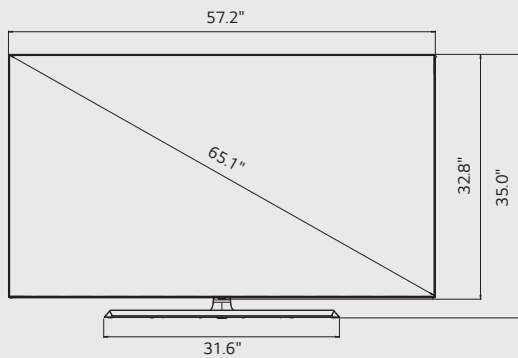
(With Stand : W x H x D)



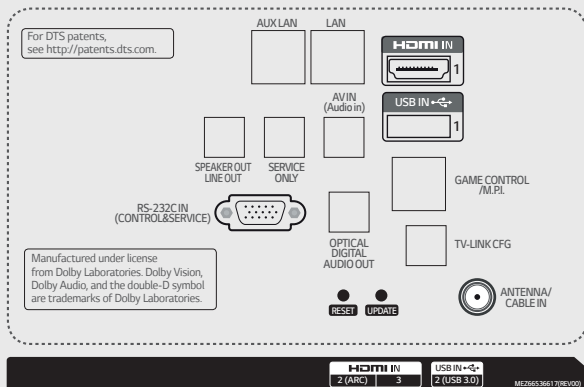
65"

57.2" x 35.0" x 12.3"

(With Stand : W x H x D)



Jack Panels (Rear/Side)



Anti-Theft System (for 55UV970H)



Kensington Lock

- LG Hotel TVs are protected by the reliable Kensington Lock solution.



Reinforced Metal Stand

- Full metal reinforced stand to improve sturdiness, durability and safety.
- Provides ($\pm 20^\circ$) swivel out of the box.
- Provides ($\pm 20/45/90^\circ$) swivel when used with Lock Down plate.



Lock Down Plate with Credenza Hole

- Lock the TV firmly to the credenza for added security and help deter theft. (Mounting plate, security bolts, nuts and screws are included.)

Specifications

UV970H

		55	65
DISPLAY	Diagonal Size	54.6"	65.1"
	Type	Edge LED	
	Resolution	3,840 x 2,160 (4K UHD)	
	Dynamic Contrast Ratio	1,000,000:1	
	Static Contrast Ratio	1,400:1	
	Viewing Angle Degree	178° / 178°	
	Response Time (G to G)	5m/s	
BROADCASTING SYSTEM	Frame Rate	T120	
	Analog	NTSC	
	Digital	ATSC / VSB / Clear QAM	
VIDEO	MPEG-2 / MPEG-4 H.264 DECODING	Yes	
	XD Engine	Yes	
	Real Cinema 24p (3:3 Pull down)	Yes	
	Picture Mode	Yes 9 modes (Vivid, Standard, APS (Eco), Cinema, Sports, Game, HDR Effect, Expert (Bright Room), Expert (Dark Room))	
	Aspect Ratio	Yes 6 modes (16:9, Original, 4:3, Vertical Zoom, All-Direction Zoom, Just Scan)	
AUDIO	HDR	Dolby Vision™ HDR, HDR10	
	Audio Output / Speaker System	40W / 2.2ch	
	Sound Mode	Yes 6 modes (Standard, Cinema, Clear Voice III, Sports, Music, Game)	
	Optical Sound Sync	Yes	
SOLUTION	Wireless Sound Sync	Yes	
	Type	Pro:Centric® SMART / Pro:Centric® Direct	
	Data Streaming (IP&RF)	Yes	
	Pro:Centric Application	Yes	
	RF	2 Tuner	
	HCAP (SDK)	GEM / Flash / HTML	
	IP Return Path	Yes	
	Server	PCS400S, PCS200S	
SMART FEATURES	Digital Rights Management	Pro:Idiom	
	Smart UX	webOS 3.5, Commercial Smart Home, Web Browser, Pre-loaded Apps, SDP (Service Delivery Platform), Magic Remote (Optional)	
	Connectivity	SoftAP, WiFi (802.11a/b/g/n/ac), ScreenShare (Miracast), SmartShare, DIAL, Bluetooth Sound Sync, LG Sound Sync	
GENERAL FEATURES	Installation Management	EzManager, USB Cloning	
	USB	Wake on RF, WOL (Wake on LAN) SNMP, Remote Diagnostics, MPI/RS-232C Protocol, IR Out, Multi IR Code, HTNG/HDMI-CEC	
	Setting Option	Moving Picture Playback (.asf, .wmv, .avi, .mp4, .m4v, .mov, .3gp, .3g2, .mkv, .mpg, .mpeg, .dat, etc), Picture (jpeg, jpg, jpe, BMP, PNG), Audio Codec (.mp3, .wav, .OGG, WMA, .flac)	
	Anti-theft System	Auto Off/Sleep Timer, Smart Energy Saving, Motion Eye care	
HOSPITALITY FEATURES		Kensington Lock, Credenza/Security Screw Hole, Lock Down Plate	
		PDM(Installer menu), Welcome Screen(Splash Image), Insert Image(webOS default), Logical Channel Map, External Speaker Out, Instant ON, RJP Compatibility, b-LAN™ embedded	
INTERFACE	Side	HDMI In (2), USB 3.0	
	Rear	RF In (b-LAN), AV In, Digital Optical Audio Out, HDMI Input, USB, RS-232C, RJ45(2), External Speaker Out, TV Link Configuration(b-LAN Service), MPI Port, Debug	
DIMENSIONS	ACCESSORIES	Power Cable (5.9 ft), Owner's Manual / Easy Setup Guide	
	Bezel Width (L / R, U, B) : on bezel based	8.7, 8.7, 12.5 (mm)	10.6, 10.6, 12.5 (mm)
	Bezel Width (L / R, U, B) : off bezel based	2.4, 2.4, 2.9 (mm)	2.4, 2.4, 2.9 (mm)
	Vesa (mm)	300mm x 300mm	
	W x H x D / weight (w/o stand)	48.4" x 27.9" x 1.4" / 39.9lb	57.2" x 32.8" x 1.4" / 59.5lb
POWER	W x H x D / weight (with stand)	48.4" x 30.2" x 11.9" / 47.2lb	57.2" x 35.0" x 12.3" / 63.1lb
	W x H x D / weight (Carton)	53.5" x 33.9" x 7.5" / 53.4lb	63.0" x 38.2" x 7.5" / 80.5lb
	Stand	(± 20/45/90°) Swivel	
STANDARD APPROVAL	Voltage, Hz	100 – 240V, 50/60Hz	
	Typical (Watts)	72.8	83.7
UPC	Stand-by (Watts)	< 0.5	
	Safety	UL	
	Environment	FCC	
	Etc.	RoHS, UL, Dolby Vision™	
		719192611535	719192611528



Download LG Commercial Display Mobile App



Learn more www.lg.com/b2b

YouTube youtube.com/c/LGCommercialDisplay

All screen images are simulated. Dimension and weights are approximate. Design, features and specifications subject to change without notice.
 © Copyright 2019 LG Electronics USA, Inc. All rights reserved. LG and the LG logo are registered trademarks of LG Corp. All other trademarks or registered trademarks are the property of their respective owners.
 SPEC_UV970H_011974_PR

