



2.2 cu. ft. Over-the-Range Microwave Oven with ExtendaVent™

- 2.2 cu. ft. Oven Capacity
- EasyClean® Interior
- SmoothTouch™ Glass Controls
- 1,000 Watts
- Sensor Cooking
- 10 Power Levels
- 4 Auto Cook Options
- Rack for 2-Level Cooking
- Slide-out ExtendaVent™
- 400 CFM Exhaust Fan
- QuietPower™ Ventilation System



COLOR AVAILABILITY

- LMH2235ST – Stainless Steel

COOKING FEATURES

Oven Capacity	2.2 cu. ft.
Microwave Power Output	1,000 W
Convection Power Output	N/A
EasyClean® Interior	Yes
Sensor Cook Options	Yes
Power Levels	10
Defrost	Auto / Time / Rapid Defrost
Sensor Reheat	Yes
Auto Cook Options	4
Custom Settings	Yes

CONVENIENCE FEATURES

Control Type	SmoothTouch™ Glass
Turntable Diameter	14.2"
Metal Rack	Yes
Clock	Yes
Kitchen Timer	Yes
Completion Beeper	Yes
Turntable On/Off	Yes
Add 30 Seconds	Yes
Energy Savings Key (Turns Off LED Display)	Yes
Exterior Lighting	LED
Interior Lighting	30 W Incandescent
Child Lock	Yes

VENTING SYSTEM

ExtendaVent™ (slide-out)	Yes
Filtration	Charcoal Filter
Exhaust Grease Filters	2
Power Levels	4
Vent Grille Type	Hidden
Vent Air Flow	400 CFM
Venting Options	Roof, Wall, Room

SMART FEATURES

Wi-Fi Enabled	No
ThinQ®	No
SmartDiagnosis™	No

APPEARANCE / MATERIALS / FINISHES

WideView™ Window	Yes
Interior Color	Gray
Clock Display Color	White

TECHNICAL SPECS

Required Power Supply	120V, 60 Hz
Minimum Circuit Rating	15 Amp
Plug Type	3-Prong

INCLUDED ACCESSORIES

Glass Turntable, Metal Rack

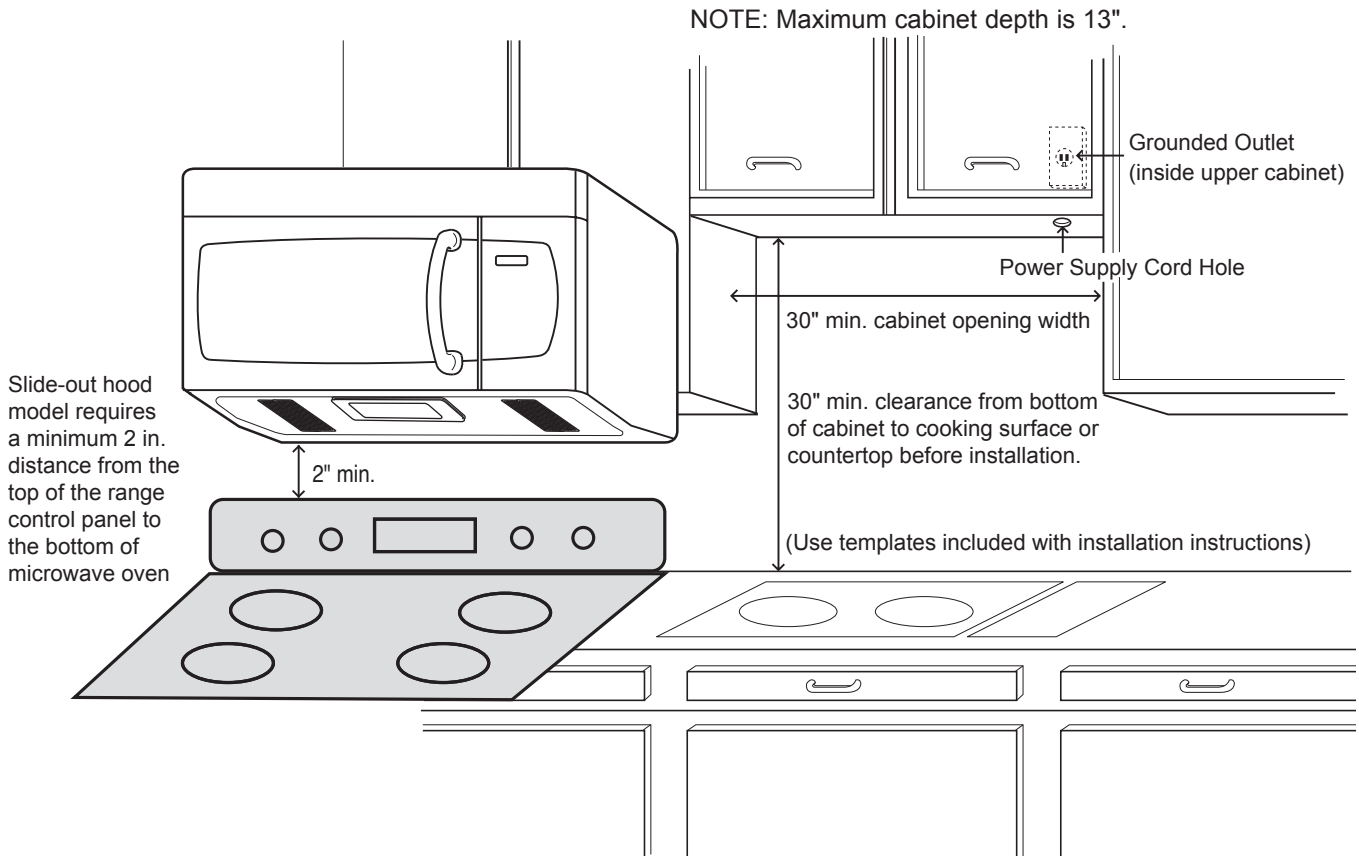
DIMENSIONS / CLEARANCES / WEIGHT

Product Dimensions (W x H x D)	29 7/8" x 17 15/16" x 15 7/8"
Oven Interior Dimensions (W x H x D)	22" x 11 5/8" x 14 5/8"
Cut-out Dimensions (W x D)	30" x 13"
Minimum Distance from Cooking Surface	30"
Carton Dimensions (W x H x D)	33 1/2" x 20 3/4" x 20 1/2"
Approx. Weight (Product / Carton)	73.5 lbs. / 78 lbs.

LIMITED WARRANTY

Parts and Labor	1 Years
Magnetron	10 Years

DIMENSIONS / CLEARANCES



- MAKE SURE YOU HAVE ENOUGH SPACE AND SUPPORT.
 - Mount the oven against a flat, vertical wall, so it is supported by the wall. The wall should be constructed of minimum 2" x 4" wood studing and 3/8" thick drywall or plaster/lath.
 - Attach the two lag screws supporting the oven to a vertical, 2" x 4" wall stud.
 - DO NOT mount the microwave oven to an island or peninsula cabinet.
 - BE SURE the upper cabinet and rear wall structures can support 150 lbs., plus the weight of any items you place inside the oven or upper cabinet.
 - Locate the oven away from strong draft areas, such as windows, doors, and strong heating vents.
 - BE SURE you have enough space. See drawing above for minimum vertical and horizontal clearance.
 - **WARNING:** If you do not mount the oven as instructed, you risk personal injury and/or property damage