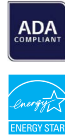


6.3 cu. ft. Electric Slide-in Range

- EasyClean®
- 2 Dual Elements (UltraHeat™)
- Slide-in Design
- 6.3 cu ft. Large Capacity



COLOR AVAILABILITY

● LSEL6330SE – Stainless Steel

CAPACITY

Oven Capacity 6.3 cu. ft.

OVEN FEATURES

Convection System	No
Oven Cooking Modes	Warm, Bake, Broil, EasyClean®
Infrared Heating™ System	No
Air Sous Vide	No
Built-in Air Fry	No
Temperature Probe	No
Oven Racks	2 Standard
Number of Rack Positions	7
Broil Element	2,600W
Bake Element	2,300W
EasyClean®	Yes
Self Clean	No
GoCook Smart Oven Light	No
Door Lock	No
Automatic Safety Shut-Off	No

COOKTOP FEATURES

Cooktop Type	Radiant
Number of Elements	4
Element Size / Wattage	
Left Front	Dual 9" / 6" - 3,200W / 1,400W (UltraHeat™)
Left Rear	6" / 1,200W
Center	–
Right Front	Dual 9" / 6" - 3,200W / 1,400W (UltraHeat™)
Right Rear	6" / 1,200W
Hot Surface LED Indicator	Yes

CONTROLS

Cooktop Control Type	Front Knobs
Oven Control Type	Front Knob
Display	No
Language	English

Kitchen Timer	No
Timed Cook	No
Clock	No
Temperature Unit of Measure	°F
Cooking Complete Reminder Volume	No
Oven Control Lock	No

CONVENIENCE

Storage Drawer	No
ADA Compliant	Yes
Sabbath Mode	No

SMART FEATURES

Wi-Fi Enabled	No
ThinQ® Technology	No
SmartDiagnosis™	No
NFC Tag On	No

FINISHES AND APPEARANCE

Fingerprint & Smudge Resistant Exterior	No
Cooktop Finish	Black Ceramic Glass w/Gray Pattern
Handle / Knobs	Stainless Steel Appearance
Oven Door Feature	WideView™ Window

TECHNICAL SPECS

ENERGY STAR® Certified	Yes
Required Power Supply	120/208-240 V, 60 Hz, 3-Wire or 4-Wire
Minimum Circuit Rating	40 Amp
kW Rating at 208V	8.6 kW
kW Rating at 240V	11.4 kW
Power Cord	Not Included
Electrical Receptacle	4-Wire (14-50R) 3-Wire (10-50R)
Power Outlet Location	See Installation Diagram

INCLUDED ACCESSORIES

2 Standard Racks, Rear Filler Kit, Anti-tip Kit

OPTIONAL ACCESSORIES

Slide-in Range Filler Kit (Side Gaps) LSFL301S

DIMENSIONS / CLEARANCES / WEIGHTS

Product Dimensions (W x H x D w/Handle) 29 7/8" x 37 1/4" x 29 7/32"

Product Height to Cooking Surface 36"

Cutout Dimensions (W x H x D) 30" x 36" x 25"

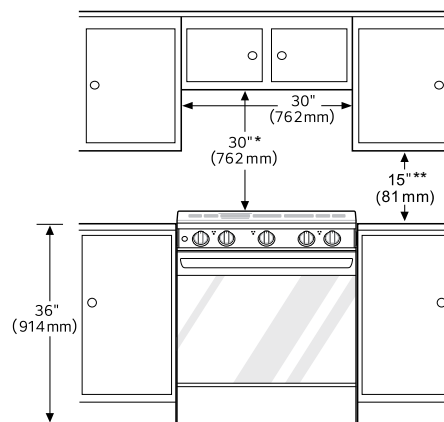
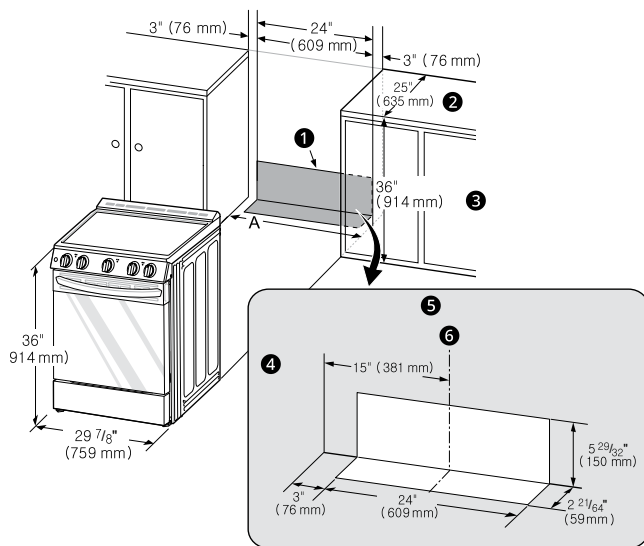
Carton Dimensions (W x H x D) 32 1/2" x 44" x 30 1/2"

Approx. Weight (Carton) 162 lbs.

LIMITED WARRANTY

Parts and Labor 1 Year

DIMENSIONS / CLEARANCES



DIMENSIONS / CLEARANCES

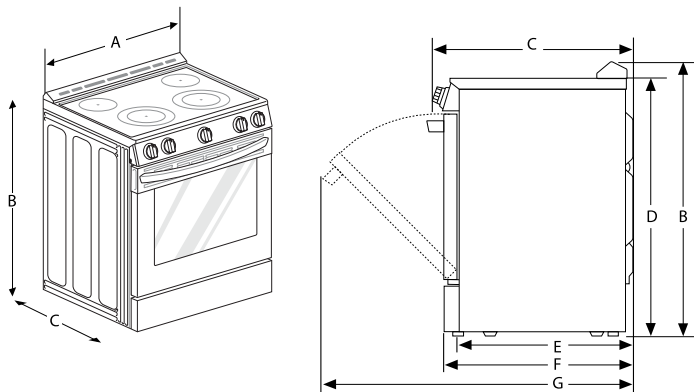
A	Cabinet Opening – 30" (762 mm)
1	Acceptable electrical outlet area
2	Normal counter top depth
3	Counter top height
4	Cabinet
5	Wall
6	Center

MINIMUM DIMENSIONS

*30" (76.2 cm) minimum clearance between the top of the cooking surface and the bottom of an unprotected wood or metal cabinet; or 24" (60.9 cm) minimum when bottom of wood or metal cabinet is protected by not less than 1/4" (6.4 cm) flame retardant millboard covered with not less than no. 28 MSG sheet steel, 0.015" (0.381 mm) stainless steel, 0.024" (0.610 mm) aluminum or 0.020" (0.508 mm) copper.

**15" (38.1 cm) minimum between countertop and adjacent cabinet bottom.

DIMENSIONS / CLEARANCES



DIMENSIONS / CLEARANCES

A	Width	29 7/8" (758.8 mm)
B	Height	37 1/4" (946 mm)
C	Depth (Includes Door Handle)	29 7/32" (742 mm)
D	Height (Excludes Vent Trim)	36" (914 mm)
E	Depth (Includes only the product body that is loaded into the cabinet. Excludes door and handles)	24 25/32" (628.4 mm)
F	Depth (Excludes Door Handle)	26 27/32" (682 mm)
G	Depth when door is fully opened	48 5/8" (1235.9 mm)