

6.3 cu. ft. Induction Slide-in Range



- Built-in Air Fry
- ProBake® Convection
- 4 Induction Elements
- EasyClean® + Self Clean
- 6.3 cu. ft. Large Capacity
- Storage Drawer
- LG ThinQ® Technology (Wi-Fi)



COLOR AVAILABILITY

● LSIL6334XE – Stainless Steel

CAPACITY

Oven Capacity	6.3 cu. ft.
Drawer Capacity	0.8 cu. ft.

OVEN FEATURES

Convection System	ProBake® Convection
Oven Cooking Modes	Bake, Convection Bake, Broil High, Broil Low, Air Fry, EasyClean®, Self Clean
Infrared Heating™ System	No
Air Sous Vide	No
Built-in Air Fry	Yes (Air Fry Tray Included)
Temperature Probe	No
Oven Racks	2 Standard
Number of Rack Positions	7
Broil Element	4,200 W
Bake Element	–
Convection Element	2,500 W
Convection Conversion	Yes
EasyClean®	Yes
Self Clean	Yes
GoCook Smart Oven Light	Yes (1)
Door Lock	No
Automatic Safety Shut-Off	After 12 hours

DRAWER FEATURES

Type	Storage
------	---------

COOKTOP FEATURES

Cooktop Type	Induction
Number of Elements	4 (induction)
Element Size / Wattage	
Left Front	8" – 2100W / 3200W (Boost)
Left Rear	6" – 1300W / 1800W (Boost)
Center	6" – 1300W / 1800W (Boost)
Right Front	11" – 2400W / 3900W (Boost)
Right Rear	–
Hot Surface LED Indicator	Yes

CONTROLS

Cooktop Control Type	Front Control Knobs
Oven Control Type	SmoothTouch® Glass
Display	LED (White)
Language	English
Kitchen Timer	Yes
Timed Cook	Yes
Clock	Yes
Temperature Unit of Measure	°F or °C
Cooking Complete Reminder Volume	High, Low, Off
Oven Control Lock	Yes

CONVENIENCE

ADA Compliant	Yes
Sabbath Mode	Yes (Star-K-Certified)

SMART FEATURES

Wi-Fi Enabled	Yes
ThinQ® Technology	Yes
ThinQ UP™	Yes
ThinQ Care™	Yes
Remote Monitoring	Yes
Voice Control	Amazon Alexa, Google Assistant
SmartDiagnosis™	Yes
Smart Recipe (3rd Party Apps)*	Yes (Sidechef)

FINISHES AND APPEARANCE

Fingerprint & Smudge Resistant Exterior	Yes
Cooktop Finish	Black Ceramic Glass
Handle / Knobs	Stainless Steel Appearance
Oven Door Feature	WideView™ Window

TECHNICAL SPECS

ENERGY STAR® Certified	Yes
Required Power Supply	120/208-240 V, 60 Hz, 3-Wire or 4-Wire
Minimum Circuit Rating	40 Amp
kW Rating at 208V	9.45 kW
kW Rating at 240V	11.4 kW
Power Cord	Not Included
Electrical Receptacle	4-Wire (14-50R) 3-Wire (10-50R)
Power Outlet Location	See Installation Diagram

INCLUDED ACCESSORIES

2 Standard Racks, Air Fry Rack, Scouring Pad, Cooktop Cleaner, Rear Filler Kit

OPTIONAL ACCESSORIES

Slide-in Range Filler Kit (Side Gaps)	LSFL301S
---------------------------------------	----------

Air Fry Rack	LRAL302S
--------------	----------

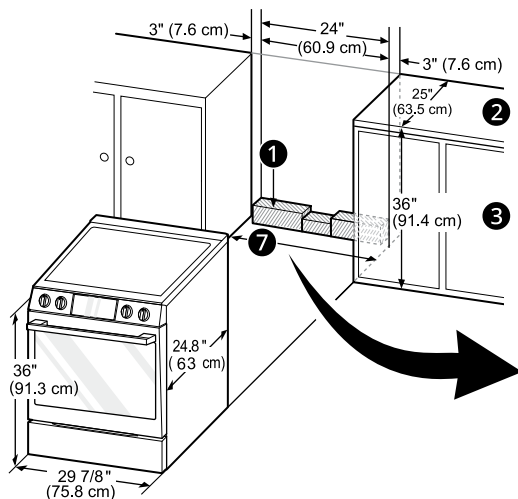
DIMENSIONS / CLEARANCES / WEIGHTS

Product Dimensions (W x H x D w/Handle)	29 7/8" x 36 1/2" x 29 5/16"
Product Height to Cooking Surface	36"
Cutout Dimensions (W x H x D)	30" x 36" x 25"
Carton Dimensions (W x H x D)	32 1/2" x 44" x 30 1/2"
Approx. Weight (Product / Carton)	185.5 lbs. / 244.2 lbs.

LIMITED WARRANTY

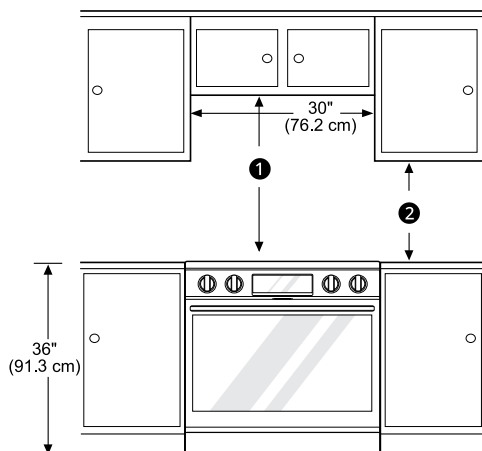
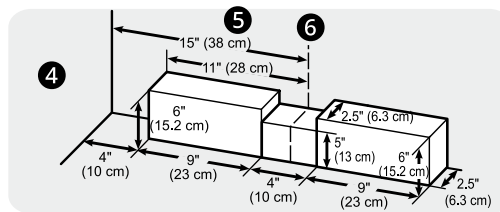
Parts and Labor	1 Year
-----------------	--------

DIMENSIONS / CLEARANCES



DIMENSIONS / CLEARANCES

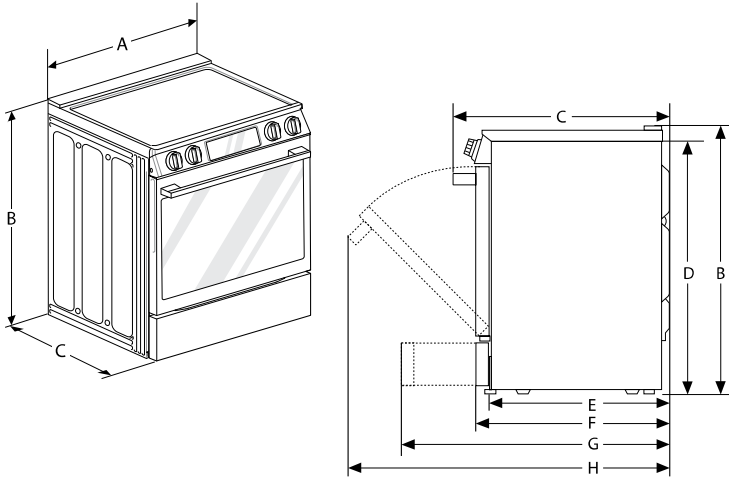
1	Acceptable electrical outlet area
2	Normal counter top depth
3	Counter top height
4	Cabinet
5	Wall
6	Center
A	Cabinet Opening – 30" (762 mm)



MINIMUM DIMENSIONS

- 30" (76.2 cm) minimum clearance between the top of the cooking surface and the bottom of an unprotected wood or metal cabinet; or 24" (60.9 cm) minimum when bottom of wood or metal cabinet is protected by not less than 1/4" (6.4 cm) flame retardant millboard covered with not less than no. 28 MSG sheet steel, 0.015" (0.381 mm) stainless steel, 0.024" (0.610 mm) aluminum or 0.020" (0.508 mm) copper.
- 15" (38.1 cm) minimum between countertop and adjacent cabinet bottom.

DIMENSIONS / CLEARANCES



DIMENSIONS / CLEARANCES

A	Width	29 7/8" (758.8 mm)
B	Height	36 1/2" (927.9 mm)
C	Depth (Includes Door Handle)	29 5/16" (743.9 mm)
D	Height (Excludes Vent Trim)	36" (913 mm)
E	Depth (Includes only the product body that is loaded into the cabinet. Excludes door and handles)	24 3/4" (629.4 mm)
F	Depth (Excludes Door Handle)	26 7/8" (683 mm)
G	Depth when drawer is fully opened	36 1/16" (916.2 mm)
H	Depth when door is fully opened	48 5/8" (1235.9 mm)