

6.3 cu. ft. Induction Slide-in Range



- Induction Cooktop
- ProBake® Convection
- Infrared Heating™
- EasyClean® + Self Clean
- 4.0 kW Power Element
- Glass Touch Controls
- Slide-in Design
- 6.3 cu. ft. Large Capacity
- Soft Close Warming Drawer
- LG ThinQ® Technology (Wi-Fi)



COLOR AVAILABILITY

- LSIS3018SS – PrintProof™ Stainless Steel

CAPACITY

Oven Capacity	6.3 cu. ft.
Drawer Capacity	0.8 cu. ft.

OVEN FEATURES

Convection System	ProBake® Convection
Oven Cooking Modes	Bake, Broil, Speed Broil, Convection Bake, Convection Roast, Speed Roast, Warm, Proof
Infrared Heating™ System	Yes
Air Sous Vide	No
Built-in Air Fry	No
Temperature Probe	Yes
Oven Racks	2 Heavy Duty, 1 Gliding
Number of Rack Positions	7
Broil Element	Inner: 1,600W Outer: 2,400W (Infrared Heating™)
Convection Element	2,500W
Convection Conversion	Yes
EasyClean®	Yes
Self Clean	Yes
GoCook Smart Oven Light	Yes (1)
Door Lock	Yes
Automatic Safety Shut-Off	After 12 Hours

DRAWER FEATURES

Type	Warming with Soft Close
Levels	3 (Hi / Med / Low)
Time Control	Yes

COOKTOP FEATURES

Cooktop Type	Induction + Radiant
Number of Elements	5 (4 Induction; 1 Radiant)

Element Size / Wattage	
Left Front	8" – 3,200W (Boost) / 2,100W (Normal)
Left Rear	6" – 1,800W (Boost) / 1,300W (Normal)
Center	6" – 1,800W (Boost) / 1,300W (Normal)
Right Front	11" – 4,000W (Boost) / 2,400W (Normal)
Right Rear	6" – 100W Warming Zone
Hot Surface LED Indicator	Yes

CONTROLS

Cooktop Control Type	Front Tilt-Control Knobs
Oven Control Type	SmoothTouch™ Glass
Display	VFD (White / Red)
Language	English
Kitchen Timer	Yes
Timed Cook	Yes
Clock	12 Hr or 24 Hr (Option)
Temperature Unit of Measure	°F or °C
Cooking Complete Reminder Volume	High, Low, Mute
Oven Control Lock	Yes

CONVENIENCE

ADA Compliant	Yes
Sabbath Mode	Yes (Star-K-Certified)

SMART FEATURES

Wi-Fi Enabled	Yes
ThinQ® Technology	Yes
ThinQ Care	Yes
Voice Control	Amazon Alexa, Google Assistant
SmartDiagnosis™	Yes
3rd Party Recipe App	Yes (Innit and SideChef)

FINISHES AND APPEARANCE

Fingerprint & Smudge Resistant Exterior	Yes
Cooktop Finish	Black Ceramic Glass
Handle / Knobs	Stainless Steel Appearance
Oven Door Feature	WideView™ Window

TECHNICAL SPECS

Required Power Supply	120 / 208-240 V, 60 Hz, 3-Wire or 4-Wire
Minimum Circuit Rating	40 Amp
kW Rating at 208V	10.5
kW Rating at 240V	13.5
Power Cord	Not Included
Electrical Receptacle	4-Wire (14-50R) / 3-Wire (10-50R)
Power Outlet Location	See Installation Diagram

INCLUDED ACCESSORIES

2 Heavy Duty Racks, 1 Gliding Rack, Temperature Probe, Rear Filler Kit, Scouring Pad, Cooktop Cleaner

OPTIONAL ACCESSORIES

Slide-in Range Filler Kit (Side Gaps) LSFL301S

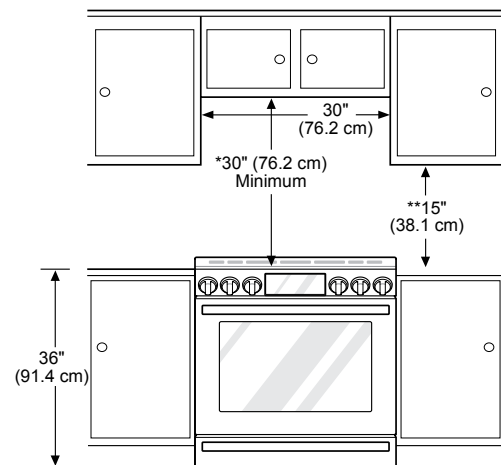
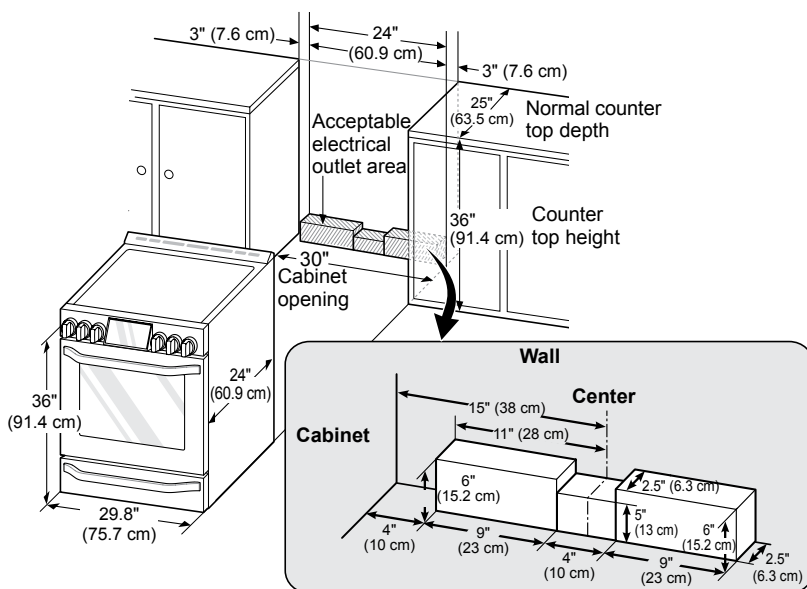
DIMENSIONS / CLEARANCES / WEIGHTS

Product Dimensions (W x H x D w/Handle)	29 15/16" x 37 1/10" x 28 15/16"
Product Height to Cooking Surface	36"
Cutout Dimensions (W x H x D)	30" x 36" x 25"
Carton Dimensions (W x H x D)	32 1/2" x 45 1/2" x 30 1/2"
Approx. Weight (Product / Carton)	165.6 lbs. / 216.1 lbs.

LIMITED WARRANTY

Parts and Labor 2 Years

DIMENSIONS / CLEARANCES



MINIMUM DIMENSIONS

*30" (76.2 cm) minimum clearance between the top of the cooking surface and the bottom of an unprotected wood or metal cabinet; or 24" (60.9 cm) minimum when bottom of wood or metal cabinet is protected by not less than 1/4" (6.4 cm) flame retardant millboard covered with not less than no. 28 MSG sheet steel, 0.015" (0.381 mm) stainless steel, 0.024" (0.610 mm) aluminum or 0.020" (0.508 mm) copper.

**15" (38.1 cm) minimum between countertop and adjacent cabinet bottom.