

# LTG4715\_

## Gas Double Oven Slide-in

**ProBake Convection®**

**EasyClean®**

**Glass Touch (SmoothTouch™)**

**WideView™ Window**

**Slide-in Design**

**Large Capacity (6.9 cu ft.)**

**SmartDiagnosis™**

**wi-fi Connectivity**



CAPACITY	
Total Oven Capacity (cu.ft.)	6.9
Upper Oven Capacity (cu. ft.)	2.6
Lower Oven Capacity (cu. ft.)	4.3
COOKTOP	
Burner/BTU - Left Rear	9100 / 9100
Burner/BTU - Right Rear	5000 / 5000
Burner/BTU - Left Front	12000 / 10000
Burner/BTU - Right Front	18500 / 12500 (UltraHeat™)
Center (Warming Zone) (BTU)	10000 / 10000 (Oval)
Burner Simmer / BTU - Left Rear	1100
Burner Simmer / BTU - Right Rear	650
Burner Simmer / BTU - Left Front	1200
Burner Simmer / BTU - Right Front	1330
Center (Warming Zone)	2300
Cooktop Finish	Stainless Steel
UPPER OVEN FEATURES	
Broil Element (BTU/h)	14,500 / 12,500 (LNG/LPG)
Bake Element (BTU/h)	14,500 / 12,500 (LNG/LPG)
Oven Cooking	Conventional
Oven Cooking Modes	Bake, Broil, Delay Bake, Delay Clean, Pizza
Oven Control Features	Glass Touch (SmoothTouch™) and Control Knob
EasyClean®	Yes
Self Clean	Yes
GoCook Smart Oven Light	Yes (1 Light)
No. of Rack Positions	2
Door Lock	Yes
Automatic Safety Shut-Down	After 12 hours
LOWER OVEN FEATURES	
Convection Burner (BTU/h)	14,000 / 12,000 (LNG/LPG)
Convection Conversion	Yes
Convection System/Mode/Cooking System	ProBake Convection®
Oven Cooking Modes	Bake, Convection Bake, Convection Roast, Favorites, Delay Bake, Delay Clean, Proof, Warm
Oven Control Features	Glass Touch (SmoothTouch™)
EasyClean®	Yes
Self Clean	Yes
GoCook Smart Oven Light	Yes (1 Light)
No. of Rack Positions	4
Door Lock	Yes
Automatic Safety Shut-Down	After 12 hours
CONTROL	
Cooktop Control Type	Front Tilt-Control Knobs
Oven Control Type	Glass Touch (SmoothTouch™) and Control Knob
Display	VFD

Language	English
Clock	12 hr or 24 hr (option)
Temperature Unit of Measure	Fahrenheit / Celsius
Cooking Complete Reminder Volume	Beeper
APPEARANCE	
All Available Colors	Matte Black Stainless Steel, Black Stainless Steel, Stainless Steel
Handle/Knobs	Matte Black Stainless Steel, Black Stainless Steel, Stainless Steel
Knobs	Aluminum
Oven Door Feature	WideView™ Window
PrintProof™ Finish	Yes (only LTG4715BM & LTG4715BD)
SMARTTHINQ®	
SmartDiagnosis™	Yes
wi-fi Connectivity	Yes
DIMENSIONS/CLEARANCES/WEIGHT	
Shipping Weight (lbs)	280
Product Weight (lbs)	225
Cabinet Width (in)	30"
Overall Depth (in) - including handle	28 15/16"
Overall Height (in) - including backguard	37 7/8"
Overall Width (in)	29 7/8"
Oven Interior Dimensions (Upper) (in) (W x H x D)	24 13/16" x 9 1/4" x 20"
Oven Interior Dimensions (Lower) (in) (W x H x D)	24 13/16" x 14 1/4" x 20"
Height to Cooking Surface (in)	36"
Carton Dimensions (in) (W x H x D)	31 31/32" x 51" x 30 17/32"
POWER/RATINGS	
Amp at 120V	8.3A
kW at 120V	996W
Requirements	120 VAC
ACCESSORIES	
Griddle Plate	Yes
Gliding Rack	1
Standard Rack	2
Wok Grate	Yes
Meat Probe	Yes
Spray Bottle	Yes
Scouring Pad	Yes
Conversion Kit	Yes
WARRANTY	
Parts & Labor	1 Year
UPC CODES	
LTG4715BM (Matte Black Stainless Steel)	048231339766
LTG4715BD (Black Stainless Steel)	048231339759
LTG4715ST (Stainless Steel)	048231339742

**LG COOKING**

# LTG4715\_

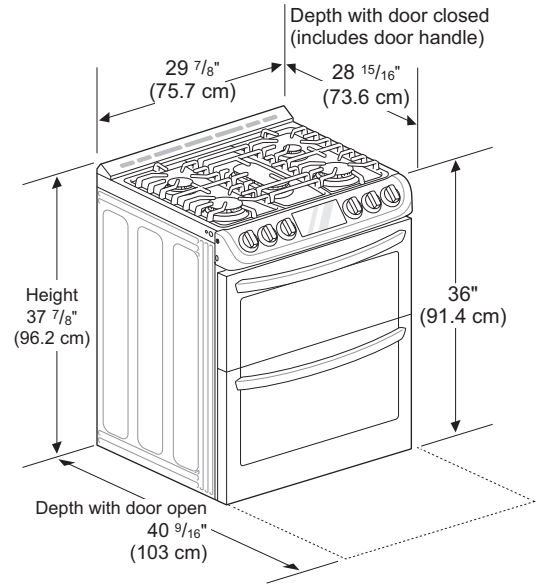
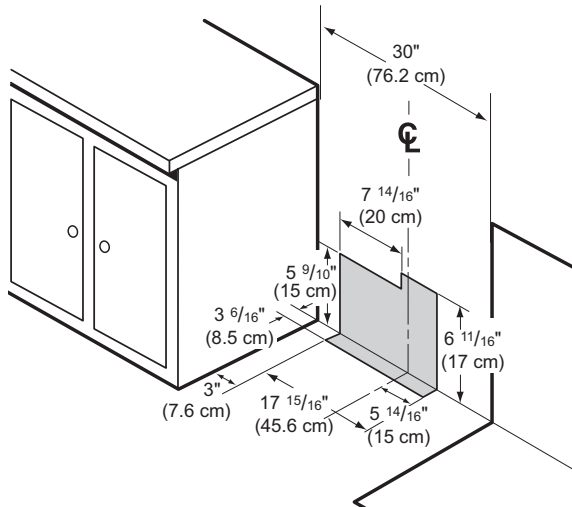
## Gas Double Oven Slide-in

### QUICK INSTALL & CLEARANCES

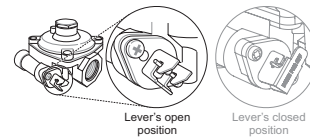
For full installation directions/clearances please refer to the corresponding User Manual and Installation Guide.

**DIMENSIONS/CLEARANCES/WEIGHT**

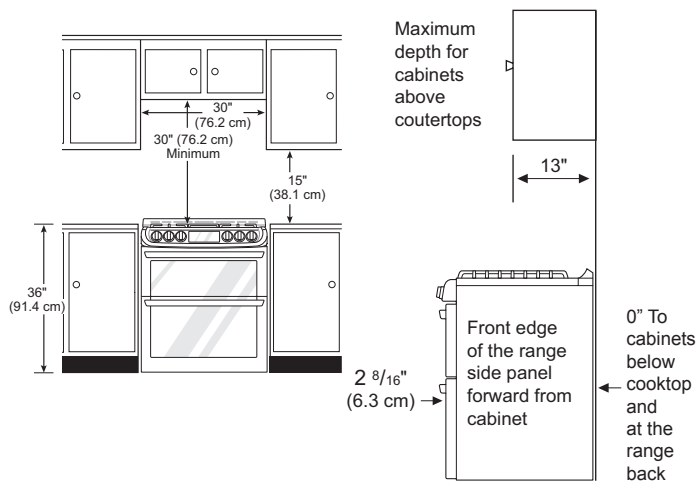
Cabinet Width (in)	30"
Overall Depth (in) - including handle	28 15/16"
Overall Height (in) - including backguard	37 7/8"
Overall Width (in)	29 7/8"
Oven Interior Dimensions (Upper) (in) (W x H x D)	24 13/16" x 9 1/4" x 20"
Oven Interior Dimensions (Lower) (in) (W x H x D)	24 13/16" x 14 1/4" x 20"
Height to Cooking Surface (in)	36"
Carton Dimensions (in) (W x H x D)	31 31/32" x 51" x 30 17/32"
<b>POWER/RATINGS</b>	
Amp at 120V	8.3A
kW at 120V	996W
Requirements	120 VAC

**DIMENSIONS**

**GAS PIPE AND ELECTRICAL OUTLET LOCATIONS**

**CONNECTING THE RANGE TO GAS**

- Shut off the range gas supply valve before removing the old range and leave it off until the new hook-up has been completed..
- Install a male 1/2" or 3/4" flare union adapter to the NPT internal thread of the manual shut-off valve, taking care to back-up the shut-off valve to keep it from turning.
- Install a male 1/2" flare union adapter to the 1/2" NPT internal thread at the inlet of the pressure regulator. Use a backup wrench on the pressure regulator fitting to prevent damage.
- Check that the gas pressure regulator valve is in the open position.



- Connect a flexible metal appliance connector to the adapter on the range. Position the range to permit connection at the shut-off valve.
- When all connections have been made, be sure all range controls are in the OFF position and the pressure regulator valve is open before turning on the main gas supply valve. Gas leaks may occur in the system and create a hazard. Gas leaks may not be detected by smell alone. Check all gas connection joints and fittings for leaks with a non-corrosive leak detection fluid, then wipe off.
- Gas suppliers recommend you purchase and install a UL approved gas detector. Install and use in accordance with the installation instructions.

**CLEARANCES**

**ELECTRICAL REQUIREMENTS**

- 120 Volt, 60 Hz, properly grounded dedicated circuit protected by a 15 or 20 Amp circuit breaker, or slow blow fuse.
- If an external electrical source is utilized, the appliance, when installed, must be electrically grounded in accordance with local codes or, in the absence of local codes, with the National Electrical Code, ANSI/NFPA 70.
- **IMPORTANT: FOR PERSONAL SAFETY, THIS APPLIANCE MUST BE PROPERLY GROUNDED.**

