

Innovation for a Better life



2023 | AIR CONDITIONER

2023
AIR CONDITIONER
LG HVAC SOLUTION



LG Electronics

<http://www.lg.com>
<http://partner.lge.com>

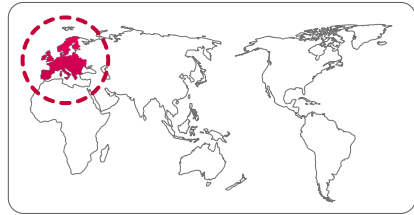
Copyright © 2023 LG Electronics. All rights reserved.

Distributed by



EUROPE SALES INFRASTRUCTURE

-  Europe B2B Regional Head Office
-  National Sales Office
-  Air Conditioning Academy
-  European Distribution Center
-  Europe Energy Lab
-  Production Site



GLOBAL PRODUCTION SITE



LG Energy Labs in Europe

LG Energy Labs are driven to fulfill the commitment of meeting all the requirements regarding energy efficiency and environmental demands. Each LG Energy Lab is an innovative site dedicated to provide essential commercial and residential products in heating, ventilation and the latest energy efficient air conditioning solutions. Additionally, as a showcase, the LG Energy Lab is equipped with complete monitoring and control systems. The performance of all products are tracked and analyzed by a team of Research and Development engineers based in France, Finland and Korea, ensuring maximum efficiency and reliability during the complete products' lifecycle.



European Air Conditioning Distribution Center

LG's European Air Conditioning Distribution Center is centralised in Oosterhout, the Netherlands. Supplying and delivering products to 15 countries in Europe, this Distribution hub has contributed to quick and seamless delivery, direct shipping for smaller orders and bespoke delivery to air conditioners. The hub tries to manage inventory efficiency by complying with the LG EU's established inventory pool.

TOTAL HVAC SOLUTION PROVIDER

Since manufacturing Korea's first air conditioner exclusively designed for residential use in 1968, LG has been a pioneer of air conditioning innovation. Encouraged by LG's technological leadership in the residential air conditioning sector since the late 1990s, LG moved into the commercial air conditioning sector.

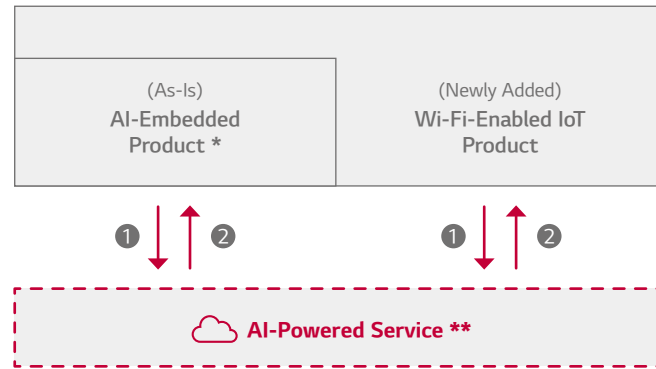
LG has established itself as an exemplary HVAC and energy solutions provider, investing in new technologies, with the addition of chiller, VRF systems and building management systems (BMS) to its comprehensive product portfolio. Alongside its wide range of innovative solutions, the LG promise is to deliver unparalleled customer service.

LG produces expert air conditioning professionals at its academic centers, of which there are nearly 80 worldwide. These academic centers provide workshops and training programs that offer excellent hands-on experience. Additionally, LG provides advanced and highly sophisticated tools for HVAC system engineers and installers, including its time saving LG Air Conditioner Technical Solution (LATS) software. LATS allows LG to support clients with draft energy estimation and energy modeling, model selection and design, lifecycle cost analysis and more to ensure a seamless process from planning to execution. LG also operates several state-of-the-art R&D facilities all across the planet.

Made Better with ThinQ™

With most people living lives that are more hectic than ever before, we see the enormous potential benefits new technologies will bring to the home. ThinQ links smart products together so that they can work in unison to make your home smarter and more connected. New levels of control and convenience simplify everyday life and free up time so that you can stay focused on what matters. Furthermore, transformative features and services with artificial intelligence will take home evolution one step further. ThinQ will provide more personalized and optimized solutions by learning your needs and preferences through its wide range of products. Get more done while doing less. ThinQ's Personalized Solution, Proactive Advice, Maximum Efficiency and Intuitive Control deliver an elevated, more intelligent lifestyle.

LG ensures its intelligent offerings, AI-powered products and services unlock new roles for homes that can play an important role for truly smart living. Think Wise. Be Free.



- ① Understanding users via data collection
- ② Providing tips & solutions through AI data analytics

* Previous ThinQ products-Requirement : evolving products with vocal/visual/product intelligence

** Examples of AI-Powered Service : -Usage guide/tips, Predictive maintenance, Auto/semi-auto setting (TBD)

Consumer Benefits



Intuitive Control

ThinQ adds convenience to your daily life by simplifying daily tasks. The ThinQ experience is reliable, flexible and effortless from setup to control and beyond. ThinQ products can be controlled from anywhere and at any time with simple voice-commands and a tap of the innovative ThinQ smartphone application. Meaning anywhere can be your home.



Maximum Efficiency

ThinQ minimizes energy consumption and can even track your energy usage and expenditure. Beyond mechanical advancements, ThinQ provides unrivaled energy efficiency by utilizing a combination of analytics, sensors and usage data.



Personalized Solution

ThinQ provides tailored recommendations and optimal settings, with your needs and preferences taken into account. Thanks to the power of AI, the same products can offer different experiences depending on your unique tastes and specific situations.

“
ThinQ:
A Brand for Products and
Services Incorporating
Advanced AI Technologies
”



INDEX

192

192 ~ 387

COMMERCIAL

Single split 194

Chiller 326

008

008 ~ 190

RESIDENTIAL

Wall mounted 018

Portable air conditioner 060

Heat pump water heater 068

Multi split 084

RESIDENTIAL

008 ~ 190

Wall mounted

Portable air conditioner

Heat pump water heater

Multi split



Enjoy A New Level Of Fresh Air

AirCare Complete System™

With today's technology, fast cooling, energy efficiency and basic filtration have become the standard benefits of an air conditioning unit. So how can customers decide what will work for them?

For us, it's simple. LG's AirCare Complete System™ combines a unique purifying technology, UVnano™, with an advanced filtration system.

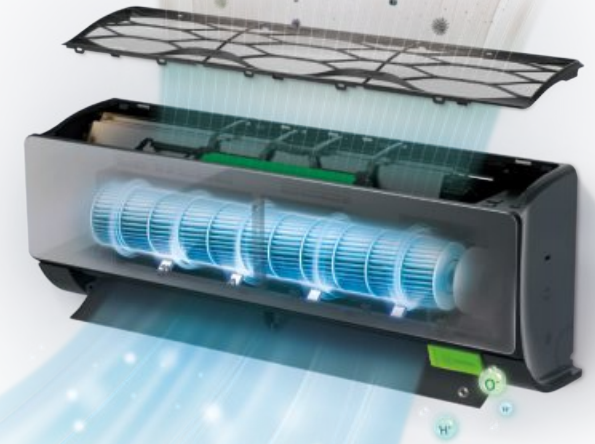


What is the **AirCare Complete System™**?

Filtering System

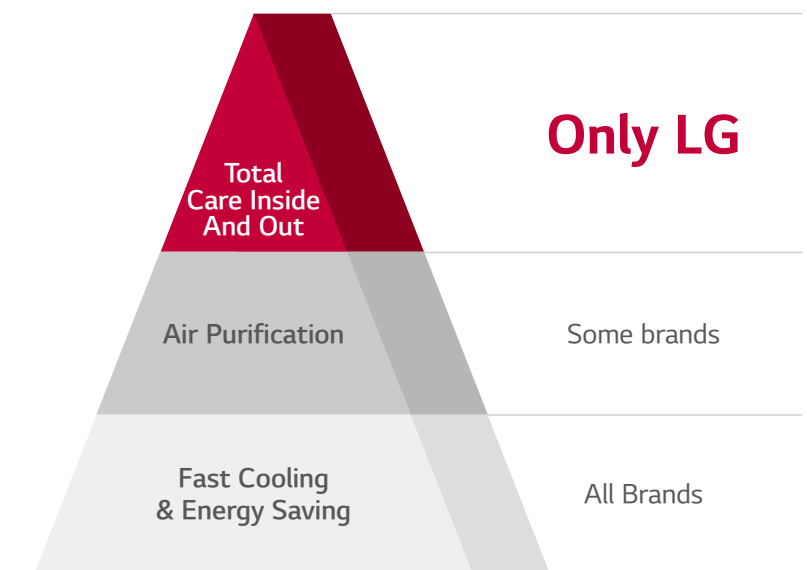
+

UVnano™



※ The Ionizer shape and color may be changed without notice.

Total Care Inside And Out



Enjoy A New Level Of Fresh Air

AirCare Complete System™

LG DUALCOOL, LG ARTCOOL brings the freshness of nature indoors. The AirCare Complete System™ uses a filtration process with UVnano™ and Ionizer technology that removes fine dust and bacteria, allowing customers to breathe healthy, purified air.

ART COOL™ MIRROR

Auto Cleaning

Automatically dries out any moisture collected in the unit to prevent the formation of harmful particles.

Pre-Filter™

Traps big dust particles from the start.

Allergy Filter

Removes allergy-causing substances, such as house dust mites, floating in the air.

UVnano™

Keeps your fan 99.99% bacteria-clean with UV LED light to ensure fresh and clean air is delivered.

Plasmaster™ Ionizer⁺⁺

Keeps the air cool and healthy by deodorizing the air as well as removing 99.9% of adhering bacteria.

※ The Ionizer shape and color may be changed without notice.

DUALCOOL™ DELUXE

Auto Cleaning

Automatically dries out any moisture collected in the unit to prevent the formation of harmful particles.

Pre-Filter™

Traps big dust particles from the start.

Allergy Filter

Removes allergy-causing substances, such as house dust mites, floating in the air.

UVnano™

Keeps your fan 99.99% bacteria-clean with UV LED light to ensure fresh and clean air is delivered.

Plasmaster™ Ionizer⁺⁺

Keeps the air cool and healthy by deodorizing the air as well as removing 99.9% of adhering bacteria.

※ The Ionizer shape and color may be changed without notice.

Anytime, Anywhere!

DUALCOOL powered by ThinQ with Voice Control



OK Google, turn on the air conditioner.

Sure, turning on



Key Feature

Enhance your daily life with ThinQ

Cool home when you arrive
"It would be wonderful if my place was already cool when I arrive."

Monitor monthly electricity bills
"How much have I been using the AC lately?"

Switch off AC after you've left
"Oh no! Did I remember to turn off the AC?"

No need to search for the remote control your AC with your phone
"Where's the remote control? I'm too lazy to go search for it."

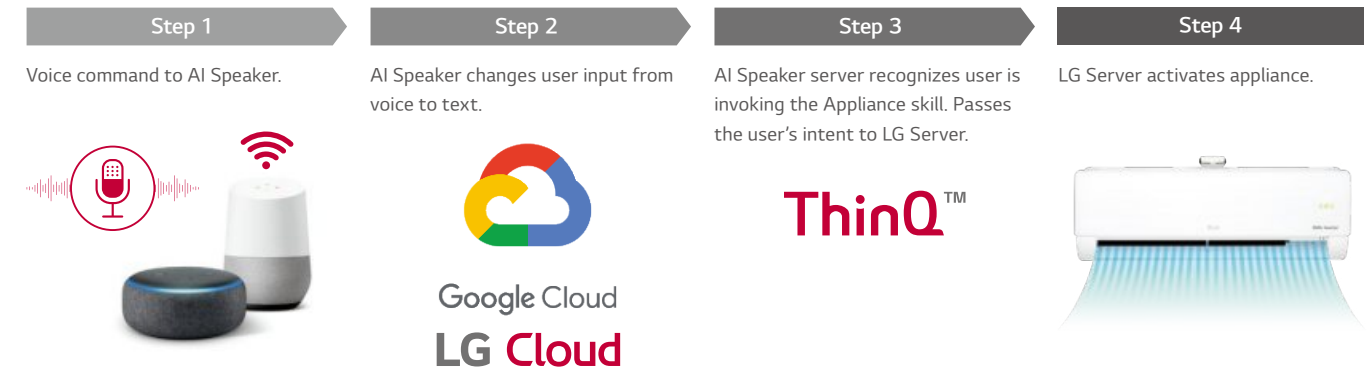
ThinQ™

Voice control for a better life

- Intuitive control for convenient, anytime, anywhere access
- Increased comfort that is accessible and simple for anyone
- Time saving without the burden of searching for the remote control

Simple voice control is convenient and accessible

Enjoy the time you'll save not searching for the remote control. DUALCOOL™ models are also compatible with AI speakers such as ThinQ with Google Assistant, Google Home and more. From now on, don't bother pressing any buttons. Use your voice instead.



※ Smart features and voice assistant product may vary by country and model. Check with your local retailer or LG for service availability.

Change The Nature Of Indoor Air
Breathe Fresh, Healthy Air
Enjoy A Breath Of Fresh Air



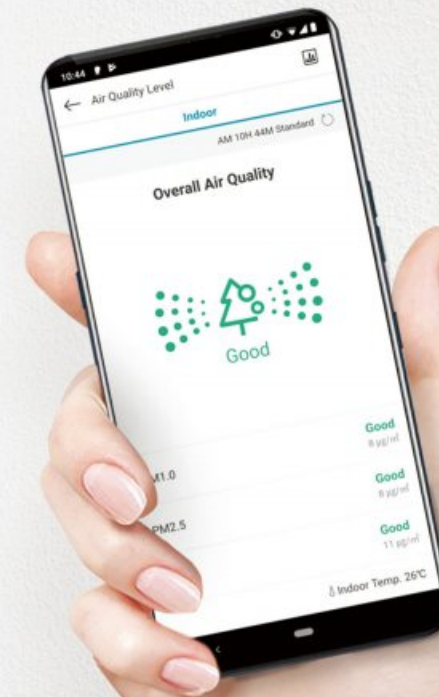
Cooling + Heating + Air purification
Comfort 365 days per year

Removes Ultrafine dust
Ion Diffuser & Micro Dust filtering system

Real-time control & monitoring
ThinQ App

DUALCOOL

with Air Purification



Key Feature

Air Conditioner and Air Purifier in One

PM 1.0 sensor is automatically activated and filtration system uses 5 million ions to capture and remove microscopic dust particles.



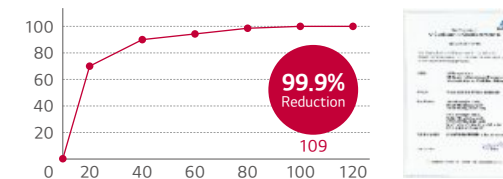
※ Smart features and voice assistant product may vary by country and model. Check with your local retailer or LG for service availability.

Reduction of 0.1 μ m (1/500 of hair) Micro Dust Up to 99.9%

Micro dust 0.1 μ m (100nm) can be removed up to 99.9% within 109 minutes.

Test Result

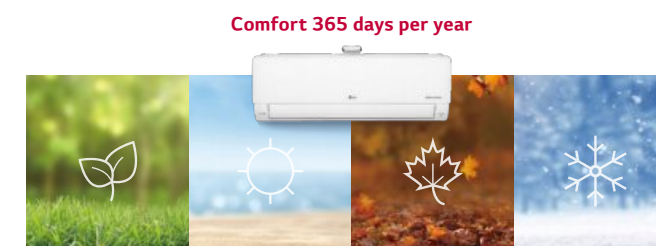
0.1 μ m (100nm) Air Purifying Performance Test



※ Test Condition
- Test Room size (W x H x D) : 4,000 x 3,000 x 2,500 (mm), Test model S3NM12JA1YB

Four Seasons of Breeze

Enjoy comfort in all four seasons with cooling, heating, and air purification.



Air Purification with Coverage Up to 29m²

Feel the difference in the air with coverage up to 29m².

Test Result

PM 2.5 Air Purifying Capability Test



※ Coverage vary depending on the product capacity.
Testing by TUV Verification, SJ : 27.4m², SK : 29.3m²

Conveniently Manage Air Quality with ThinQ App

Check out air quality history with ThinQ.














※ For our policy of continuous ThinQ App improvement, specification, design and features are subject to change without prior notice.














WALL MOUNTED



○ Single Split Only ● Compatible ● Multi Split Only

MODEL	kBTu kW	5	7	9	12	15	18	24	
		1.5	2.1	2.6	3.5	4.2	5.3	7.0	
ARTCOOL	Gallery				○ A09FT NSF	○ A12FT NSF			
	Mirror			● AM07BK NSJ	○ AC09BK NSJ	○ AC12BK NSJ	○ AC18BK NSK	○ AC24BK NSK	
	Color				○ AB09BK NSJ	○ AB12BK NSJ	○ AB18BK NSK	○ AB24BK NSK	
DUALCOOL	Prestige				○ F09MT NSM	○ F12MT NSM			
	Deluxe Hyper				○ HC09RK NSJ	○ HC12RK NSK			
	Air Purification				○ AP09RK NSJ	○ AP12RK NSJ			
	Deluxe			● DM07RK NSJ	○ DC09RK NSJ	○ DC12RK NSJ	○ DC18RK NSK	○ DC24RK NSK	
	Deluxe 2				○ DC09RT NSJ	○ DC12RT NSJ			
	Standard Plus		● PM05SK NSA	● PM07SK NSA	○ PC09SK NSJ	○ PC12SK NSJ	● PM15SK NSJ	○ PC18SK NSK	○ PC24SK NSK
	Standard 2			● MS07ET NSA	○ S09ET NSJ	○ S12ET NSJ	○ S18ET NSK	○ S24ET NSK	
	Standard				○ S09EQ NSJ	○ S12EQ NSJ	○ S18EQ NSK	○ S24EQ NSK	

○ Single Split Only ○● Compatible ● Multi Split Only

MODEL	kBTu kW	5	7	9	12	15	18	24
		1.5	2.1	2.6	3.5	4.2	5.3	7.0
ARTCOOL	Gallery				○ A09FT UL2	○ A12FT UL2		
	Mirror				○ AC09BK UA3	○ AC12BK UA3	○ AC18BK UL2	○ AC24BK U24
	Color				○ AB09BK UA3	○ AB12BK UA3	○ AB18BK UL2	○ AB24BK U24
DUALCOOL	Prestige				○ F09MT U24	○ F12MT U24		
	Deluxe Hyper				○ HC09RK UL2	○ HC12RK UL2		
	Air Purification				○ AP09RK UA3	○ AP12RK UA3		
	Deluxe				○ DC09RK UL2	○ DC12RK UL2	○ DC18RK UL2	○ DC24RK U24
	Deluxe 2				○ DC09RT UA3	○ DC12RT UA3		
	Standard Plus				○ PC09SK UA3	○ PC12SK UA3	○ PC18SK UL2	○ PC24SK U24
	Standard 2				○ S09ET UA3	○ S12ET UA3	○ S18ET UL2	○ S24ET U24
	Standard				○ S09EQ U	○ S12EQ UA3	○ S18EQ UL2	○ S24EQ U24

※ Refer to multi split line up for 5, 7, 15 kBTu indoor unit connection.

powered by
DUAL Inverter Compressor™

What is the Dual Inverter Compressor?

A compressor is the heart of an air conditioner. LG's Dual Inverter Compressor solves conventional compressor problems, resulting in an air conditioner that cools faster, lasts longer, and runs quieter.



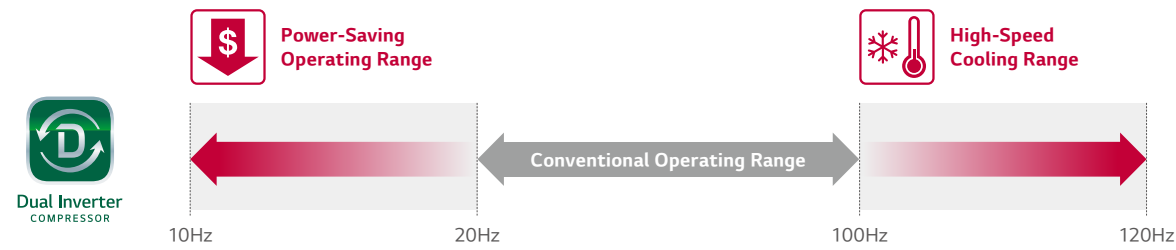
Product Reliability Improvement

The Dual Inverter Compressor reduces the vibration and with it the sound pressure levels. The reduction in vibration reduces the possibility of fractures occurring in the the surrounding pipework.

How it Works

Varied-Speed Dual Rotary

A compressor motor with a wider rotational frequency that is energy efficient and has a higher volumetric quick cooling capacity than any conventional compressors.



R32 Refrigerant

R32 refrigerant is a more eco-conscious refrigerant than the previous generation of refrigerants.

Pain Point

Due to accelerated global warming and the destruction of the ozone layer, various international conventions and meetings are held to enhance restrictions to the use of refrigerant or enforce the use of eco-conscious refrigerants. Internationally acclaimed for being eco-conscious, refrigerant R32 is advised for use in order to inhibit environmental destruction. This low volume refrigerant is more efficient than conventional ones and boasts a 68% reduced global warming potential.



Benefit

Eco-conscious refrigerants reduce environmental pollution.

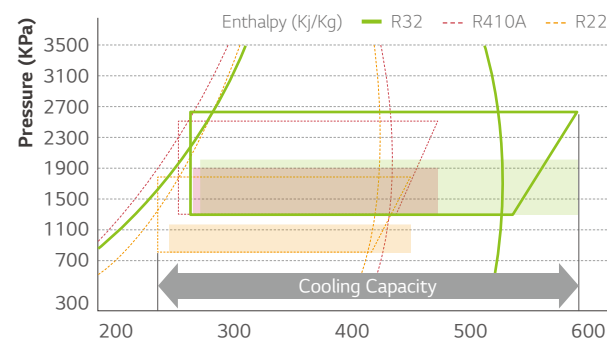
Alleviate Global Warming & Ozone Layer Destruction

In comparison to existing R410A refrigerant, R32 is more efficient while smaller volumes of it are needed, which results in a decreased potential contribution to global warming.

	R410A	R32
Composition	Blend of R32 50% + R125 50%	Pure R32 (No blend)
GWP (Global Warming Potential)	2087.5	675

High Compressibility

R32's high compressibility rate gives more powerful cooling performance and efficiency compared to existing refrigerants R22 and R410A.



UVnano™

LG DUALCOOL keeps the fan (inside the unit) 99.99% bacteria-free with ultraviolet light ensuring that the air passing through is clean too.

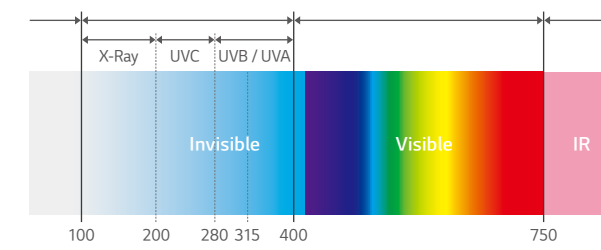
※ UVnano is an integrated marketing name that applies LG Electronics' entire home appliances and it is a compound of the words UV(ultraviolet) and nanometer (unit of length).

What is UVnano™ and How it Works?

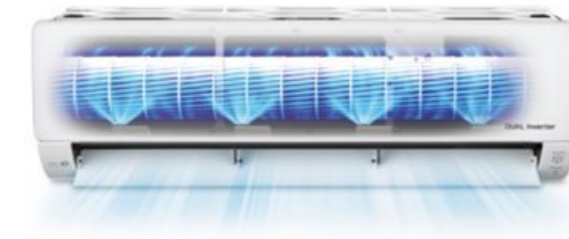
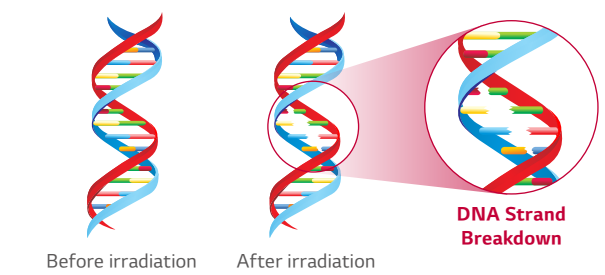
- Emit Ultraviolet rays of UVC wavelength directly damage the DNA of microorganisms (bacteria/mold/viruses) making it impossible for them to multiply.
- High absorption into DNA at 260 to 270 nm wavelengths

DNA Absorption Efficiency by Wavelength

Electromagnetic Spectrum and Types



Destruction Nuclear Sequence (Chain)

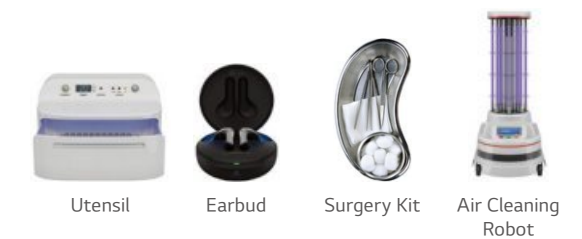


UVC Applied Product

LG Product



Various Product Lines



Benefit & Verification

Keep the fan 99.99% bacteria-clean for a cleaner breeze.

Test Result



Removes up to **99.99%** of bacteria from the internal fan.



※ Test Condition
 - Test Model : S3NM12JL1GA(SJ), S3NM24K21GA(SK)
 - Test Standard : LG test method with referenced to ISO 20743:2007
 - Bacteria : Staphylococcus aureus, Staphylococcus epidermidis, Klebsiella pneumoniae

Plasmaster™ Ionizer⁺⁺

The powerful Plasmaster™ Ionizer⁺⁺ efficiently eliminates bad odors, as well as Escherichia coli and Staphylococcus on the surface with over 8 million ions for a safer, cleaner indoor environment.

※ Specifications may vary for each model.
 ※ Depending on the experimental conditions.

How It Works

Reduction and Deodorization (Utilizes Over 8 Million Ions)

Plasmaster Ionizer⁺ reduces E.coli and Staphylococcus in the surface with over 8 million ions.

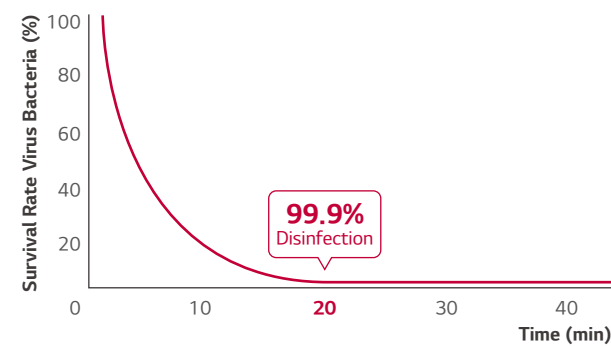


Ion Cluster Generation	Surrounding Harmful Substances	OH Radical Production	Chemical Reaction	Disinfection
Ions are released into air	H- and O- bond to harmful particles	OH radicals inactivate harmful substances	OH radicals bond with H particles	H ₂ O molecules are produced

Test Result

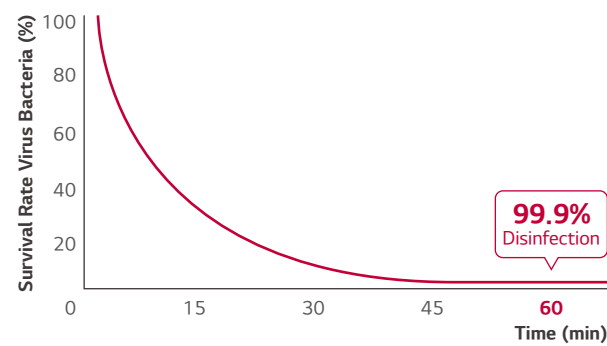
Reduction Performance Evaluations

Over 99.9% E.coli bacteria reduction in 20 min.



※ Test Conditions :
 Space : 30m³ Chamber (measuring with the specimen in the center of test chamber)
 Temperature & Humidity : Normal
 Bacteria : E coil colon bacillus
 Verified by Intertek & TÜV Rheinland

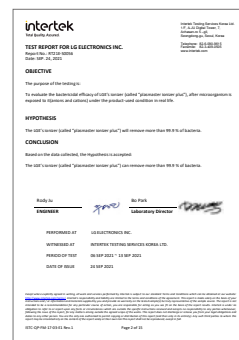
Over 99.9% staphylococcus sterilization in 60 min.



※ Test Conditions :
 Space : 30m³ Chamber (Measuring with the specimen in the center of test chamber)
 Temperature & Humidity : Normal
 Bacteria : Staphylococcus Aureus
 Verified by Intertek & TÜV Rheinland

Benefit & Verification

Based on the data collected the Hypothesis is accepted: The LGE's ionizer (called "plasmaster ionizer plus") can remove more than 99.9 % of bacteria (Escherichia coli, Pseudomonas aeruginosa, Staphylococcus aureus)

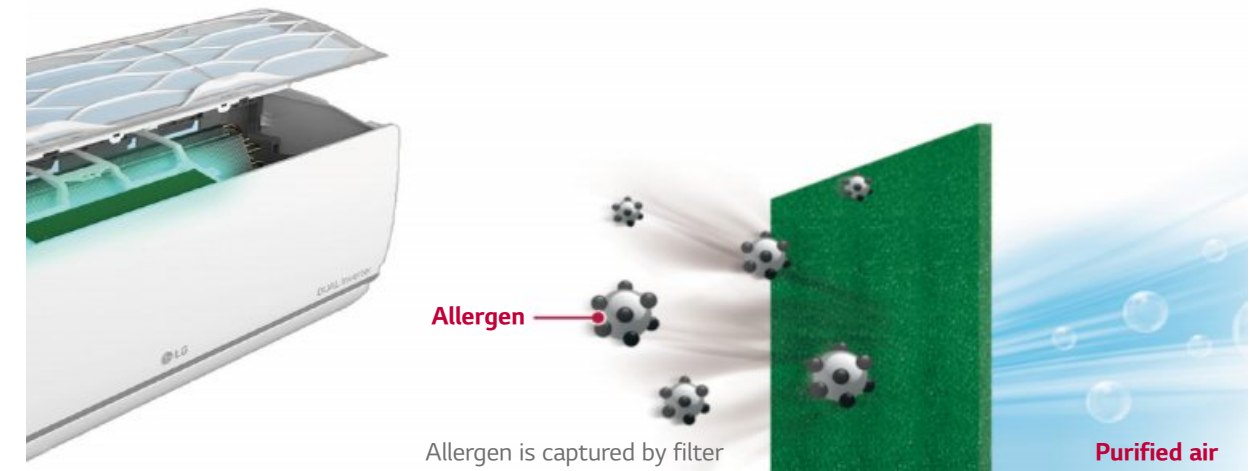


Allergy Filter

Airflow from an air conditioner can cause or contribute to symptoms associated with allergies or asthma. However, LG units boast an interior filter that can absorb such harmful as dust mites, pollen, fungi, and mold, that float throughout the air.

How It Works

Removes allergy-causing substances, such as dust mites that can be found in the air.



Certification



Certified by AllergyUK

* Test Condition Disclaimer
 A filter is coated to absorb harmful substances that can cause allergies. The air conditioner strongly absorbs indoor air and removes allergy-causing substances, such as house dust mite, fungi, mold, floating in the air.

Allergy UK (a world-renowned organization) is a British medical charity dedicated to helping adults and children with their allergies. The charity was founded in 1991 as the **British Allergy Foundation**, and in 2002 the operational name of the charity became Allergy UK. Allergy UK endorses certain products that restrict or remove high levels of allergens and gives them a Seal of Approval.

PM 1.0 Auto Sensor

As an air conditioner turns on, PM 1.0 sensor automatically operates to capture and remove microscopic dust particles including ultra fine dust.

※ Specifications may vary for each model. ※ Depending on the experimental conditions.

- AQI (Air Quality Index) is displayed in a unit of 1 within 8-999 $\mu\text{g}/\text{m}^3$.
- AQI (Air Quality Index) may continuously change according to changes in the indoor environment.
- Overall cleanliness color is displayed based on the highest contamination level among fine dust (PM10), ultra fine dust (PM2.5), and super ultrafine dust (PM1.0).
- If dust concentration is high, the difference between the displayed dust concentration and the actual dust concentration may increase.



During the operation, the indoor cleanliness in each level can be checked via PM SENSOR button.

Color	Level	Display standard ($\mu\text{g}/\text{m}^3$)		
		Super ultra fine dust (PM 1.0)	Ultra fine dust (PM 2.5)	Fine dust (PM 10)
Green	Good	12 or less	12 or less	54 or less
Yellow	Normal	13 - 35	13 - 35	55 - 154
Orange	Bad	36 - 55	36 - 55	155 - 254
Red	Very Bad	56 or more	56 or more	255 or more



Guide to dust particles' size

- Finedust : Dust with particle size of $10\mu\text{m}$ or less (Generated from workplace combustion, vehicle exhaust, etc.)
- Ultrafine Dust : Dust with particle size of $2.5\mu\text{m}$ or less (Composed of ion component, carbon compound, and metal compound)
- Super Ultrafine dust* : Dust with particle size of $1.0\mu\text{m}$ or less (Cigarette smoke, etc.)

AQI (Air Quality Index) evaluation is carried out with LG standard test dust.

* Minimum capturing size of particle : $0.02\mu\text{m}$

※ PM : Particulate matter is the sum of all solid and liquid particles suspended in air many of which are hazardous. This complex mixture includes both organic and inorganic particles, such as dust, pollen, soot, smoke, and liquid droplets.

Auto Cleaning

The interior of the air conditioner is maintained clean by drying off the heat exchanger, then cleaning the interior once more.

※ Specifications may vary for each model.

Pain Point

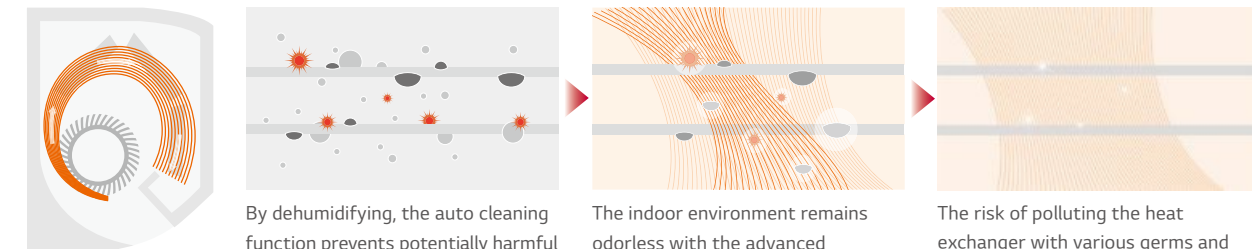
The main cause of odor within air conditioners is mold and bacteria growing on the heat exchanger. These germs can spread when the heat exchanger is wet.



How It Is Solved

Filter Cleaned with Regular Air Flow

The comprehensive auto cleaning function prevents the formation of bacteria and mold on the heat exchanger, providing an enhanced environment.



By dehumidifying, the auto cleaning function prevents potentially harmful substances from forming on the surface of the heat exchanger.

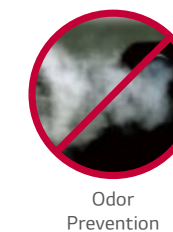
The indoor environment remains odorless with the advanced deodorizing function.

The risk of polluting the heat exchanger with various germs and bacteria is eliminated.

Benefit

Removes Harmful Particles

Auto Cleaning provides clean air by preventing bacteria, mold and odors that can otherwise accumulate in an indoor unit.



Embedded Wi-Fi

Control your air conditioners by using Android or iOS smartphones.

ThinQ

Download the ThinQ app from Google or Apple app stores.



How it Works

Embedded Wi-Fi modem

Turn on "ThinQ" on your air conditioner.



Benefit from the embedded Wi-Fi modem and enjoy unlimited innovation.



Wi-Fi Connectivity

Each individual member of your family can customize the air conditioner temperature and fan speed accordingly and then save the settings in their app to run it later. These settings can be saved for each air conditioner too.

Multiple Devices



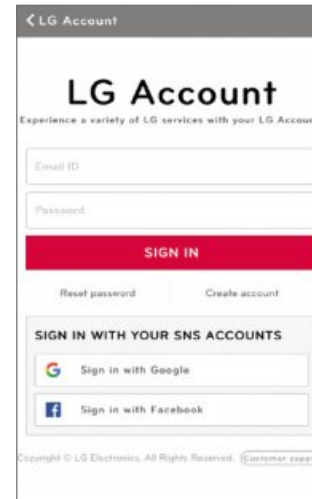
※ Can be controlled by multiple users, but not simultaneously.

Multi-Control



Easy Registration and Log-in

Follow the interactive set-up LG Account steps that will activate ThinQ's impressive features.



Benefit

Simple operation for various functions

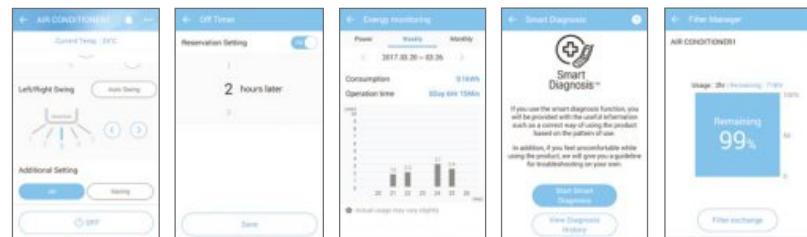


Energy Monitoring

Smart Diagnosis

Filter Management

Straight-forward management



Reservation

Energy Monitoring

Smart Diagnosis

Filter Management

※ For our policy of continuous ThinQ App improvement, specification, design and features are subject to change without prior notice.

Integrated Home Appliances Control

Monitor and control your LG appliances from one place.



Access your air conditioner anytime and from anywhere

with a Wi-Fi equipped device and LG's exclusive control app, ThinQ.



Smart Diagnosis

Smart Diagnosis allows you to monitor the health of your air conditioner remotely.

- ※ Specifications may vary for each model.
- ※ When connected to Multi ODU, Smart Diagnosis function may not be supported.

What is Smart Diagnosis?

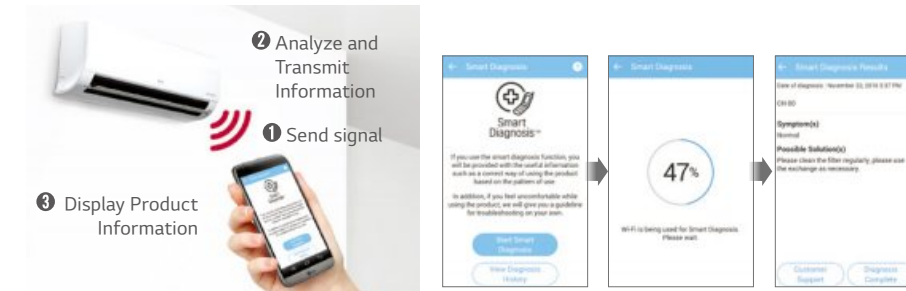
Smart Diagnosis allows users to conveniently check setup, installation, troubleshooting and other information directly from a smartphone.

- ※ Builds upon widespread smartphone use and offers greater USP diversification
- ※ Perfect for consumers who are unable to view information about their air conditioner via a display or remote control.

How it Works

Embedded Wi-Fi Model

By using "ThinQ" App and clicking "Start Smart Diagnosis", monitor and check diagnosis results conveniently via Wi-Fi.



Non Embedded Wi-Fi Model



Benefit

Easily comprehensible error messages make detecting a solution and contacting the service center simple and convenient.

Customer

Installer and SVC

ThinQ™
ThinQ server

For Consumer

- Easily check operational status of a product without a display or one that provides limited information.
- Save energy by monitoring key operational information and power consumption.
- Using the Maintenance Guide helps to improve device performance and increase product life-span.

For Installer and SVC

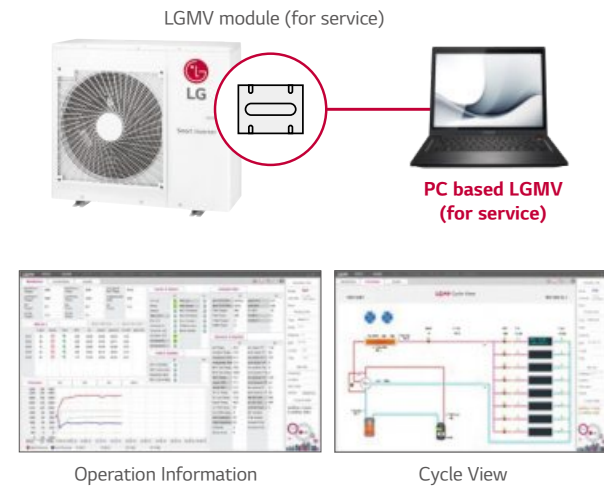
- Understand the product better by easily confirming operational status and information.
- Intuitively diagnose problems by comparing current and past usage data.
- Maintain installation capabilities and reduce installation errors by quickly confirming device operational status.

※ For our policy of continuous ThinQ App improvement, specification, design and features are subject to change without prior notice.

Mobile LGMV (Monitoring View)

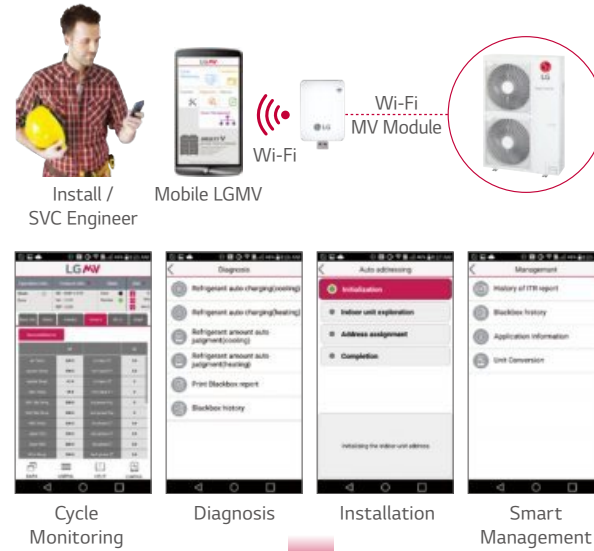
LG MV helps engineers to inspect (Diagnosis) and monitor air conditioning units easily by your Smartphone or PC.

PC Version



PC based LGMV (for service)

Smartphone Version



Install / SVC Engineer

Mobile LGMV

Wi-Fi

Wi-Fi

MV Module

Cycle Monitoring

Diagnosis

Installation

Smart Management

- IDU & ODU Information
- Cycle & Valves
- Sensors & Electricity
- Cycle Diagram
- Actuator Information

A technician not only can check the cycle information with diagrams & graph, but also check easily the error status (Troubleshooting guide) and take action immediately.

※ Search "Mobile LGMV" on Google or Apple store then download the app.
 ※ Wi-Fi modem (PWFMD200) is required by option.

Low Refrigerant Detection

Early notification of low refrigerant protects your air conditioner from the risk of damage.

※ Specifications may vary for each model. ※ Depending on the experimental conditions.
 ※ When connected to Multi ODU, Low Refrigerant Detection function may not be supported.

How It Works

Early Detection of Low Refrigerant Levels

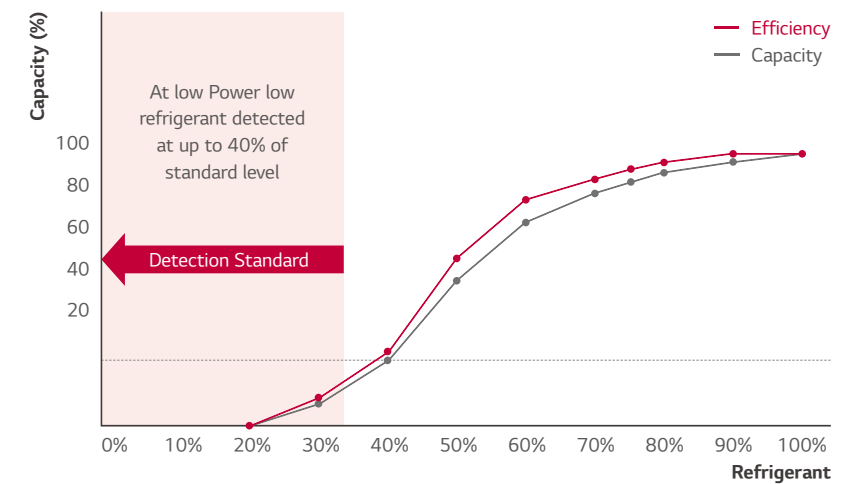
The Air Conditioner is automatically shut down when low refrigerant level is detected.

3 Checkpoints for Low Refrigerant Level :

- 1) The heat exchanger temperature is comparatively cool
- 2) The outdoor unit is working properly
- 3) The energy consumption is working under a standard pattern

If any of the above conditions are not met, for a maximum of 4 times, after 15 minutes of Air Conditioner operation, a low refrigerant level is detected and the Air Conditioner is shut down.

Capacity and Effectiveness of the Refrigerant Levels



※ This function only works under the following conditions
 - Indoor/Outdoor temperature is at least 20 degrees Celsius
 - Cooling and dehumidification mode

Benefit

Longer Lifespan for Air Conditioner



When low refrigerant Level is detected, it alternately shows CH and 38 on the display.

※ Some models show CH and 38 alternately on the display.

Supreme Energy Efficiency

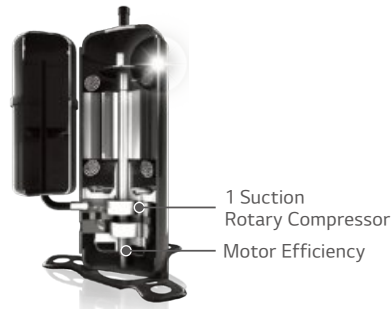
LG's revolutionary Inverter technology boasts powerful yet quiet performance while minimizing energy consumption. With world-class energy efficiency, enjoy comfort as well as energy savings.

※ Based on F09MT Model ※ Specifications may vary for each model.

High Efficient Compressor and Reversing Valve

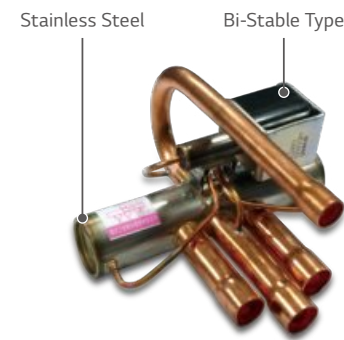
Rotary Compressor and Motor Efficiency

The number of suction connections has been reduced from two to one to increase the efficiency of the refrigerant compression during low speed conditions. The DC motor in LG air conditioners remains unsurpassable, demonstrating one of the world's top class efficiencies.



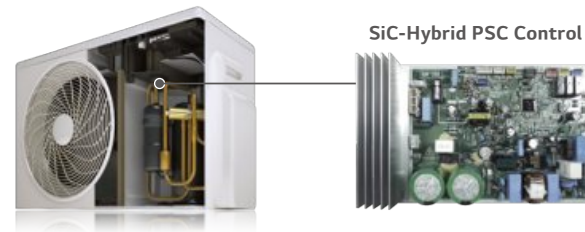
Bi-Stable Reversing Valve

The Input power of 4 way valve has been reduced to 0W by using a Bi-Stable type.



Improved Inverter Drive Efficiency

The time of current flow is optimized by controlling the number of converter switches according to energy consumption status. The improved inverter demonstrates comparatively higher performance and advanced energy efficiency than a conventional Inverter air conditioner achieved by reducing power loss with an advanced material component called SiC.



Energy Display

LG's Energy Display panel monitors the amount of energy levels used. Reduce energy consumption while enjoying a comfortable indoor environment by checking your energy level directly on the AC panel.

※ Specifications may vary for each model. ※ When connected to Multi ODU, Energy Display function may not be supported.

How it Works

Magic Display & Remote Control

With the push of a button on the remote control, indoor unit's LCD display shows the current and total energy use, thus making the users aware of reducing energy consumption.



Benefit

Normal Mode

Current Setting Temp.



Electric Power

Displays Current Energy Use

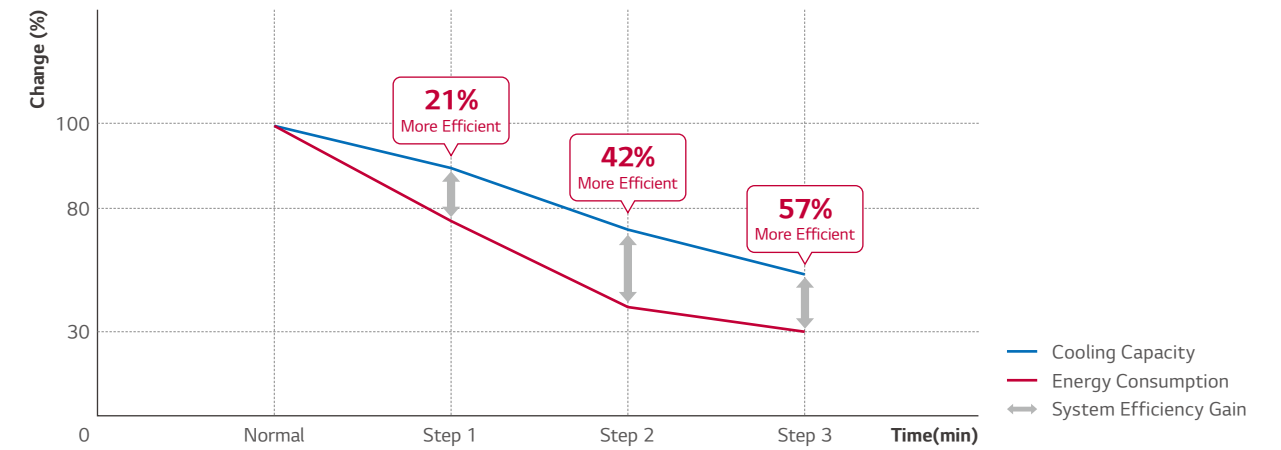


Active Energy Control 4 - Step

LG's Active Energy Control adjusts the energy consumption level and cooling capacity by controlling maximum frequency of the compressor motor.

※ Specifications may vary for each model. ※ Depending on the experimental conditions.
 ※ When connected to Multi ODU, Active Energy Control function may not be supported. ※ Active Energy Control works only cooling mode.

Concept & Benefit

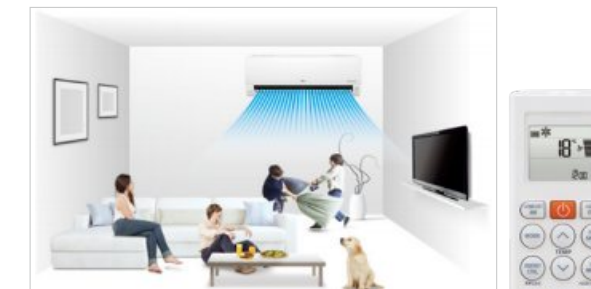


※ Test Conditions : Normal Temperature (Indoor Temperature at the Cooling Mode : 28°C, Outdoor Temperature : 32°C)
 ※ Test Model : DC12RH

How It Works

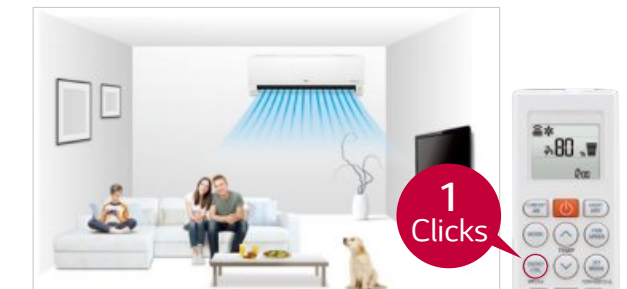
NORMAL 100% energy usage

Many people and high-activity level.



STEP 1 80% energy usage

Few people and moderate-activity levels.



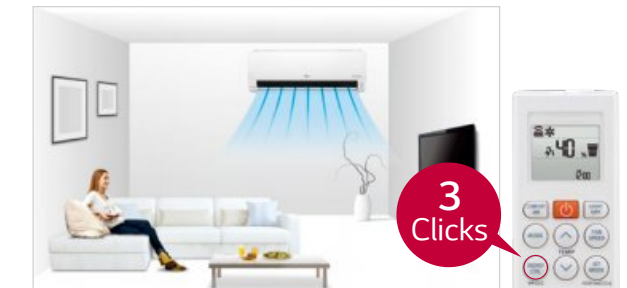
STEP 2 60% energy usage

Fewer people and low-activity levels.



STEP 3 40% energy usage

The fewest people with no activity.



Comfort Air (Indirect Air)

LG provides pure hygienic and temperature regulated atmosphere surrounding your living space. An automatic vane angle adjustment sets perfect vane angle and air volume.

※ Specifications may vary for each model.

Concept

Comfort Air changes the air flow angle to ensure that air is directed away from occupants to promote more comfortable environment optimized for sleeping and more.

How It Works

Control Panel



Remote Control

Comfort Vane

This option conveniently sets an AC's louvers to a preset position so that outflowing air is directed away from the room's occupants.



1 touch Comfort Air

2 touch Comfort Air

Scene 1: Inclines to 80° angle maximum.
Sets vane angle to the highest position :
Optimized for gentle airflow cooling.

Indoor Unit Display



Remote Controller Display



Scene 2: Declines to 10° angle maximum.
Sets vane angle to the lowest position :
Optimized for gentle airflow heating.

Indoor Unit Display



Remote Control Display



4 Way Swing

Cool air reaches out to the entire room regardless of where the air conditioner is installed.

※ Specifications may vary for each model.

How It Works

6-Step Vane, Control up to 70°

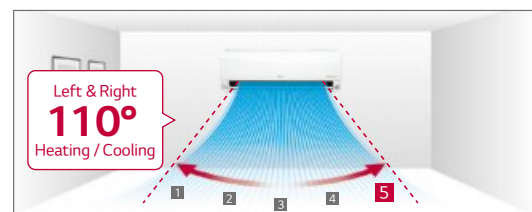
The vertical vane, which moves up and down, has 6 different settings including full-auto swing.



Up & Down
70°
Heating

5-Step Louver, Control up to 110°

The louver, which sways left and right, has 5 different settings including full auto-swing.

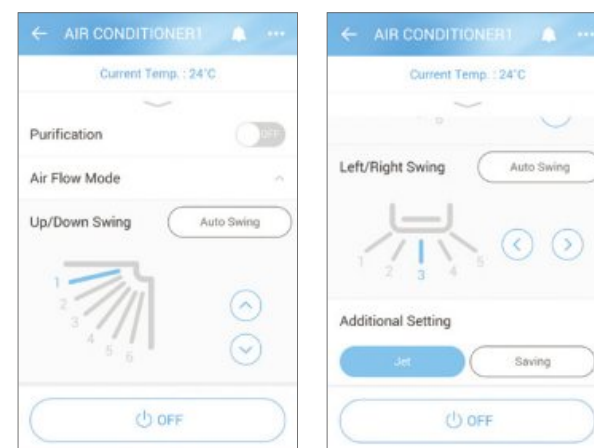


Left & Right
110°
Heating / Cooling

※ Angle can be different from each model and working mode.

Easy and Simple Control

Airflow direction can be changed by ThinQ Wi-Fi app.



Up/Down Swing

Left/Right Swing

※ For our policy of continuous ThinQ App improvement, specification, design and features are subject to change without prior notice.

Low Noise

LG air conditioners operate at 19dB low noise level.

※ Specifications may vary for each model.

How It Works

LG's Unique Skew Fan

By minimizing the surface pressure of the fan blade when in contact with the air, the noise produced by the air conditioning unit is reduced to a remarkably low level.



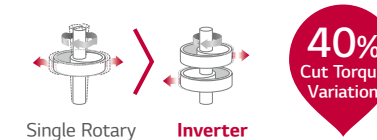
Conventional

Skew Fan

15%
Tilted
Stabilizer

ALVC (Active Low Vibration Control)

A speed-error component estimates the load to compensate for imbalances, which are the primary causes of vibration and noise, enabling the rotation of the motor without vibration at low Hz levels.



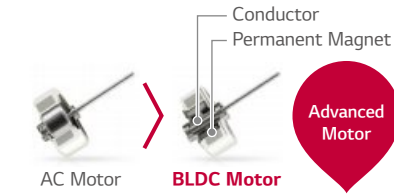
Single Rotary

Inverter

40%
Cut Torque
Variation

BLDC Fan Motor

With strong torque and powerful ND magnetism as well as precise speed control of 13 different steps for smooth operation, the BLDC motor provides substantial air volume and high static pressure, while keeping electrical and mechanical noise lower, and making high-speed operation available.



AC Motor

BLDC Motor

Advanced
Motor

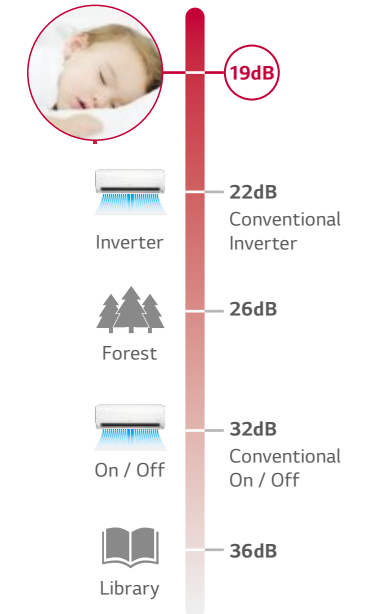
Conventional AC Motor

- Low efficiency.
- Heat problem during overhauling.
- Difficult precise speed control.

BLDC Motor

- Low electric and mechanical noise.
- Durable precise speed control.

Benefit



Quick & Easy Installation

LG air conditioners are designed for easy and efficient installation, making it possible to install several units in a short period of time.

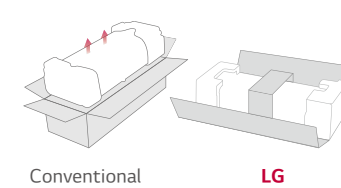
※ Specifications may vary for each model.

Concept

By reducing the manpower and time required for installation, it is now possible to install more units in less time.

How It Works

One Simple Packing Box

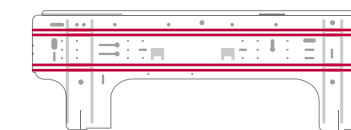


Conventional

LG

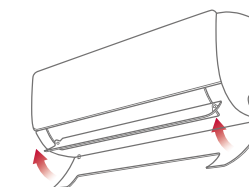
Installation Plate Improvement

LG's installation plate is larger and customized to reduce installation time.



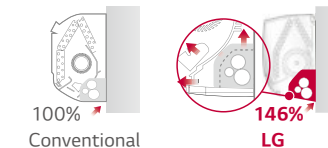
Detachable Bottom Cover

The air conditioner's bottom cover is detachable for easier installation and access.



Wider Tubing Space

The space provided for tubing facilitates the whole installation process and hides the unorganized parts, making it appear clean and tidy.

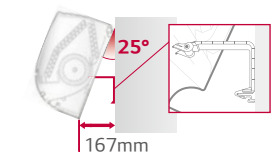


100%
Conventional

146%
LG

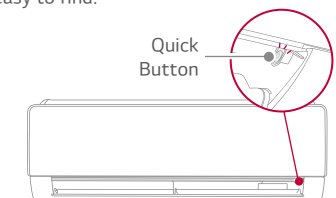
Installation Support Clip

A support clip creates adequate space between the wall and the unit for easier installation.



Quick button for running test

The test button is conveniently located and easy to find.



Quick
Button

Silent Mode

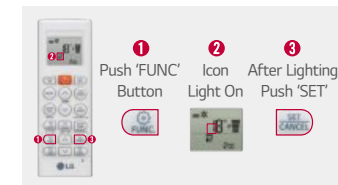
Silent mode ensures a tranquil and serene experience for the user by reducing noise disturbances when your client is resting.

- ※ Specifications may vary for each model.
- ※ Depending on the experimental conditions.
- ※ When connected to Multi Outdoor unit, Silent Mode is working by simply setting the dip switch on the PCB of the outdoor unit.

How It Works

In Silent Mode, the overall sound level of the outdoor unit drops by up to 3dB and the sound level of the indoor unit also decreases.

Press the Silent Button

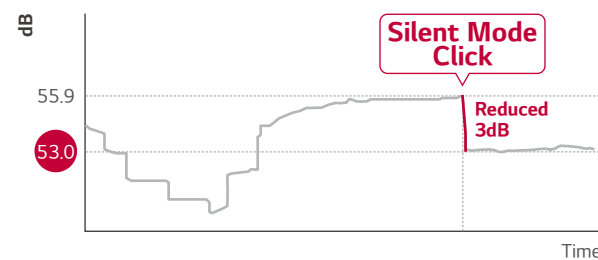


Controls the Outdoor Compressor



Test Result

Noise Comparison Graph



- ※ Test Conditions
- Spec : Selecting Silent Mode reduces the noise of an outdoor fan unit by 3dB.
- Assessment : 36.2 dB emitted from center/side of unit at a distance of 1m.

10-Year Inverter Compressor Warranty

With confidence in product quality and a desire to enhance the lives of customers, LG provides a 10-year warranty on the Residential Air Conditioners' Inverter Compressor.

- ※ Specifications may vary for each model.

What is the 10 Year Warranty?

With the 10-year warranty on the compressor, users can be assured of the functionality of our product for a longer period of time.



Benefit & Verification

Reliable Air Conditioner

The product safety is guaranteed with a 10-year warranty offered to customers.

Verification

TUV Rheinland, Long Term Accelerated-reliability Test & High Marginal Test



Single Rotary Type Twin Rotary Type

- ※ Long Term Accelerated-Reliability test
LG's unique testing method with reinforced operating condition for a product life assurance to test and determine the product life cycle in a short period of time by accelerating the life cycle.
- ※ High Marginal Test
Test method to secure durability in various adverse conditions that may occur in the field by performing compressor reliability test against higher pressure and temperature than the designed range of pressure and temperature which the compressor operates in.
- ※ Verification obtained from TUV Rheinland for 10-year product life cycle.

**DUAL
INVERTER
COMPRESSOR**

**10
YEAR
WARRANTY**

Gold Fin™

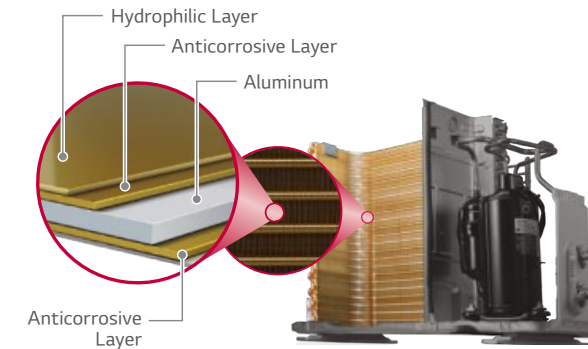
The Gold Fin™ coating protects the surface of the heat exchanger from unnecessary wear and corrosion.

- ※ Specifications may vary for each model.
- ※ Depending on the experimental conditions.

How It Works

Corrosion-resistant protective layer

The gold-colored special coating on the fin of the heat exchanger prevents corrosion, extending the life of the unit.



Test Result

Conventional Fin



Gold Fin™



TUV Verify that the corrosion improved "Gold II Fin" has less than 0.05% corrosion area after 5000 hours salt spray test. TUV has verified that the corrosion area of Gold Fin™ is not more than 0.05% (over R.N. 9.5)

- ※ Test Condition
- Test standard : ISO9227:2017, ISO10289:1999, ASTM B 117 Salt spray test
- Test Sample : Al Fin sheet (100µm, 70 X 150 mm) + Organic Coating (1.65g/m²)
- Setting Condition : (35±2)°C, 6.5 ~ 7.2 pH, (5±1)% NaCl salt fog spray, 5000 h
- Test Result : Not More than 0.05% of corrosion area ratio. (over R.N. 9.5)

Fast Cooling

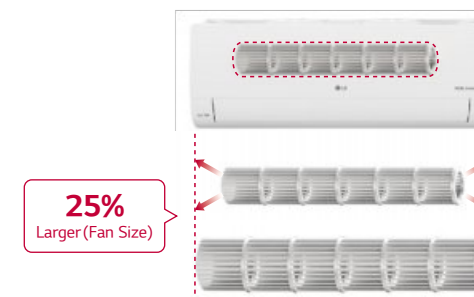
The cool airflow rapidly reaches all the corners of the room, keeping the space cool and comfortable.

- ※ Specifications may vary for each model.
- ※ Depending on the experimental conditions.

Pain Point

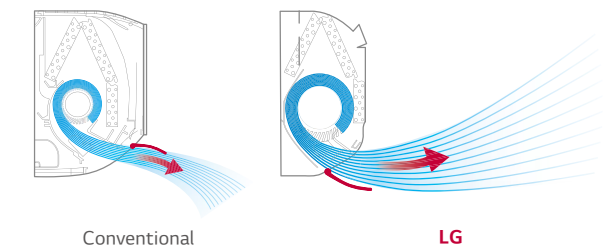
Bigger Skew Fan

A 25% larger skew fan emanates highly powerful blasts of air.



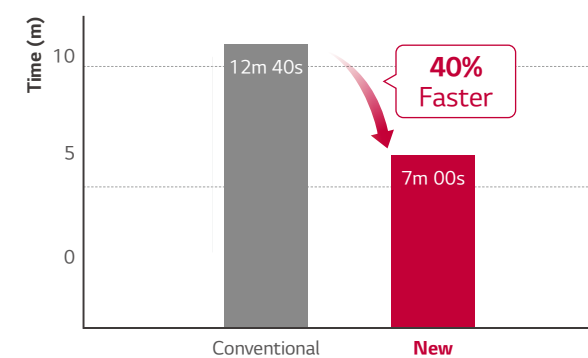
Cooling Outlet

A larger, optimally designed cooling outlet emanates to large areas and cools spaces faster.



Test Result

Test Result



- ※ 26.5°C Reach Time Comparison
- ※ Test Model
- Conventional : TS-H2465DA0
- New : US-Q242Kxy0
- ※ Test Conditions :
- Indoor temperature 33°C, Outdoor temperature 35°C,
- Relative humidity 60%, Setting temperature 26°C
- Test room size : 4.3 m * 7.0 m * 2.3 m

Jet Cool

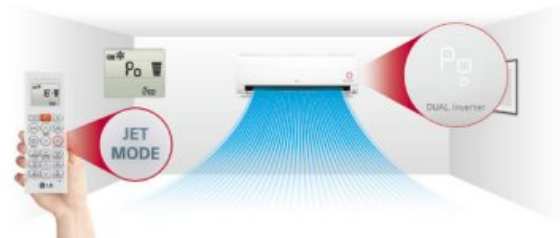
The cool airflow reaches all the corners of the room, keeping the space cool and comfortable.

※ Specifications may vary for each model. ※ Depending on the experimental conditions.

How It Works

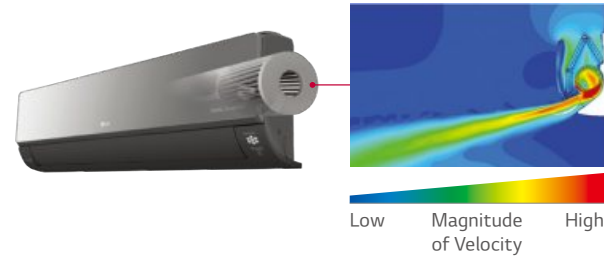
One Click "Jet Mode"

Reduces the temperature of outflowing air to 18°C for 30 minutes with just one click.



More Powerful Performance

By reducing the second vortex, which decreases airflow within the air outlet, and enlarging the fan size, the amount of airflow is increased to 13.0 CMM.



Fast Heating

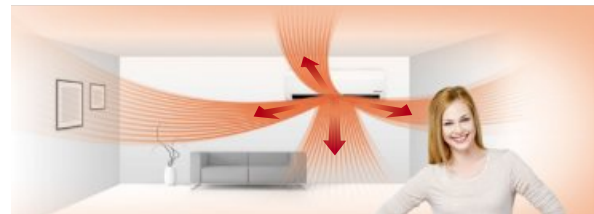
LG Residential Air Conditioners satisfy your client's while consuming less energy, by heating a wider space in a shorter period of time to create a warm and comfortable living environment.

※ Specifications may vary for each model. ※ Depending on the experimental conditions.

How It Works

4 Way Auto Swing (Easy Airflow Control)

4 Way Auto Swing adjusts airflow based on the surrounding environment, allowing for optimal distribution of warm air to living areas and enabling quick heating.



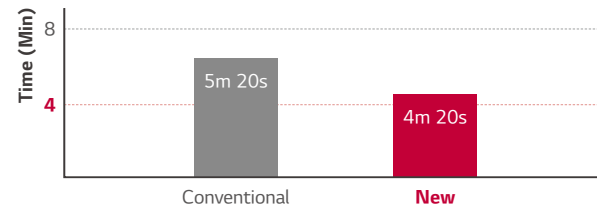
Vertical Airflow

When heating, the vane sends heated air downwards to maintain a pleasant and balanced room temperature.



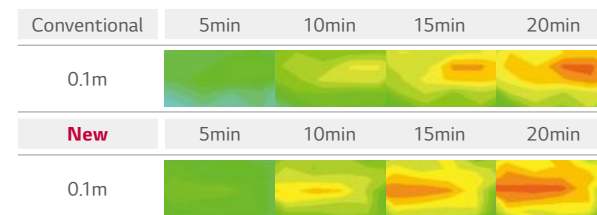
Benefit & Test Result

22% Quick Heating

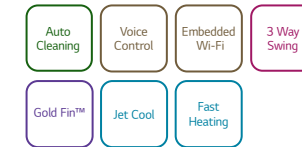


※ Test Conditions :
Outdoor temperature : 7°C, Indoor temperature : 12°C,
Humidity : 87%, Remote control : 30°C Power

Changes in Temperature Over 20 Minutes



※ Test Conditions :
Outdoor temperature : 7°C, Indoor temperature : 12°C,
Humidity : 87%, Remote control : 30°C Power



LG participates in the ECP programme for EUROVENT AC program. Check ongoing validity of certification : www.eurovent-certification.com

Single Combination

UNIT				9K	12K
INDOOR				A09FT NSF	A12FT NSF
Capacity	Cooling	Min. / Rated / Max.	kW	0.89 / 2.50 / 3.70	0.89 / 3.50 / 4.04
	Heating	Min. / Rated / Max.	kW	0.89 / 3.30 / 4.10	0.89 / 4.00 / 5.10
Power Input	Heating -7°C	Rated	kW	3.20	3.50
	Cooling / Heating	Rated	W	658 / 831	1,050 / 1,108
EER			W/W	3.80	3.33
S.E.E.R.				6.80	6.60
P design C			kW	2.50	3.50
COP			W/W	3.97	3.61
S.C.O.P		(Average / Warmer)		4.00 / 4.60	4.00 / 4.60
P design H (Average / Warmer)			kW	2.70 / 1.50	2.70 / 1.50
Energy Label (A+++ to D Scale)	Cooling			A++	A++
	Heating	(Average / Warmer)		A+ / A++	A+ / A++
Annual Energy Consumption	Cooling		kWh	129	186
	Heating	(Average / Warmer)	kWh	945 / 457	945 / 457
Sound Pressure	Cooling	S / L / M / H	dB(A)	27 / 35 / 39 / 45	27 / 35 / 39 / 45
	Heating	L / M / H	dB(A)	35 / 39 / 45	35 / 39 / 45
Sound Power	Cooling		dB(A)	60	60
	Heating				
Air Flow Rate	Cooling	S / L / M / H / Max. (Power)	m³/min	6.0 / 7.6 / 9.0 / 10.0	6.0 / 7.6 / 9.0 / 10.0
	Heating	L / M / H	m³/min	6.1 / 7.8 / 9.3	6.1 / 7.8 / 9.3
Dehumidification Rate			l/h	1.1	1.3
Running Current	Cooling	Min. / Rated / Max.	A	1.10 / 3.20 / 6.00	1.10 / 4.90 / 6.00
	Heating	Min. / Rated / Max.	A	1.10 / 4.10 / 7.00	1.10 / 5.10 / 7.00
Starting Current	Cooling / Heating	Rated	A	3.20 / 4.10	4.90 / 5.10
Power Supply		Ø / V / Hz		1 / 220-240 / 50	1 / 220-240 / 50
Circuit Breaker		A		15	15
Power Supply Cable		N x mm²		3 x 1.0	3 x 1.0
Power & Transmission Cable		N x mm²		4 x 1.0 (Including Earth)	4 x 1.0 (Including Earth)
Dimension		mm		600 x 600 x 146	600 x 600 x 146
Net Weight		kg		14.4	14.4
Fan Motor Output		W		16.7	16.7
OUTDOOR				A09FT UL2	A12FT UL2
Operation Range	Cooling	Min. / Max.	°C DB	-15 / 48	-15 / 48
	Heating	Min. / Max.	°C DB	-10 / 24	-10 / 24
Sound Pressure	Cooling / Heating	High	dB(A)	51 / 51	51 / 51
Sound Power	Cooling	High	dB(A)	65	65
Air Flow Rate		High	m³/min	35	35
Piping	Liquid (ODU / IDU)	Min. / Max.	m	3 / 20	3 / 20
	Elevation (ODU / IDU)	Min. / Max.	m	10	10
Piping Connection	Liquid	OD (Outside)	mm (inch)	6.35 (1/4)	6.35 (1/4)
	Gas	OD (Outside)	mm (inch)	9.52 (3/8)	9.52 (3/8)
Drain Hose Size		OD (Outside)	mm (inch)	21.5 (27/32)	21.5 (27/32)
Refrigerant	Type			R32	R32
	Charge at 7.5m		kg	0.800	0.800
	Additional Charge		t-CO ₂ eq	0.540	0.540
Fan Motor Output			g/m	20	20
	Compressor Type			675	675
Compressor Type			W	43	43
Net Weight			kg	34.4	34.4
Dimension			mm	770 x 545 x 288	770 x 545 x 288
ACCESSORIES & OTHERS					
Multi Compatible				-	-
PI 485				Y	Y
Dry Contact				Y	Y
Wired Remote Controller				-	-

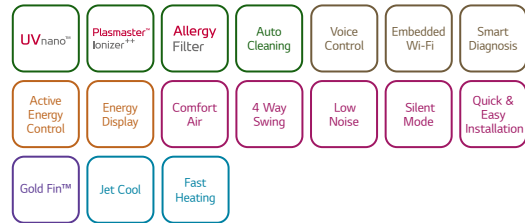
※ This product contains Fluorinated greenhouse gases (R32).

※ S : Sleep / L : Low / M : Medium / H : High

※ GWP : Global warming potential

※ t-CO₂eq : F-gas(kg)*GWP/1000

※ Specification, design and feature are subject to change without prior notice.



LG participates in the ECP programme for EUROVENT AC program. Check ongoing validity of certification : www.eurovent-certification.com

Single Combination

UNIT				9K	12K	18K	24K
INDOOR				AC09BK NSJ	AC12BK NSJ	AC18BK NSK	AC24BK NSK
Capacity	Cooling	Min. / Rated / Max.	kW	0.89 / 2.50 / 3.70	0.89 / 3.50 / 4.04	0.90 / 5.00 / 5.50	0.90 / 6.60 / 7.42
	Heating	Min. / Rated / Max.	kW	0.89 / 3.30 / 4.10	0.89 / 4.00 / 5.10	0.90 / 5.80 / 6.40	0.90 / 7.50 / 8.64
	Heating -7°C	Rated	kW	2.60	3.00	4.20	6.00
Power Input	Cooling / Heating	Rated	W	656 / 800	1,080 / 1,050	1,562 / 1,611	2,164 / 2,238
EER			W/W	3.81	3.24	3.20	3.05
S.E.E.R.				7.00	6.60	7.00	6.90
P design C			kW	2.50	3.50	5.00	6.60
COP			W/W	4.13	3.81	3.60	3.35
S.C.O.P		(Average / Warmer)		4.00 / 4.90	4.00 / 4.90	4.30 / 5.30	4.30 / 5.30
P design H (Average / Warmer)			kW	2.50 / 1.30	2.50 / 1.30	3.90 / 2.10	5.00 / 2.70
Energy Label (A+++ to D Scale)	Cooling			A++	A++	A++	A++
	Heating	(Average / Warmer)		A+ / A++	A+ / A++	A+ / A++	A+ / A++
Annual Energy Consumption	Cooling		kWh	125	186	250	335
	Heating	(Average / Warmer)	kWh	875 / 371	875 / 371	1,270 / 555	1,628 / 713
Sound Pressure	Cooling	S / L / M / H	dB(A)	19 / 27 / 35 / 41	19 / 27 / 35 / 41	31 / 34 / 39 / 44	31 / 34 / 42 / 47
	Heating	L / M / H	dB(A)	27 / 35 / 41	27 / 35 / 41	34 / 39 / 44	34 / 42 / 47
Sound Power	Cooling		dB(A)	59	59	60	65
Air Flow Rate	Cooling	S / L / M / H / Max. (Power)	m³/min	3.0 / 4.2 / 7.5 / 10.0 / 12.5	3.0 / 4.2 / 7.5 / 10.0 / 12.5	8.0 / 10.5 / 13.0 / 14.5 / 15.5	8.0 / 10.5 / 13.1 / 16.1 / 18.3
	Heating	L / M / H	m³/min	5.6 / 7.2 / 10.0	5.6 / 7.2 / 10.0	11.0 / 13.5 / 16.0	11.0 / 14.3 / 17.6
Dehumidification Rate			l/h	1.1	1.3	1.8	2.5
Running Current	Cooling	Min. / Rated / Max.	A	1.10 / 3.30 / 6.00	1.10 / 4.70 / 6.00	1.20 / 6.90 / 9.00	1.20 / 9.80 / 14.00
	Heating	Min. / Rated / Max.	A	1.10 / 4.00 / 7.00	1.10 / 4.70 / 7.00	1.20 / 7.10 / 9.50	1.20 / 10.00 / 14.00
Starting Current	Cooling / Heating	Rated	A	3.30 / 4.00	4.70 / 4.70	6.90 / 7.10	9.80 / 10.00
Power Supply			Ø / V / Hz	1 / 220-240 / 50	1 / 220-240 / 50	1 / 220-240 / 50	1 / 220-240 / 50
Circuit Breaker			A	15	15	20	25
Power Supply Cable			N x mm²	3 x 1.0	3 x 1.0	3 x 1.5	3 x 2.5
Power & Transmission Cable			N x mm²	4 x 1.0	4 x 1.0	4 x 1.0	4 x 1.0
				(Including Earth)	(Including Earth)	(Including Earth)	(Including Earth)
Dimension			mm	837 x 308 x 192	837 x 308 x 192	998 x 345 x 212	998 x 345 x 212
Net Weight			kg	9.9	9.9	12.8	13.5
Fan Motor Output			W	30	30	30	58
OUTDOOR				AC09BK UA3	AC12BK UA3	AC18BK UL2	AC24BK U24
Operation Range	Cooling	Min. / Max.	°C DB	-10 / 48	-10 / 48	-15 / 48	-15 / 48
	Heating	Min. / Max.	°C DB	-10 / 24	-10 / 24	-10 / 24	-10 / 24
Sound Pressure	Cooling / Heating	High	dB(A)	48 / 50	48 / 50	53 / 55	54 / 57
Sound Power	Cooling	High	dB(A)	65	65	65	70
Air Flow Rate		High	m³/min	27	27	35	49
Piping	Liquid (ODU / IDU)	Min. / Max.	m	3 / 15	3 / 15	3 / 20	3 / 30
	Elevation (ODU / IDU)	Min. / Max.	m	7	7	10	15
Piping Connection	Liquid	OD (Outside)	mm (inch)	6.35 (1/4)	6.35 (1/4)	6.35 (1/4)	6.35 (1/4)
	Gas	OD (Outside)	mm (inch)	9.52 (3/8)	9.52 (3/8)	12.7 (1/2)	15.88 (5/8)
Drain Hose Size		OD (Outside)	mm (inch)	21.5 (27/32)	21.5 (27/32)	21.5 (27/32)	21.5 (27/32)
Refrigerant	Type			R32	R32	R32	R32
	Charge at 7.5m		kg	0.700	0.700	1.000	1.100
	Additional Charge		t-CO ₂ eq	0.473	0.473	0.675	0.743
	GWP		g/m	20	20	20	20
Fan Motor Output			W	43	43	43	85
Compressor Type				Inverter Twin Rotary	Inverter Twin Rotary	Inverter Twin Rotary	Inverter Twin Rotary
Net Weight			kg	25.1	25.1	34.4	46.0
Dimension			mm	717 x 495 x 230	717 x 495 x 230	770 x 545 x 288	870 x 650 x 330
ACCESSORIES & OTHERS							
Multi Compatible				Y	Y	Y	Y
PI 485				-	-	-	-
Dry Contact				Y	Y	Y	Y
Wired Remote Controller				Y	Y	Y	Y

※ This product contains Fluorinated greenhouse gases (R32).
 ※ S : Sleep / L : Low / M : Medium / H : High
 ※ GWP : Global warming potential
 ※ t-CO₂eq : F-gas(kg)*GWP/1000
 ※ Specification, design and feature are subject to change without prior notice.

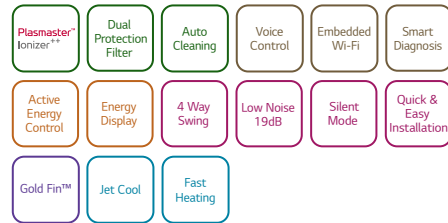


LG participates in the ECP programme for EUROVENT AC program. Check ongoing validity of certification : www.eurovent-certification.com

Single Combination

UNIT				9K	12K	18K	24K
INDOOR				AB09BK NSJ	AB12BK NSJ	AB18BK NSK	AB24BK NSK
Capacity	Cooling	Min. / Rated / Max.	kW	0.89 / 2.50 / 3.70	0.89 / 3.50 / 4.04	0.90 / 5.00 / 5.50	0.90 / 6.60 / 7.42
	Heating	Min. / Rated / Max.	kW	0.89 / 3.30 / 4.10	0.89 / 4.00 / 5.10	0.90 / 5.80 / 6.40	0.90 / 7.50 / 8.64
	Heating -7°C	Rated	kW	2.60	3.00	4.20	6.00
Power Input	Cooling / Heating	Rated	W	656 / 800	1,080 / 1,050	1,562 / 1,611	2,164 / 2,238
EER			W/W	3.81	3.24	3.20	3.05
S.E.E.R.				7.00	6.60	7.00	6.90
P design C			kW	2.50	3.50	5.00	6.60
COP			W/W	4.13	3.81	3.60	3.35
S.C.O.P		(Average / Warmer)		4.00 / 4.90	4.00 / 4.90	4.30 / 5.30	4.30 / 5.30
P design H (Average / Warmer)			kW	2.50 / 1.30	2.50 / 1.30	3.90 / 2.10	5.00 / 2.70
Energy Label (A+++ to D Scale)	Cooling			A++	A++	A++	A++
	Heating	(Average / Warmer)		A+ / A++	A+ / A++	A+ / A++	A+ / A++
Annual Energy Consumption	Cooling		kWh	125	186	250	335
	Heating	(Average / Warmer)	kWh	875 / 371	875 / 371	1,270 / 555	1,628 / 713
Sound Pressure	Cooling	S / L / M / H	dB(A)	19 / 27 / 35 / 41	19 / 27 / 35 / 41	31 / 34 / 39 / 44	31 / 34 / 42 / 47
	Heating	L / M / H	dB(A)	27 / 35 / 41	27 / 35 / 41	34 / 39 / 44	34 / 42 / 47
Sound Power	Cooling		dB(A)	59	59	60	65
Air Flow Rate	Cooling	S / L / M / H / Max. (Power)	m³/min	3.0 / 4.2 / 7.5 / 10.0 / 12.5	3.0 / 4.2 / 7.5 / 10.0 / 12.5	8.0 / 10.5 / 13.0 / 14.5 / 15.5	8.0 / 10.5 / 13.1 / 16.1 / 18.3
	Heating	L / M / H	m³/min	5.6 / 7.2 / 10.0	5.6 / 7.2 / 10.0	11.0 / 13.5 / 16.0	11.0 / 14.3 / 17.6
Dehumidification Rate			l/h	1.1	1.3	1.8	2.5
Running Current	Cooling	Min. / Rated / Max.	A	1.10 / 3.30 / 6.00	1.10 / 4.70 / 6.00	1.20 / 6.90 / 9.00	1.20 / 9.80 / 14.00
	Heating	Min. / Rated / Max.	A	1.10 / 4.00 / 7.00	1.10 / 4.70 / 7.00	1.20 / 7.10 / 9.50	1.20 / 10.00 / 14.00
Starting Current	Cooling / Heating	Rated	A	3.30 / 4.00	4.70 / 4.70	6.90 / 7.10	9.80 / 10.00
Power Supply			Ø / V / Hz	1 / 220-240 / 50	1 / 220-240 / 50	1 / 220-240 / 50	1 / 220-240 / 50
Circuit Breaker			A	15	15	20	25
Power Supply Cable			N x mm²	3 x 1.0	3 x 1.0	3 x 1.5	3 x 2.5
Power & Transmission Cable			N x mm²	4 x 1.0	4 x 1.0	4 x 1.0	4 x 1.0
				(Including Earth)	(Including Earth)	(Including Earth)	(Including Earth)
Dimension			mm	837 x 308 x 192	837 x 308 x 192	998 x 345 x 212	998 x 345 x 212
Net Weight			kg	9.5	9.5	12.3	13.1
Fan Motor Output			W	30	30	30	58
OUTDOOR				AB09BK UA3	AB12BK UA3	AB18BK UL2	AB24BK U24
Operation Range	Cooling	Min. / Max.	°C DB	-10 / 48	-10 / 48	-15 / 48	-15 / 48
	Heating	Min. / Max.	°C DB	-10 / 24	-10 / 24	-10 / 24	-10 / 24
Sound Pressure	Cooling / Heating	High	dB(A)	48 / 50	48 / 50	53 / 55	54 / 57
Sound Power	Cooling	High	dB(A)	65	65	65	70
Air Flow Rate		High	m³/min	27	27	35	49
Piping	Liquid (ODU / IDU)	Min. / Max.	m	3 / 15	3 / 15	3 / 20	3 / 30
	Elevation (ODU / IDU)	Min. / Max.	m	7	7	10	15
Piping Connection	Liquid	OD (Outside)	mm (inch)	6.35 (1/4)	6.35 (1/4)	6.35 (1/4)	6.35 (1/4)
	Gas	OD (Outside)	mm (inch)	9.52 (3/8)	9.52 (3/8)	12.7 (1/2)	15.88 (5/8)
Drain Hose Size		OD (Outside)	mm (inch)	21.5 (27/32)	21.5 (27/32)	21.5 (27/32)	21.5 (27/32)
Refrigerant	Type			R32	R32	R32	R32
	Charge at 7.5m		kg	0.700	0.700	1.000	1.100
	Additional Charge		t-CO ₂ eq	0.473	0.473	0.675	0.743
	GWP		g/m	20	20	20	20
Fan Motor Output			W	43	43	43	85
Compressor Type				Inverter Twin Rotary	Inverter Twin Rotary	Inverter Twin Rotary	Inverter Twin Rotary
Net Weight			kg	25.1	25.1	34.4	46.0
Dimension			mm	717 x 495 x 230	717 x 495 x 230	770 x 545 x 288	870 x 650 x 330
ACCESSORIES & OTHERS							
Multi Compatible				Y	Y	Y	Y
PI 485				-	-	-	-
Dry Contact				Y	Y	Y	Y
Wired Remote Controller				Y	Y	Y	Y

※ This product contains Fluorinated greenhouse gases (R32).
 ※ S : Sleep / L : Low / M : Medium / H : High
 ※ GWP : Global warming potential
 ※ t-CO₂eq : F-gas(kg)*GWP/1000
 ※ Specification, design and feature are subject to change without prior notice.

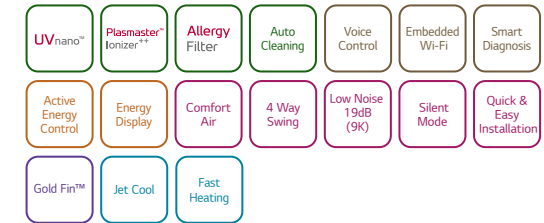


LG participates in the ECP programme for EUROVENT AC program. Check ongoing validity of certification : www.eurovent-certification.com

Single Combination

UNIT				9K	12K
INDOOR				F09MT NSM	F12MT NSM
Capacity	Cooling	Min. / Rated / Max.	kW	0.30 / 2.50 / 4.00	0.30 / 3.50 / 4.25
	Heating	Min. / Rated / Max.	kW	0.30 / 3.20 / 6.90	0.30 / 4.00 / 7.32
Power Input	Heating -7°C	Rated	kW	4.30	4.70
	Cooling / Heating	Rated	W	490 / 593	833 / 785
EER			W/W	5.10	4.20
S.E.E.R.				9.40	9.10
P design C			kW	2.50	3.50
COP			W/W	5.40	5.10
S.C.O.P		(Average / Warmer)		5.10 / 6.60	5.10 / 6.60
P design H (Average / Warmer)			kW	3.70 / 2.05	3.80 / 2.05
Energy Label (A+++ to D Scale)	Cooling			A+++	A+++
Annual Energy Consumption	Heating	(Average / Warmer)	kWh	A+++ / A+++	A+++ / A+++
	Cooling		kWh	93	135
Sound Pressure	Heating	Average	kWh	1,016	1,043
	Cooling	S / L / M / H	dB(A)	19 / 27 / 35 / 40	19 / 27 / 35 / 40
Sound Power	Heating	L / M / H	dB(A)	27 / 35 / 40	27 / 35 / 40
	Cooling		dB(A)	60	60
Air Flow Rate	Cooling	S / L / M / H / Max. (Power)	m ³ /min	6.6 / 8.7 / 11.1 / 12.4 / 15.5	6.6 / 8.7 / 11.1 / 12.4 / 15.5
	Heating	L / M / H	m ³ /min	8.7 / 11.1 / 14.3	8.7 / 11.1 / 14.3
Dehumidification Rate			l/h	1.7	1.7
Running Current	Cooling	Min. / Rated / Max.	A	0.70 / 3.80 / 8.10	0.70 / 6.10 / 8.10
	Heating	Min. / Rated / Max.	A	1.05 / 4.60 / 8.80	1.05 / 5.80 / 8.80
Starting Current	Cooling / Heating	Rated	A	3.80 / 4.60	6.10 / 5.80
Power Supply			Ø / V / Hz	1 / 220-240 / 50	1 / 220-240 / 50
Circuit Breaker			A	15	15
Power Supply Cable			N x mm ²	3 x 1.0	3 x 1.0
Power & Transmission Cable			N x mm ²	4 x 1.0 (Including Earth)	4 x 1.0 (Including Earth)
Dimension			mm	875 x 295 x 235	875 x 295 x 235
Net Weight			kg	11.0	11.0
Fan Motor Output			W	30	30
OUTDOOR				F09MT U24	F12MT U24
Operation Range	Cooling	Min. / Max.	°C DB	-10 / 48	-10 / 48
	Heating	Min. / Max.	°C DB	-25 / 24	-25 / 24
Sound Pressure	Cooling / Heating	High	dB(A)	48 / 50	48 / 50
Sound Power	Cooling	High	dB(A)	65	65
Air Flow Rate		High	m ³ /min	49	49
Piping	Liquid (ODU / IDU)	Min. / Max.	m	3 / 20	3 / 20
	Elevation (ODU / IDU)	Min. / Max.	m	10	10
Piping Connection	Liquid	OD (Outside)	mm (inch)	6.35 (1/4)	6.35 (1/4)
	Gas	OD (Outside)	mm (inch)	9.52 (3/8)	9.52 (3/8)
Drain Hose Size		OD (Outside)	mm (inch)	21.5 (27/32)	21.5 (27/32)
Refrigerant	Type			R32	R32
	Charge at 7.5m		kg	1.000	1.000
	Additional Charge		t-CO ₂ eq	0.675	0.675
	GWP		g/m	20	20
Fan Motor Output			W	675	675
Compressor Type				85	85
Net Weight			kg	43.0	43.0
Dimension			mm	870 x 650 x 330	870 x 650 x 330
ACCESSORIES & OTHERS					
Multi Compatible				-	-
PI 485				-	-
Dry Contact				Y	Y
Wired Remote Controller				Y	Y

※ This product contains Fluorinated greenhouse gases (R32).
 ※ S : Sleep / L : Low / M : Medium / H : High
 ※ GWP : Global warming potential
 ※ t-CO₂eq : F-gas(kg)*GWP/1000
 ※ Specification, design and feature are subject to change without prior notice.



LG participates in the ECP programme for EUROVENT AC program. Check ongoing validity of certification : www.eurovent-certification.com

Single Combination

UNIT				9K	12K
INDOOR				HC09RK NSJ	HC12RK NSK
Capacity	Cooling	Min. / Rated / Max.	kW	0.89 / 2.50 / 3.70	0.89 / 3.50 / 4.20
	Heating	Min. / Rated / Max.	kW	0.89 / 3.20 / 5.00	0.89 / 4.00 / 6.00
Power Input	Heating -7°C	Rated	kW	3.20	3.50
	Cooling / Heating	Rated	W	532 / 711	833 / 920
EER			W/W	4.70	4.20
S.E.E.R.				8.50	8.50
P design C			kW	2.50	3.50
COP			W/W	4.50	4.35
S.C.O.P		(Average / Warmer)		4.60 / 5.40	4.60 / 5.40
P design H (Average / Warmer)			kW	2.80 / 1.50	2.40 / 1.30
Energy Label (A+++ to D Scale)	Cooling			A+++	A+++
Annual Energy Consumption	Heating	(Average / Warmer)	kWh	A++ / A+++	A++ / A+++
	Cooling		kWh	103	144
Sound Pressure	Heating	Average	kWh	852 / 389	852 / 335
	Cooling	S / L / M / H	dB(A)	19 / 27 / 37 / 42	22 / 26 / 39 / 44
Sound Power	Heating	L / M / H	dB(A)	27 / 37 / 42	26 / 36 / 44
	Cooling		dB(A)	60	60
Air Flow Rate	Cooling	S / L / M / H / Max. (Power)	m ³ /min	4.0 / 5.5 / 9.0 / 11.0 / 13.0	6.0 / 9.0 / 11.5 / 14.0 / 15.0
	Heating	L / M / H	m ³ /min	6.5 / 9.0 / 11.0	5.5 / 11.5 / 15.0
Dehumidification Rate			l/h	1.1	1.3
Running Current	Cooling	Min. / Rated / Max.	A	1.00 / 3.10 / 6.00	1.00 / 4.00 / 6.00
	Heating	Min. / Rated / Max.	A	1.00 / 3.20 / 7.00	1.00 / 4.10 / 7.00
Starting Current	Cooling / Heating	Rated	A	3.10 / 3.20	4.00 / 4.10
Power Supply			Ø / V / Hz	1 / 220-240 / 50	1 / 220-240 / 50
Circuit Breaker			A	15	15
Power Supply Cable			N x mm ²	3 x 1.0	3 x 1.0
Power & Transmission Cable			N x mm ²	4 x 1.0 (including Earth)	4 x 1.0 (including Earth)
Dimension			mm	837 x 308 x 189	998 x 345 x 210
Net Weight			kg	9.1	11.9
Fan Motor Output			W	30	60
OUTDOOR				HC09RK UL2	HC12RK UL2
Operation Range	Cooling	Min. / Max.	°C DB	-15 / 48	-15 / 48
	Heating	Min. / Max.	°C DB	-15 / 24	-15 / 24
Sound Pressure	Cooling / Heating	High	dB(A)	49 / 51	49 / 51
Sound Power	Cooling	High	dB(A)	65	65
Air Flow Rate		High	m ³ /min	35	35
Piping	Liquid (ODU / IDU)	Min. / Max.	m	3 / 20	3 / 20
	Elevation (ODU / IDU)	Min. / Max.	m	10	10
Piping Connection	Liquid	OD (Outside)	mm (inch)	6.35 (1/4)	6.35 (1/4)
	Gas	OD (Outside)	mm (inch)	9.52 (3/8)	9.52 (3/8)
Drain Hose Size		OD (Outside)	mm (inch)	21.5 (27/32)	21.5 (27/32)
Refrigerant	Type			R32	R32
	Charge at 7.5m		kg	0.800	0.915
	Additional Charge		t-CO ₂ eq	0.675	0.675
	GWP		g/m	20	20
Fan Motor Output			W	675	675
Compressor Type				43	43
Net Weight			kg	34.1	34.1
Dimension			mm	770 x 545 x 288	770 x 545 x 288
ACCESSORIES & OTHERS					
Multi Compatible				-	-
PI 485				Y	Y
Dry Contact				Y	Y
Wired Remote Controller				Y	Y

※ This product contains Fluorinated greenhouse gases (R32).
 ※ S : Sleep / L : Low / M : Medium / H : High
 ※ GWP : Global warming potential
 ※ t-CO₂eq : F-gas(kg)*GWP/1000
 ※ Specification, design and feature are subject to change without prior notice.

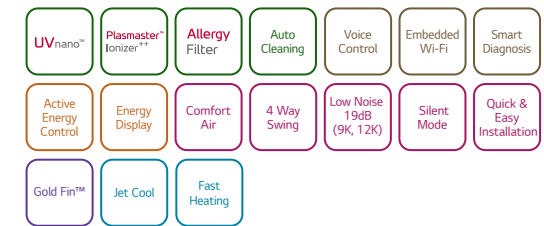


LG participates in the ECP programme for EUROVENT AC program. Check ongoing validity of certification : www.eurovent-certification.com

Single Combination

UNIT				9K	12K
INDOOR				AP09RK NSJ	AP12RK NSJ
Capacity	Cooling	Min. / Rated / Max.	kW	0.89 / 2.50 / 3.70	0.89 / 3.50 / 4.00
	Heating	Min. / Rated / Max.	kW	0.89 / 3.30 / 4.10	0.89 / 4.00 / 4.70
Power Input	Heating -7°C	Rated	kW	2.60	3.00
	Cooling / Heating	Rated	W	710 / 850	1,160 / 1,130
EER			W/W	3.52	3.02
S.E.E.R.				6.60	6.20
P design C			kW	2.50	3.50
COP			W/W	3.88	3.54
S.C.O.P		(Average / Warmer)		4.0 / 5.0	4.0 / 5.0
P design H (Average / Warmer)			kW	2.5 / 1.4	2.5 / 1.4
Energy Label (A+++ to D Scale)	Cooling			A++	A++
	Heating	(Average / Warmer)		A+ / A++	A+ / A++
Annual Energy Consumption	Cooling		kWh	133	198
	Heating	(Average / Warmer)	kWh	875 / 393	875 / 393
Sound Pressure	Cooling	S / L / M / H	dB(A)	21 / 27 / 35 / 42	21 / 27 / 35 / 42
	Heating	L / M / H	dB(A)	30 / 35 / 41	30 / 35 / 41
Sound Power	Cooling		dB(A)	59	59
	Heating	S / L / M / H / Max. (Power)	m³/min	3.0 / 4.2 / 6.6 / 10.0 / 11.0	3.0 / 4.2 / 6.6 / 10.0 / 11.0
Air Flow Rate	Cooling	L / M / H	m³/min	4.2 / 6.6 / 10.0	4.2 / 6.6 / 10.0
	Heating		l/h	1.10	1.30
Running Current	Cooling	Min. / Rated / Max.	A	1.1 / 3.5 / 6.0	1.1 / 5.2 / 6.2
	Heating	Min. / Rated / Max.	A	1.1 / 4.0 / 7.0	1.1 / 5.1 / 7.0
Starting Current	Cooling / Heating	Rated	A	3.50 / 4.00	5.20 / 5.10
Power Supply		Ø / V / Hz		1 / 220-240 / 50	1 / 220-240 / 50
Circuit Breaker		A		15	15
Power Supply Cable		N x mm²		3 x 1.0	3 x 1.0
Power & Transmission Cable		N x mm²		4 x 1.0 (Including Earth)	4 x 1.0 (Including Earth)
Dimension		mm		857 x 348 x 189	857 x 348 x 189
Net Weight		kg		9.4	9.4
Fan Motor Output		W		30	30
OUTDOOR				AP09RK UA3	AP12RK UA3
Operation Range	Cooling	Min. / Max.	°C DB	-10 / 48	-10 / 48
	Heating	Min. / Max.	°C DB	-10 / 24	-10 / 24
Sound Pressure	Cooling / Heating	High	dB(A)	48 / 50	48 / 50
	Cooling	High	dB(A)	65	65
Air Flow Rate	Cooling / Heating	High	m³/min	27	27
	Liquid (ODU / IDU)	Min. / Max.	m	3 / 15	3 / 15
Piping	Elevation (ODU / IDU)	Min. / Max.	m	7	7
	Liquid	OD (Outside)	mm (inch)	6.35 (1/4)	6.35 (1/4)
Piping Connection	Gas	OD (Outside)	mm (inch)	9.52 (3/8)	9.52 (3/8)
	Drain Hose Size	OD (Outside)	mm (inch)	21.5 (27/32)	21.5 (27/32)
Refrigerant	Type			R32	R32
	Charge at 7.5m		kg	0.700	0.700
	Additional Charge		t-CO ₂ eq	0.473	0.473
	GWP		g/m	20	20
Fan Motor Output		W		675	675
Compressor Type				43	43
Net Weight		kg		25.8	25.8
Dimension		mm		717 x 495 x 230	717 x 495 x 230
ACCESSORIES & OTHERS					
Multi Compatible				Y	Y
PI 485				-	-
Dry Contact				Y	Y
Wired Remote Controller				Y	Y

※ This product contains Fluorinated greenhouse gases (R32).
 ※ S : Sleep / L : Low / M : Medium / H : High
 ※ GWP : Global warming potential
 ※ t-CO₂eq : F-gas(kg)*GWP/1000
 ※ Specification, design and feature are subject to change without prior notice.

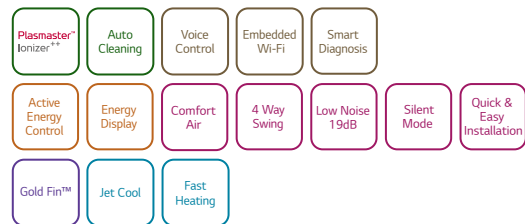


LG participates in the ECP programme for EUROVENT AC program. Check ongoing validity of certification : www.eurovent-certification.com

Single Combination

UNIT				9K	12K	18K	24K
INDOOR				DC09RK NSJ	DC12RK NSJ	DC18RK NSK	DC24RK NSK
Capacity	Cooling	Min. / Rated / Max.	kW	0.89 / 2.50 / 3.70	0.89 / 3.50 / 4.04	0.90 / 5.00 / 5.50	0.90 / 6.60 / 7.42
	Heating	Min. / Rated / Max.	kW	0.89 / 3.20 / 5.00	0.89 / 4.00 / 6.00	0.90 / 5.80 / 6.40	0.90 / 7.50 / 8.64
Power Input	Heating -7°C	Rated	kW	3.20	3.50	4.20	6.00
	Cooling / Heating	Rated	W	572 / 711	933 / 976	1,562 / 1,611	2,164 / 2,238
EER			W/W	4.37	3.75	3.20	3.05
S.E.E.R.				7.90	7.60	7.00	6.90
P design C			kW	2.50	3.50	5.00	6.60
COP			W/W	4.50	4.10	3.60	3.35
S.C.O.P		(Average / Warmer)		4.60 / 5.40	4.60 / 5.40	4.30 / 5.30	4.30 / 5.30
P design H (Average / Warmer)			kW	2.80 / 1.50	2.90 / 1.50	3.90 / 2.10	5.00 / 2.70
Energy Label (A+++ to D Scale)	Cooling			A++	A++	A++	A++
	Heating	(Average / Warmer)		A+ / A++	A+ / A++	A+ / A++	A+ / A++
Annual Energy Consumption	Cooling		kWh	111	161	250	335
	Heating	(Average / Warmer)	kWh	852 / 389	883 / 389	1,270 / 555	1,628 / 713
Sound Pressure	Cooling	S / L / M / H	dB(A)	19 / 27 / 37 / 42	19 / 27 / 37 / 42	31 / 34 / 39 / 44	31 / 34 / 42 / 47
	Heating	L / M / H	dB(A)	27 / 37 / 42	27 / 37 / 42	34 / 39 / 44	34 / 42 / 47
Sound Power	Cooling		dB(A)	60	60	60	65
	Heating	S / L / M / H / Max. (Power)	m³/min	3.5 / 5.5 / 9.0 / 11.0 / 13.0	3.5 / 5.5 / 9.0 / 11.0 / 13.0	8.0 / 10.5 / 13.0 / 14.5 / 15.5	8.0 / 10.5 / 13.1 / 16.1 / 18.3
Air Flow Rate	Cooling	L / M / H	m³/min	6.5 / 9.0 / 11.0	6.5 / 9.0 / 11.0	11.0 / 13.5 / 16.0	11.0 / 14.3 / 17.6
	Heating		l/h	1.1	1.3	1.8	2.5
Running Current	Cooling	Min. / Rated / Max.	A	1.00 / 2.50 / 6.00	1.00 / 4.00 / 6.00	1.20 / 6.90 / 9.00	1.20 / 9.80 / 14.00
	Heating	Min. / Rated / Max.	A	1.00 / 3.20 / 7.00	1.00 / 4.30 / 7.00	1.20 / 7.10 / 9.50	1.20 / 10.00 / 14.00
Starting Current	Cooling / Heating	Rated	A	2.50 / 3.20	4.00 / 4.30	6.90 / 7.10	9.80 / 10.00
Power Supply		Ø / V / Hz		1 / 220-240 / 50	1 / 220-240 / 50	1 / 220-240 / 50	1 / 220-240 / 50
Circuit Breaker		A		15	15	20	25
Power Supply Cable		N x mm²		3 x 1.0	3 x 1.0	3 x 1.5	3 x 2.5
Power & Transmission Cable		N x mm²		4 x 1.0 (Including Earth)	4 x 1.0 (Including Earth)	4 x 1.0 (Including Earth)	4 x 1.0 (Including Earth)
Dimension		mm		837 x 308 x 189	837 x 308 x 189	998 x 345 x 210	998 x 345 x 210
Net Weight		kg		9.1	9.1	11.9	12.7
Fan Motor Output		W		30	30	30	58
OUTDOOR				DC09RK UL2	DC12RK UL2	DC18RK UL2	DC24RK U24
Operation Range	Cooling	Min. / Max.	°C DB	-15 / 48	-15 / 48	-15 / 48	-15 / 48
	Heating	Min. / Max.	°C DB	-15 / 24	-15 / 24	-10 / 24	-10 / 24
Sound Pressure	Cooling / Heating	High	dB(A)	49 / 51	49 / 51	53 / 55	54 / 57
	Cooling	High	dB(A)	65	65	65	70
Air Flow Rate	Cooling / Heating	High	m³/min	35	35	35	49
	Liquid (ODU / IDU)	Min. / Max.	m	3 / 20	3 / 20	3 / 20	3 / 30
Piping	Elevation (ODU / IDU)	Min. / Max.	m	10	10	10	15
	Liquid	OD (Outside)	mm (inch)	6.35 (1/4)	6.35 (1/4)	6.35 (1/4)	6.35 (1/4)
Piping Connection	Gas	OD (Outside)	mm (inch)	9.52 (3/8)	9.52 (3/8)	12.7 (1/2)	15.88 (5/8)
	Drain Hose Size	OD (Outside)	mm (inch)	21.5 (27/32)	21.5 (27/32)	21.5 (27/32)	21.5 (27/32)
Refrigerant	Type			R32	R32	R32	R32
	Charge at 7.5m		kg	0.800	0.800	1.000	1.100
	Additional Charge		t-CO ₂ eq	0.540	0.540	0.675	0.743
	GWP		g/m	20	20	20	20
Fan Motor Output		W		675	675	675	675
Compressor Type				43	43	43	85
Net Weight		kg		34.1	34.1	34.4	46.0
Dimension		mm		770 x 545 x 288	770 x 545 x 288	770 x 545 x 288	870 x 650 x 330
ACCESSORIES & OTHERS							
Multi Compatible				Y	Y	Y	Y
PI 485				Y	Y	Y	Y
Dry Contact				Y	Y	Y	Y
Wired Remote Controller				Y	Y	Y	Y

※ This product contains Fluorinated greenhouse gases (R32).
 ※ S : Sleep / L : Low / M : Medium / H : High
 ※ GWP : Global warming potential
 ※ t-CO₂eq : F-gas(kg)*GWP/1000
 ※ Specification, design and feature are subject to change without prior notice.

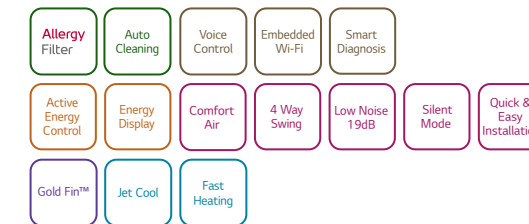


LG participates in the ECP programme for EUROVENT AC program. Check ongoing validity of certification : www.eurovent-certification.com

Single Combination

UNIT				9K	12K
INDOOR				DC09RT NSJ	DC12RT NSJ
Capacity	Cooling	Min. / Rated / Max.	kW	0.89 / 2.50 / 3.70	0.89 / 3.50 / 4.04
	Heating	Min. / Rated / Max.	kW	0.89 / 3.30 / 4.10	0.89 / 4.00 / 5.10
Power Input	Heating -7°C	Rated	kW	2.60	3.00
	Cooling / Heating	Rated	W	656 / 800	1,080 / 1,050
EER			W/W	3.81	3.24
S.E.E.R.				7.00	6.60
P design C			kW	2.50	3.50
COP			W/W	4.13	3.81
S.C.O.P		(Average / Warmer)		4.00 / 4.90	4.00 / 4.90
P design H (Average / Warmer)			kW	2.50 / 1.30	2.50 / 1.30
Energy Label (A+++ to D Scale)	Cooling			A++	A++
	Heating	(Average / Warmer)		A+ / A++	A+ / A++
Annual Energy Consumption	Cooling		kWh	125	186
	Heating	(Average / Warmer)	kWh	875 / 371	875 / 371
Sound Pressure	Cooling	S / L / M / H	dB(A)	19 / 27 / 35 / 41	19 / 27 / 35 / 41
	Heating	L / M / H	dB(A)	27 / 35 / 41	27 / 35 / 41
Sound Power	Cooling		dB(A)	59	59
	Heating	S / L / M / H / Max. (Power)	m³/min	3.0 / 4.2 / 7.5 / 10.0 / 12.5	3.0 / 4.2 / 7.5 / 10.0 / 12.5
Air Flow Rate	Cooling	L / M / H	m³/min	5.6 / 7.2 / 10.0	5.6 / 7.2 / 10.0
	Heating		l/h	1.1	1.3
Running Current	Cooling	Min. / Rated / Max.	A	1.10 / 3.30 / 6.00	1.10 / 4.70 / 6.00
	Heating	Min. / Rated / Max.	A	1.10 / 4.00 / 7.00	1.10 / 4.70 / 7.00
Starting Current	Cooling / Heating	Rated	A	3.30 / 4.00	4.70 / 4.70
Power Supply		Ø / V / Hz		1 / 220-240 / 50	1 / 220-240 / 50
Circuit Breaker		A		15	15
Power Supply Cable		N x mm²		3 x 1.0	3 x 1.0
Power & Transmission Cable		N x mm²		4 x 1.0 (Including Earth)	4 x 1.0 (Including Earth)
Dimension		mm		837 x 308 x 189	837 x 308 x 189
Net Weight		kg		9.1	9.1
Fan Motor Output		W		30	30
OUTDOOR				DC09RT UA3	DC12RT UA3
Operation Range	Cooling	Min. / Max.	°C DB	-10 / 48	-10 / 48
	Heating	Min. / Max.	°C DB	-10 / 24	-10 / 24
Sound Pressure	Cooling / Heating	High	dB(A)	48 / 50	48 / 50
Sound Power	Cooling	High	dB(A)	65	65
Air Flow Rate		High	m³/min	27	27
Piping	Liquid (ODU / IDU)	Min. / Max.	m	3 / 15	3 / 15
	Elevation (ODU / IDU)	Min. / Max.	m	7	7
Piping Connection	Liquid	OD (Outside)	mm (inch)	6.35 (1/4)	6.35 (1/4)
	Gas	OD (Outside)	mm (inch)	9.52 (3/8)	9.52 (3/8)
Drain Hose Size		OD (Outside)	mm (inch)	21.5 (27/32)	21.5 (27/32)
Refrigerant	Type			R32	R32
	Charge at 7.5m		kg	0.700	0.700
	Additional Charge		t-CO ₂ eq	0.473	0.473
	GWP		g/m	20	20
Fan Motor Output		W		675	675
Compressor Type				43	43
Net Weight		kg		25.1	25.1
Dimension		mm		717 x 495 x 230	717 x 495 x 230
ACCESSORIES & OTHERS					
Multi Compatible				Y	Y
PI 485				Y	Y
Dry Contact				Y	Y
Wired Remote Controller				Y	Y

※ This product contains Fluorinated greenhouse gases (R32).
 ※ S : Sleep / L : Low / M : Medium / H : High
 ※ GWP : Global warming potential
 ※ t-CO₂eq : F-gas(kg)*GWP/1000
 ※ Specification, design and feature are subject to change without prior notice.

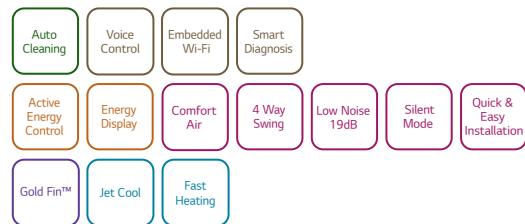


LG participates in the ECP programme for EUROVENT AC program. Check ongoing validity of certification : www.eurovent-certification.com

Single Combination

UNIT				9K	12K	18K	24K
INDOOR				PC09SK NSJ	PC12SK NSJ	PC18SK NSK	PC24SK NSK
Capacity	Cooling	Min. / Rated / Max.	kW	0.89 / 2.50 / 3.70	0.89 / 3.50 / 4.04	0.90 / 5.00 / 5.50	0.90 / 6.60 / 7.42
	Heating	Min. / Rated / Max.	kW	0.89 / 3.30 / 4.10	0.89 / 4.00 / 5.10	0.90 / 5.80 / 6.40	0.90 / 7.50 / 8.64
Power Input	Heating -7°C	Rated	kW	2.60	3.00	4.20	6.00
	Cooling / Heating	Rated	W	656 / 800	1,080 / 1,050	1,562 / 1,611	2,164 / 2,238
EER			W/W	3.81	3.24	3.20	3.05
S.E.E.R.				7.00	6.60	7.00	6.90
P design C			kW	2.50	3.50	5.00	6.60
COP			W/W	4.13	3.81	3.60	3.35
S.C.O.P		(Average / Warmer)		4.00 / 4.90	4.00 / 4.90	4.30 / 5.30	4.30 / 5.30
P design H (Average / Warmer)			kW	2.50 / 1.30	2.50 / 1.30	3.90 / 2.10	5.00 / 2.70
Energy Label (A+++ to D Scale)	Cooling			A++	A++	A++	A++
	Heating	(Average / Warmer)		A+ / A++	A+ / A++	A+ / A++	A+ / A++
Annual Energy Consumption	Cooling		kWh	125	186	250	335
	Heating	(Average / Warmer)	kWh	875 / 371	875 / 371	1,270 / 555	1,628 / 713
Sound Pressure	Cooling	S / L / M / H	dB(A)	19 / 27 / 35 / 41	19 / 27 / 35 / 41	31 / 34 / 39 / 44	31 / 34 / 42 / 47
	Heating	L / M / H	dB(A)	27 / 35 / 41	27 / 35 / 41	34 / 39 / 44	34 / 42 / 47
Sound Power	Cooling		dB(A)	59	59	60	65
	Heating	S / L / M / H / Max. (Power)	m³/min	3.0 / 4.2 / 7.5 / 10.0 / 12.5	3.0 / 4.2 / 7.5 / 10.0 / 12.5	8.0 / 10.5 / 13.0 / 14.5 / 15.5	8.0 / 10.5 / 13.1 / 16.1 / 18.3
Air Flow Rate	Cooling	L / M / H	m³/min	5.6 / 7.2 / 10.0	5.6 / 7.2 / 10.0	11.0 / 13.5 / 16.0	11.0 / 14.3 / 17.6
	Heating		l/h	1.1	1.3	1.8	2.5
Running Current	Cooling	Min. / Rated / Max.	A	1.10 / 3.30 / 6.00	1.10 / 4.70 / 6.00	1.20 / 6.90 / 9.00	1.20 / 9.80 / 14.00
	Heating	Min. / Rated / Max.	A	1.10 / 4.00 / 7.00	1.10 / 4.70 / 7.00	1.20 / 7.10 / 9.50	1.20 / 10.00 / 14.00
Starting Current	Cooling / Heating	Rated	A	3.30 / 4.00	4.70 / 4.70	6.90 / 7.10	9.80 / 10.00
Power Supply		Ø / V / Hz		1 / 220-240 / 50	1 / 220-240 / 50	1 / 220-240 / 50	1 / 220-240 / 50
Circuit Breaker		A		15	15	20	25
Power Supply Cable		N x mm²		3 x 1.0	3 x 1.0	3 x 1.5	3 x 2.5
Power & Transmission Cable		N x mm²		4 x 1.0 (Including Earth)	4 x 1.0 (Including Earth)	4 x 1.0 (Including Earth)	4 x 1.0 (Including Earth)
Dimension		mm		837 x 308 x 189	837 x 308 x 189	998 x 345 x 210	998 x 345 x 210
Net Weight		kg		8.7	8.7	11.9	12.7
Fan Motor Output		W		30	30	30	58
OUTDOOR				PC09SK UA3	PC12SK UA3	PC18SK UL2	PC24SK U24
Operation Range	Cooling	Min. / Max.	°C DB	-10 / 48	-10 / 48	-15 / 48	-15 / 48
	Heating	Min. / Max.	°C DB	-10 / 24	-10 / 24	-10 / 24	-10 / 24
Sound Pressure	Cooling / Heating	High	dB(A)	48 / 50	48 / 50	53 / 55	54 / 57
Sound Power	Cooling	High	dB(A)	65	65	65	70
Air Flow Rate		High	m³/min	27	27	35	49
Piping	Liquid (ODU / IDU)	Min. / Max.	m	3 / 15	3 / 15	3 / 20	3 / 30
	Elevation (ODU / IDU)	Min. / Max.	m	7	7	10	15
Piping Connection	Liquid	OD (Outside)	mm (inch)	6.35 (1/4)	6.35 (1/4)	6.35 (1/4)	6.35 (1/4)
	Gas	OD (Outside)	mm (inch)	9.52 (3/8)	9.52 (3/8)	12.7 (1/2)	15.88 (5/8)
Drain Hose Size		OD (Outside)	mm (inch)	21.5 (27/32)	21.5 (27/32)	21.5 (27/32)	21.5 (27/32)
Refrigerant	Type			R32	R32	R32	R32
	Charge at 7.5m		kg	0.700	0.700	1.000	1.100
	Additional Charge		t-CO ₂ eq	0.473	0.473	0.675	0.743
	GWP		g/m	20	20	20	20
Fan Motor Output		W		675	675	675	675
Compressor Type				43	43	43	85
Net Weight		kg		25.1	25.1	34.4	46.0
Dimension		mm		717 x 495 x 230	717 x 495 x 230	770 x 545 x 288	870 x 650 x 330
ACCESSORIES & OTHERS							
Multi Compatible				Y	Y	Y	Y
PI 485				-	-	-	-
Dry Contact				Y	Y	Y	Y
Wired Remote Controller				Y	Y	Y	Y

※ This product contains Fluorinated greenhouse gases (R32).
 ※ S : Sleep / L : Low / M : Medium / H : High
 ※ GWP : Global warming potential
 ※ t-CO₂eq : F-gas(kg)*GWP/1000
 ※ Specification, design and feature are subject to change without prior notice.

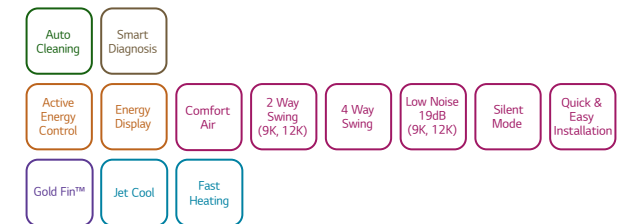


LG participates in the ECP programme for EUROVENT AC program. Check ongoing validity of certification : www.eurovent-certification.com

Single Combination

UNIT				9K	12K	18K	24K
INDOOR				S09ET NSJ	S12ET NSJ	S18ET NSK	S24ET NSK
Capacity	Cooling	Min. / Rated / Max.	kW	0.89 / 2.50 / 3.70	0.89 / 3.50 / 4.04	0.90 / 5.00 / 5.50	0.90 / 6.60 / 7.42
	Heating	Min. / Rated / Max.	kW	0.89 / 3.30 / 4.10	0.89 / 4.00 / 5.10	0.90 / 5.80 / 6.40	0.90 / 7.50 / 8.64
Power Input	Cooling / Heating	Rated	W	656 / 800	1,080 / 1,050	1,562 / 1,611	2,164 / 2,238
			W/W	3.81	3.24	3.20	3.05
S.E.E.R.				7.00	6.60	7.00	6.90
P design C			kW	2.50	3.50	5.00	6.60
COP			W/W	4.13	3.81	3.60	3.35
S.C.O.P		(Average / Warmer)		4.00 / 4.90	4.00 / 4.90	4.30 / 5.30	4.30 / 5.30
P design H (Average / Warmer)			kW	2.50 / 1.30	2.50 / 1.30	3.90 / 2.10	5.00 / 2.70
Energy Label (A+++ to D Scale)	Cooling			A++	A++	A++	A++
	Heating	(Average / Warmer)		A+ / A++	A+ / A++	A+ / A++	A+ / A++
Annual Energy Consumption	Cooling		kWh	125	186	250	335
	Heating	(Average / Warmer)	kWh	875 / 371	875 / 371	1,270 / 555	1,628 / 713
Sound Pressure	Cooling	S / L / M / H	dB(A)	19 / 27 / 35 / 41	19 / 27 / 35 / 41	31 / 34 / 39 / 44	31 / 34 / 42 / 47
	Heating	L / M / H	dB(A)	27 / 35 / 41	27 / 35 / 41	34 / 39 / 44	34 / 42 / 47
Sound Power	Cooling		dB(A)	59	59	60	65
Air Flow Rate	Cooling	S / L / M / H / Max. (Power)	m³/min	3.0 / 4.2 / 7.5 / 10.0 / 12.5	3.0 / 4.2 / 7.5 / 10.0 / 12.5	8.0 / 10.5 / 13.0 / 14.5 / 15.5	8.0 / 10.5 / 13.1 / 16.1 / 18.3
	Heating	L / M / H	m³/min	5.6 / 7.2 / 10.0	5.6 / 7.2 / 10.0	11.0 / 13.5 / 16.0	11.0 / 14.3 / 17.6
Dehumidification Rate			l/h	1.1	1.3	1.8	2.5
Running Current	Cooling	Min. / Rated / Max.	A	1.10 / 3.30 / 6.00	1.10 / 4.70 / 6.00	1.20 / 6.90 / 9.00	1.20 / 9.80 / 14.00
	Heating	Min. / Rated / Max.	A	1.10 / 4.00 / 7.00	1.10 / 4.70 / 7.00	1.20 / 7.10 / 9.50	1.20 / 10.00 / 14.00
Starting Current	Cooling / Heating	Rated	A	3.30 / 4.00	4.70 / 4.70	6.90 / 7.10	9.80 / 10.00
Power Supply			Ø / V / Hz	1 / 220-240 / 50	1 / 220-240 / 50	1 / 220-240 / 50	1 / 220-240 / 50
Circuit Breaker			A	15	15	20	25
Power Supply Cable			N x mm²	3 x 1.0	3 x 1.0	3 x 1.5	3 x 2.5
Power & Transmission Cable			N x mm²	4 x 1.0	4 x 1.0	4 x 1.0	4 x 1.0
				(Including Earth)	(Including Earth)	(Including Earth)	(Including Earth)
Dimension			mm	837 x 308 x 189	837 x 308 x 189	998 x 345 x 210	998 x 345 x 210
Net Weight			kg	8.7	8.7	11.9	12.7
Fan Motor Output			W	30	30	30	58
OUTDOOR				S09ET UA3	S12ET UA3	S18ET UL2	S24ET U24
Operation Range	Cooling	Min. / Max.	°C DB	-10 / 48	-10 / 48	-15 / 48	-15 / 48
	Heating	Min. / Max.	°C DB	-10 / 24	-10 / 24	-10 / 24	-10 / 24
Sound Pressure	Cooling / Heating	High	dB(A)	48 / 50	48 / 50	53 / 55	54 / 57
Sound Power	Cooling	High	dB(A)	65	65	65	70
Air Flow Rate		High	m³/min	27	27	35	49
Piping	Liquid (ODU / IDU)	Min. / Max.	m	3 / 15	3 / 15	3 / 20	3 / 30
	Elevation (ODU / IDU)	Min. / Max.	m	7	7	10	15
Piping Connection	Liquid	OD (Outside)	mm (inch)	6.35 (1/4)	6.35 (1/4)	6.35 (1/4)	6.35 (1/4)
	Gas	OD (Outside)	mm (inch)	9.52 (3/8)	9.52 (3/8)	12.7 (1/2)	15.88 (5/8)
Drain Hose Size		OD (Outside)	mm (inch)	21.5 (27/32)	21.5 (27/32)	21.5 (27/32)	21.5 (27/32)
Refrigerant	Type			R32	R32	R32	R32
	Charge at 7.5m		kg	0.700	0.700	1.000	1.100
	Additional Charge		t-CO ₂ eq	0.473	0.473	0.675	0.743
	GWP		g/m	20	20	20	20
Fan Motor Output			W	43	43	43	85
Compressor Type				Inverter Twin Rotary	Inverter Twin Rotary	Inverter Twin Rotary	Inverter Twin Rotary
Net Weight			kg	25.1	25.1	34.4	46.0
Dimension			mm	717 x 495 x 230	717 x 495 x 230	770 x 545 x 288	870 x 650 x 330
ACCESSORIES & OTHERS							
Multi Compatible				Y	Y	Y	Y
PI 485				-	-	-	-
Dry Contact				Y	Y	Y	Y
Wired Remote Controller				Y	Y	Y	Y

※ This product contains Fluorinated greenhouse gases (R32).
 ※ S : Sleep / L : Low / M : Medium / H : High
 ※ GWP : Global warming potential
 ※ t-CO₂eq : F-gas(kg)*GWP/1000
 ※ Specification, design and feature are subject to change without prior notice.



LG participates in the ECP programme for EUROVENT AC program. Check ongoing validity of certification : www.eurovent-certification.com

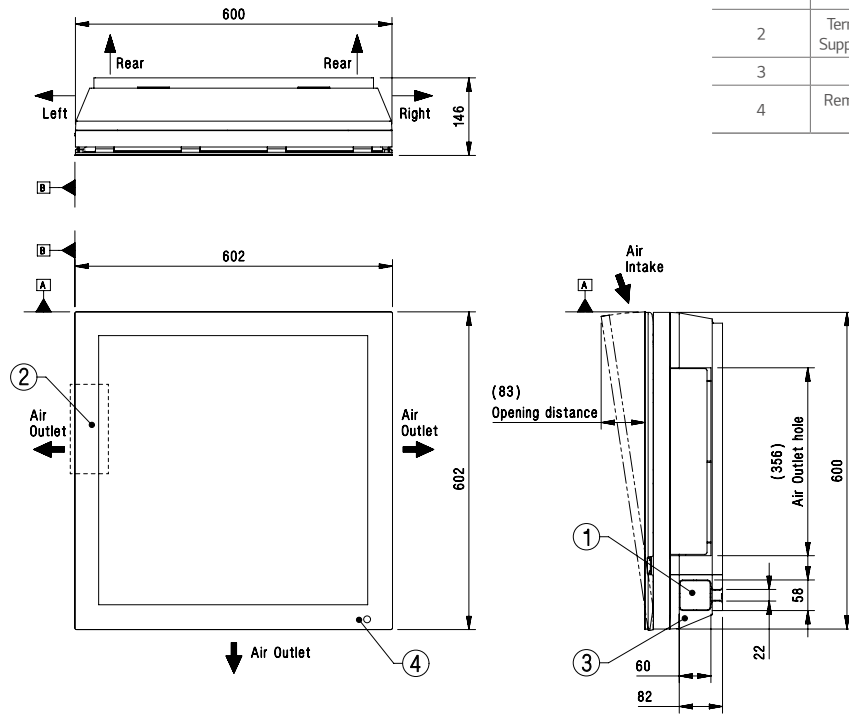
Single Combination

UNIT				9K	12K	18K	24K
INDOOR				S09EQ NSJ	S12EQ NSJ	S18EQ NSK	S24EQ NSK
Capacity	Cooling	Min. / Rated / Max.	kW	0.89 / 2.50 / 3.70	0.89 / 3.50 / 4.04	0.90 / 5.00 / 5.50	0.90 / 6.60 / 7.42
	Heating	Min. / Rated / Max.	kW	0.89 / 3.30 / 4.10	0.89 / 4.00 / 5.10	0.90 / 5.80 / 6.40	0.90 / 7.50 / 8.64
Power Input	Cooling / Heating	Rated	W	656 / 800	1,080 / 1,050	1,562 / 1,611	2,164 / 2,238
			W/W	3.81	3.24	3.20	3.05
S.E.E.R.				7.00	6.60	7.00	6.90
P design C			kW	2.50	3.50	5.00	6.60
COP			W/W	4.13	3.81	3.60	3.35
S.C.O.P		(Average / Warmer)		4.00 / 4.90	4.00 / 4.90	4.30 / 5.30	4.30 / 5.30
P design H (Average / Warmer)			kW	2.50 / 1.30	2.50 / 1.30	3.90 / 2.10	5.00 / 2.70
Energy Label (A+++ to D Scale)	Cooling			A++	A++	A++	A++
	Heating	(Average / Warmer)		A+ / A++	A+ / A++	A+ / A++	A+ / A++
Annual Energy Consumption	Cooling		kWh	125	186	250	335
	Heating	(Average / Warmer)	kWh	875 / 371	875 / 371	1,270 / 555	1,628 / 713
Sound Pressure	Cooling	S / L / M / H	dB(A)	19 / 27 / 35 / 41	19 / 27 / 35 / 41	31 / 34 / 39 / 44	31 / 34 / 42 / 47
	Heating	L / M / H	dB(A)	27 / 35 / 41	27 / 35 / 41	34 / 39 / 44	34 / 42 / 47
Sound Power	Cooling		dB(A)	59	59	60	65
Air Flow Rate	Cooling	S / L / M / H / Max. (Power)	m³/min	3.0 / 4.2 / 7.5 / 10.0 / 12.5	3.0 / 4.2 / 7.5 / 10.0 / 12.5	8.0 / 10.5 / 13.0 / 14.5 / 15.5	8.0 / 10.5 / 13.1 / 16.1 / 18.3
	Heating	L / M / H	m³/min	5.6 / 7.2 / 10.0	5.6 / 7.2 / 10.0	11.0 / 13.5 / 16.0	11.0 / 14.3 / 17.6
Dehumidification Rate			l/h	1.1	1.3	1.8	2.5
Running Current	Cooling	Min. / Rated / Max.	A	1.10 / 3.30 / 6.00	1.10 / 4.70 / 6.00	1.20 / 6.90 / 9.00	1.20 / 9.80 / 14.00
	Heating	Min. / Rated / Max.	A	1.10 / 4.00 / 7.00	1.10 / 4.70 / 7.00	1.20 / 7.10 / 9.50	1.20 / 10.00 / 14.00
Starting Current	Cooling / Heating	Rated	A	3.30 / 4.00	4.70 / 4.70	6.90 / 7.10	9.80 / 10.00
Power Supply			Ø / V / Hz	1 / 220-240 / 50	1 / 220-240 / 50	1 / 220-240 / 50	1 / 220-240 / 50
Circuit Breaker			A	15	15	20	25
Power Supply Cable			N x mm²	3 x 1.0	3 x 1.0	3 x 1.5	3 x 2.5
Power & Transmission Cable			N x mm²	4 x 1.0	4 x 1.0	4 x 1.0	4 x 1.0
				(Including Earth)	(Including Earth)	(Including Earth)	(Including Earth)
Dimension			mm	837 x 308 x 189	837 x 308 x 189	998 x 345 x 210	998 x 345 x 210
Net Weight			kg	8.7	8.7	11.9	12.7
Fan Motor Output			W	30	30	30	58
OUTDOOR				S09EQ UA3	S12EQ UA3	S18EQ UL2	S24EQ U24
Operation Range	Cooling	Min. / Max.	°C DB	-10 / 48	-10 / 48	-15 / 48	-15 / 48
	Heating	Min. / Max.	°C DB	-10 / 24	-10 / 24	-10 / 24	-10 / 24
Sound Pressure	Cooling / Heating	High	dB(A)	48 / 50	48 / 50	53 / 55	54 / 57
Sound Power	Cooling	High	dB(A)	65	65	65	70
Air Flow Rate		High	m³/min	27	27	35	49
Piping	Liquid (ODU / IDU)	Min. / Max.	m	3 / 15	3 / 15	3 / 20	3 / 30
	Elevation (ODU / IDU)	Min. / Max.	m	7	7	10	15
Piping Connection	Liquid	OD (Outside)	mm (inch)	6.35 (1/4)	6.35 (1/4)	6.35 (1/4)	6.35 (1/4)
	Gas	OD (Outside)	mm (inch)	9.52 (3/8)	9.52 (3/8)	12.7 (1/2)	15.88 (5/8)
Drain Hose Size		OD (Outside)	mm (inch)	21.5 (27/32)	21.5 (27/32)	21.5 (27/32)	21.5 (27/32)
Refrigerant	Type			R32	R32	R32	R32
	Charge at 7.5m		kg	0.700	0.700	1.000	1.100
	Additional Charge		t-CO ₂ eq	0.473	0.473	0.675	0.743
	GWP		g/m	20	20	20	20
Fan Motor Output			W	43	43	43	85
Compressor Type				Inverter Twin Rotary	Inverter Twin Rotary	Inverter Twin Rotary	Inverter Twin Rotary
Net Weight			kg	25.1	25.1	34.4	46.0
Dimension			mm	717 x 495 x 230	717 x 495 x 230	770 x 545 x 288	870 x 650 x 330
ACCESSORIES & OTHERS							
Multi Compatible				-	-	-	-
PI 485				-	-	-	-
Dry Contact				-	-	-	-
Wired Remote Controller				-	-	-	-

※ This product contains Fluorinated greenhouse gases (R32).
 ※ S : Sleep / L : Low / M : Medium / H : High
 ※ GWP : Global warming potential
 ※ t-CO₂eq : F-gas(kg)*GWP/1000
 ※ Specification, design and feature are subject to change without prior notice.

A09FT NSF / A12FT NSF

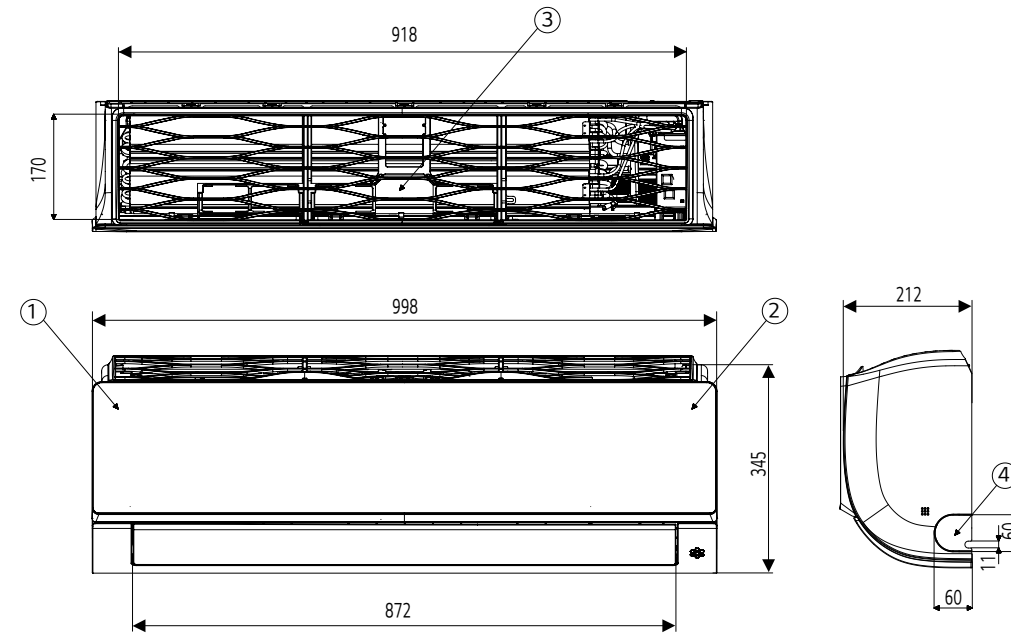
(Unit : mm)



ITEM NO.	PART NAME	REMARK
1	Refrigerant/Drain pipe and cable routing hole	Knock-out type
2	Terminal Block for Power Supply and Communication	Inside of front panel
3	Corner Cover	-
4	Remote Controller Signal Receiver	for wireless type

AC18BK NSK / AC24BK NSK / AB18BK NSK / AB24BK NSK

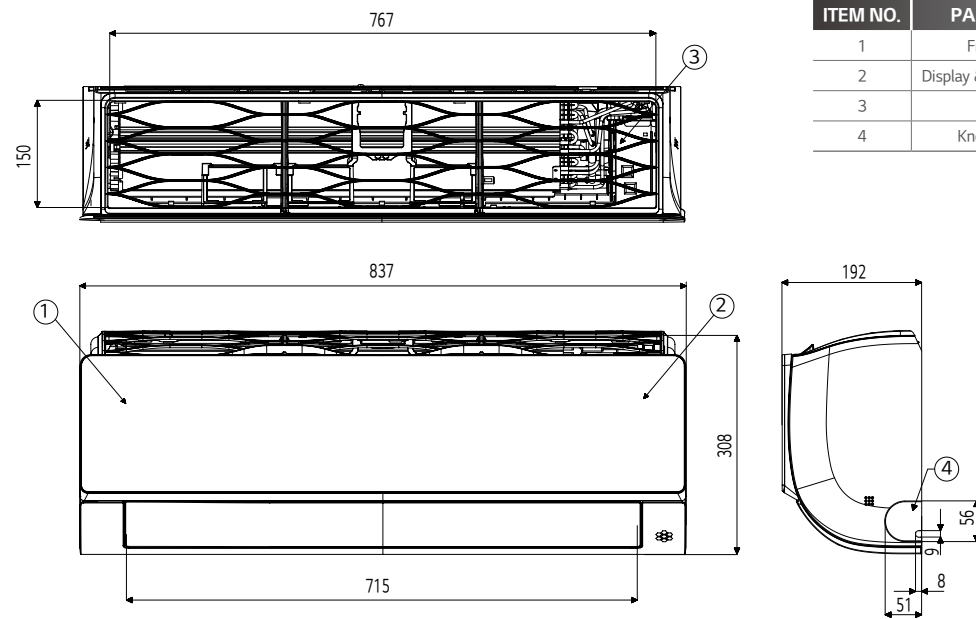
(Unit : mm)



ITEM NO.	PART NAME	REMARK
1	Front Panel	
2	Display & Signal Receiver	
3	Air Suction Filter	
4	Installation Plate	

AC09BK NSJ / AC12BK NSJ / AB09BK NSJ / AB12BK NSJ

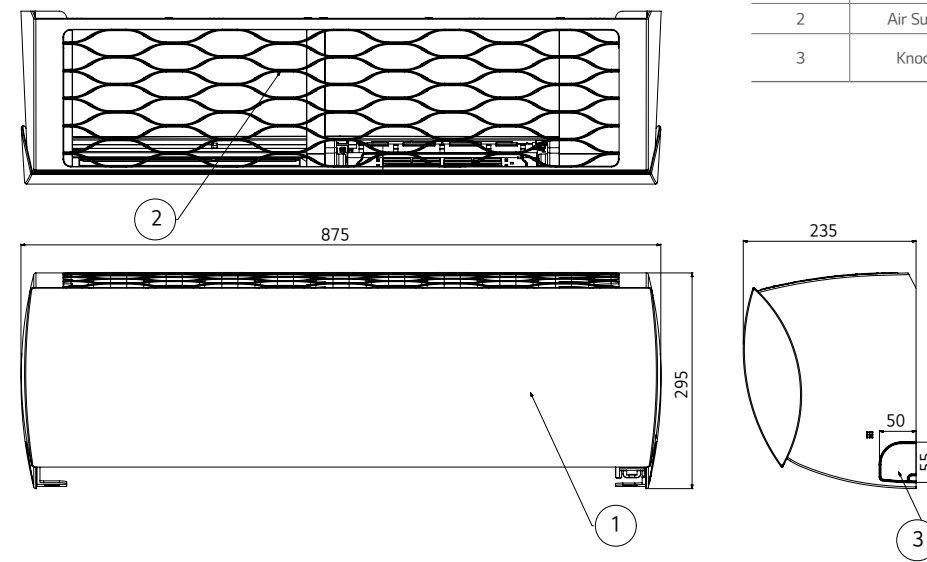
(Unit : mm)



ITEM NO.	PART NAME	REMARK
1	Front Panel	
2	Display & Signal Receiver	
3	Air Filter	
4	Knockout hole	For pipe and cable

F09MT NSM / F12MT NSM

(Unit : mm)

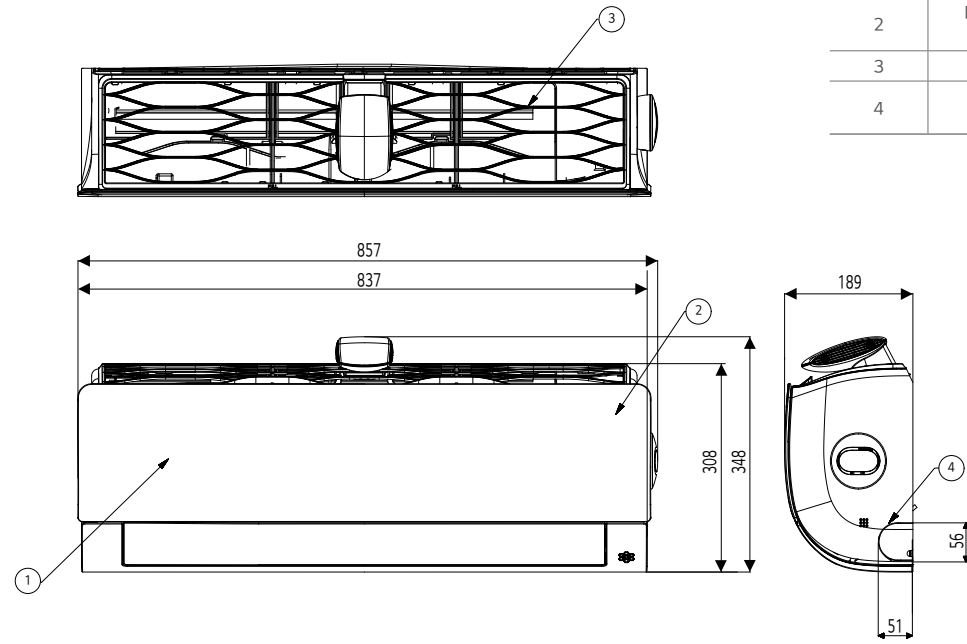


ITEM NO.	PART NAME	REMARK
1	Front Panel	
2	Air Suction Grille	
3	Knockout Hole	For pipe and cable

AP09RK NSJ / AP12RK NSJ

(Unit : mm)

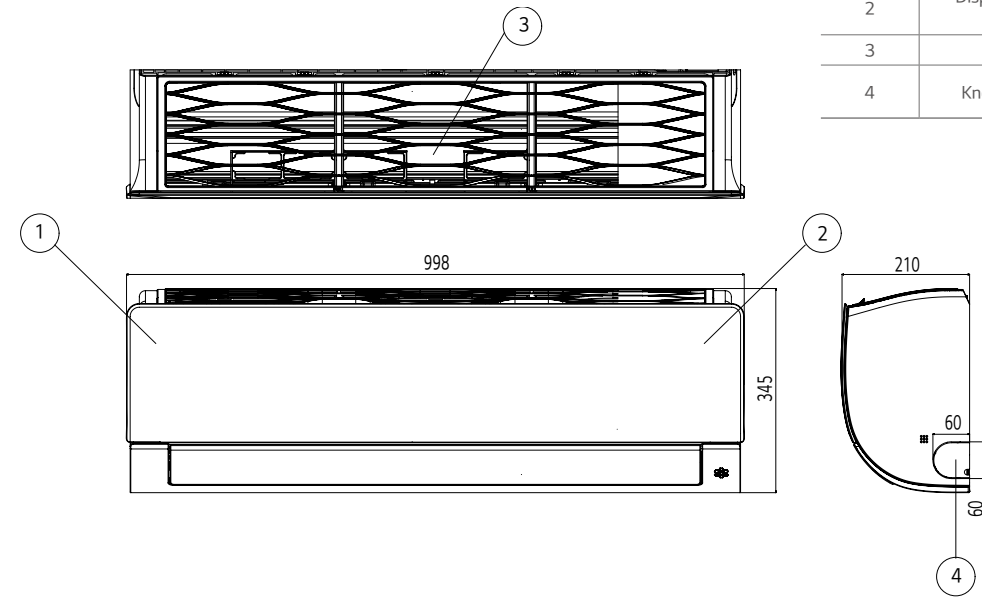
ITEM NO.	PART NAME	REMARK
1	Front Panel	
2	Display & Signal Receiver	Hidden
3	Air Filter	
4	Knockout hole	For pipe and cable



HC12RK NSK / DC18RK NSK / DC24RK NSK / PC18SK NSK / PC24SK NSK
S18EQ NSK / S24EQ NSK / S18ET NSK / S24ET NSK

(Unit : mm)

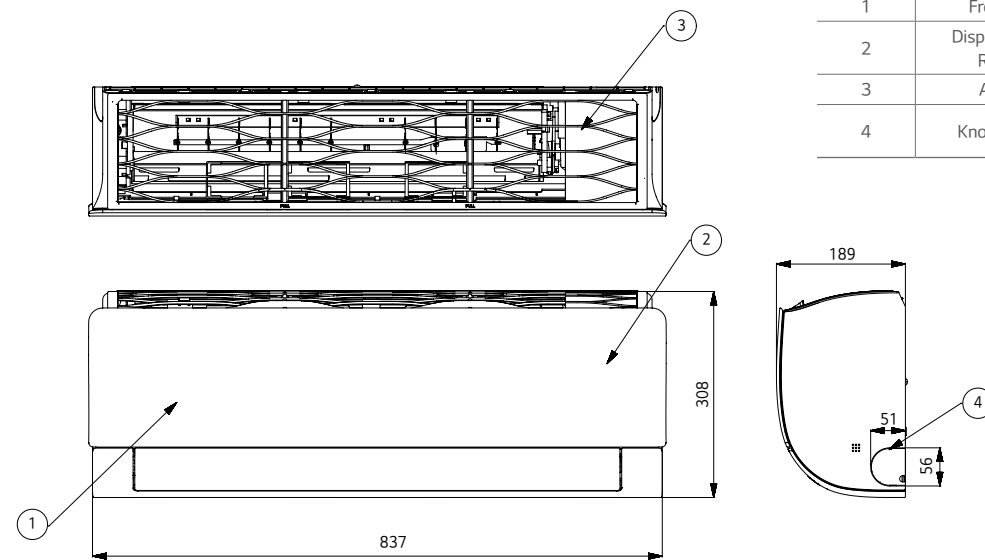
ITEM NO.	PART NAME	REMARK
1	Front Panel	
2	Display & Signal Receiver	Hidden
3	Air Filter	
4	Knockout hole	For pipe and cable



HC09RK NSJ / DC09RK NSJ / DC12RK NSJ / DC09RT NSJ / DC12RT NSJ / PC09SK NSJ
PC12SK NSJ / S09EQ NSJ / S12EQ NSJ / S09ET NSJ / S12ET NSJ

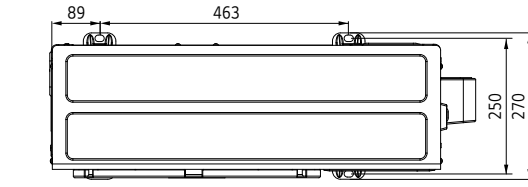
(Unit : mm)

ITEM NO.	PART NAME	REMARK
1	Front Panel	
2	Display & Signal Receiver	Hidden
3	Air Filter	
4	Knockout hole	For pipe and cable

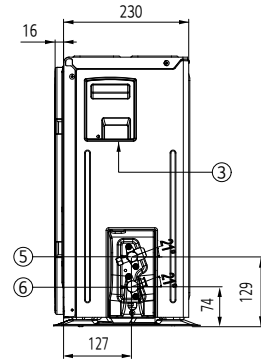
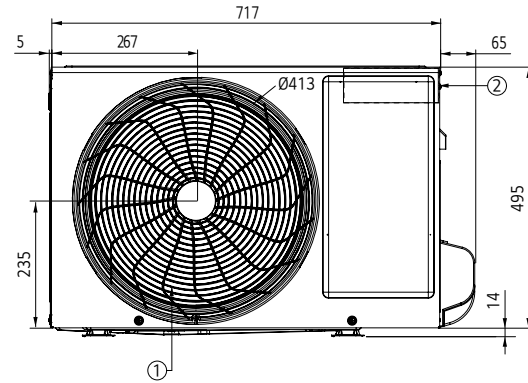


AC09BK UA3 / AC12BK UA3 / AB09BK UA3 / AB12BK UA3
 DC09RT UA3 / DC12RT UA3 / PC09SK UA3 / PC12SK UA3
 S09EQ UA3 / S12EQ UA3 / S09ET UA3 / S12ET UA3
 AP09RK UA3 / AP12RK UA3

(Unit: mm)

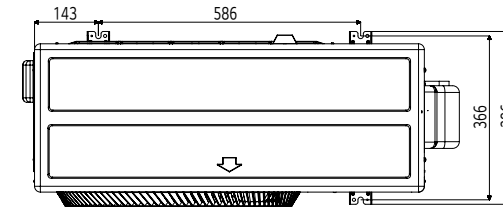


ITEM NO.	PART NAME
1	Air Outlet
2	Control Box
3	Power and Communication Cable Hole
4	Service Valve Cover
5	Gas Pipe Connection
6	Liquid Pipe Connection

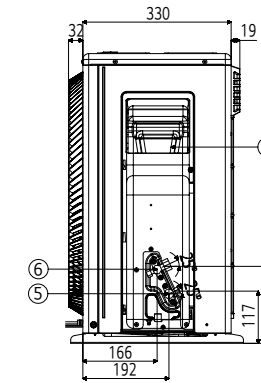
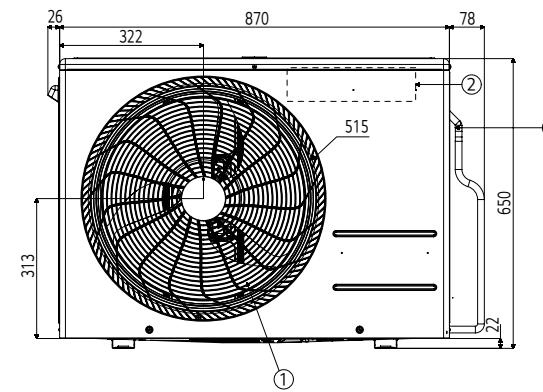


F09MT U24 / F12MT U24 / AC24BK U24 / AB24BK U24 / DC24RK U24
 PC24SK U24 / S24EQ U24 / S24ET U24

(Unit: mm)

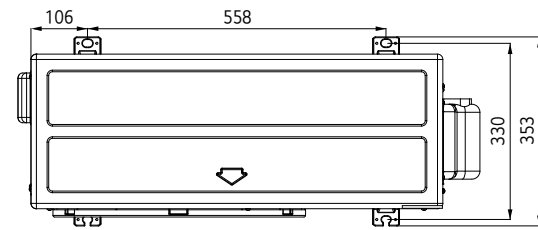


ITEM NO.	PART NAME
1	Air Outlet
2	Control Box
3	Power and Communication Cable Hole
4	Service Valve Cover
5	Gas Pipe Connection
6	Liquid Pipe Connection

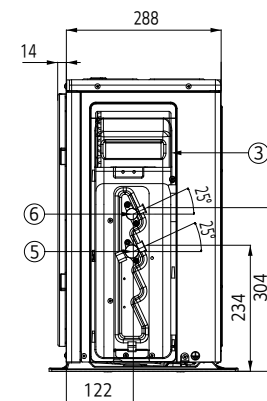
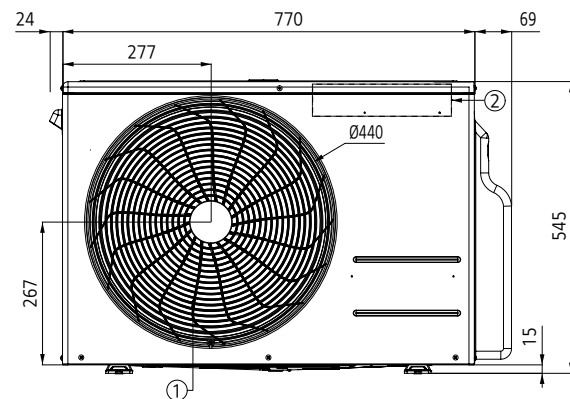


A09FT UL2 / A12FT UL2 / HC09RK UL2 / HC12RK UL2 / DC09RK UL2 / DC12RK UL2
 AC18BK UL2 / AB18BK UL2 / DC18RK UL2 / PC18SK UL2 / S18EQ UL2 / S18ET UL2

(Unit: mm)



ITEM NO.	PART NAME
1	Air Outlet
2	Control Box
3	Power and Communication Cable Hole
4	Service Valve Cover
5	Gas Pipe Connection
6	Liquid Pipe Connection



	ARTCOOL			DUALCOOL							
	Gallery	Mirror	Color	Prestige	Deluxe Hyper	Air Purification	DELUXE	Deluxe2	Standard Plus	Standard2	Standard
Wired Remote Controller	5k								Y		
	7k		Y	Y			Y		Y	Y	
	9k	-	Y	Y	Y	Y	Y	Y	Y	Y	-
	12k	-	Y	Y	Y	Y	Y	Y	Y	Y	-
	15k								Y		
	18k		Y	Y				Y		Y	-
PI 485	5k								-		
	7k		-	-			Y		-	-	
	9k	Y	-	-	-	Y	Y	Y	-	-	-
	12k	Y	-	-	-	Y	Y	Y	-	-	-
	15k								-		
	18k		-	-				Y		-	-
Dry Contact	5k								Y		
	7k		Y	Y			Y		Y	Y	
	9k	Y	Y	Y	Y	Y	Y	Y	Y	Y	-
	12k	Y	Y	Y	Y	Y	Y	Y	Y	Y	-
	15k								Y		
	18k		Y	Y				Y		Y	-
24k		Y	Y				Y		Y	-	

* Y : Available
 * When connected to Multi 14k & 16k Outdoor units, this may not be supported.

Standard Wired Remote Controller



Standard III PREMTB100 Standard III PREMTBB10



Standard II PREMTB001 Standard II PREMTBB01

Model Name	PREMTB100 PREMTBB10	PREMTB001 PREMTBB01
Operation Mode	On / Off, Fan Speed Control, Temperature Setting	
Mode Change	Cooling, Heating, Auto, Dehumidification, Fan	
Auto Swing / Vane Control	•	•
Reservation	Simple, Sleep, On / Off, Weekly, Holiday	
Time Display	•	•
Electrical Failure Compensation	•	•
Child Lock	•	•
Operation Status LED	•	•
Indoor Temperature Display	•	•
Wireless Remote Controller Receiver	-	•
Size (W x H x D, mm)	120 x 120 x 16	120 x 121 x 16
Backlight	•	•
Display AirQuality Status	-	-

* Refer to each model PDB for applicable models.

PI 485



PMNFP14A1

Power : Single phase AC 220V 50/60Hz
 Max. no of the indoor units that can be connected : 64 UNITS
 Model applied : RAC / Multi / Single / Therma V
 * Refer to each product PDB for applicable models.

Dry Contact



PDRYCB000 PDRYCB400



PDRYCB320 PDRYCB500 / PDRYCB510*

* Refer to each product PDB for applicable models.
 * No case for PDRYCB510

Model	PDRYCB000	PDRYCB400	PDRYCB320	PDRYCB500 / PDRYCB510*
Contact Point	1 Control Point	2 Control Point	8 Control Point	Modbus RTU
Power Input	AC 220V from outside power source	DC 5V & 12V from indoor unit PCB	DC 5V & 12V from indoor unit PCB	DC 5V & 12V from indoor unit PDB
Voltage / Non Voltage Input	-	•	•	-
On / Off Control	•	•	•	•
Lock / Unlock	-	•	-	-
Fan Speed Setting	-	-	•	•
Thermo Off	-	•	•	-
Energy Saving	-	•	-	-
Temperature Setting	-	•	•	•
Error Monitoring	•	•	•	•
Operation Monitoring	•	•	•	•

Remote Controller



Prestige
 Hyper Deluxe
 Artcool
 Deluxe
 Deluxe2
 Standard Plus
 Standard
 Standard2

Button	Display Screen	Description
	-	To turn on / off the air conditioner.
	88°C	To adjust the desired room temperature in cooling, heating or auto changeover mode.
COMFORT AIR	-	To adjust the air flow to indirect wind.
LIGHT OFF	-	To set the brightness of the display on the indoor unit.
MODE		To select the cooling mode.
		To select the heating mode.
		To select the dehumidification mode.
		To select the fan mode.
FAN SPEED		To select the auto changeover / auto operation mode.
		To adjust the fan speed.
ENERGY CTRL.	-	To bring the effect of the power saving.
JET MODE	PO	To change room temperature quickly.
		To adjust the air flow direction vertically or horizontally.
ROOM TEMP		To display the room temperature.
°C ↔ °F[5sec]	°C/°F	To change unit between °C and °F.
SET/ CANCEL	-	To set / cancel the functions and timer.
	-	To adjust time.
	-	To turn on / off air conditioner automatically.
	-	To cancel the timer settings.

* Remote Controller specifications may vary for each model.
 * Remote Controller specification, design and feature are subject to change without prior notice.

PORTABLE AIR CONDITIONER



01 Fast Cooling

The Need for Speed

LG's Portable Air Conditioner reaches the optimal temperature more quickly than on-off compressors with variable speed operations.



* Testing by TUV shows LG inverter air conditioner (US-Q242K*) cools up to 40% more faster than LG non-inverter air conditioner (TS-H2465DA0).
* TUV report No. 50068748 001

Portable Comfort at Home

LG Portable Air Conditioner DUAL Inverter provides optimized high-speed airflow, which can cool rooms faster.

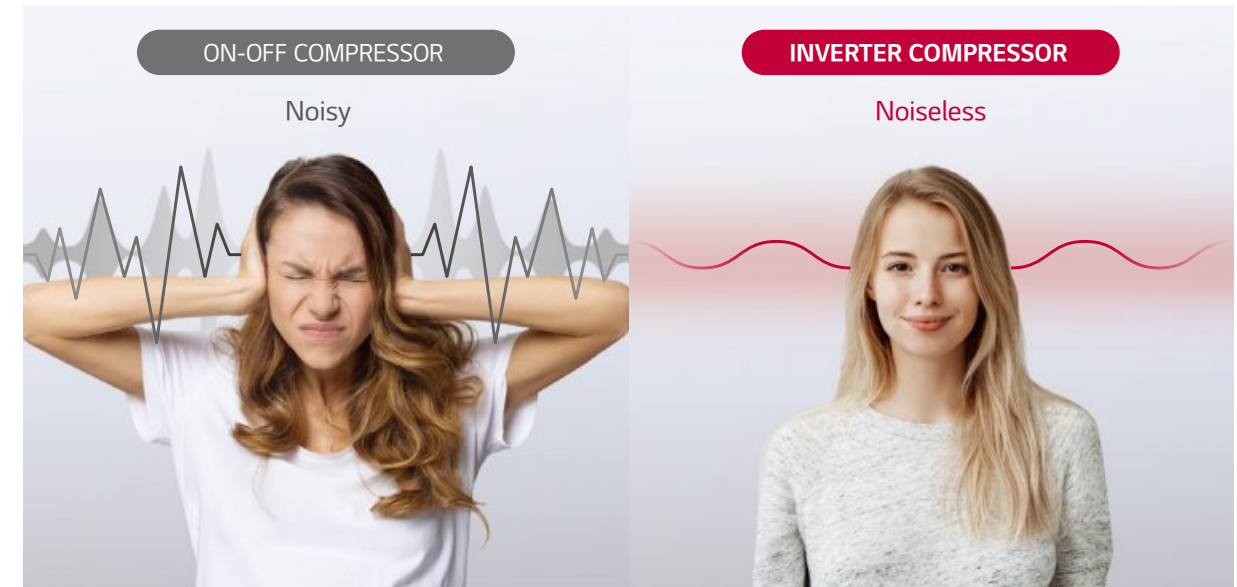


※ How it works : One Click "Jet Mode"

02 Low Noise

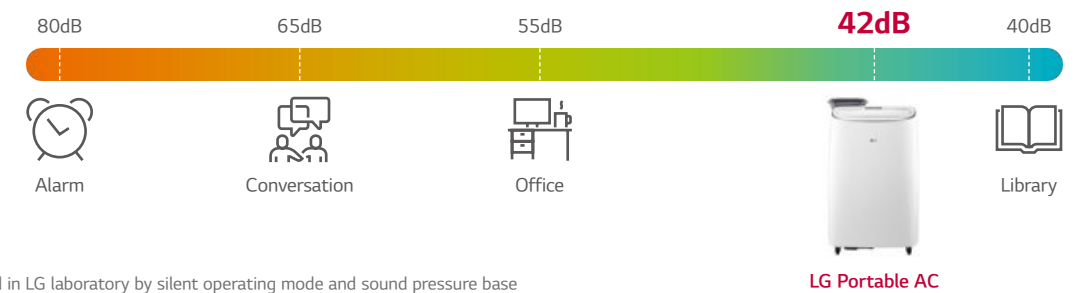
Peace and Quiet

The LG Inverter Compressor operates more quietly at 42dB for indoor comfort.



*Lo-Decibel™

LG Portable Air Conditioner DUAL Inverter operates at low sound levels as low as 42dB*, thanks to LG's unique BLDC Motor and DUAL Inverter Compressor™



* Tested in LG laboratory by silent operating mode and sound pressure base
* Since this product has a compressor inside, it may cause mechanical noise during operation.

What is LG Inverter Technology?

LG Inverter Technology can be found in many of LG's renowned devices, from refrigerators and washing machines to our air conditioner line-up. This technology allows the inverter compressor to achieve superior energy efficiency, cooling performance and comfort compared to compressors with on-off capabilities.



03 Clean Air

Say Goodbye to Odor

Auto-cleaning functions and two easily washable filters provide clean air

The auto cleaning function prevents potentially harmful substances from forming on the surface of the heat exchanger.

The indoor environment remains odorless with the advanced deodorizing function.

The risk of polluting the heat exchanger by various germs and bacteria is eliminated.

※ Drying conditions may vary depending on the environment of use.

Washable Filters

LG has filters in the upper and lower suction areas respectively. Without the bottom filter, dust can continue to enter the product, resulting in poor performance or drainage problems.

OTHER

Filter (Washable)

Lack of filter in suction area below

LG

2 washable filters

04 Easy Storage

Convenient Anytime, Anywhere Access

Easy storage of exhaust hose and window (sliding) sealing plate

INCONVENIENT

Separate exhaust hose from product (Cannot store as an all-in-one)

Inconvenient power cord storage

CONVENIENT

Ease-to-store power cord using an attached hook

Convenient storage of the exhaust hose and window sealing plate

Easy Installation

The installation kit and hose make it easy to install and store, saving you space. Smooth gliding caster wheels allow to move it around the home and office.



05 Conveniences

Voice Control

Simple, time-saving voice control for easy access

OK Google, turn on the air conditioner.

Sure, turning on

- Voice command to AI Speaker
- AI Speaker changes user input from voice to text
- AI Speaker server recognizes user is invoking the Appliance skill, passing the user's intent to LG Server
- LG Server activates appliance

※ Smart features and voice assistant product may vary by country and model. Check with your local LG office or retailer for service availability

Smart Control

Control key features by using the ThinQ app on your smartphone and get important notifications from anywhere

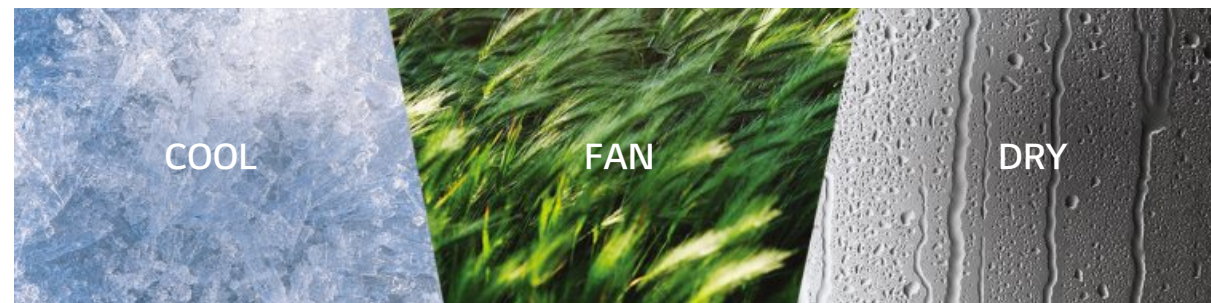
ThinQ®

- Controlling & Monitoring
- Integrated Home Appliances Control
- Air Conditioner Control with Wi-Fi

※ For our policy of continuous ThinQ App improvement, specification, design and features are subject to change without prior notice.

3 in 1 Operation

The cool mode is ideal for powerful cooling and dehumidifying on hot days. In fan mode, the fan circulates air while the dry mode is ideal for rainy and damp days



MODEL	PA11WS			
Performance	Capacity	Min. / Rated / Max.	W	1,400 / 2,500 / 2,600
	Power Input	Rated / Max.	W	805 / 910
	EER		W/W	3.1
	Energy Label (A+++ to D Scale)			A+
	Sound Pressure	S / L / M / H / Max.	dB(A)	42 / 44 / 47 / 50 / 53
	Sound Power	Power	dB(A)	65
	Air Flow Rate	S / L / M / H	m ³ /min	3.8 / 4.2 / 5.0 / 6.6
		Max. (Power)	m ³ /min	7
	Dehumidification Rate		l/h	1.2
	Power Supply		∅ / V / Hz	1 / 220-240 / 50
Refrigerant	Type		R290	
	Pre Charge	kg	0.220	
	t-CO ₂ eq		0.001	
	GWP		3	
Compressor Type			Inverter Twin Rotary	
Dimensions	Product Net size (W x H x D) (mm)		493 x 773 x 460	
	Net Weight (kg)		30.0	
	Hose Diameter (mm)		150	
	Hose Length (m)		1.5	
Features	Embedded Wi-Fi (ThinQ)		Yes	
	Voice Control		Yes	
	Operation Mode		Cool / Dry / Fan	
	Auto Evaporating System		Yes	
	Remote Controller		LCD Remote Controller	
	Air Direction		2 Way Swing	
	Auto Restart		Yes	
	Auto Clean		Yes	
	Child Lock		Yes	
	Water Full Indicator		Yes	
	Timer		24hr, On/Off	
	Air Filter (2 EA)		Washable	
	Light On/Off		Dimming (100 / 50 / 0)	

※ GWP : Global warming potential

※ t-CO₂eq : F-gas(kg)*GWP/1000

※ Specification, design and feature are subject to change without prior notice.

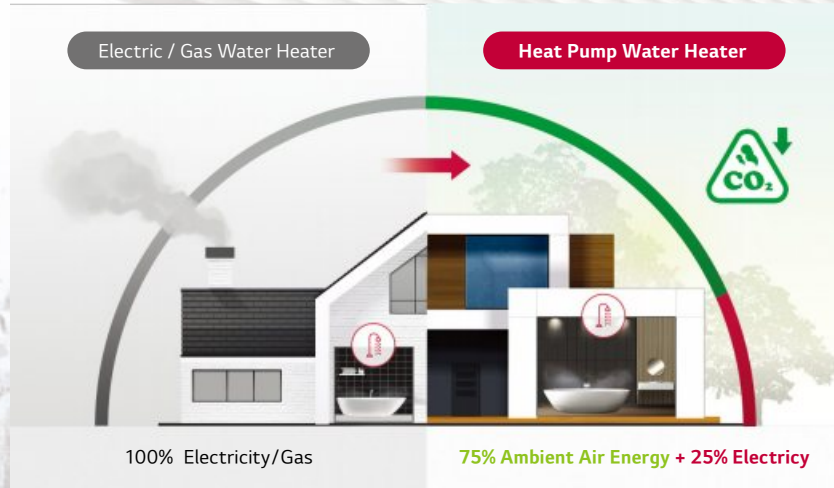
THERMA V

HEAT PUMP WATER HEATER



What is a Heat Pump Water Heater?

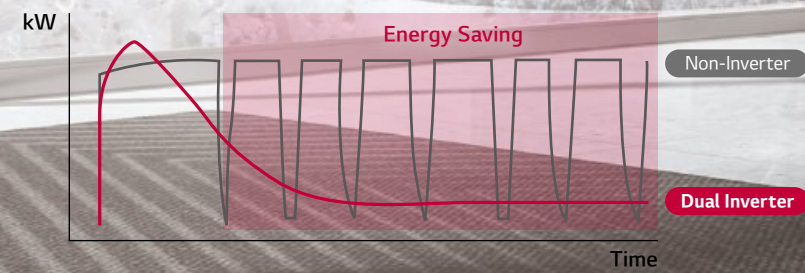
With an increasing emphasis on eco-conscious energy solutions, the LG Heat Pump Water Heater obtains 75% of its energy from outside air. This renewable energy source converts low temperature to high temperature using two heat exchangers, a condenser and an evaporator.



* LG Inverter Technology

LG Inverter Technology can be found in many of LG's renowned devices, from refrigerators and washing machines to our air conditioner line-up. This technology allows the inverter compressor to achieve superior energy efficiency, cooling performance and comfort compared to compressors with on-off capabilities.

Power Consumption Change



Flexible Installation Locations



Laundry Room



Storage Room



Bathroom



Bathroom



Garage

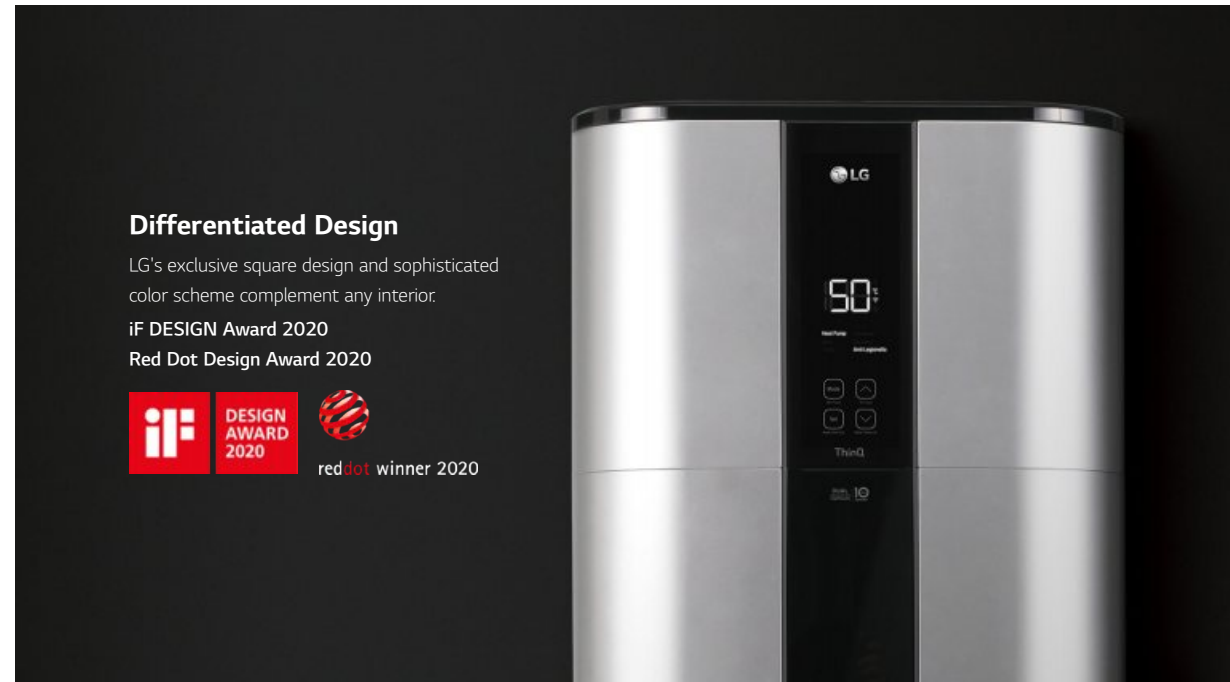


Garage

※ Actual product appearance may differ from the above simulated scene.

Stylish Design

LG unit's exclusive square shape and luxury silver color make it an excellent fit for any interior design.

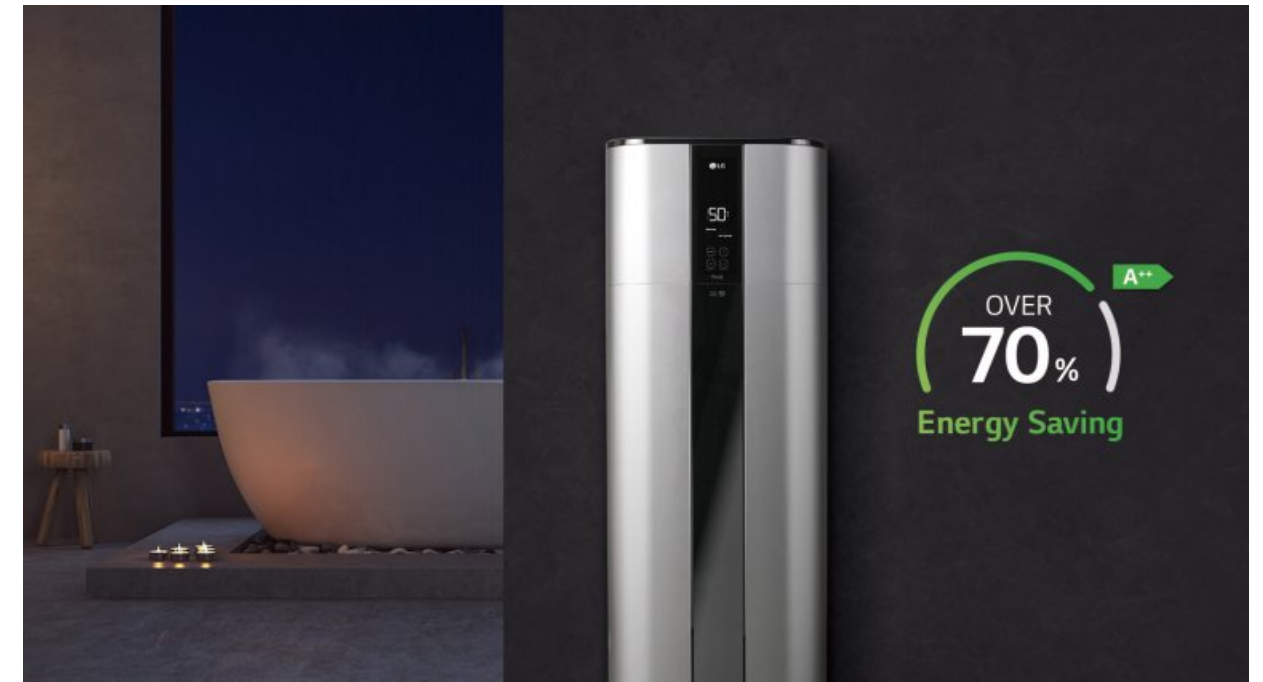


Perfect Matching with Various Spaces



Top Class Energy Efficiency

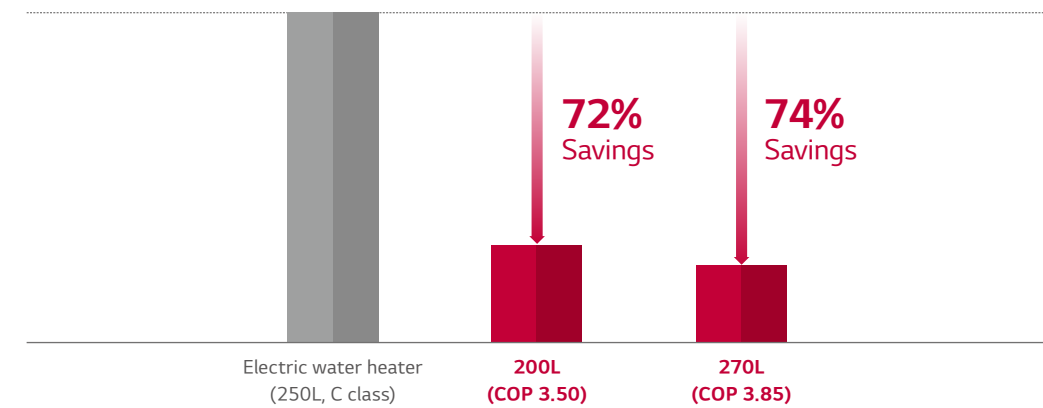
LG's new Inverter Heat Pump Water Heater with the highly efficient DUAL Inverter Compressor allows for impressive energy savings of over 70% compared to a conventional electric heater.



Energy Saving

Benefiting from the market's first DUAL Inverter Compressor, LG's Heat Pump Water Heater can run at low rotational speed (up to 10Hz), reducing energy consumption by 70% more than an electric water heater (250L, C class).

Average Estimated Energy Consumption Savings Per Year



※ Simulation Data on Daily Electricity Consumption, based on EU Climate conditions (Average, 15°C).
 ※ The data are based on LG Internal Simulation.
 ※ The data depend on the experimental conditions and is changeable according to the usage environment

Powerful Heating Performance

The DUAL Inverter Compressor maximizes the heat pump's power in turbo mode for a 30% faster heating time for first-use water than in auto operation mode.



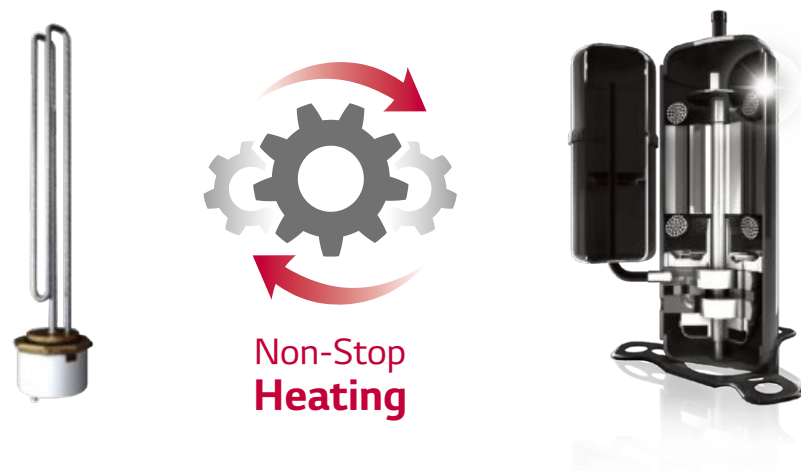
Fast & Powerful Water Heating

Turbo mode can run at high speeds (up to 80Hz) with simultaneous heating. The target water temperature in the tank will be achieved 30% faster in Turbo mode than in auto use mode or auto mode. Furthermore, Turbo mode can recover the water at 25% warmer temperatures than Use auto mode or Auto mode in one hour of operation starting from an empty tank.

- ※ The data are based on LG internal tests and simulations.
- ※ The data depend on the experimental conditions and are changeable according to the usage environment.

Continuous Operation

The two heat sources, two heaters and a heat pump complement each other perfectly. If the heat pump or one of the heaters fails, the other heat source allows alternative operation.



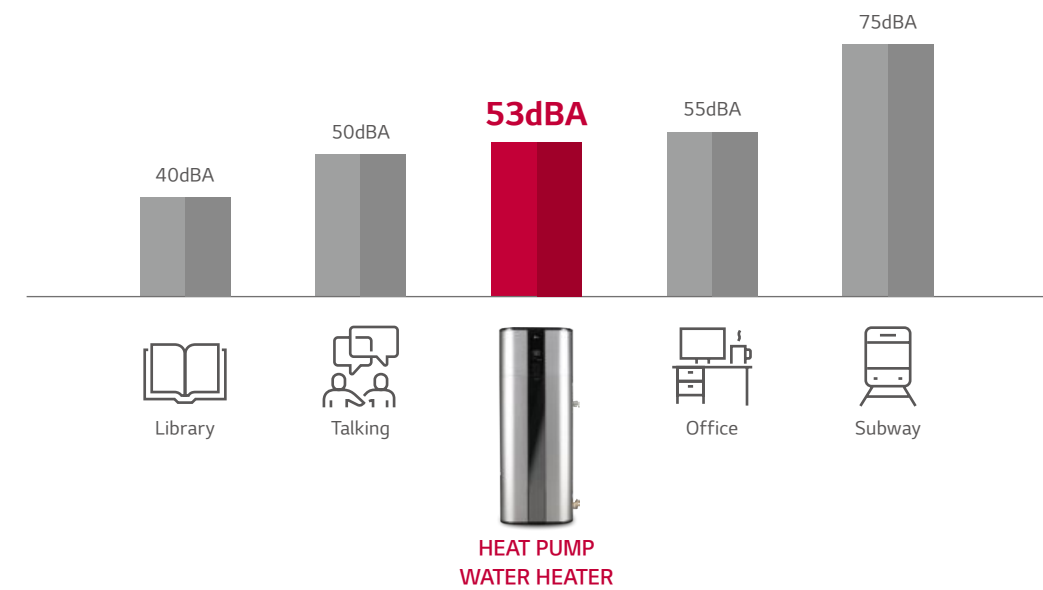
Low Noise Operation

Through BLDC Motor and DUAL Inverter Compressor, noise is reduced to 53dBA (sound power) and provides a comfortable environment even in indoor installation scenes.



Low Noise Operation

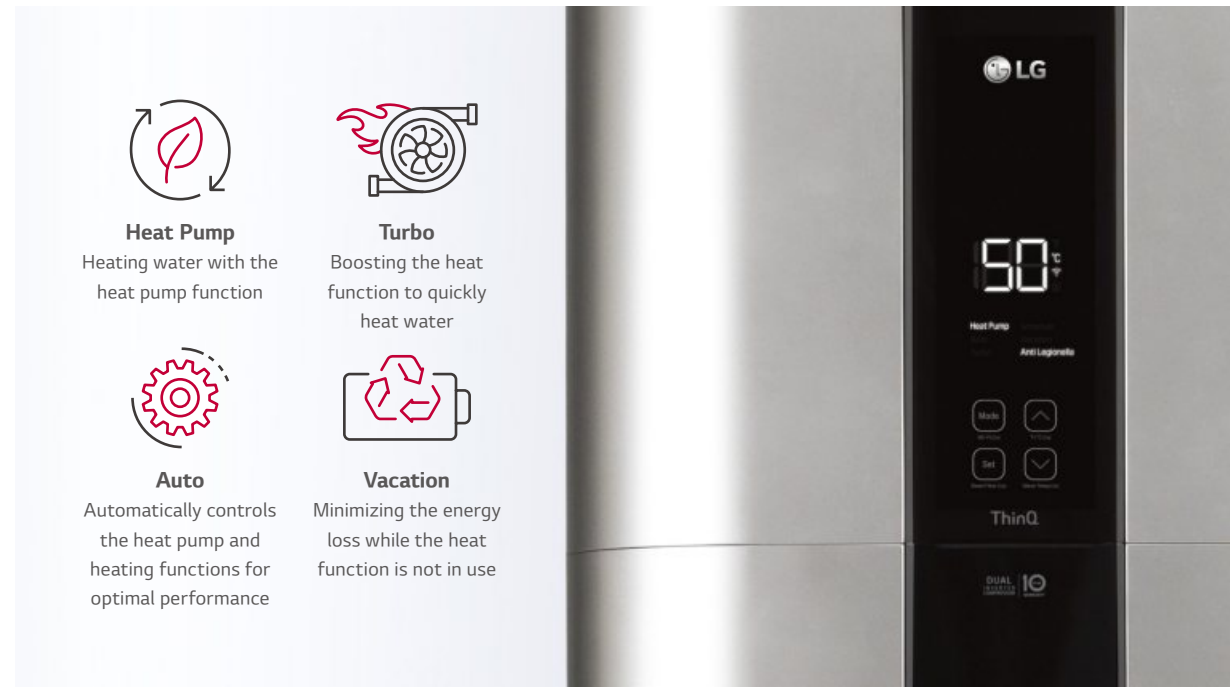
Through BLDC Fan Motor and DUAL Inverter Compressor, noise is reduced to 53dBA and creates a comfortable environment even in indoor installation scenes.



- ※ Sound Pressure is 38dBA based on LG internal test.
- ※ The data are based on LG internal test (Sound Power).
- ※ The data are based on LG internal tests and simulations.
- ※ The data are depending on the experimental conditions and is changeable according to the usage environment.

Various Operation Mode

LG Inverter Heat Pump Water Heater can be operated in 4 different modes for different conditions.

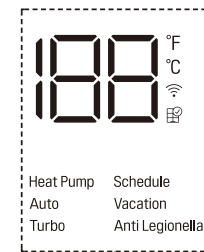


Operation

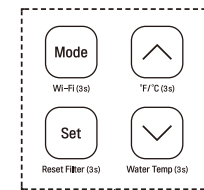


Using Basic Control

Display Screen



Display Screen

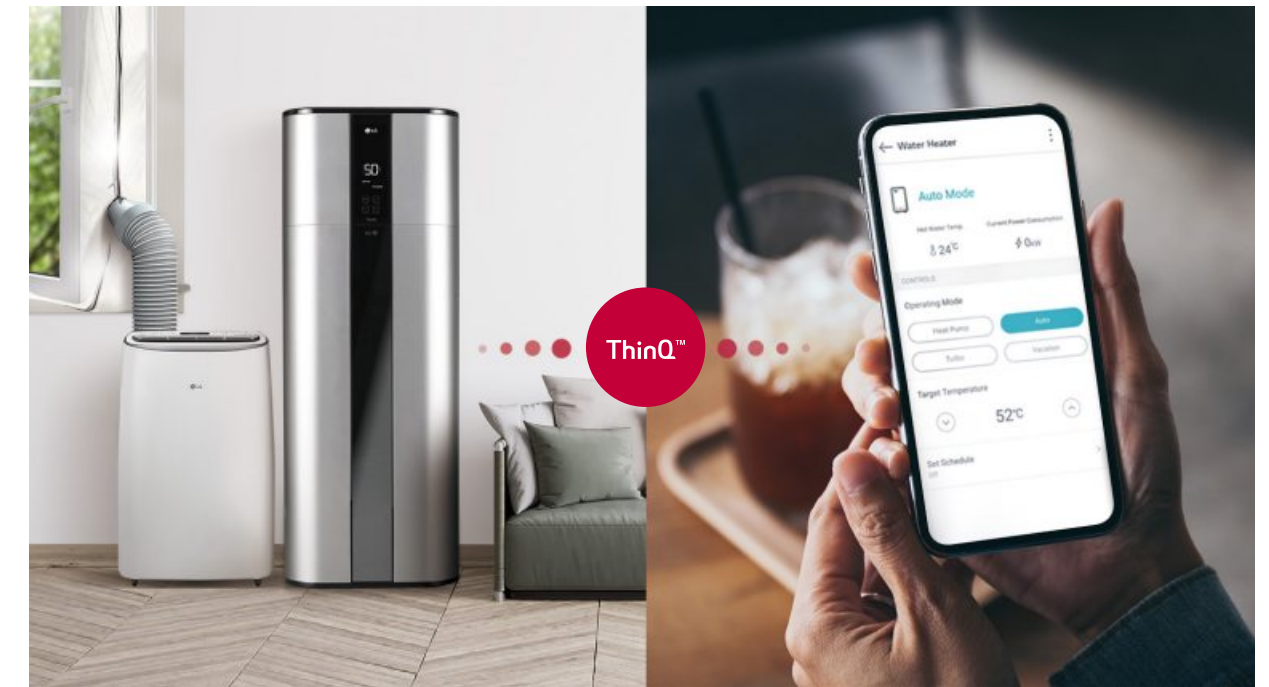


Button

Button	Display Screen	Description
Mode	Heat Pump	To select the Heat Pump mode.
	Auto	To select the Auto mode.
	Turbo	To select the Turbo mode.
	Vacation	To select the Vacation mode.
-	Schedule	Set Schedule mode only in ThinQ application.
-	Anti Legionella	To select the Anti Legionella mode.
Set	-	To set the desired water temperature.
↑ ↓	18.8	To adjust the desired water temperature.
Wi-Fi (3s)	Wi-Fi icon	To enable the Wi-Fi pairing.
Reset Filter (3s)	Filter icon	To reset the filter alarm.
°F/°C (3s)	°F °C	To change unit between °F and °C.
Water Temp (3s)	18.8	To display the current water temperature for 5 seconds.

Smart Control

With the ThinQ smartphone app, users can easily control and monitor the heat pump, checking for current water temperatures, setting operating schedules and more.



※ For our policy of continuous ThinQ App improvement, specification, design and features are subject to change without prior notice.

Embedded Wi-Fi

You can control the ThinQ app, checking information such as current water temperature, operating mode and more.



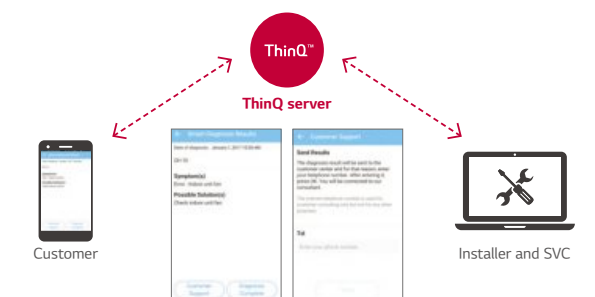
Smart Diagnosis

Smart Diagnosis allows users to conveniently check setup, installation, troubleshooting and other information directly from a smartphone.



Easy Check & Monitoring

Easily comprehensible error messages make detecting a solution and contacting the service center simple and convenient.



powered by
DUAL Inverter Compressor™

LG's DUAL Inverter Compressor™ saves energy with a wide power-saving operating range and produces efficient heating, performing quietly even in max operation mode.



Varied-Speed Dual Rotary

A compressor motor has a wider energy efficient rotational frequency and a higher volumetric quick cooling capacity compared to a conventional non-inverter compressor.

Product Reliability Improvement

As twin rotaries balance each other while they are rotating with high speed, it reduces noise dramatically compared to a shaking single rotary compressor. The reduction in vibration reduces the possibility of fractures occurring in the surrounding pipework.

※ The data are based on LG internal tests and simulations.
 ※ The data depend on the experimental conditions and are changeable according to the usage environment.

Benefit & Verification

Reliable Water Heater

The product safety is guaranteed with a 10-year warranty offered to customers.



Verification

TUV Rheinland, Long Term Accelerated-reliability Test & High Marginal Test

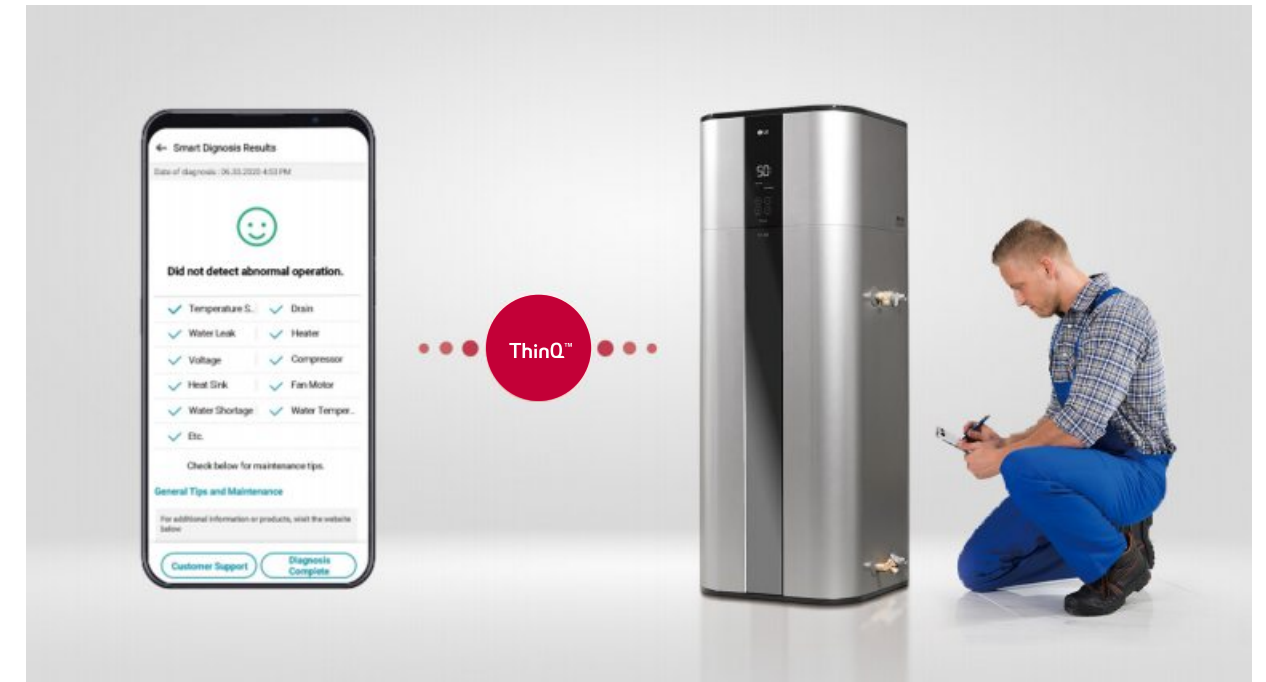


Twin Rotary Type

※ Long Term Accelerated-Reliability test
 LG's unique testing method with reinforced operating condition for a product life assurance to test and determine the product life cycle in a short period of time by accelerating the life cycle.
 ※ High Marginal Test
 Test method to secure durability in various adverse conditions that may occur in the field by performing compressor reliability test against higher pressure and temperature than the designed range of pressure and temperature which the compressor operates in.
 ※ Verification obtained from TUV Rheinland for 10-year product life cycle.

Quick & Easy Installation

The machine's one-direction inlet and outlet piping and easy-to-connect wires in the junction box allow for quick and easy installation. Furthermore, the ThinQ app provides Service Alarm and Self Diagnosis programs for convenient maintenance.



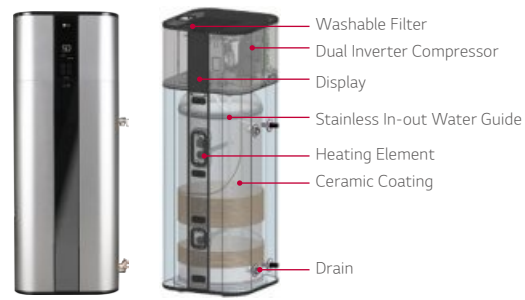
※ For our policy of continuous ThinQ App improvement, specification, design and features are subject to change without prior notice.

10 Year Warranty of Water Tank

Ceramic coating inside the water tank meets Germany Ceramic Standard DIN 4753 and guarantees 10 years of corrosion resistance.



※ Other Parts warranty may vary according to After Sales Service condition



SALES MODEL		WH20S	
FACTORY MODEL		R5TT20F-SA1	
Capacity	Volume (Nominal)	200L	
Energy Efficiency ¹⁾	COP (7°C / 15°C)	3.30 / 3.50	
Energy Consumption	Annual Energy Consumption (7°C / 15°C)	kWh	756 / 709
Load Profile		Large	
Power Input	Upper Element Wattage (230V)	kW	2
	Lower Element Wattage (230V)	kW	2
Energy Efficiency Class (7°C / 15°C)		A+ / A+	
Power Supply	Ø, V, Hz	1 / 230 / 50	
Available Voltage Range	V	195 - 265	
Operating Mode		Turbo / Auto / HeatPump / Vacation	
Air Flow Rate	H / M	m ³ /min	6.7 / 4.4
	H / M	CFM	236.6 / 155.4
Sound Pressure Level	Auto	dB(A)+3	38
Sound Power Level		dB(A)	55
Dimensions	Net (W x H x D)	mm	580 x 1,625 x 582
Weight	Net	kg	100
Nominal insulation thickness	Min. / Max.	mm	40 / 80
Heat Pump Operation Range	Min. / Max.	°C DB	-5 / 48
Exterior Color Code		Luxury Silver	
Compressor	Type	-	Inverter Twin Rotary
	Warranty	Year	10
	Manufacturer	-	LG Electronics
	Motor Output	W	43
Design Pressure (System)	High Side	-	2.0MPa / 290 PSI
	Low Side	-	0.9MPa / 130.5 PSI
Max. Working Pressure (Water Tank)		-	150 PSI (1034 kPa)
Circuit Breaker		A	15
Condensate water connection	I.D	mm	19, 12.7
V40 (Mixed water at 40°C)		L	260
Refrigerant	Type	-	R134a
	Pre Charge	kg	0.650
	GWP		1,430
	t-CO ₂ eq		0.930
Defrost Method		-	Reverse Cycle
Anode			ICCP (Impressed Current Cathodic Protection)
T&P Relief Valve		-	Yes
Water Connection Location		-	side
Water Connection Size		inch	G ¾ M
Digital Display		-	Yes
Wi-Fi (ThinQ) ²⁾		-	Yes
Tank Warranty		Year	10

1) Water Heater Energy Efficiency (At Auto mode)

2) ThinQ Main Function

- Operation mode (Auto, Heatpump, Turbo, Vacation, Schedule), Temperature setting
- Monitoring hot water Temperature
- Maintenance point Alarm (Filter, Anode Rod, etc.)

※ This product contains Fluorinated greenhouse gases (R134a).

※ GWP : Global warming potential

※ t-CO₂eq : F-gas(kg)*GWP/1000

※ Specification, design and feature are subject to change without prior notice.



SALES MODEL		WH27S	
FACTORY MODEL		R5TT27F-SA0	
Capacity	Volume (Nominal)	270L	
Energy Efficiency ¹⁾	COP (7°C / 15°C)	3.45 / 3.85	
Energy Consumption	Annual Energy Consumption (7°C / 15°C)	kWh	712 / 646
Load Profile		Large	
Power Input	Upper Element Wattage (230V)	kW	2
	Lower Element Wattage (230V)	kW	2
Energy Efficiency Class (7°C / 15°C)		A+ / A++ ²⁾	
Power Supply	Ø, V, Hz	1 / 230 / 50	
Available Voltage Range	V	195 - 265	
Operating Mode		Turbo / Auto / HeatPump / Vacation	
Air Flow Rate	H / M	m ³ /min	6.7 / 4.4
	H / M	CFM	236.6 / 155.4
Sound Pressure Level	Auto	dB(A)+3	38
Sound Power Level		dB(A)	55
Dimensions	Net (W x H x D)	mm	580 x 2,008 x 582
Weight	Net	kg	119
Nominal insulation thickness	Min. / Max.	mm	40 / 80
Heat Pump Operation Range	Min. / Max.	°C DB	-5 / 48
Exterior Color Code		Luxury Silver	
Compressor	Type	-	Inverter Twin Rotary
	Warranty	Year	10
	Manufacturer	-	LG Electronics
	Motor Output	W	43
Design Pressure (System)	High Side	-	2.0MPa / 290 PSI
	Low Side	-	0.9MPa / 130.5 PSI
Max. Working Pressure (Water Tank)		-	150 PSI (1034 kPa)
Circuit Breaker		A	15
Condensate water connection	I.D	mm	19, 12.7
V40 (Mixed water at 40°C)		L	360
Refrigerant	Type	-	R134a
	Pre Charge	kg	0.750
	GWP		1,430
	t-CO ₂ eq		1.072
Defrost Method		-	Reverse Cycle
Anode			ICCP (Impressed Current Cathodic Protection)
T&P Relief Valve		-	Yes
Water Connection Location		-	side
Water Connection Size		inch	G ¾ M
Digital Display		-	Yes
Wi-Fi (ThinQ) ³⁾		-	Yes
Tank Warranty		Year	10

1) Water Heater Energy Efficiency (At Auto mode)

2) Energy Label marked A+ and more than COP 3.75 in EU Standard is A++

3) ThinQ Main Function

- Operation mode (Auto, Heatpump, Turbo, Vacation, Schedule), Temperature setting
- Monitoring hot water Temperature
- Maintenance point Alarm (Filter, Anode Rod, etc.)

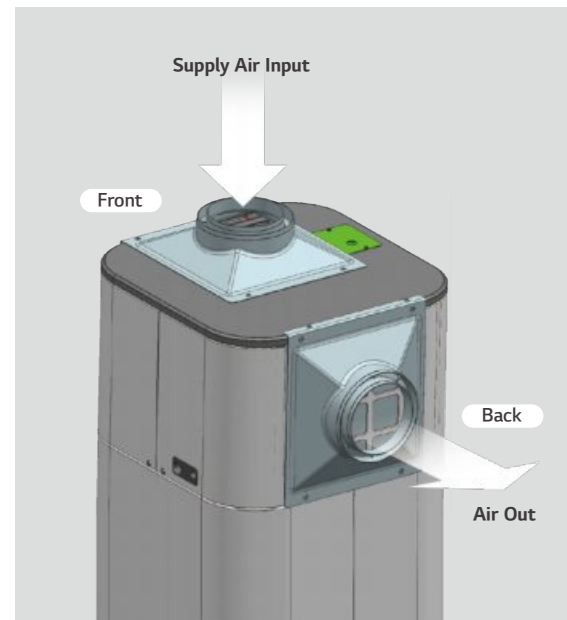
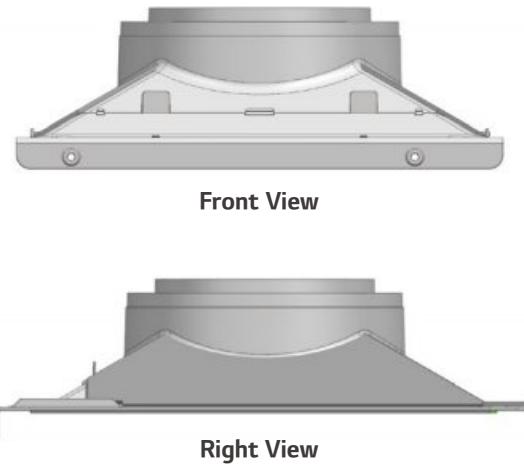
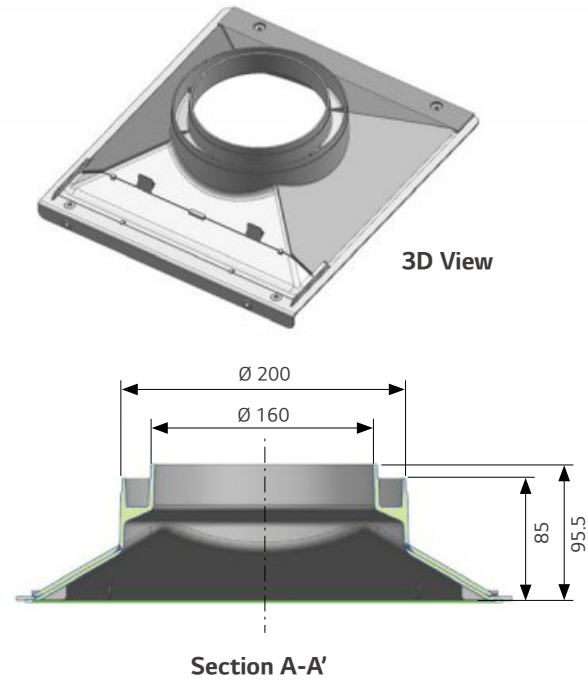
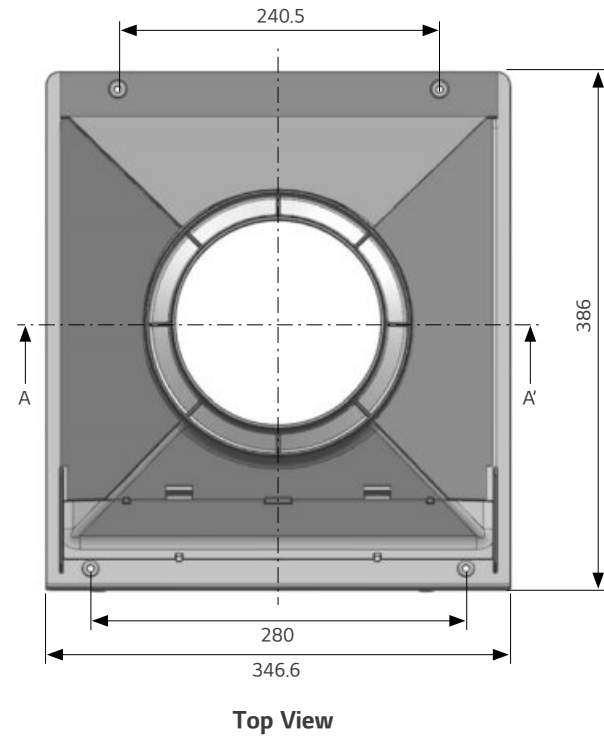
※ This product contains Fluorinated greenhouse gases (R134a).

※ GWP : Global warming potential

※ t-CO₂eq : F-gas(kg)*GWP/1000

※ Specification, design and feature are subject to change without prior notice.

Accessory (Air Duct)



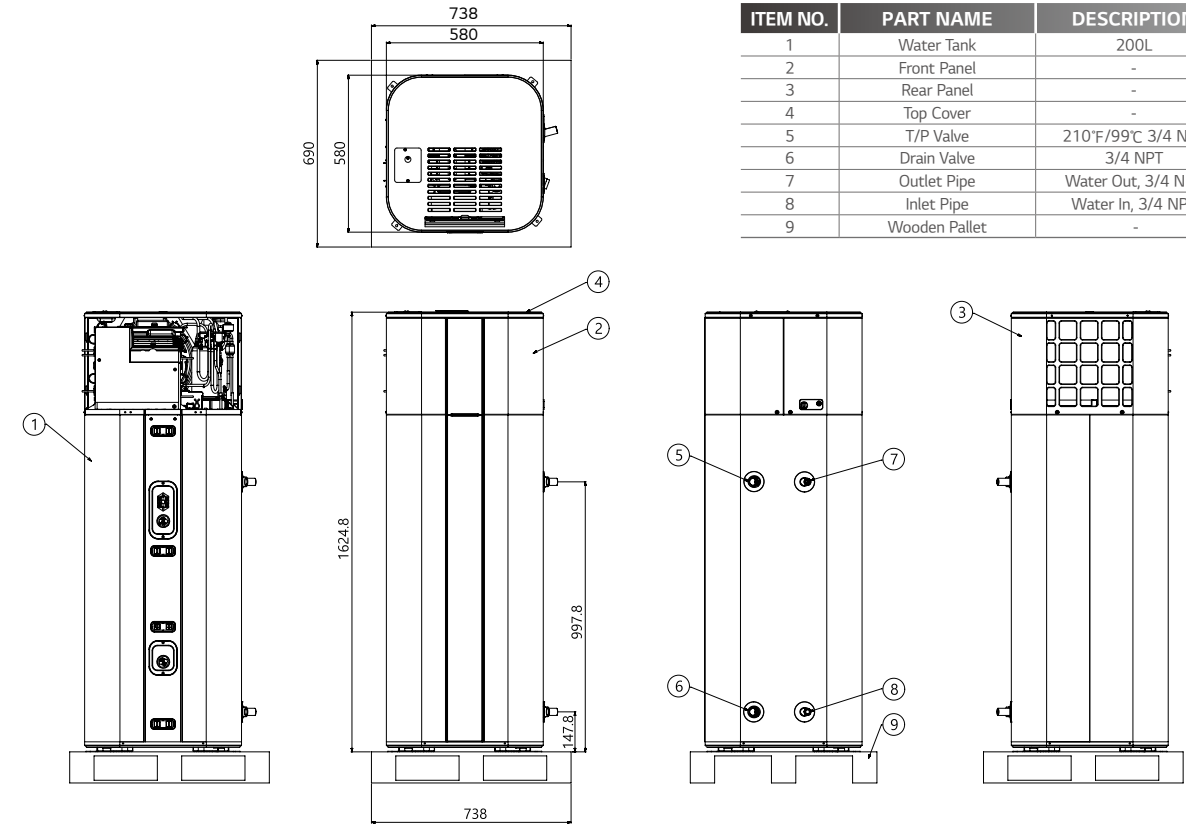
Specification

MODEL NAME	PHDCLA0
Material	ABS (Light Gray)
Weight (g)	480g ± 5
Size (mm)	346.6 x 386 x 95.5

WH20S(R5TT20F-SA1)

(Unit : mm)

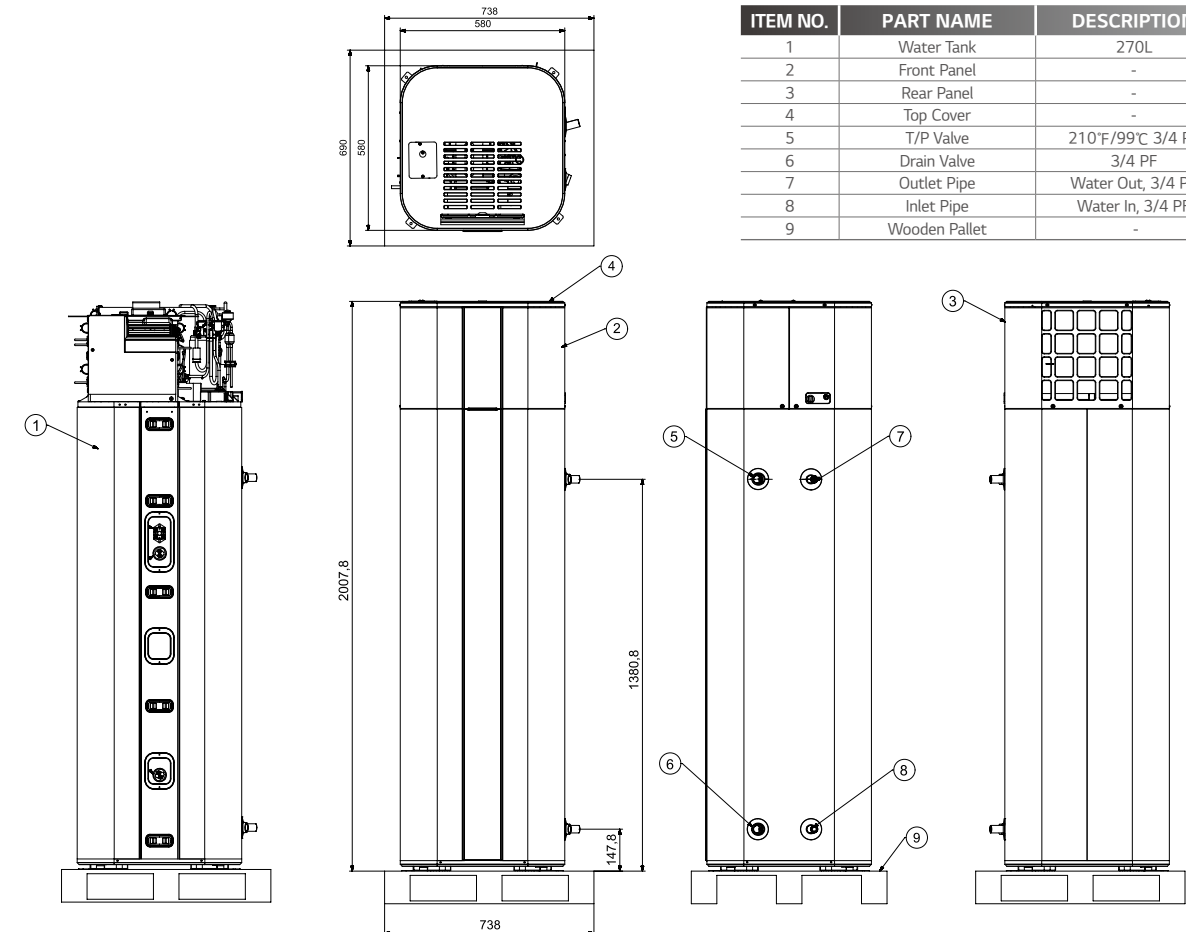
ITEM NO.	PART NAME	DESCRIPTION
1	Water Tank	200L
2	Front Panel	-
3	Rear Panel	-
4	Top Cover	-
5	T/P Valve	210°F/99°C 3/4 NPT
6	Drain Valve	3/4 NPT
7	Outlet Pipe	Water Out, 3/4 NPT
8	Inlet Pipe	Water In, 3/4 NPT
9	Wooden Pallet	-



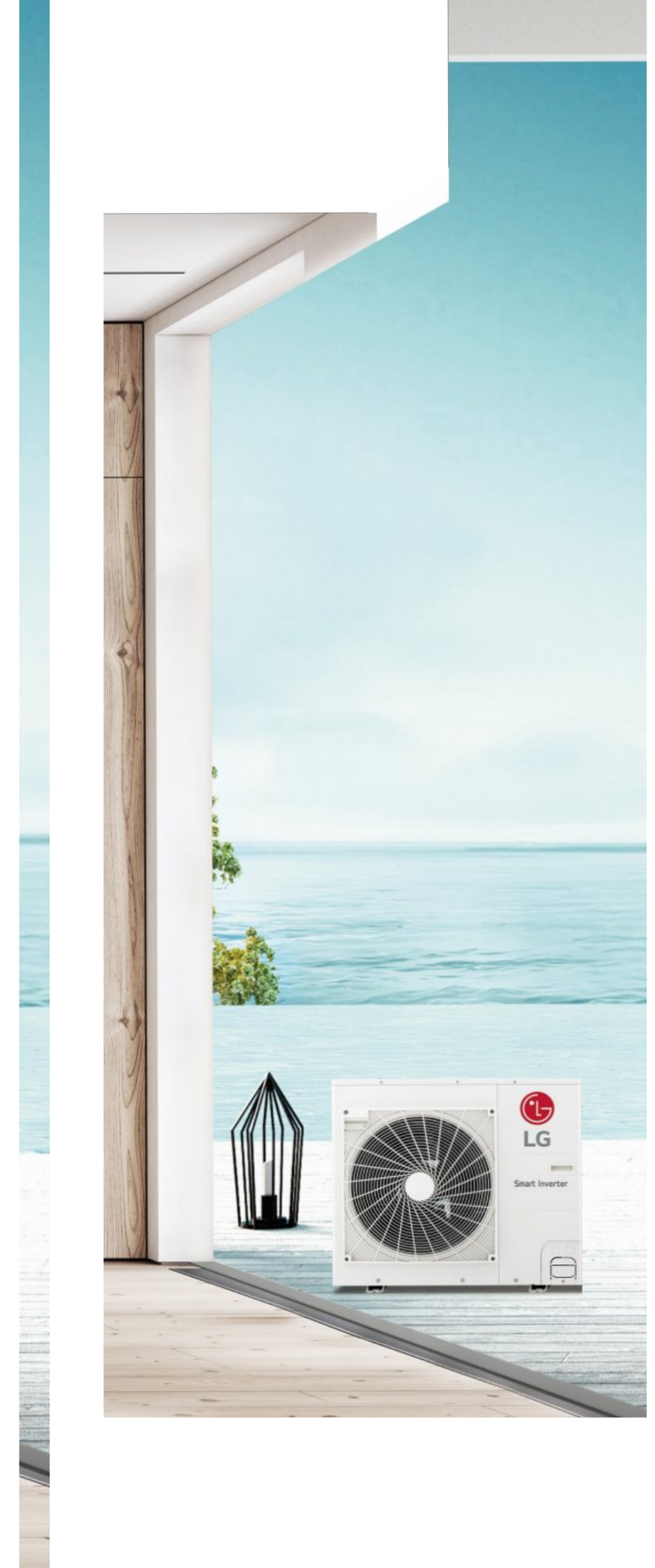
WH27S(R5TT27F-SA0)

(Unit : mm)

ITEM NO.	PART NAME	DESCRIPTION
1	Water Tank	270L
2	Front Panel	-
3	Rear Panel	-
4	Top Cover	-
5	T/P Valve	210°F/99°C 3/4 PF
6	Drain Valve	3/4 PF
7	Outlet Pipe	Water Out, 3/4 PF
8	Inlet Pipe	Water In, 3/4 PF
9	Wooden Pallet	-



MULTI SPLIT



REFRIGERANT		R32					R32				R410A		
TYPE		MULTI PIPING					MULTI PIPING				DB BOX TYPE		
kBTu/h		14	16	18	21		24	27	30	40	40	48	56
kW		4.1	4.7	5.3	6.2		7.0	7.9	8.8	11.7	11.7	14.1	16.4
Energy Efficiency	BLDC Comp & Fan Motor	•	•	•	•		•	•	•	•	•	•	•
	Eurovent Certification	•	•	•	•		•	•	•	•	•	•	•
	Variable Voltage Control			•	•		•	•	•	•	•	•	•
	Wide Louver Plus Fin	•	•	•	•		•	•	•	•	•	•	•
	Optimized Heat Exchanger Path	•	•	•	•		•	•	•	•	•	•	•
	Power Saving Start up			•	•		•	•	•	•	•	•	•
	Peak Current Control	•	•	•	•		•	•	•	•	•	•	•
	Standby Mode	•	•	•	•		•	•	•	•	•	•	•
	Mode Lock	•	•	•	•		•	•	•	•	•	•	•
Extreme Durability	R1 Compressor									•	•	•	•
	Twin Rotary Compressor	•	•	•	•		•	•	•				
	Smart Sensor Pressure Control			•	•		•	•	•	•	•	•	•
	Black Fin Heat Exchanger	•	•	•	•		•	•	•	•	•	•	•
Comfort & Convenience	Fast Cooling & Heating			•	•		•	•	•	•	•	•	•
	Night Silent Operation	•	•	•	•		•	•	•	•	•	•	•
	Wiring Error Check	•	•	•	•		•	•	•	•	•	•	•
	LG MV	•	•	•	•		•	•	•	•	•	•	•
	PI-485 Connection			•	•		•	•	•	•	•	•	•
	Forced Cooling Operation	•	•	•	•		•	•	•	•	•	•	•

PERFECT SOLUTION FOR MULTIPLE ROOMS



Energy Efficiency | Extreme Durability | Comfort and Convenience

LG's Multi Split system provides powerful, efficient cooling and heating with **up to nine indoor units** operating from a single outdoor unit. LG's advanced inverter technology offers powerful performance while consuming less energy, occupying less space and making less noise compared to individual (two or more) single split systems.

A variety of sleek and elegant indoor units are available in a full range of capacities fitting any decor and room sizes.

With easy installation, there is a lower chance of technical defects, while various convenient functions for easy maintenance are proposed.



Enjoy A New Level Of Fresh Air

UVnano™ Filter Box



LG UVnano Filter Box can effectively create a safe indoor environment by trapping and removing various harmful substances such as Ultrafine dust, bacteria and viruses in the form of droplets.



Air Purification Operation



1) Based on TÜV Rheinland test conducted according to LG test method in compliance with ISO 20743, removing 99.99 percent of Staphylococcus aureus, Staphylococcus epidermidis, and Klebsiella pneumoniae after being exposed to UV LED lights for 4 hours (Tested Models : PBM13M3UA0, PBM13M2UA0, PBM13M1UA0)
 2) Based on KCL (Korea Conformity Laboratories). The test was conducted in compliance with ISO 16890

Certificate

Certified Test Report
 The built-in UV LED module of the tested model (PBM13M3UA0) demonstrated over 99.99% disinfection performance on bacteria at measuring points of the Pre-Filter under the proposed test conditions.

** Tested by TUV Rheinland Standard

Certified Test Report
 The built-in UV LED module of the tested model (PBM13M3UA0) demonstrated 99.99% disinfection performance on virus (Phi X 174) at measuring points of the Pre-Filter under the proposed test conditions.

** Tested by TUV Rheinland Standard

ePM₁ 65% Filter

ePM₁ 65% Filtering capability rating in accordance with ISO 16890

Certified Test Report

Filter Class	ePM ₁	ePM _{2.5}	ePM ₁₀	Coarse	Filter Rating
G1	-	-	-	-	MERV 1-4
G2	-	-	-	30% - 50%	MERV 1-4
G3	-	-	-	45% - 65%	MERV 5
G4	-	-	-	60% - 85%	MERV 6-8
M5	5% - 35%	10% - 45%	40% - 70%	80% - 95%	MERV 8-10
M6	10% - 40%	20% - 50%	45% - 80%	> 90%	MERV 9-13
F7	40% - 65%	50% - 75%	80% - 90%	> 95%	MERV 13-14
F8	65% - 90%	75% - 95%	90% - 100%	> 95%	MERV 14-15
F9	80% - 90%	85% - 95%	90% - 100%	> 95%	MERV 16



Comparison of Filter Classes

EN 779	ISO 16890 (Average Efficiency)				ASHRAE 52.2
Filter Class	ePM ₁	ePM _{2.5}	ePM ₁₀	Coarse	Filter Rating
G1	-	-	-	-	MERV 1-4
G2	-	-	-	30% - 50%	MERV 1-4
G3	-	-	-	45% - 65%	MERV 5
G4	-	-	-	60% - 85%	MERV 6-8
M5	5% - 35%	10% - 45%	40% - 70%	80% - 95%	MERV 8-10
M6	10% - 40%	20% - 50%	45% - 80%	> 90%	MERV 9-13
F7	40% - 65%	50% - 75%	80% - 90%	> 95%	MERV 13-14
F8	65% - 90%	75% - 95%	90% - 100%	> 95%	MERV 14-15
F9	80% - 90%	85% - 95%	90% - 100%	> 95%	MERV 16

** Tested by KCL (Korea Conformity Laboratories)
 ※ ISO 16890 Standard provides lab evaluation procedures which more realistically simulate actual operating conditions, replacing EN 779 Standard's filter classes G1-F9 by a classification system based on particulate groups PM1, PM2.5 and PM10.
 ※ Unlike EN 779 Standard which specifies Filter Classes, ISO 16890 Standard classifies according to Filter Groups, evaluating a filter's performance by its arrestance of particles from 0.3µm to 10µm in size. Filter Group PM1 comprises particulate sizes ≤ 1.0µm, PM2.5 includes particulates sizes ≤ 2.5µm and PM10 covers particulate sizes ≤ 10µm.
 ※ Minimum efficiency is defined as the efficiency achieved following electrostatic discharge of the filter before testing.
 ※ Average efficiency is calculated by averaging the filter's efficiencies in the untreated state (before electrostatic discharge) and in the discharged state.

ENERGY EFFICIENCY A+++ / A+

Products with the highest energy efficiency.
Maximize energy savings to reduce electricity bill burden.

SEER / SCOP class (ErP regulation)

kW	4.1	4.7	5.3	6.2	7.0	7.9	8.8
SEER	8.5	7.8	8.5	8.5	8.0	8.0	8.2
	A+++	A++	A+++	A+++	A++	A++	A++
SCOP	4.3	4.3	4.4	4.4	4.4	4.3	4.3
	A+	A+	A+	A+	A+	A+	A+

World Class High Efficiency
SEER 8.5

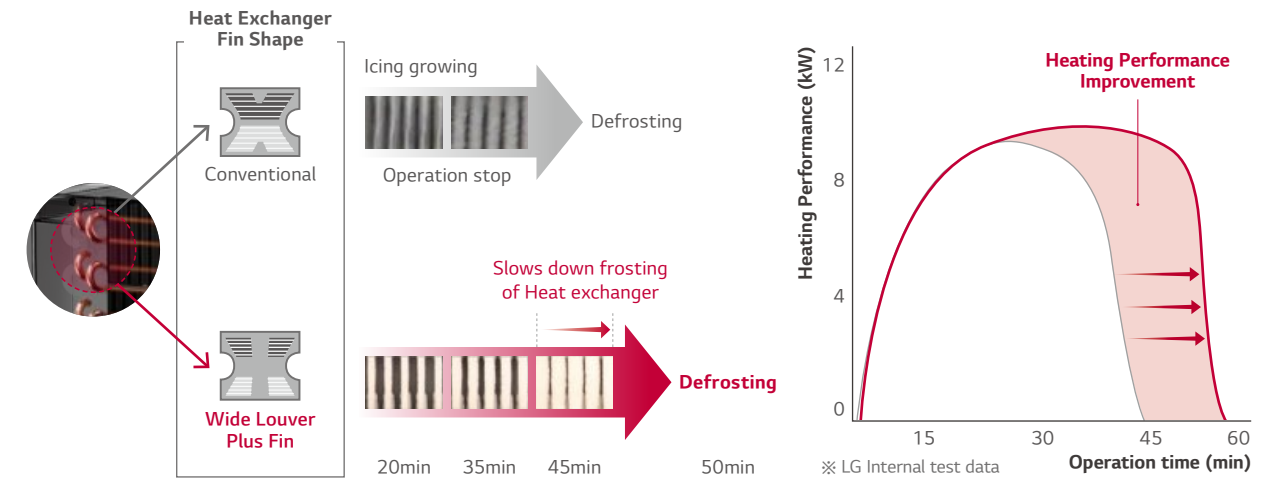
- Peak Current Control
- Enhanced Heat Exchange
- Mode Lock
- R1 Compressor

Enhanced Heat Exchange

Wide Louver Plus Fin technology contributes to 11% increase in full load heating performance and 6% increase in COP compared to a conventional fin. It can slow down the frosting of a heat exchanger and postpone the start of a defrosting operation.

Heating Operation at Defrost Condition

It can slow down frosting of heat exchanger and postpone the start of defrosting operation.



Mode Lock

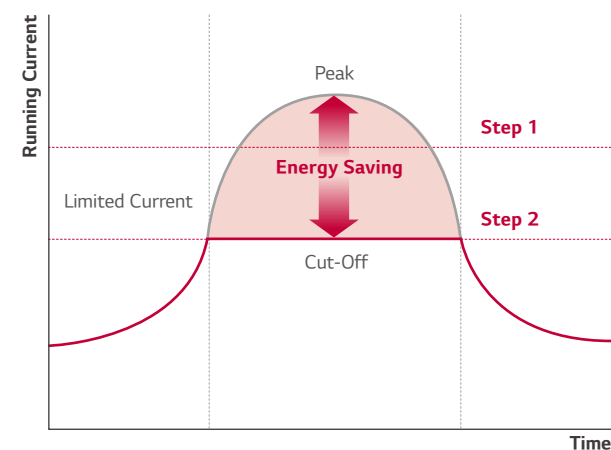
The air conditioning system can be locked to operate in cooling only or heating only mode by a wired remote controller or adjusting dip switch*.



* Dip switch setting has the priority

Peak Current Control

Through the peak current control technology, it is possible to save energy and operation costs. A user can choose either cooling-only or heating-only operation by setting the dip switch.



- By limiting the running current to the maximum, the air conditioner can avoid running on the peak current level.
- This function can reduce energy costs during peak periods when electricity is more expensive.

How to set dip switch

- 1 Max power consumption : 2.5 kW
 - 2 Max power consumption : 1.9 kW **Step 1** 24% SAVE
 - 3 Max power consumption : 1.7 kW **Step 2** 32% SAVE
- 7.0kW model
• LG Internal test result

※ When using Peak current control, the cooling capacity may not be sufficient.

※ Cooling : Indoor Ambient Temp. 27°CDB / 19°CWB, Outdoor Ambient Temp. 35°CDB / 24°CWB

R1 Compressor



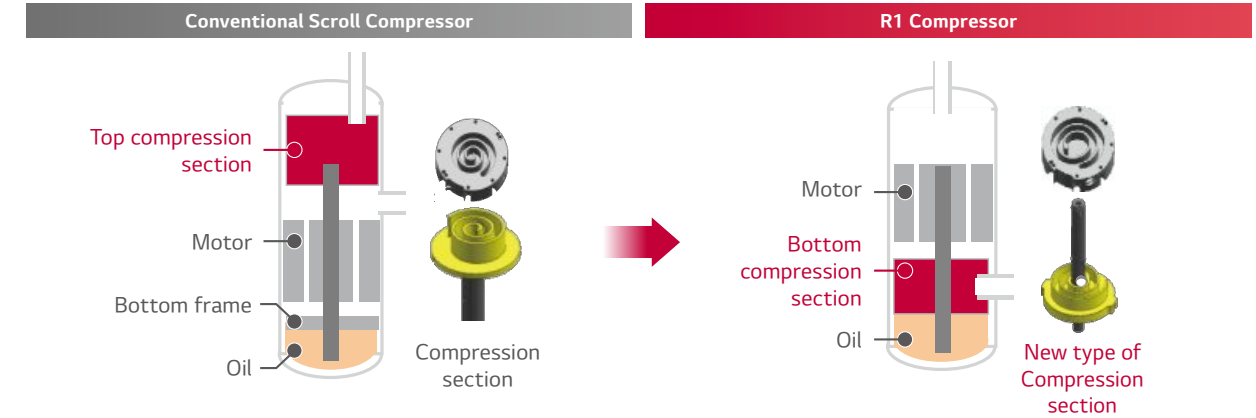
* LG Internal test result, Based on single split 10 kW Cassette
 ** LG Internal test result, Based on conventional compressor (Rotary type GPT442M)
 ※ R1 Compressor application ※ Model : 40-56k (7 models)

Revolutionary Scroll Compressor

Revolutionary Scroll Compressor serves for higher efficiency and reliability. This type of compressor is more advanced compared to the conventional one. The tilting motion of scroll has been improved in particular, as well as the operation range.

- Scroll compressor with simple structure
- High efficiency (Low load at low speed / total efficiency)
- Low noise (High speed possible)
- Improved Tilting Motion of scroll
- 20% weight reduction (vs. Conventional compressor)

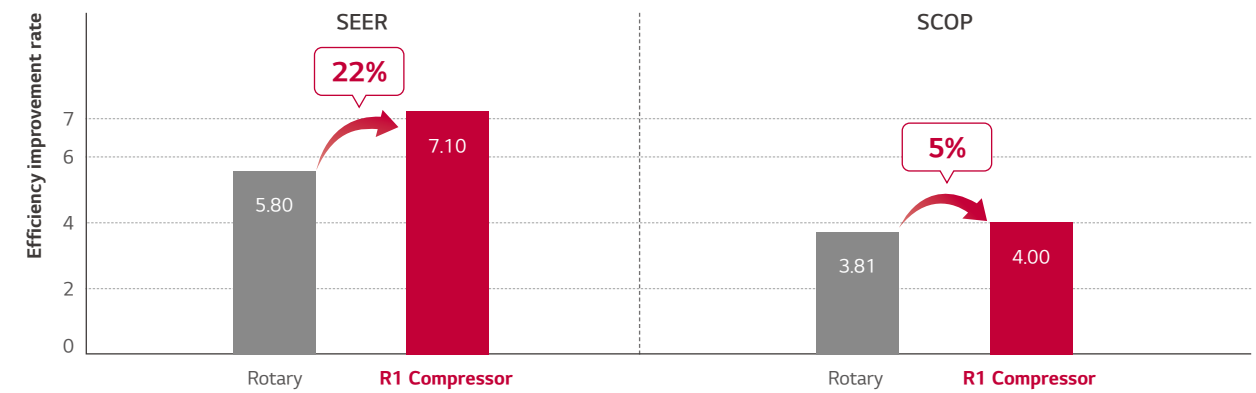
※ Applied Model : 40-56k (7 models)



Seasonal Energy Efficiency

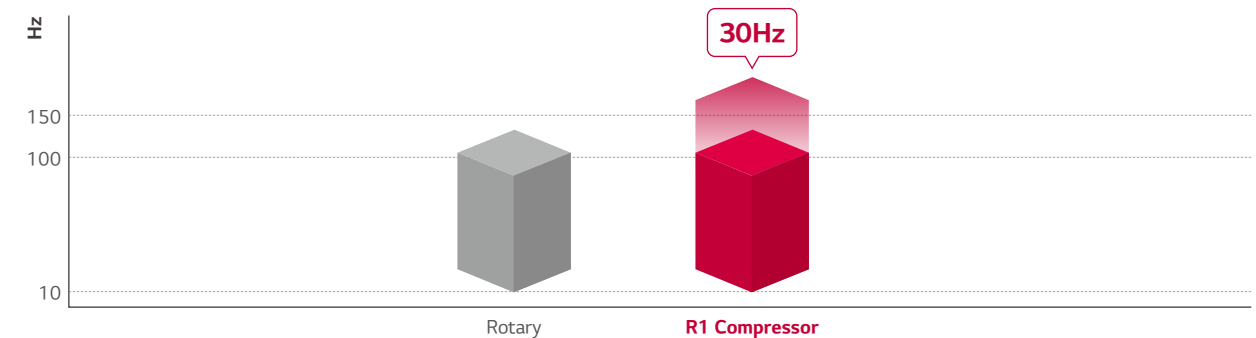
SEER 22%, SCOP 5% improvement (vs. Rotary)

※ Multi 40k



Wide Operation Range

- Optimized for operation with various cooling & heat load
- The world's best compressor speed (Up to 150 Hz)
- Low load operation optimized (down to 10 Hz): efficiency increased, comfort improved.





EXTREME DURABILITY

Product safety and Durability are ensured by advanced BLDC Dual Inverter compressor, Smart sensor and Black Fin Heat Exchanger.

- Improved BLDC Dual Inverter Compressor
- Wide Operation Range
- Corrosion Resistance Black Fin

Improved BLDC Dual Inverter Compressor

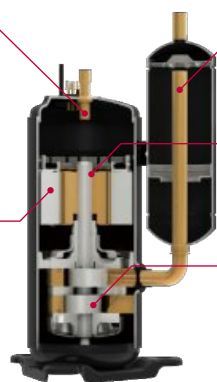
Parts of Dual Inverter Compressor have been improved to assure a longer lifespan of the product.

Flow Optimization

Oil inflow is increased by a longer oil discharge pipe, which keeps enough oil inside the compressor to prevent compressor abrasion.

Concentrated Winding Motor

Oil path area is improved by over 50% by increasing the extra stator cavity. Due to this, caloric value of motor is reduced, improving the cooling function of stator coil.



Dual Inverter Compressor

Suction Optimization

Reduced suction loss and improved oil collection through the optimization of suction path.

Surface Coating

Surface coating of outstanding abrasion resistance property on vane and crank shaft.

Twin Rotary Rotor

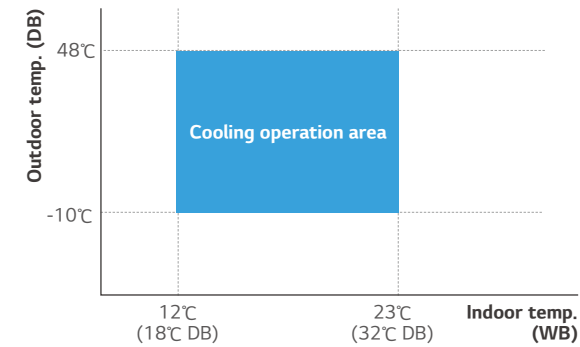
Upper and lower part rotor offset imbalance in shaft rotor rotation. Vibration and noise are reduced. Max torque load decreased by 45% compared to single rotor.



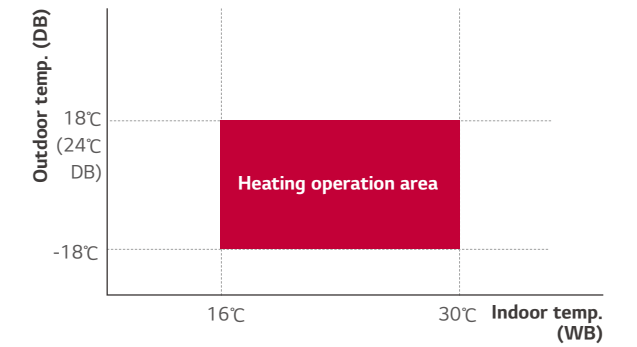
Wide Operation Range

Thanks to the wide operation range, models using R32 refrigerant are suitable for cooling in summer & heating in winter season.

Cooling Mode



Heating Mode



Corrosion Resistance Black Fin

The black coating with enhanced epoxy resin serves to protect the product from various external corrosive conditions such as salt contamination and air pollution including fumes from factories.

Longer Lifespan, Lower Maintenance Costs

Hydrophilic film (Water flow)

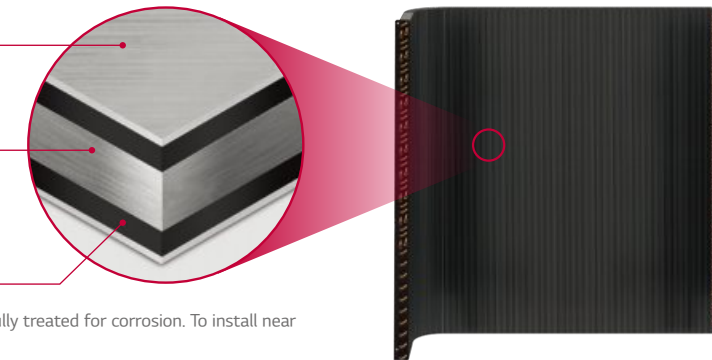
The Hydrophilic coating minimizes moisture buildup on the fin.

Complex resin (Corrosion resistant)

The Black coating provides strong protection from corrosion.

Aluminum Fin

※ In certain cases, the product might not be fully treated for corrosion. To install near the sea, additional protection is required.



Verified Protection



- ※ Verification of corrosion resistance performance
- Test Method B of ISO21207
- ASTM B117 / ISO 9227 (10,000 hours)

COMFORT & CONVENIENCE

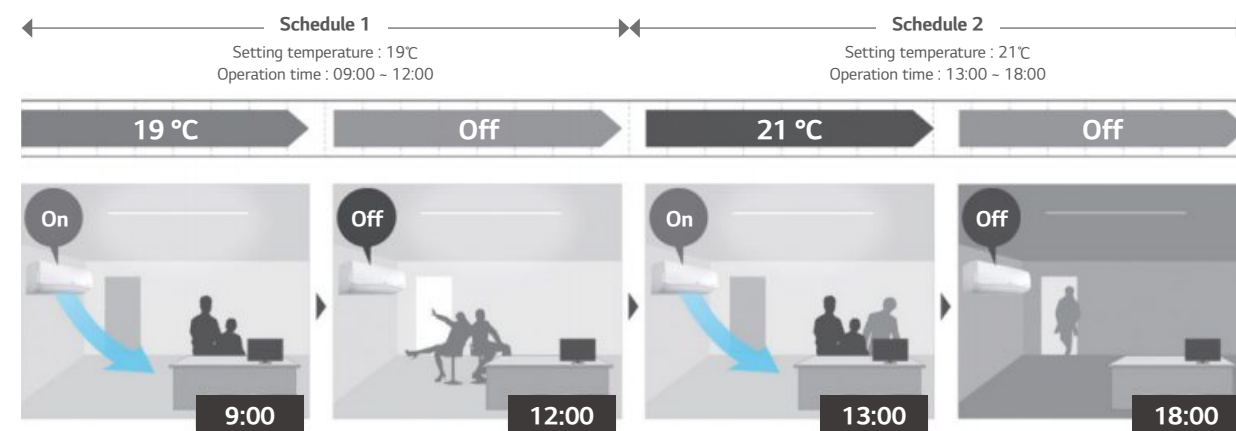
The advanced technologies of LG make a user feel comfort and convenience by several unique functions.






- Scheduled Operation
- Quick Cooling & Heating by Smart Sensor System
- Mobile LGMV
- Pump Down
- Easy Troubleshooting
- Wiring Error Check
- Silent Operation

Scheduled Operation

You can set up to 30 schedules for one day or a week.



※ : These functions need to connect to the wired remote controller.

 Premium - 5 schedules per day - Up to 35 schedules for per week	 Standard III - Up to 30 schedules per one day or week	 Standard II - 2 schedules per day - Up to 14 schedules for per week
---	--	--

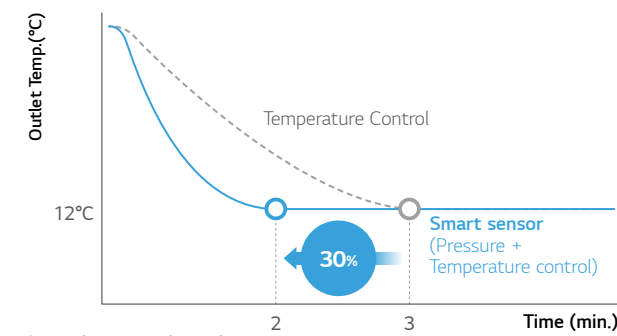
Quick Cooling & Heating by Smart Sensor System

Through the Smart Sensor System (Pressure & temperature control), a user can save time to reach the desired temperature and experience the quick and reliable operation with the LG Multi Split.

Performance of Smart Sensor System

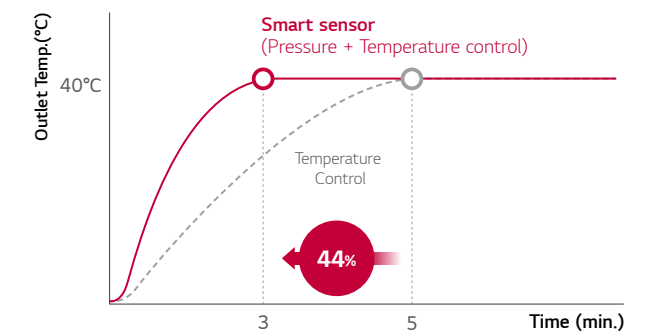
Smart Sensor System takes less time to reach the desired temperature: up to 30% in cooling and 44% in heating with high level of accuracy and stability.

Cooling Mode

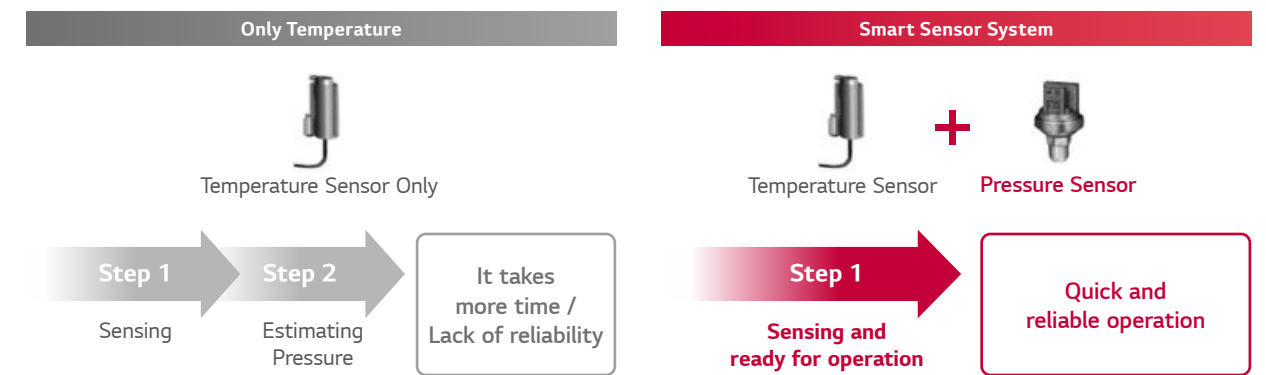


* Based on internal test data

Heating Mode



Why Smart Sensor System ?



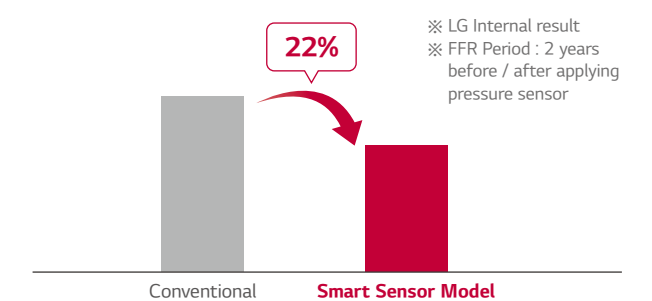
- Quick response due to sensing.
- Ensures to reach target performance point without failing to keep a reliable operation.

The Configuration of Smart Sensors



While every brand has temperature sensors, LG boasts a unique Smart sensor system, with several temperature sensors and a pressure sensor in order to directly measure refrigerant pressure precisely.

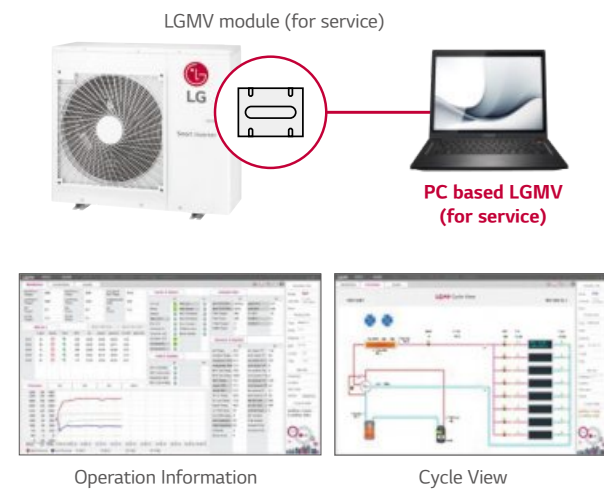
Field Failure Rate of Outdoor Unit



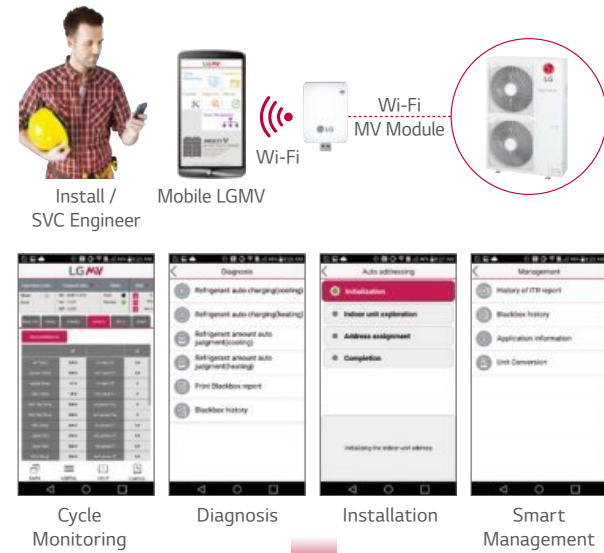
Mobile LGMV (Monitoring View)

LGMV helps engineers to inspect (diagnose) and monitor air conditioning units easily from a Smartphone or PC.

PC Version



Smartphone Version



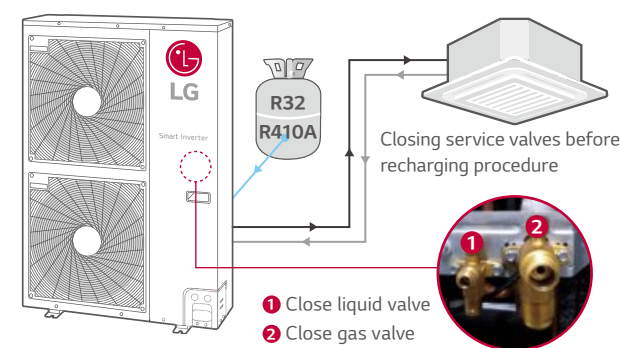
A technician not only can check the cycle information with diagrams & graph, but also check easily the error status (Troubleshooting guide) and take action immediately.

※ Search "Mobile LGMV" on Google or Apple store then download the app.
 ※ Wi-Fi modem (PWFMD200) is required by option.

Pump Down (Forced Cooling Operation)

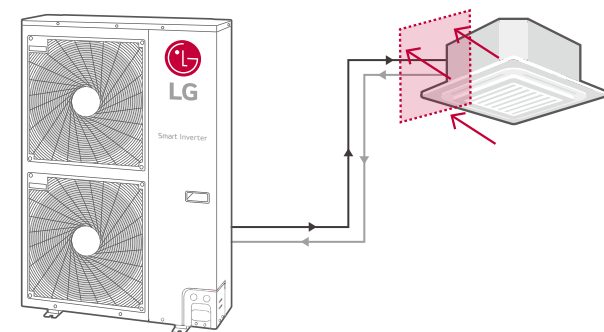
The Pump Down (Forced cooling operation) allows refrigerant to be recharged or pumped down regardless of the indoor and outdoor temperature. This function is very useful when indoor units are being relocated or repaired during winter.

Recharging



Possible to pump down refrigerant forcibly during winter when indoor or outdoor condition may not meet operation range.

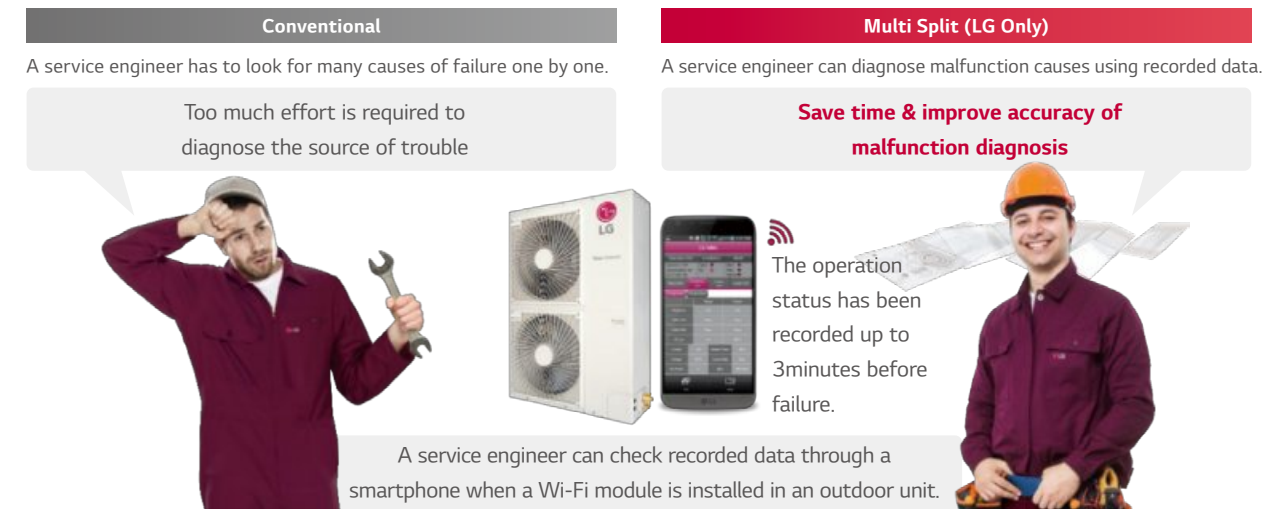
Pump Down



Easy Troubleshooting

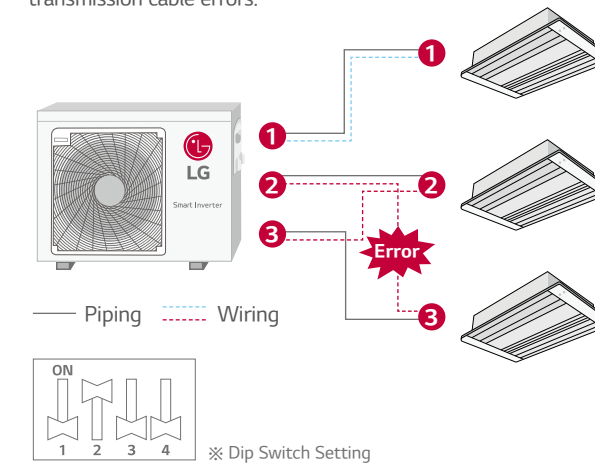
The operation status is recorded until a malfunction occurs.

A service engineer can analyze the malfunction cause more easily during maintenance.



Wiring Error Check

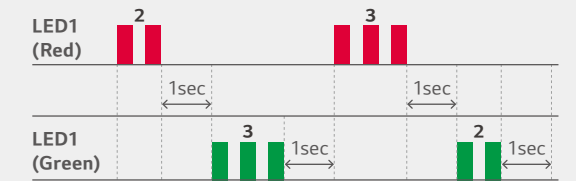
During trouble shooting after installation, installers can check whether the transmission cable has been connected correctly by using the wiring error check function. It can be shown at outdoor PCB. This wiring error check function can reduce the time taken to check for transmission cable errors.



LED Result

- If the wiring is correct, the Green LED will light up.
- If the wiring is wrong, display is as below.
 - Red LED : Piping Number
 - Green LED : Wiring Number (Room)

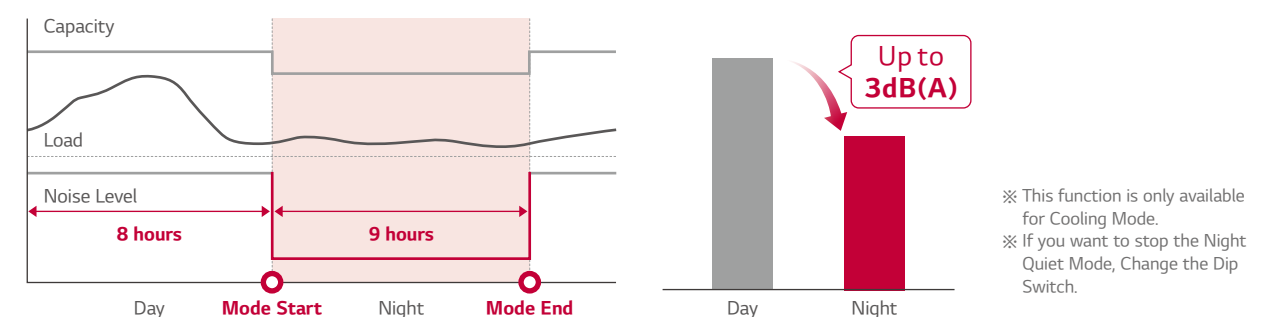
Ex) If the Red LED blinks twice and the Green LED blinks 3 times, 2nd wire is connected to the 3rd indoor unit.



Silent Operation

Silent Operation can reduce noise levels by simply setting the dip switch on the PCB of the outdoor unit.

Cooling Mode



R32 MULTI SPLIT



LG participates in the ECP programme for EUROVENT AC program. Check ongoing validity of certification : www.eurovent-certification.com

OUTDOOR UNITS				MU2R15 U12	MU2R17 U12
Compressor	Type			Twin Rotary	Twin Rotary
Capacity*	Cooling	Min. / Nom. / Max.	kW	0.9 / 4.1 / 4.7	0.9 / 4.7 / 5.4
	Heating	Min. / Nom. / Max.	kW	1.0 / 4.7 / 5.4	1.0 / 5.3 / 5.7
Low Temperature Capacity	Heating -7°C	Max.	kW	3.3	3.7
Power Input*	Cooling	Min. / Nom. / Max.	kW	0.2 / 1.0 / 1.4	0.2 / 1.3 / 1.7
	Heating	Min. / Nom. / Max.	kW	0.2 / 1.1 / 1.4	0.2 / 1.3 / 1.6
Running Current	Cooling	Min. / Nom. / Max.	A	1.1 / 4.6 / 6.4	1.1 / 5.6 / 7.9
	Heating	Min. / Nom. / Max.	A	1.1 / 4.9 / 6.6	1.1 / 5.5 / 7.6
EER				4.14	3.75
COP				4.38	4.22
SEER				8.50	7.80
SCOP				4.30	4.30
Pdesign (@-10°C)			kW	4.10	4.10
Seasonal Energy Label	Cooling / Heating (A+++ to D Scale)			A+++ / A+	A++ / A+
Annual Energy Consumption	Cooling / Heating			169 / 1,335	210 / 1,335
Airflow Rate	Nom.		m ³ /min	43.3	43.3
Sound Pressure	Cooling	Nom.	dB(A)	47	48
	Heating	Nom.	dB(A)	51	51
Sound Power	Cooling	Max.	dB(A)	60	62
Dimensions	W x H x D		mm	770 x 545 x 288	770 x 545 x 288
Net Weight			Kg	36.5	36.5
Refrigerant	Type			R32	R32
	Charge		Kg	1.1	1.1
	Additional Charge		g/m	20	20
	GWP			675	675
Operation Range (Outdoor)	t-CO ₂ eq			0.743	0.743
	Cooling	Min. / Max.	°C DB	-10 / 48	-10 / 48
	Heating	Min. / Max.	°C WB	-18 / 18	-18 / 18
Power Supply			Ø / V / Hz	1 / 220-240 / 50	1 / 220-240 / 50
Power Supply Cable			No. x mm ²	3C x 2.5	3C x 2.5
Transmission Cable			No. x mm ²	4C x 0.75	4C x 0.75
Circuit Breaker			A	15	15
Piping Length Total			m	30	30
Piping Length per Branch		Max.	m	20	20
Piping Elevation Difference	IDU - ODU	Max.	m	15	15
	IDU - IDU	Max.	m	7.5	7.5
Piping Connection	Liquid		mm (inch) x No.	Ø6.35 (1/4) x 2	Ø6.35 (1/4) x 2
	Gas		mm (inch) x No.	Ø9.52 (3/8) x 2	Ø9.52 (3/8) x 2

Notes :

1. Capacities are based on the following conditions:

Cooling : - Indoor Temperature 27°C (80.6°F) DB / 19°C (66.2°F) WB - Outdoor Temperature 35°C (95°F) DB / 24°C (75.2°F) WB

Heating : - Indoor Temperature 20°C (68°F) DB / 15°C (59°F) WB - Outdoor Temperature 7°C (44.6°F) DB / 6°C (42.8°F) WB

Piping Length - Interconnecting Piping Length 7.5m - Level Difference of Zero.

2. * : See page "Combination Table".

3. Due to our policy of innovation some specifications may be changed without notification.

4. At least two indoor units should be connected

5. Minimum combination ratio should be more than 40%.

6. This product contains fluorinated greenhouse gases (R32)





LG participates in the ECP programme for EUROVENT AC program. Check ongoing validity of certification : www.eurovent-certification.com

OUTDOOR UNITS				MU3R19 U22	MU3R21 U22	MU4R25 U22
Compressor	Type			Twin Rotary	Twin Rotary	Twin Rotary
Capacity*	Cooling	Min. / Nom. / Max.	kW	1.1 / 5.3 / 6.3	1.1 / 6.2 / 7.3	1.1 / 7.0 / 8.5
	Heating	Min. / Nom. / Max.	kW	1.2 / 6.3 / 7.3	1.2 / 7.0 / 7.8	1.2 / 8.1 / 9.1
Low Temperature Capacity	Heating -7°C	Max.	kW	5.2	5.5	5.9
Power Input*	Cooling	Min. / Nom. / Max.	kW	0.3 / 1.1 / 2.0	0.3 / 1.4 / 2.5	0.3 / 1.8 / 2.8
	Heating	Min. / Nom. / Max.	kW	0.3 / 1.3 / 2.0	0.3 / 1.5 / 2.4	0.3 / 1.8 / 2.9
Running Current	Cooling	Min. / Nom. / Max.	A	1.3 / 5.0 / 9.2	1.3 / 6.5 / 11.1	1.3 / 8.0 / 12.6
	Heating	Min. / Nom. / Max.	A	1.3 / 5.7 / 9.2	1.3 / 6.9 / 10.8	1.3 / 8.3 / 12.9
EER				4.75	4.28	4.00
COP				5.00	4.60	4.40
SEER				8.50	8.50	8.00
SCOP				4.40	4.40	4.40
Pdesign (@-10°C)			kW	5.20	5.20	5.40
Seasonal Energy Label	Cooling / Heating (A+++ to D Scale)			A+++ / A+	A+++ / A+	A++ / A+
Annual Energy Consumption	Cooling / Heating			217 / 1,655	253 / 1,655	308 / 1,718
Airflow Rate	Nom.		m³/min	50	50	50
Sound Pressure	Cooling	Nom.	dB(A)	47	48	49
	Heating	Nom.	dB(A)	52	53	53
Sound Power	Cooling	Max.	dB(A)	62	63	64
Dimensions	W x H x D		mm	870 x 650 x 330	870 x 650 x 330	870 x 650 x 330
Net Weight			Kg	46.7	46.7	47.0
Refrigerant	Type			R32	R32	R32
	Charge		Kg	1.4	1.4	1.4
	Additional Charge		g/m	20	20	20
	GWP			675	675	675
	t-CO ₂ eq			0.945	0.945	0.945
Operation Range (Outdoor)	Cooling	Min. / Max.	°C DB	-10 / 48	-10 / 48	-10 / 48
	Heating	Min. / Max.	°C WB	-18 / 18	-18 / 18	-18 / 18
Power Supply			Ø / V / Hz	1 / 220-240 / 50	1 / 220-240 / 50	1 / 220-240 / 50
Power Supply Cable			No. x mm²	3C x 2.5	3C x 2.5	3C x 2.5
Transmission Cable			No. x mm²	4C x 0.75	4C x 0.75	4C x 0.75
Circuit Breaker			A	20	20	20
Piping Length Total			m	50	50	70
Piping Length per Branch		Max.	m	25	25	25
Piping Elevation Difference	IDU - ODU	Max.	m	15	15	15
	IDU - IDU	Max.	m	7.5	7.5	7.5
Piping Connection	Liquid		mm (inch) x No.	Ø6.35 (1/4) x 3	Ø6.35 (1/4) x 3	Ø6.35 (1/4) x 4
	Gas		mm (inch) x No.	Ø9.52 (3/8) x 3	Ø9.52 (3/8) x 3	Ø9.52 (3/8) x 4

Notes :

- Capacities are based on the following conditions:
Cooling : - Indoor Temperature 27°C (80.6°F) DB / 19°C (66.2°F) WB - Outdoor Temperature 35°C (95°F) DB / 24°C (75.2°F) WB
Heating : - Indoor Temperature 20°C (68°F) DB / 15°C (59°F) WB - Outdoor Temperature 7°C (44.6°F) DB / 6°C (42.8°F) WB
Piping Length - Interconnecting Piping Length 7.5m - Level Difference of Zero.
- *: See page "Combination Table".
- Due to our policy of innovation some specifications may be changed without notification.
- At least two indoor units should be connected
- Minimum combination ratio should be more than 40%.
- This product contains fluorinated greenhouse gases (R32)



LG participates in the ECP programme for EUROVENT AC program. Check ongoing validity of certification : www.eurovent-certification.com

OUTDOOR UNITS				MU4R27 U42	MU5R30 U42	MU5R40 U42
Compressor	Type			Twin Rotary	Twin Rotary	Scroll
Capacity*	Cooling	Min. / Nom. / Max.	kW	1.3 / 7.9 / 9.5	1.3 / 8.8 / 10.6	1.3 / 11.2 / 14.7
	Heating	Min. / Nom. / Max.	kW	1.5 / 9.1 / 10.6	1.5 / 10.1 / 12.1	1.5 / 12.5 / 16.0
Low Temperature Capacity	Heating -7°C	Max.	kW	6.4	7.1	11.0
Power Input*	Cooling	Min. / Nom. / Max.	kW	0.4 / 1.8 / 2.9	0.4 / 2.0 / 3.4	0.4 / 3.3 / 5.3
	Heating	Min. / Nom. / Max.	kW	0.6 / 2.1 / 3.4	0.6 / 2.2 / 3.6	0.4 / 3.1 / 5.3
Running Current	Cooling	Min. / Nom. / Max.	A	1.9 / 8.1 / 13.1	1.9 / 9.1 / 15.2	1.8 / 14.4 / 23.9
	Heating	Min. / Nom. / Max.	A	2.8 / 9.4 / 15.3	2.8 / 9.7 / 16.3	1.8 / 16.5 / 24.2
EER				4.39	4.40	3.50
COP				4.39	4.70	4.10
SEER				8.00	8.20	7.50
SCOP				4.30	4.30	4.40
Pdesign (@-10°C)			kW	7.00	7.40	9.10
Seasonal Energy Label	Cooling / Heating (A+++ to D Scale)			A++ / A+	A++ / A+	A++ / A+
Annual Energy Consumption	Cooling / Heating			346 / 2,214	376 / 2,344	523 / 2,896
Airflow Rate	Nom.		m³/min	60	60	80
Sound Pressure	Cooling	Nom.	dB(A)	48	49	52
	Heating	Nom.	dB(A)	52	53	54
Sound Power	Cooling	Max.	dB(A)	64	64	64
Dimensions	W x H x D		mm	950 x 834 x 330	950 x 834 x 330	950 x 834 x 330
Net Weight			Kg	63.5	64.1	74.0
Refrigerant	Type			R32	R32	R32
	Charge		Kg	2.3	2.6	2.8
	Additional Charge		g/m	20	20	20
	GWP			675	675	675
	t-CO ₂ eq			1.553	1.755	1.890
Operation Range (Outdoor)	Cooling	Min. / Max.	°C DB	-10 / 48	-10 / 48	-10 / 48
	Heating	Min. / Max.	°C WB	-18 / 18	-18 / 18	-18 / 18
Power Supply			Ø / V / Hz	1 / 220-240 / 50	1 / 220-240 / 50	1 / 220-240 / 50
Power Supply Cable			No. x mm²	3C x 2.5	3C x 2.5	3C x 2.5
Transmission Cable			No. x mm²	4C x 0.75	4C x 0.75	4C x 0.75
Circuit Breaker			A	25	25	40
Piping Length Total			m	70	75	85
Piping Length per Branch		Max.	m	25	25	25
Piping Elevation Difference	IDU - ODU	Max.	m	15	15	15
	IDU - IDU	Max.	m	7.5	7.5	7.5
Piping Connection	Liquid		mm (inch) x No.	Ø6.35 (1/4) x 4	Ø6.35 (1/4) x 5	Ø6.35 (1/4) x 5
	Gas		mm (inch) x No.	Ø9.52 (3/8) x 4	Ø9.52 (3/8) x 5	Ø9.52 (3/8) x 5

Notes :

- Capacities are based on the following conditions:
Cooling : - Indoor Temperature 27°C (80.6°F) DB / 19°C (66.2°F) WB - Outdoor Temperature 35°C (95°F) DB / 24°C (75.2°F) WB
Heating : - Indoor Temperature 20°C (68°F) DB / 15°C (59°F) WB - Outdoor Temperature 7°C (44.6°F) DB / 6°C (42.8°F) WB
Piping Length - Interconnecting Piping Length 7.5m - Level Difference of Zero.
- *: See page "Combination Table".
- Due to our policy of innovation some specifications may be changed without notification.
- At least two indoor units should be connected
- Minimum combination ratio should be more than 40%.
- This product contains fluorinated greenhouse gases (R32)

Enjoy A New Level Of Fresh Air

AirCare Complete System™ with Wall Mounted Type

LG DUALCOOL, LG ARTCOOL brings the freshness of nature indoors. The AirCare Complete System™ uses a filtration process with UVnano™ and Ionizer technology that removes fine dust and bacteria, allowing customers to breathe healthy, purified air.

ART COOL™

MIRROR

Auto Cleaning
Automatically dries out any moisture collected in the unit to prevent the formation of harmful particles.

Pre-Filter™
Traps big dust particles from the start.

Allergy Filter
Removes allergy-causing substances, such as house dust mites, floating in the air.

UVnano™
Keeps your fan 99.99% bacteria-clean with UV LED light to ensure fresh and clean air is delivered.

Plasmaster™ Ionizer⁺⁺
Keeps the air cool and healthy by deodorizing the air as well as removing 99.9% of adhering bacteria.
※ The Ionizer shape and color may be changed without notice.

Anytime, Anywhere!

DUALCOOL™ powered by ThinQ with Voice Control



※ Smart features and voice assistant product may vary by country and model. Check with your local retailer or LG for service availability.

Enhance Your Daily Life with ThinQ

Cool home when you arrive
"It would be wonderful if my place was already cool when I arrive."

Monitor monthly electricity bills
"How much have I been using the AC lately?"

Switch off AC after you've left
"Oh no! Did I remember to turn off the AC?"

No need to search for the remote control your AC with your phone
"Where's the remote control? I'm too lazy to go search for it."

Voice Control for a Better Life

- Very intuitive**
Intuitive control for convenient, anytime, anywhere access.
- Accessible to everyone**
Increased comfort that is accessible and simple for anyone.
- Time saving**
Time saving without the burden of searching for the remote control.

UVnano™

LG DUALCOOL, keeping the fan (inside the unit) 99.99% bacteria-free with ultraviolet light to ensure that the air passing through is clean too.

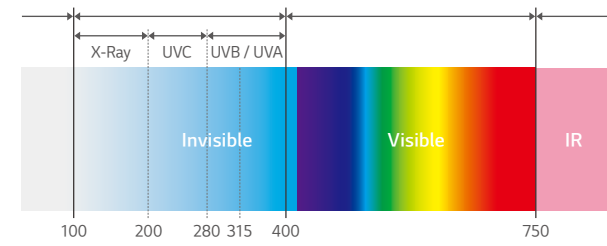
※ UVnano is an integrated marketing name that applies LG Electronics' entire home appliances and it is a compound of the words UV(ultraviolet) and nanometer (unit of length).

What Is UVnano™ and How It Works?

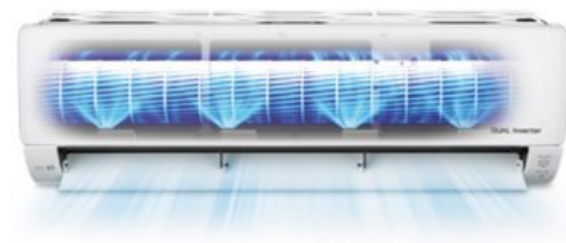
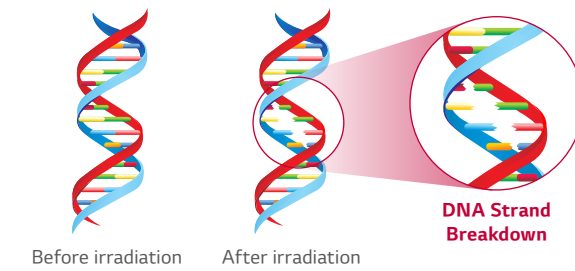
- Emit Ultraviolet rays of UVC wavelength directly damage the DNA of microorganisms (bacteria/mold/viruses) making it impossible for them to multiply.
- High absorption into DNA at 260 to 270 nm wavelengths

DNA Absorption Efficiency by Wavelength

Electromagnetic Spectrum and Types



Destruction Nuclear Sequence (Chain)

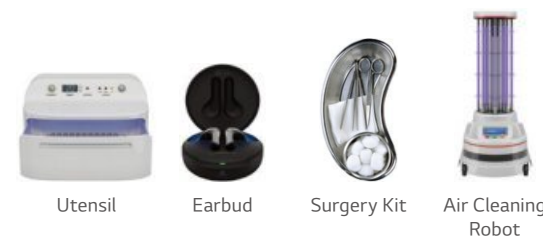


UVC Applied Product

LG Product



Various Product Lines



Benefit & Verification

Keep the fan 99.99% bacteria-clean for a cleaner breeze.



Removes up to **99.99%** of bacteria from the internal fan.



※ Test Condition
 - Test Model : S3NM12JL1GA(SJ), S3NM24K21GA(SK)
 - Test Standard : LG test method with referenced to ISO 20743:2007
 - Bacteria : Staphylococcus aureus, Staphylococcus epidermidis, Klebsiella pneumoniae

Auto Cleaning

The interior of the air conditioner is maintained clean by drying off the heat exchanger, then cleaning the interior once more.

※ Specifications may vary for each model.

Pain Point

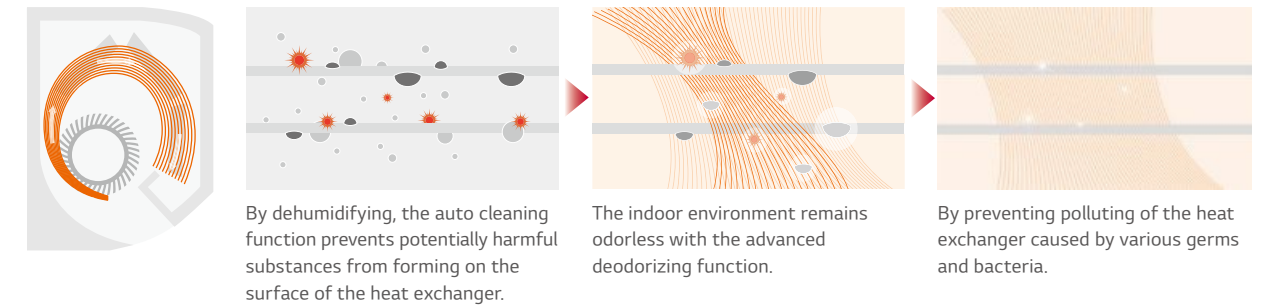
The main cause of odor within air conditioners is mold and bacteria growing on the heat exchanger. These germs can spread when the heat exchanger is wet.



How It Works

Cleans Filter with Regular Air Flow

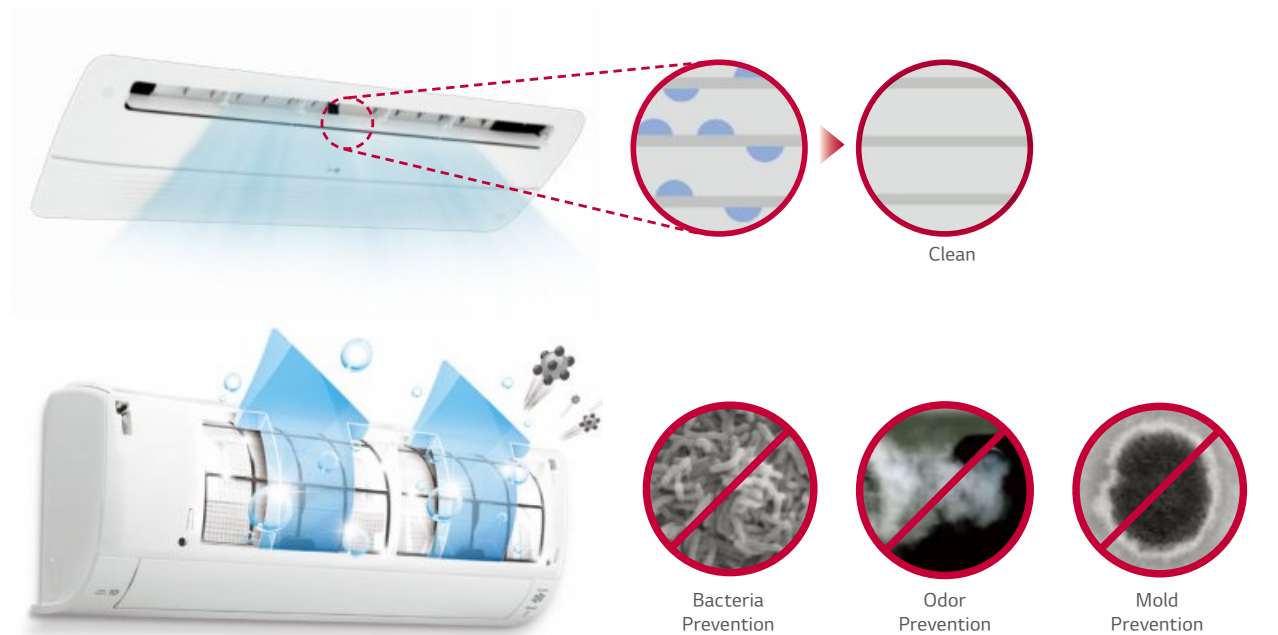
The comprehensive auto cleaning function prevents the formation of bacteria and mold on the heat exchanger, providing an enhanced environment.



Benefit

Removes Harmful Particles

Auto Cleaning provides clean air by preventing bacteria, mold and odors that can otherwise accumulate in an indoor unit.



Plasmaster™ Ionizer⁺⁺

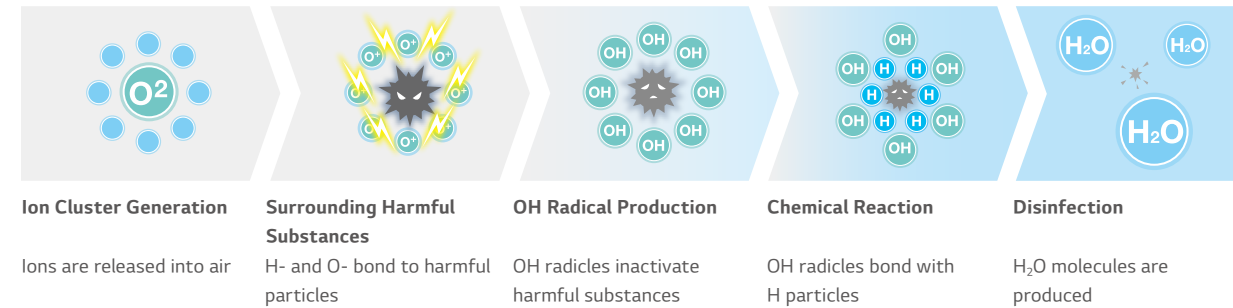
The powerful Plasmaster™ Ionizer⁺⁺ efficiently eliminates bad odors, as well as Escherichia coli and Staphylococcus on the surface with over 8 million ions for a safer, cleaner indoor environment.

※ Specifications may vary for each model.
 ※ Depending on the experimental conditions.

How It Works

Reduction and Deodorization (Utilizes Over 8 Million Ions)

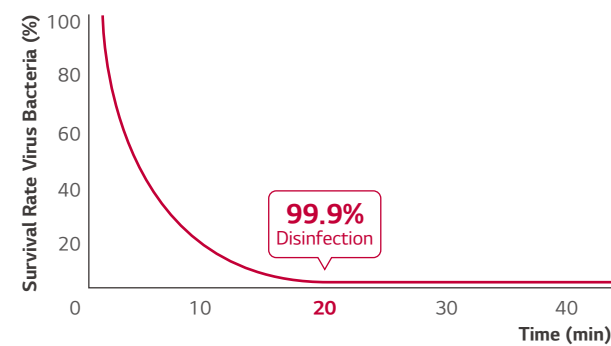
Plasmaster Ionizer⁺ reduces E.coli and Staphylococcus in the surface with over 8 million ions.



Test Result

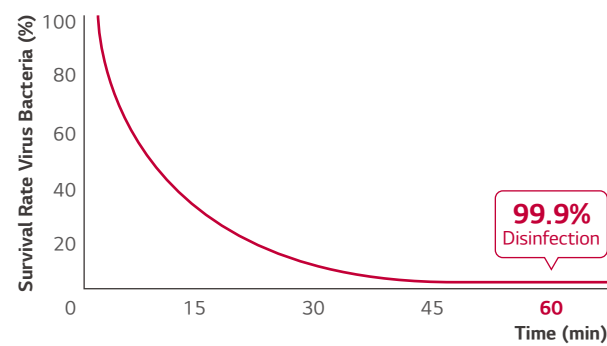
Reduction Performance Evaluations

Over 99.9% E.coli bacteria reduction in 20 min.



※ Test Conditions :
 Space : 30m³ Chamber (measuring with the specimen in the center of test chamber)
 Temperature & Humidity : Normal
 Bacteria : E coil colon bacillus
 Verified by Intertek & TÜV Rheinland

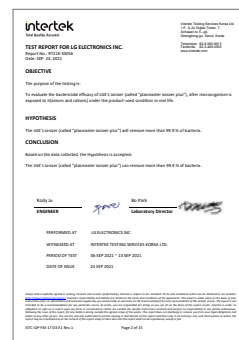
Over 99.9% staphylococcus sterilization in 60 min.



※ Test Conditions :
 Space : 30m³ Chamber (Measuring with the specimen in the center of test chamber)
 Temperature & Humidity : Normal
 Bacteria : Staphylococcus Aureus
 Verified by Intertek & TÜV Rheinland

Benefit & Verification

Based on the data collected the Hypothesis is accepted: The LGE's ionizer (called "plasmaster ionizer plus") can remove more than 99.9 % of bacteria (Escherichia coli, Pseudomonas aeruginosa, Staphylococcus aureus)

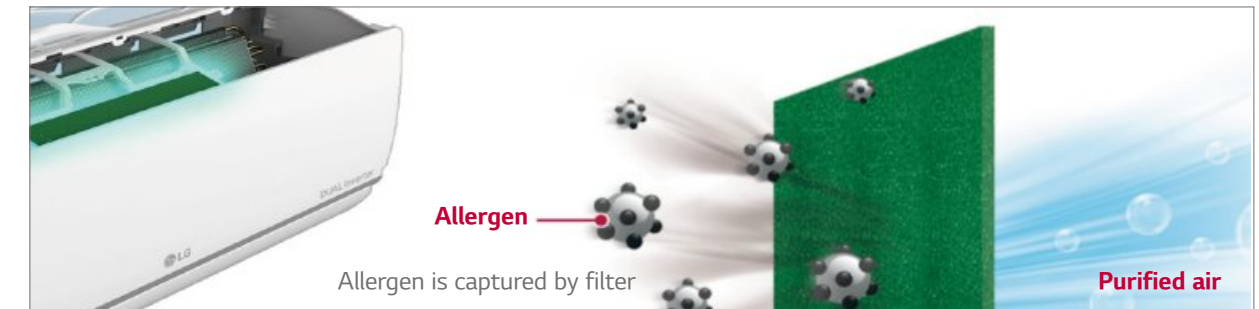


Allergy Filter

Airflow from an air conditioner can cause or contribute to symptoms associated with allergies or asthma. However, LG units boast an interior filter that can absorb these harmful substances, such as dust mites, pollen, fungi, and mold, that float throughout the air.

How It Works

Removes allergy-causing substances, such as dust mites that can be found in the air.



Certification



Specially coated filter reduces

* Test Condition Disclaimer
 A filter is coated to absorb harmful substances that can cause allergies. The air conditioner strongly absorbs indoor air and removes allergy-causing substances, such as house dust mite, fungi, mold, floating in the air.

Allergy UK (a world-renowned organization) is a British medical charity dedicated to helping adults and children with their allergies. The charity was founded in 1991 as the **British Allergy Foundation**, and in 2002 the operational name of the charity became Allergy UK. Allergy UK endorses certain products that restrict or remove high levels of allergens and gives them a Seal of Approval.

Comfort Air (Indirect Air)

LG provides pure hygienic and temperature regulated atmosphere surrounding your living space. An automatic vane angle adjustment sets perfect vane angle and air volume.

※ Specifications may vary for each model.

Concept

Comfort Air changes the air flow angle to ensure that air is directed away from occupants to promote more comfortable environments optimized for sleeping and more.

How It Works

Control Panel



Comfort Vane

This option conveniently sets an AC's louvers to a preset position so that outflowing air is directed away from a room's occupants.



Scene 1: Inclines to a maximum 80° angle.
 Sets vane angle to highest position :
 Optimized for gentle airflow cooling.

Indoor Unit Display

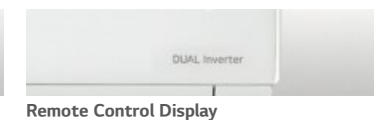


Remote Controller Display

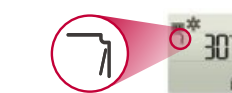


Scene 2: Declines to a maximum 10° angle.
 Sets vane angle to lowest position :
 Optimized for gentle airflow heating.

Indoor Unit Display



Remote Control Display





LG participates in the ECP programme for EUROVENT AC program. Check ongoing validity of certification : www.eurovent-certification.com

kBtu/H	5	7	9	12	15	18	24
kW	1.5	2.1	2.6	3.5	4.2	5.3	7.0
ARTCOOL Gallery	-	-	● MA09R NF1	● MA12R NF1	-	-	-

Single Combination

INDOOR				MA09R NF1	MA12R NF1
Capacity	Cooling	Rated	W	2,600	3,500
	Heating	Rated	W	2,900	3,900
Sound Pressure	Cooling	S / L / M / H	dB(A)	27 / 27 / 32 / 38	27 / 32 / 38 / 44
	Heating	L / M / H	dB(A)	27 / 32 / 38	32 / 38 / 44
Sound Power	Cooling	Power	dB(A)	52	54
		S / L / M / H	m ³ /min	4.4 / 4.4 / 5.9 / 7.7	4.4 / 5.6 / 7.3 / 8.9
Air Flow Rate	Cooling	Max. (Power)	m ³ /min	8.6	9.6
	Heating	L / M / H	m ³ /min	4.7 / 6.1 / 8.0	5.7 / 7.5 / 9.2
Dehumidification Rate			l/h	1.2	1.4
Power Supply			Ø / V / Hz	1 / 220-240 / 50	1 / 220-240 / 50
Power Supply Cable			N x mm ²	4C x 0.75	4C x 0.75
Dimension			mm	600 x 600 x 145	600 x 600 x 145
Net Weight			kg	15.0	15.0
ACCESSORIES & OTHERS				MA09R NF1	MA12R NF1
Wall Type Single Split Compatible				-	-
Commercial Single Split Compatible				-	-
Dry Contact				Y	Y
Wired Remote Controller				Y	Y
ThinQ (Wi-Fi)				Y	Y

※ This product contains Fluorinated greenhouse gases (R32).

※ S : Sleep / L : Low / M : Medium / H : High

※ GWP : Global warming potential

※ t-CO₂eq : F-gas(kg)*GWP/1000

※ For our policy of continuous product improvement, specification, design and feature are subject to change without prior notice.

※ Y : Available or Applied / - : Not Available or Not Applied



LG participates in the ECP programme for EUROVENT AC program. Check ongoing validity of certification : www.eurovent-certification.com

kBtu/H	5	7	9	12	15	18	24
kW	1.5	2.1	2.6	3.5	4.2	5.3	7.0
ARTCOOL Mirror	-	● AM07BK NSJ	● AC09BK NSJ	● AC12BK NSJ	-	● AC18BK NSK	● AC24BK NSK

Single Combination

INDOOR				AM07BK NSJ	AC09BK NSJ	AC12BK NSJ
Capacity	Cooling	Rated	W	2,100	2,500	3,500
	Heating	Rated	W	2,300	3,200	3,800
Sound Pressure	Cooling	S / L / M / H	dB(A)	19 / 26 / 32 / 36	19 / 26 / 33 / 38	19 / 26 / 35 / 39
	Heating	L / M / H	dB(A)	26 / 32 / 36	26 / 33 / 38	26 / 35 / 39
Sound Power	Cooling	Power	dB(A)	57	57	57
		S / L / M / H	m ³ /min	3.0 / 5.0 / 7.2 / 8.6	3.0 / 5.0 / 7.6 / 9.1	3.0 / 5.0 / 8.1 / 9.6
Air Flow Rate	Cooling	Max. (Power)	m ³ /min	11.1	11.1	11.1
	Heating	L / M / H	m ³ /min	5.0 / 7.2 / 8.6	5.0 / 7.6 / 9.1	5.0 / 8.1 / 9.6
Dehumidification Rate			l/h	0.9	1.1	1.2
Power Supply			Ø / V / Hz	1 / 220-240 / 50	1 / 220-240 / 50	1 / 220-240 / 50
Power Supply Cable			N x mm ²	4C x 0.75	4C x 0.75	4C x 0.75
Dimension			mm	837 x 308 x 192	837 x 308 x 192	837 x 308 x 192
Net Weight			kg	9.9	9.9	9.9
ACCESSORIES & OTHERS				AM07BK NSJ	AC09BK NSJ	AC12BK NSJ
Wall Type Single Split Compatible				-	Y	Y
Commercial Single Split Compatible				-	-	-
Dry Contact				Y	Y	Y
Wired Remote Controller				Y	Y	Y
ThinQ (Embedded Wi-Fi)				Y	Y	Y

INDOOR				AC18BK NSK	AC24BK NSK
Capacity	Cooling	Rated	W	5,000	6,600
	Heating	Rated	W	5,800	7,500
Sound Pressure	Cooling	S / L / M / H	dB(A)	31 / 34 / 42 / 47	31 / 34 / 42 / 47
	Heating	L / M / H	dB(A)	34 / 42 / 47	34 / 42 / 47
Sound Power	Cooling	Power	dB(A)	59	65
		S / L / M / H	m ³ /min	8.0 / 10.5 / 13.1 / 15.5	8.0 / 10.5 / 13.1 / 16.1
Air Flow Rate	Cooling	Max. (Power)	m ³ /min	16.8	18.3
	Heating	L / M / H	m ³ /min	10.5 / 13.1 / 15.5	10.5 / 13.1 / 16.1
Dehumidification Rate			l/h	1.9	2.6
Power Supply			Ø / V / Hz	1 / 220-240 / 50	1 / 220-240 / 50
Power Supply Cable			N x mm ²	4C x 0.75	4C x 0.75
Dimension			mm	998 x 345 x 212	998 x 345 x 212
Net Weight			kg	12.8	13.5
ACCESSORIES & OTHERS				AC18BK NSK	AC24BK NSK
Wall Type Single Split Compatible				Y	Y
Commercial Single Split Compatible				-	-
Dry Contact				Y	Y
Wired Remote Controller				Y	Y
ThinQ (Embedded Wi-Fi)				Y	Y

※ This product contains Fluorinated greenhouse gases (R32).

※ S : Sleep / L : Low / M : Medium / H : High

※ GWP : Global warming potential

※ t-CO₂eq : F-gas(kg)*GWP/1000

※ For our policy of continuous product improvement, specification, design and feature are subject to change without prior notice.

※ Y : Available or Applied / - : Not Available or Not Applied



LG participates in the ECP programme for EUROVENT AC program. Check ongoing validity of certification : www.eurovent-certification.com

kBtu/H	5	7	9	12	15	18	24
kW	1.5	2.1	2.6	3.5	4.2	5.3	7.0
ARTCOOL Color	-	-	○● AB09BK NSJ	○● AB12BK NSJ	-	○● AB18BK NSK	○● AB24BK NSK

Single Combination

INDOOR				AB09BK NSJ	AB12BK NSJ
Capacity	Cooling	Rated	W	2,500	3,500
	Heating	Rated	W	3,200	3,800
Sound Pressure	Cooling	S / L / M / H	dB(A)	19 / 26 / 33 / 38	19 / 26 / 35 / 39
	Heating	L / M / H	dB(A)	26 / 33 / 38	26 / 35 / 39
Sound Power	Cooling	Power	dB(A)	57	57
Air Flow Rate	Cooling	S / L / M / H	m ³ /min	3.0 / 5.0 / 7.6 / 9.1	3.0 / 5.0 / 8.1 / 9.6
		Max. (Power)	m ³ /min	11.1	11.1
	Heating	L / M / H	m ³ /min	5.0 / 7.6 / 9.1	5.0 / 8.1 / 9.6
Dehumidification Rate			l/h	1.1	1.2
Power Supply			∅ / V / Hz	1 / 220-240 / 50	1 / 220-240 / 50
Power Supply Cable			N x mm ²	4C x 0.75	4C x 0.75
Dimension			mm	837 x 308 x 192	837 x 308 x 192
Net Weight			kg	9.5	9.5
ACCESSORIES & OTHERS				AB09BK NSJ	AB12BK NSJ
Wall Type Single Split Compatible				Y	Y
Commercial Single Split Compatible				-	-
Dry Contact				Y	Y
Wired Remote Controller				Y	Y
ThinQ (Embedded Wi-Fi)				Y	Y

INDOOR				AB18BK NSK	AB24BK NSK
Capacity	Cooling	Rated	W	5,000	6,600
	Heating	Rated	W	5,800	7,500
Sound Pressure	Cooling	S / L / M / H	dB(A)	31 / 34 / 42 / 47	31 / 34 / 42 / 47
	Heating	L / M / H	dB(A)	34 / 42 / 47	34 / 42 / 47
Sound Power	Cooling	Power	dB(A)	59	65
Air Flow Rate	Cooling	S / L / M / H	m ³ /min	8.0 / 10.5 / 13.1 / 15.5	8.0 / 10.5 / 13.1 / 16.1
		Max. (Power)	m ³ /min	16.8	18.3
	Heating	L / M / H	m ³ /min	10.5 / 13.1 / 15.5	10.5 / 13.1 / 16.1
Dehumidification Rate			l/h	1.9	2.6
Power Supply			∅ / V / Hz	1 / 220-240 / 50	1 / 220-240 / 50
Power Supply Cable			N x mm ²	4C x 0.75	4C x 0.75
Dimension			mm	998 x 345 x 212	998 x 345 x 212
Net Weight			kg	12.8	13.5
ACCESSORIES & OTHERS				AB18BK NSK	AB24BK NSK
Wall Type Single Split Compatible				Y	Y
Commercial Single Split Compatible				-	-
Dry Contact				Y	Y
Wired Remote Controller				Y	Y
ThinQ (Embedded Wi-Fi)				Y	Y

※ This product contains Fluorinated greenhouse gases (R32).
 ※ S : Sleep / L : Low / M : Medium / H : High
 ※ GWP : Global warming potential
 ※ t-CO₂eq : F-gas(kg)*GWP/1000
 ※ For our policy of continuous product improvement, specification, design and feature are subject to change without prior notice.
 ※ Y : Available or Applied / - : Not Available or Not Applied



LG participates in the ECP programme for EUROVENT AC program. Check ongoing validity of certification : www.eurovent-certification.com

kBtu/H	5	7	9	12	15	18	24
kW	1.5	2.1	2.6	3.5	4.2	5.3	7.0
Air Purification	-	-	○● AP09RK NSJ	○● AP12RK NSJ	-	-	-

Single Combination

INDOOR				AP09RK NSJ	AP12RK NSJ
Capacity	Cooling	Rated	W	2,500	3,500
	Heating	Rated	W	3,300	4,000
Sound Pressure	Cooling	S / L / M / H	dB(A)	21 / 27 / 35 / 42	21 / 27 / 35 / 42
	Heating	L / M / H	dB(A)	27 / 35 / 42	27 / 35 / 42
Sound Power	Cooling	Power	dB(A)	59	59
Air Flow Rate	Cooling	S / L / M / H	m ³ /min	3.0 / 4.2 / 6.6 / 10.0	3.0 / 4.2 / 6.6 / 10.0
		Max. (Power)	m ³ /min	11.0	11.0
	Heating	L / M / H	m ³ /min	4.2 / 6.6 / 10.0	4.2 / 6.6 / 10.0
Dehumidification Rate			l/h	0.9	0.9
Power Supply			∅ / V / Hz	1 / 220-240 / 50	1 / 220-240 / 50
Power Supply Cable			N x mm ²	4C x 0.75	4C x 0.75
Dimension			mm	857 x 348 x 189	857 x 348 x 189
Net Weight			kg	9.5	9.5
ACCESSORIES & OTHERS				AP09RK NSJ	AP12RK NSJ
Wall Type Single Split Compatible				Y	Y
Commercial Single Split Compatible				-	-
Dry Contact				Y	Y
Wired Remote Controller				Y	Y
ThinQ (Embedded Wi-Fi)				Y	Y

※ This product contains Fluorinated greenhouse gases (R32).
 ※ S : Sleep / L : Low / M : Medium / H : High
 ※ GWP : Global warming potential
 ※ t-CO₂eq : F-gas(kg)*GWP/1000
 ※ For our policy of continuous product improvement, specification, design and feature are subject to change without prior notice.
 ※ Y : Available or Applied / - : Not Available or Not Applied



LG participates in the ECP programme for EUROVENT AC program. Check ongoing validity of certification : www.eurovent-certification.com

kBtu/H	5	7	9	12	15	18	24
kW	1.5	2.1	2.6	3.5	4.2	5.3	7.0
Deluxe	-	● DM07RK NSJ	○● DC09RK NSJ	○● DC12RK NSJ	-	○● DC18RK NSK	○● DC24RK NSK

Single Combination

INDOOR				DM07RK NSJ	DC09RK NSJ	DC12RK NSJ
Capacity	Cooling	Rated	W	2,100	2,500	3,500
	Heating	Rated	W	2,300	3,200	4,000
Sound Pressure	Cooling	S / L / M / H	dB(A)	19 / 27 / 31 / 36	19 / 27 / 32 / 36	19 / 29 / 34 / 38
	Heating	L / M / H	dB(A)	27 / 31 / 36	27 / 32 / 36	29 / 34 / 39
Sound Power	Cooling	Power	dB(A)	56	56	56
	Heating	Power	dB(A)	56	56	56
Air Flow Rate	Cooling	S / L / M / H	m³/min	3.5 / 5.0 / 6.1 / 7.4	3.5 / 5.0 / 6.4 / 7.7	3.5 / 5.3 / 6.7 / 8.1
	Heating	L / M / H	m³/min	5.0 / 6.1 / 7.4	5.0 / 6.4 / 7.7	5.3 / 6.7 / 8.1
Dehumidification Rate			l/h	0.9	1.1	1.2
Power Supply			Ø / V / Hz	1 / 220-240 / 50	1 / 220-240 / 50	1 / 220-240 / 50
Power Supply Cable			N x mm²	4C x 0.75	4C x 0.75	4C x 0.75
Dimension			mm	837 x 308 x 189	837 x 308 x 189	837 x 308 x 189
Net Weight			kg	9.1	9.1	9.1
ACCESSORIES & OTHERS				DM07RK NSJ	DC09RK NSJ	DC12RK NSJ
Wall Type Single Split Compatible				-	Y	Y
Commercial Single Split Compatible				-	-	-
Dry Contact				Y	Y	Y
Wired Remote Controller				Y	Y	Y
ThinQ (Embedded Wi-Fi)				Y	Y	Y

INDOOR				DC18RK NSK	DC24RK NSK
Capacity	Cooling	Rated	W	5,000	6,600
	Heating	Rated	W	5,800	7,500
Sound Pressure	Cooling	S / L / M / H	dB(A)	31 / 34 / 42 / 47	31 / 34 / 42 / 47
	Heating	L / M / H	dB(A)	34 / 42 / 47	34 / 42 / 47
Sound Power	Cooling	Power	dB(A)	60	64
	Heating	Power	dB(A)	60	64
Air Flow Rate	Cooling	S / L / M / H	m³/min	8.0 / 10.5 / 13.1 / 15.5	8.0 / 10.5 / 13.1 / 16.1
	Heating	L / M / H	m³/min	10.5 / 13.1 / 15.5	10.5 / 13.1 / 16.1
Dehumidification Rate			l/h	1.9	2.6
Power Supply			Ø / V / Hz	1 / 220-240 / 50	1 / 220-240 / 50
Power Supply Cable			N x mm²	4C x 0.75	4C x 0.75
Dimension			mm	998 x 345 x 210	998 x 345 x 210
Net Weight			kg	11.9	12.7
ACCESSORIES & OTHERS				DC18RK NSK	DC24RK NSK
Wall Type Single Split Compatible				Y	Y
Commercial Single Split Compatible				-	-
Dry Contact				Y	Y
Wired Remote Controller				Y	Y
ThinQ (Embedded Wi-Fi)				Y	Y

※ This product contains Fluorinated greenhouse gases (R32).
 ※ S : Sleep / L : Low / M : Medium / H : High
 ※ GWP : Global warming potential
 ※ t-CO₂eq : F-gas(kg)*GWP/1000
 ※ For our policy of continuous product improvement, specification, design and feature are subject to change without prior notice.
 ※ Y : Available or Applied / - : Not Available or Not Applied



LG participates in the ECP programme for EUROVENT AC program. Check ongoing validity of certification : www.eurovent-certification.com

kBtu/H	5	7	9	12	15	18	24
kW	1.5	2.1	2.6	3.5	4.2	5.3	7.0
Standard Plus	● PM05SK NSA	● PM07SK NSA	○● PC09SK NSJ	○● PC12SK NSJ	● PM15SK NSJ	○● PC18SK NSK	○● PC24SK NSK

Single Combination

INDOOR				PM05SK NSA	PM07SK NSA	PC09SK NSJ	PC12SK NSJ	PM15SK NSJ
Capacity	Cooling	Rated	W	1,500	2,100	2,500	3,500	4,200
	Heating	Rated	W	1,600	2,300	3,200	3,800	5,400
Sound Pressure	Cooling	S / L / M / H	dB(A)	22 / 27 / 31 / 36	22 / 27 / 32 / 37	19 / 26 / 33 / 38	19 / 26 / 35 / 39	19 / 28 / 38 / 41
	Heating	L / M / H	dB(A)	25 / 29 / 35	25 / 31 / 37	26 / 33 / 38	26 / 35 / 39	28 / 38 / 41
Sound Power	Cooling	Power	dB(A)	57	57	57	57	57
	Heating	Power	dB(A)	57	57	57	57	57
Air Flow Rate	Cooling	S / L / M / H	m³/min	2.0 / 3.5 / 5.0 / 6.3	2.0 / 3.5 / 5.3 / 6.6	3.0 / 5.0 / 7.6 / 9.1	3.0 / 5.0 / 8.1 / 9.6	3.0 / 5.4 / 8.6 / 10.0
	Heating	L / M / H	m³/min	4.5 / 5.3 / 6.8	4.5 / 5.7 / 7.2	5.0 / 7.6 / 9.1	5.0 / 8.1 / 9.6	5.4 / 8.6 / 10.0
Dehumidification Rate			l/h	0.9	0.9	1.1	1.2	1.2
Power Supply			Ø / V / Hz	1 / 220-240 / 50	1 / 220-240 / 50	1 / 220-240 / 50	1 / 220-240 / 50	1 / 220-240 / 50
Power Supply Cable			N x mm²	4C x 0.75	4C x 0.75	4C x 0.75	4C x 0.75	4C x 0.75
Dimension			mm	754 x 308 x 189	754 x 308 x 189	837 x 308 x 189	837 x 308 x 189	837 x 308 x 189
Net Weight			kg	7.8	7.8	8.7	8.7	8.7
ACCESSORIES & OTHERS				PM05SK NSA	PM07SK NSA	PC09SK NSJ	PC12SK NSJ	PM15SK NSJ
Wall Type Single Split Compatible				-	-	Y	Y	-
Commercial Single Split Compatible				-	-	-	-	-
Dry Contact				Y	Y	Y	Y	Y
Wired Remote Controller				Y	Y	Y	Y	Y
ThinQ (Embedded Wi-Fi)				Y	Y	Y	Y	Y

INDOOR				PC18SK NSK	PC24SK NSK
Capacity	Cooling	Rated	W	5,000	6,600
	Heating	Rated	W	5,800	7,500
Sound Pressure	Cooling	S / L / M / H	dB(A)	31 / 34 / 42 / 47	31 / 34 / 42 / 47
	Heating	L / M / H	dB(A)	34 / 42 / 47	34 / 42 / 47
Sound Power	Cooling	Power	dB(A)	59	65
	Heating	Power	dB(A)	59	65
Air Flow Rate	Cooling	S / L / M / H	m³/min	8.0 / 10.5 / 13.1 / 15.5	8.0 / 10.5 / 13.1 / 16.1
	Heating	L / M / H	m³/min	10.5 / 13.1 / 15.5	10.5 / 13.1 / 16.1
Dehumidification Rate			l/h	1.9	2.6
Power Supply			Ø / V / Hz	1 / 220-240 / 50	1 / 220-240 / 50
Power Supply Cable			N x mm²	4C x 0.75	4C x 0.75
Dimension			mm	998 x 345 x 210	998 x 345 x 210
Net Weight			kg	11.9	12.7
ACCESSORIES & OTHERS				PC18SK NSK	PC24SK NSK
Wall Type Single Split Compatible				Y	Y
Commercial Single Split Compatible				-	-
Dry Contact				Y	Y
Wired Remote Controller				Y	Y
ThinQ (Embedded Wi-Fi)				Y	Y

※ This product contains Fluorinated greenhouse gases (R32).
 ※ S : Sleep / L : Low / M : Medium / H : High
 ※ GWP : Global warming potential
 ※ t-CO₂eq : F-gas(kg)*GWP/1000
 ※ For our policy of continuous product improvement, specification, design and feature are subject to change without prior notice.
 ※ Y : Available or Applied / - : Not Available or Not Applied



LG participates in the ECP programme for EUROVENT AC program. Check ongoing validity of certification : www.eurovent-certification.com

kBtu/H	5	7	9	12	15	18	24
kW	1.5	2.1	2.6	3.5	4.2	5.3	7.0
Standard Plus	● MJ05PC NSJ	● MJ07PC NSJ	○○ MJ09PC NSJ	○○ MJ12PC NSJ	● MJ15PC NSJ	○○ MJ18PC NSK	○○ MJ24PC NSK

Single Combination

INDOOR				MJ05PC NSJ	MJ07PC NSJ	MJ09PC NSJ	MJ12PC NSJ	MJ15PC NSJ
Capacity	Cooling	Rated	W	1,500	2,100	2,500	3,500	4,200
	Heating	Rated	W	1,600	2,300	3,200	3,800	5,400
Sound Pressure	Cooling	S / L / M / H	dB(A)	19 / 27 / 30 / 35	19 / 27 / 31 / 36	19 / 27 / 32 / 36	19 / 29 / 34 / 38	19 / 29 / 35 / 40
	Heating	L / M / H	dB(A)	27 / 30 / 35	27 / 31 / 36	27 / 32 / 36	29 / 34 / 38	29 / 35 / 40
Sound Power	Cooling	Power	dB(A)	57	57	57	57	57
Air Flow Rate	Cooling	S / L / M / H	m³/min	3.5 / 5.0 / 5.8 / 7.1	3.5 / 5.0 / 6.1 / 7.4	3.5 / 5.0 / 6.4 / 7.7	3.5 / 5.3 / 6.7 / 8.1	3.5 / 5.4 / 7.0 / 8.7
	Heating	Max. (Power)	m³/min	10.1	10.1	10.1	10.1	10.1
Dehumidification Rate	Heating	L / M / H	m³/min	5.0 / 5.8 / 7.1	5.0 / 6.1 / 7.4	5.0 / 6.4 / 7.7	5.3 / 6.7 / 8.1	5.4 / 7.0 / 8.7
Power Supply		l/h		0.9	0.9	1.1	1.2	1.2
Power Supply Cable		Ø / V / Hz		1 / 220-240 / 50	1 / 220-240 / 50	1 / 220-240 / 50	1 / 220-240 / 50	1 / 220-240 / 50
Dimension		N x mm²		4C x 0.75	4C x 0.75	4C x 0.75	4C x 0.75	4C x 0.75
Net Weight		mm		837 x 308 x 189	837 x 308 x 189	837 x 308 x 189	837 x 308 x 189	837 x 308 x 189
		kg		8.7	8.7	8.7	8.7	8.7
ACCESSORIES & OTHERS				MJ05PC NSJ	MJ07PC NSJ	MJ09PC NSJ	MJ12PC NSJ	MJ15PC NSJ
Wall Type Single Split Compatible				-	-	-	-	-
Commercial Single Split Compatible				-	-	Y	Y	-
Dry Contact				Y	Y	Y	Y	Y
Wired Remote Controller				Y	Y	Y	Y	Y
ThinQ (Embedded Wi-Fi)				Y	Y	Y	Y	Y

INDOOR				MJ18PC NSK	MJ24PC NSK
Capacity	Cooling	Rated	W	5,000	6,600
	Heating	Rated	W	5,800	7,500
Sound Pressure	Cooling	S / L / M / H	dB(A)	31 / 34 / 42 / 47	31 / 34 / 42 / 47
	Heating	L / M / H	dB(A)	34 / 42 / 47	34 / 42 / 47
Sound Power	Cooling	Power	dB(A)	59	65
Air Flow Rate	Cooling	S / L / M / H	m³/min	8.0 / 10.5 / 13.1 / 15.5	8.0 / 10.5 / 13.1 / 16.1
	Heating	Max. (Power)	m³/min	16.8	18.3
Dehumidification Rate	Heating	L / M / H	m³/min	10.5 / 13.1 / 15.5	10.5 / 13.1 / 16.1
Power Supply		l/h		1.9	2.6
Power Supply Cable		Ø / V / Hz		1 / 220-240 / 50	1 / 220-240 / 50
Dimension		N x mm²		4C x 0.75	4C x 0.75
Net Weight		mm		998 x 345 x 210	998 x 345 x 210
		kg		12.0	12.0
ACCESSORIES & OTHERS				MJ18PC NSK	MJ24PC NSK
Wall Type Single Split Compatible				-	-
Commercial Single Split Compatible				Y	Y
Dry Contact				Y	Y
Wired Remote Controller				Y	Y
ThinQ (Embedded Wi-Fi)				Y	Y

※ This product contains Fluorinated greenhouse gases (R32).
 ※ S : Sleep / L : Low / M : Medium / H : High
 ※ GWP : Global warming potential
 ※ t-CO₂eq : F-gas(kg)*GWP/1000
 ※ For our policy of continuous product improvement, specification, design and feature are subject to change without prior notice.
 ※ Y : Available or Applied / - : Not Available or Not Applied



LG participates in the ECP programme for EUROVENT AC program. Check ongoing validity of certification : www.eurovent-certification.com

kBtu/H	5	7	9	12	15	18	24
kW	1.5	2.1	2.6	3.5	4.2	5.3	7.0
Standard2	-	● MS07ET NSA	○○ S09ET NSJ	○○ S12ET NSJ	-	○○ S18ET NSK	○○ S24ET NSK

Single Combination

INDOOR				MS07ET NSA	S09ET NSJ	S12ET NSJ
Capacity	Cooling	Rated	W	2,100	2,500	3,500
	Heating	Rated	W	2,300	3,200	3,800
Sound Pressure	Cooling	S / L / M / H	dB(A)	22 / 27 / 32 / 37	19 / 26 / 33 / 38	19 / 26 / 35 / 39
	Heating	L / M / H	dB(A)	25 / 31 / 37	26 / 33 / 38	26 / 35 / 39
Sound Power	Cooling	Power	dB(A)	57	57	57
Air Flow Rate	Cooling	S / L / M / H	m³/min	2.0 / 3.5 / 5.3 / 6.6	3.0 / 5.0 / 7.6 / 9.1	3.0 / 5.0 / 8.1 / 9.6
	Heating	Max. (Power)	m³/min	10.5	11.1	11.1
Dehumidification Rate	Heating	L / M / H	m³/min	4.5 / 5.7 / 7.2	5.0 / 7.6 / 9.1	5.0 / 8.1 / 9.6
Power Supply		l/h		0.6	1.1	1.2
Power Supply Cable		Ø / V / Hz		1 / 220-240 / 50	1 / 220-240 / 50	1 / 220-240 / 50
Dimension		N x mm²		4C x 0.75	4C x 0.75	4C x 0.75
Net Weight		mm		754 x 308 x 189	837 x 308 x 189	837 x 308 x 189
		kg		7.8	8.7	8.7
ACCESSORIES & OTHERS				MS07ET NSA	S09ET NSJ	S12ET NSJ
Wall Type Single Split Compatible				-	Y	Y
Commercial Single Split Compatible				-	-	-
Dry Contact				Y	Y	Y
Wired Remote Controller				Y	Y	Y
ThinQ (Embedded Wi-Fi)				Y	Y	Y

INDOOR				S18ET NSK	S24ET NSK
Capacity	Cooling	Rated	W	5,000	6,600
	Heating	Rated	W	5,800	7,500
Sound Pressure	Cooling	S / L / M / H	dB(A)	31 / 34 / 42 / 47	31 / 34 / 42 / 47
	Heating	L / M / H	dB(A)	34 / 42 / 47	34 / 42 / 47
Sound Power	Cooling	Power	dB(A)	59	65
Air Flow Rate	Cooling	S / L / M / H	m³/min	8.0 / 10.5 / 13.1 / 15.5	8.0 / 10.5 / 13.1 / 16.1
	Heating	Max. (Power)	m³/min	16.8	18.3
Dehumidification Rate	Heating	L / M / H	m³/min	10.5 / 13.1 / 15.5	10.5 / 13.1 / 16.1
Power Supply		l/h		1.9	2.6
Power Supply Cable		Ø / V / Hz		1 / 220-240 / 50	1 / 220-240 / 50
Dimension		N x mm²		4C x 0.75	4C x 0.75
Net Weight		mm		998 x 345 x 210	998 x 345 x 210
		kg		11.9	12.7
ACCESSORIES & OTHERS				S18ET NSK	S24ET NSK
Wall Type Single Split Compatible				Y	Y
Commercial Single Split Compatible				-	-
Dry Contact				Y	Y
Wired Remote Controller				Y	Y
ThinQ (Embedded Wi-Fi)				Y	Y

※ This product contains Fluorinated greenhouse gases (R32).
 ※ S : Sleep / L : Low / M : Medium / H : High
 ※ GWP : Global warming potential
 ※ t-CO₂eq : F-gas(kg)*GWP/1000
 ※ For our policy of continuous product improvement, specification, design and feature are subject to change without prior notice.
 ※ Y : Available or Applied / - : Not Available or Not Applied

Enjoy A New Level Of Fresh Air

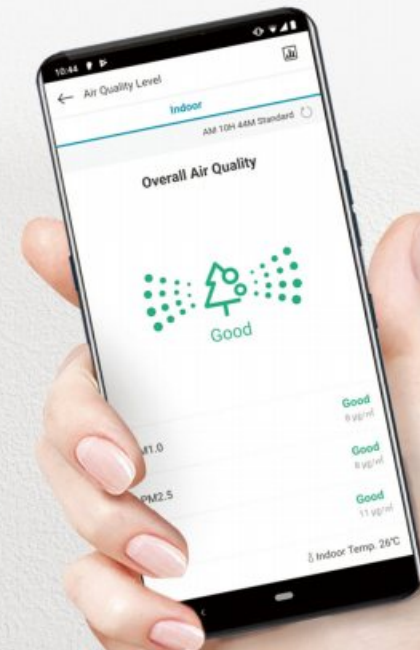
Air Purification Kit with 1 Way CST



Cooling + Heating + Air Purification
Comfort 365 Days

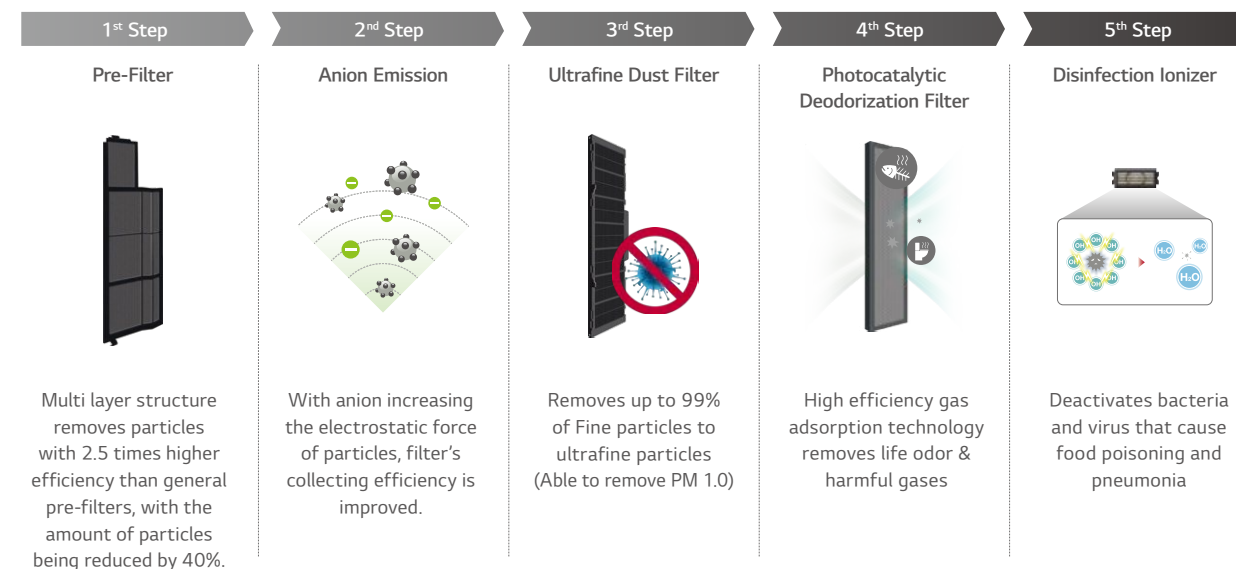
Removes Ultrafine Dust
**Electrical Diffusion,
PM 1.0 & Deodorization
Filter and Ionizer**

Real-time Control & Monitoring
**Smart Indicator
Remote Controller
Smart Phone (ThinQ App)**



Air Conditioner and Air Purifier in One

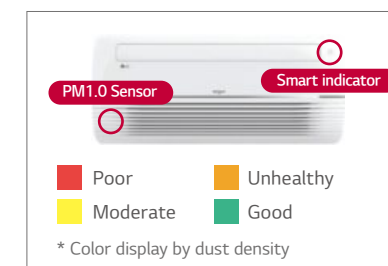
5-Steps air cleaning process removes invisible, Ultrafine dust, odor and germs to ensure a clean and healthy living environment.



Convenient Monitoring

Smart Indicator

Shows quality of Indoor air in real time



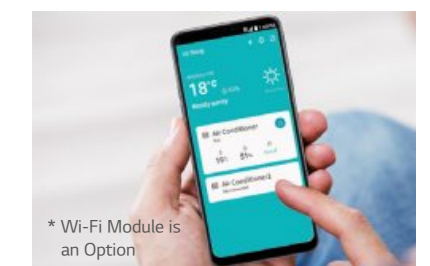
Remote Controller

Displays air status and fine dust concentration



Smart Phone

Control air status can be checked whenever & wherever.



Certificate of Removal Performance

[Verification for Ultrafine Dust Removal]

[Verification for Culturable Bacteria and Virus Removal]



[1 Way CST]

- Virus (Bacteriophage Phi-X174): 95.3% removed within 30 minutes
- Bacteria (Staphylococcus): 91.2% removed within 60 minutes
- Ultrafine dust removal (50 nm, 100 nm): 99.9% removed

Human Detection for Your Comfort and Energy Saving

Human detection function identifies presence of people in order to provide pleasant airflow & energy saving.

Comfort Indirect

Prevent airflow from heading to a user by sensing.



- Available only for CT24F NB0 Model.
- Available only for products with Human Detecting sensor.

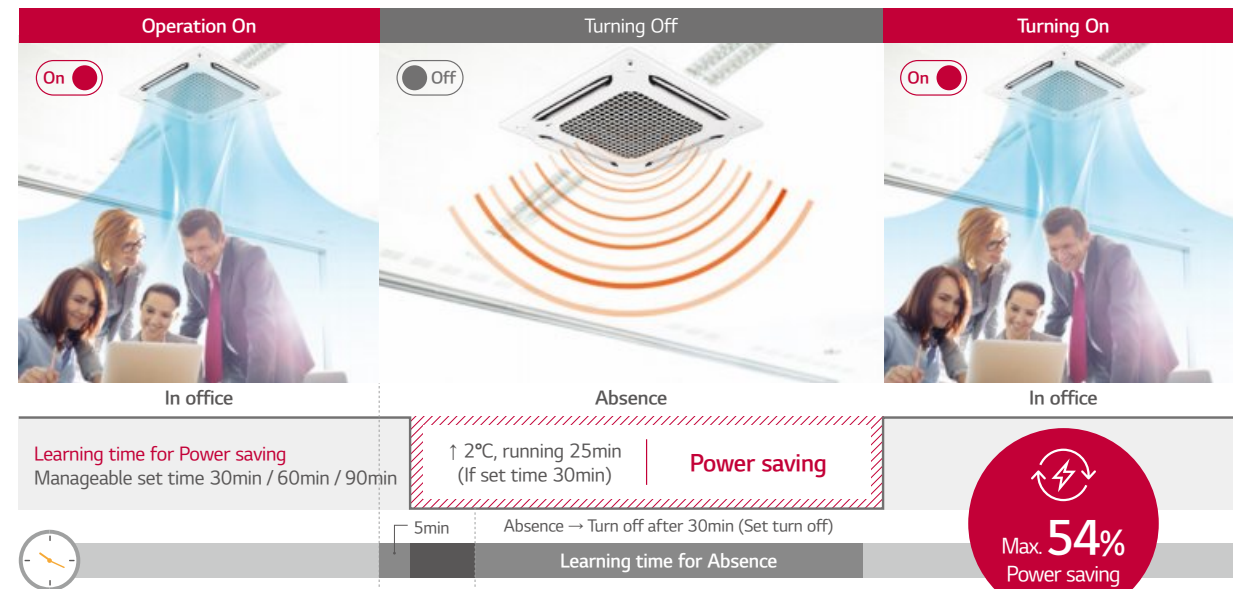
Follow User Direct

Head air flow to a user by sensing.



Sensor Detection for Energy Saving

The sensor detects the absence of occupants and stops / activates operation, saving 54% of energy.



- Data Based on actual test of LG, single product 2 hours measurement result (cooling 26°C, power wind)

Human Detecting Process

Step 1

Select candidates to be recognized as a human body based on motion detection.



Inputting Image



Detecting Motion



Selecting Human Body Candidates



Human Body Sorter



Final detected Human Body

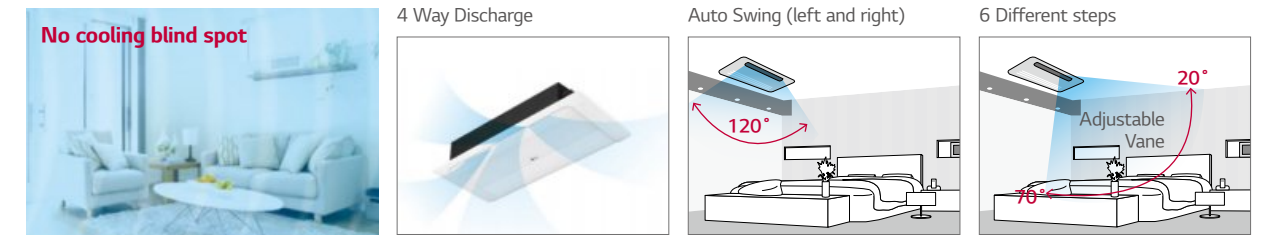
※ Images are not saved.

Comfort Air

Two vane angles can be controlled in 6 steps from 20° to 70°, depending on the indoor environment and personal preference.

Automatic 4 Way Wind Direction

The wind is discharged evenly up, down, left, and right automatically, so there is no cooling blind spot.



Direct & Indirect Wind

1 Way Cassette



Comfort indirect wind
Without blowing directly at people in the room, the space is comfortable!



Cool direct wind
Cooler on a hot day.

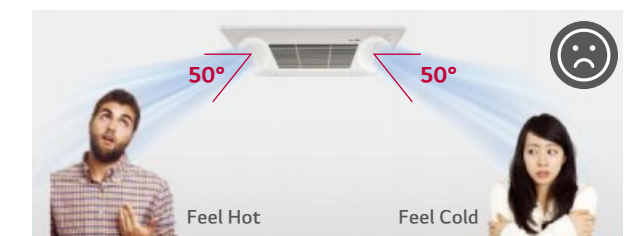
Independent Vane Operation

The independent vane operation function uses separate motors, making it possible to control all four vanes independently.



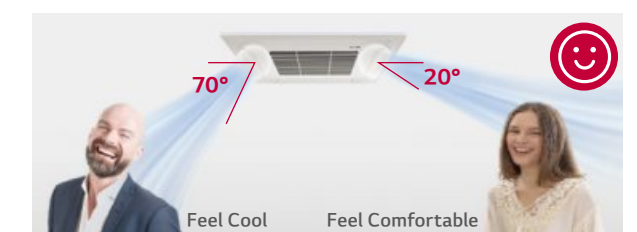
Individual vane control

Swirl swing



Feel Hot

Feel Cold



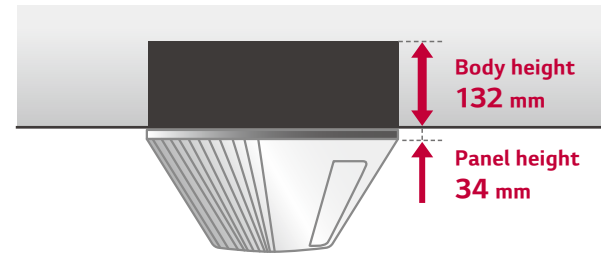
Feel Cool

Feel Comfortable

Compact Size of Indoor Unit

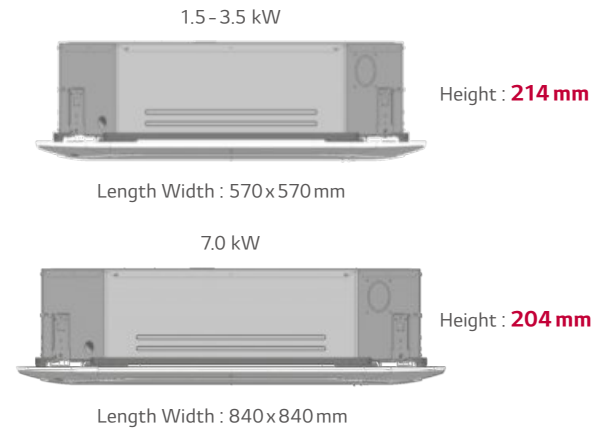
LG 1 Way Cassette

Slim & compact design not only saves space, but also reduces installation costs. **The height of 1 Way Cassette is 132 mm, making it the ideal solution for installation in limited space.**



LG 4 Way Cassette

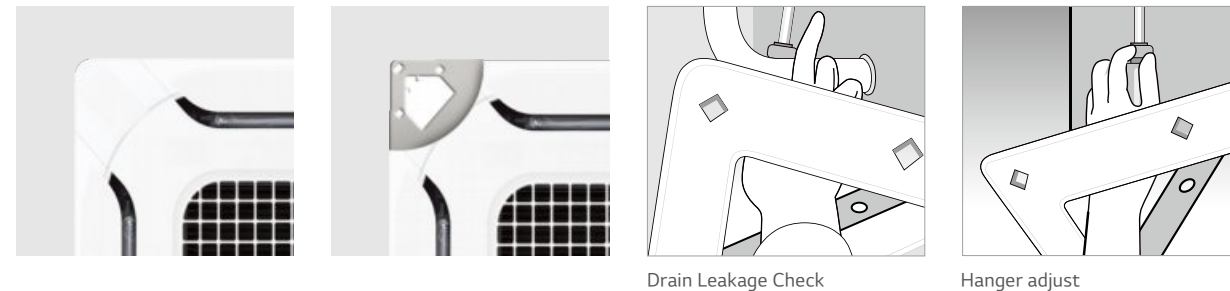
Slim & compact design not only saves space, but also improves workability. It's designed to suit most of building designs and fit into various spaces.



Convenient Panel Installation

The detachable corner design makes it easy to adjust the hanger during installation and to check for leakages in the drain connection pipe. And it is easy to install the panel to the body, using the button type panel design.

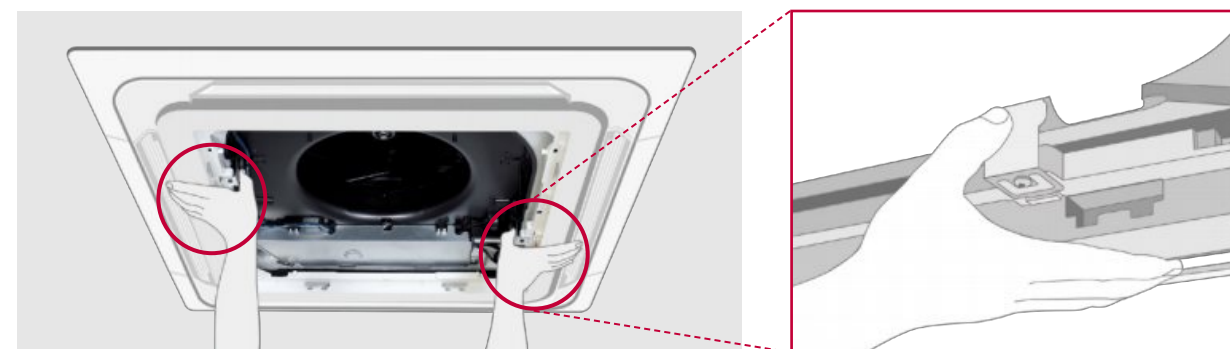
Detachable Corner Design



Drain Leakage Check

Hanger adjust

One Push Panel

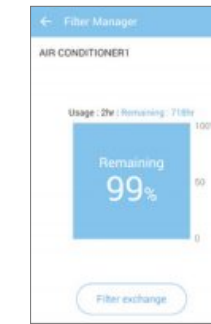


Filter Maintenance & Sign

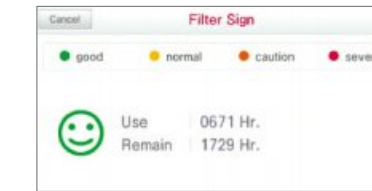
1 Way Cassette notifies the user of the time of cleaning not only by the remote controller or mobile application, but also by the LED display on the cassette. It makes the filter management easy and the indoor environment can be kept clean.

Filter Sign

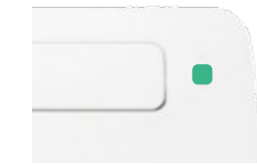
Mobile Application*



Wired Remote Controller*



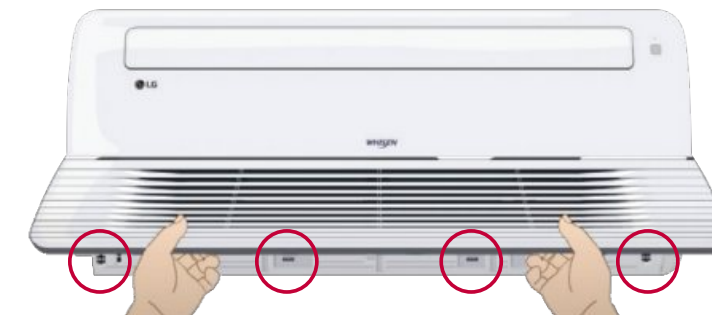
Indicator Color



DESCRIPTION	LAMP COLOR
Cooling mode	Green
Heating mode	Green
Time to clean filter in cooling/heating Mode	Yellowish Green
Time to clean filter when product is not operating	Orange
Hot start or defrost mode before starting heating mode	Green
When reservation set on	Yellowish Green

One Touch Magnetic

The 1 Way cassette is easily maintained when filter change or cleaning by one touch magnetic are needed.



Convenient Remote Controller for Ceiling Mounted Cassette and Ceiling Concealed Duct

Standard III remote controller offers 4.3 inch LCD screen with luxurious design which well-matches interior design through simple button layout.



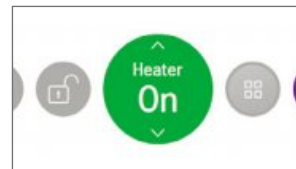
Standard III Remote Controller

Humidity Display



External Equipment Control

A user can turn on or off the external equipment through 1 Digital Output port



User Friendly Design

Intuitive GUI design using circle theme



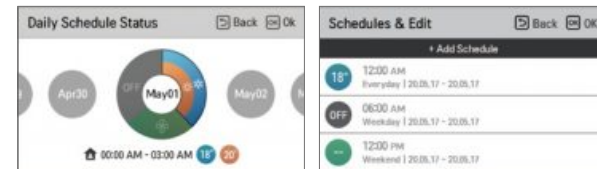
Note : Some function may not work in some products

Multi Language Support

English, French, German, Spanish, Italian Portuguese, Polish, Czech, Russian, Chinese

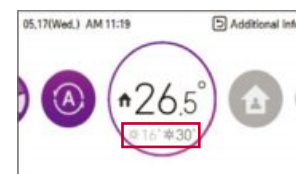
Optimized Schedule

Easy scheduling from daily to yearly

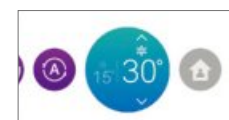


2 Set Point

Room temperature is decided by setting 2 set point for cooling and heating



for Cooling



for Heating



LG participates in the ECP programme for EUROVENT AC program. Check ongoing validity of certification : www.eurovent-certification.com

kBtu/H	5	7	9	12	15	18	24
kW	1.5	2.1	2.6	3.5	4.2	5.3	7.0
1 Way Cassette	-	-	● MT09R NU1	● MT11R NU1	-	-	-

1 Way Cassette

INDOOR				MT09R NU1	MT11R NU1
Capacity	Cooling / Heating	Nom.	kW	2.6 / 2.9	3.5 / 3.9
Power Input		Nom.	W	20	20
Running Current		Nom.	A	0.2	0.2
Power Supply		Ø / V / Hz		1 / 220-240 / 50	1 / 220-240 / 50
Air Flow Rate		H / M / L	m ³ /min	7.5 / 7.3 / 6.8	8.1 / 7.4 / 7.0
Sound Pressure	Cooling	H / M / L	dB(A)	36 / 34 / 32	37 / 36 / 33
Sound Power	Cooling	Max.	dB(A)	54	57
Dehumidification Rate			l/h	1.1	1.2
Dimensions	Body	W x H x D	mm	860 x 132 x 450	860 x 132 x 450
Net Weight	Body		kg	13.5	13.5
Piping Connection	Liquid		mm (inch)	Ø6.35 (1/4)	Ø6.35 (1/4)
	Gas		mm (inch)	Ø9.52 (3/8)	Ø9.52 (3/8)
Decoration Panel	Model			PT-UAHWO / PT-UAHGO / PT-UPHGO	PT-UAHWO / PT-UAHGO / PT-UPHGO
ACCESSORIES & OTHERS				MT09R NU1	MT11R NU1
Commercial Single Split Compatible				-	-
Dual Vane Cassette Panel				-	-
Air Purification Kit				Y	Y
Dry Contact				Y	Y
Wireless or Wired Remote Controller				Y	Y
ThinQ (Wi-Fi)				Y	Y

※ This product contains Fluorinated greenhouse gases (R32).

※ For our policy of continuous product improvement, specification, design and features are subject to change without prior notice.

※ Y : Available or Applied / - : Not Available or Not Applied



LG participates in the ECP programme for EUROVENT AC program. Check ongoing validity of certification : www.eurovent-certification.com

kBtu/H	5	7	9	12	15	18	24
kW	1.5	2.1	2.6	3.5	4.2	5.3	7.0
4 Way Cassette	● MT06R NRO	● MT08R NRO	○○ CT09F NRO	○○ CT12F NRO	-	○○ CT18F NQO	○○ CT24F NBO

4 Way Cassette

INDOOR				MT06R NRO	MT08R NRO	CT09F NRO
Capacity	Cooling / Heating	Nom.	kW	1.5 / 1.6	2.1 / 2.3	2.6 / 2.9
Power Input		Nom.	W	20	20	22
Running Current		Nom.	A	0.40	0.40	0.40
Power Supply		Ø / V / Hz		1 / 220-240 / 50	1 / 220-240 / 50	1 / 220-240 / 50
Air Flow Rate		H / M / L	m ³ /min	7.5 / 6.0 / 5.0	7.5 / 6.0 / 5.0	8.5 / 7.0 / 6.0
Sound Pressure	Cooling	H / M / L	dB(A)	31 / 27 / 24	31 / 27 / 24	36 / 33 / 30
Sound Power	Cooling	Max.	dB(A)	48	48	52
Dehumidification Rate			l/h	-	-	0.9
Dimensions	Body	W x H x D	mm	570 x 214 x 570	570 x 214 x 570	570 x 214 x 570
Net Weight	Body		kg	11.7	11.7	12.4
Piping Connection	Liquid		mm (inch)	Ø6.35 (1/4)	Ø6.35 (1/4)	Ø6.35 (1/4)
	Gas		mm (inch)	Ø9.52 (3/8)	Ø9.52 (3/8)	Ø9.52 (3/8)
Decoration Panel	Model			PT-QAGW0	PT-QAGW0	PT-QAGW0
	Color			Morning Fog (9001)	Morning Fog (9001)	White (9003)
	Dimensions	W x H x D	mm	620 x 34 x 620	620 x 34 x 620	620 x 35 x 620
	Weight		kg	3	3	2.9
ACCESSORIES & OTHERS				MT06R NRO	MT08R NRO	CT09F NRO
Commercial Single Split Compatible				-	-	Y
Dual Vane Cassette Panel				-	-	-
Air Purification Kit				-	-	-
Dry Contact				Y	Y	Y
Wireless or Wired Remote Controller				Y	Y	Y
ThinQ (Wi-Fi)				Y	Y	Y

INDOOR				CT12F NRO	CT18F NQO	CT24F NBO
Capacity	Cooling / Heating	Nom.	kW	3.5 / 3.9	5.3 / 5.8	6.7 / 7.5
Power Input		Nom.	W	24	26	26
Running Current		Nom.	A	0.40	0.40	0.60
Power Supply		Ø / V / Hz		1 / 220-240 / 50	1 / 220-240 / 50	1 / 220-240 / 50
Air Flow Rate		H / M / L	m ³ /min	9.5 / 8.0 / 7.0	13.0 / 12.0 / 11.0	17.0 / 15.0 / 13.0
Sound Pressure	Cooling	H / M / L	dB(A)	38 / 35 / 32	41 / 39 / 39	38 / 36 / 34
Sound Power	Cooling	Max.	dB(A)	52	57	53
Dehumidification Rate			l/h	1.4	2.0	2.7
Dimensions	Body	W x H x D	mm	570 x 214 x 570	570 x 256 x 570	840 x 204 x 840
Net Weight	Body		kg	12.4	13.9	21.1
Piping Connection	Liquid		mm (inch)	Ø6.35 (1/4)	Ø6.35 (1/4)	Ø6.35 (1/4)
	Gas		mm (inch)	Ø9.52 (3/8)	Ø12.7 (1/2)	Ø12.7 (1/2)
Decoration Panel	Model			PT-QAGW0	PT-QAGW0	PT-AAGW0
	Color			White (9003)	White (9003)	White (9003)
	Dimensions	W x H x D	mm	620 x 35 x 620	620 x 35 x 620	950 x 35 x 950
	Weight		kg	2.9	2.9	7.1
ACCESSORIES & OTHERS				CT12F NRO	CT18F NQO	CT24F NBO
Commercial Single Split Compatible				Y	Y	Y
Dual Vane Cassette Panel				-	-	Y
Air Purification Kit				-	-	Y
Dry Contact				Y	Y	Y
Wireless or Wired Remote Controller				Y	Y	Y
ThinQ (Wi-Fi)				Y	Y	Y

※ Dual vane is applied to 24k
 ※ This product contains Fluorinated greenhouse gases (R32).
 ※ For our policy of continuous product improvement, specification, design and features are subject to change without prior notice.
 ※ Y : Available or Applied / - : Not Available or Not Applied

Compact Size of Indoor Unit

Slim & Compact design of low-static ducts being easy to carry, it makes it an ideal solution for installation in a limited space, saving labor cost for installation and maintenance.



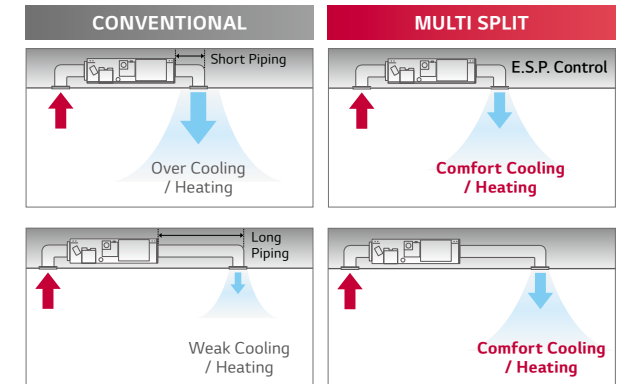
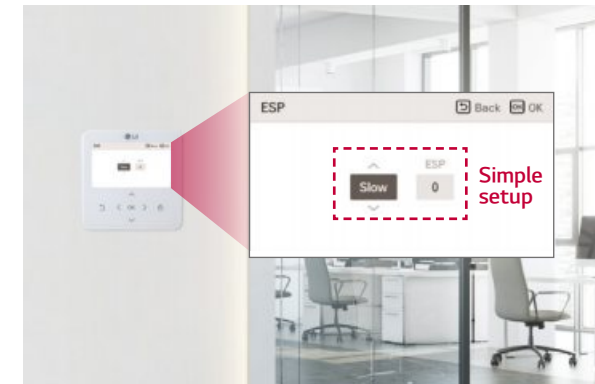
COOLING CAPA. (kW)	BODY (W x H x D, mm)	WEIGHT (kg)
2.5	900 x 190 x 460	18.0
3.5	900 x 190 x 460	18.0
5.0	1,100 x 190 x 460	20.9
7.0	1,100 x 190 x 700	26.0

* Based on low pressure duct

E.S.P. (External Static Pressure) Control

E.S.P. control function enables to control air volume easily with a remote controller. The BLDC motor can control fan speed and air volume regardless of the external static pressure.

Set RPM by simple touch on remote control to change the airflow.

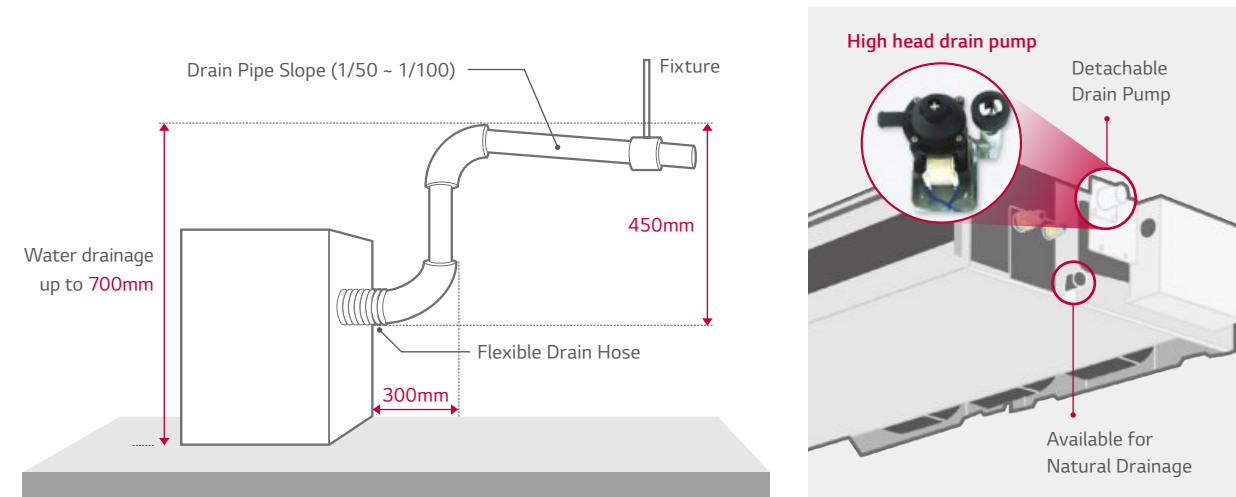


※ ESP Setting guide (Wired Remote Controller) :
 - Standard III (PREMTB100/B10) : Menu → Setting → Installer → ESP setting
 - Standard II (PREMTB001/B01) : Button click → 03 : XX → ESP setting

※ Wired remote controller is necessary.

High Head Drain Pump

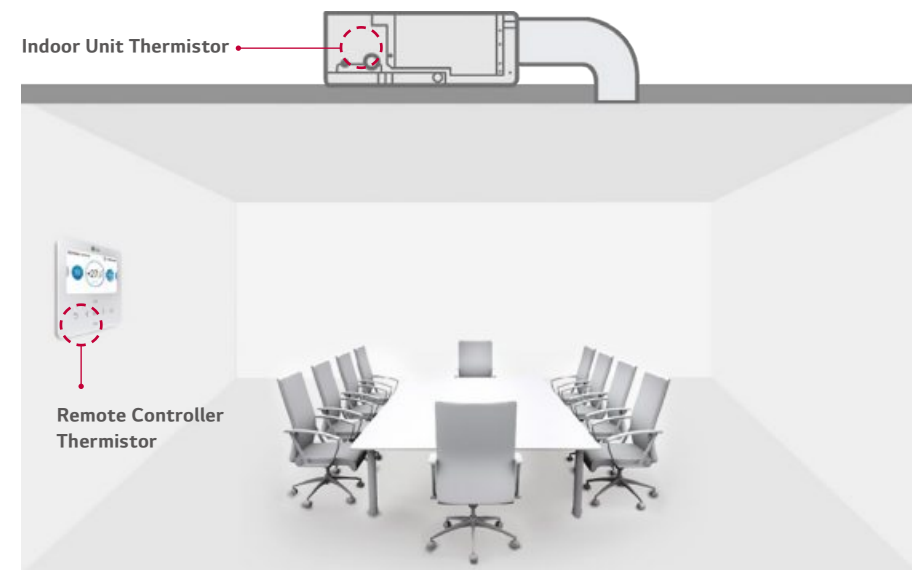
High head drain pump automatically drains water up to 700mm of drain-head height. It provides a perfect solution for water drainage.



※ Mid-static duct: Accessory (ABDPG) / Low-static duct : Included

Two Thermistors Control

The indoor temperature can be checked using the thermistors in the remote controller as well as from the indoor unit. Two thermistors check indoor air temperature and select the optimal temperature for a more comfortable environment.



Compares temperatures sensed from different positions, and automatically selects the optimum temperature for users.



LG participates in the ECP programme for EUROVENT AC program. Check ongoing validity of certification : www.eurovent-certification.com

kBtu/H	5	7	9	12	15	18	24
kW	1.5	2.1	2.6	3.5	4.2	5.3	7.0
Mid / High Static Pressure						◎◎ CM18F N10	◎◎ CM24F N10

Duct (Mid Static)

INDOOR				CM18F N10	CM24F N10
Capacity	Cooling / Heating	Nom.	kW	5.3 / 5.8	7.0 / 7.7
Power Input		H / M / L	W	150 / 130 / 110	180 / 150 / 130
Running Current		H / M / L	A	0.85 / 0.76 / 0.67	0.98 / 0.85 / 0.76
Power Supply			Ø / V / Hz	1 / 220-240 / 50	1 / 220-240 / 50
Air Flow Rate		H / M / L	m ³ /min	16.5 / 14.5 / 13.0	18.0 / 16.5 / 14.5
Sound Pressure		H / M / L	dB(A)	34 / 32 / 30	35 / 34 / 32
Sound Power Level		Rated	dB(A)	59	60
Dehumidification Rate			l/h	1.5	2.5
Dimensions		W x H x D	mm	900 x 270 x 700	900 x 270 x 700
Net Weight			kg	24.6	24.6
Piping Connections	Liquid Side		mm (inch)	Ø6.35 (1/4)	Ø9.52 (3/8)
	Gas Side		mm (inch)	Ø12.7 (1/2)	Ø15.88 (5/8)
External static pressure		Min. - Max.	Pa (mmAq)	58.8 (6)	58.8 (6)
ACCESSORIES & OTHERS				CM18F N10	CM24F N10
Commercial Single Split Compatible				Y	Y
Dual Vane Cassette Panel				-	-
Air Purification Kit (UVnano Filter Box)				Y	Y
Dry Contact				Y	Y
Wireless or Wired Remote Controller				Y	Y
ThinQ (Wi-Fi)				Y	Y

※ This product contains Fluorinated greenhouse gases (R32).

※ For our policy of continuous product improvement, specification, design and features are subject to change without prior notice.

※ Y : Available or Applied / - : Not Available or Not Applied



LG participates in the ECP programme for EUROVENT AC program. Check ongoing validity of certification : www.eurovent-certification.com

kBtu/H	5	7	9	12	15	18	24
kW	1.5	2.1	2.6	3.5	4.2	5.3	7.0
Low Static Pressure	-	-	○○ CL09F N50	○○ CL12F N50	-	○○ CL18F N60	-

Duct (Low Static)

INDOOR				CL09F N50	CL12F N50	CL18F N60
Capacity	Cooling / Heating	Nom.	kW	2.5 / 3.2	3.4 / 4.0	5.0 / 5.8
Power Input		H / M / L	W	21 / 15 / 13	21 / 15 / 13	100 / 90 / 80
Running Current		H / M / L	A	0.21 / 0.16 / 0.14	0.21 / 0.16 / 0.14	0.43 / 0.39 / 0.34
Power Supply			Ø / V / Hz	1 / 220-240 / 50	1 / 220-240 / 50	1 / 220-240 / 50
Air Flow Rate		H / M / L	m³/min	11.5 / 9.5 / 8.0	11.5 / 9.5 / 8.0	15.0 / 12.0 / 10.0
Sound Pressure		H / M / L	dB(A)	35 / 30 / 27	35 / 30 / 27	34 / 31 / 29
Sound Power Level		Rated	dB(A)	55	55	56
Dehumidification Rate			l/h	0.5	0.9	1.7
Dimensions		W x H x D	mm	900 x 190 x 460	900 x 190 x 460	1,100 x 190 x 460
Net Weight			kg	18.0	18.0	20.9
Piping	Liquid Side		mm (inch)	Ø 6.35 (1/4)	Ø 6.35 (1/4)	Ø 6.35 (1/4)
Connections	Gas Side		mm (inch)	Ø 9.52 (3/8)	Ø 9.52 (3/8)	Ø 12.7 (1/2)
External static pressure	Min. - Max.		Pa (mmAq)	0 - 5 (0 - 50)	0 - 5 (0 - 50)	0 - 5 (0 - 50)
ACCESSORIES & OTHERS				CL09F N50	CL12F N50	CL18F N60
Commercial Single Split Compatible				Y	Y	Y
Dual Vane Cassette Panel				-	-	-
Air Purification Kit (UVnano Filter Box)				Y	Y	Y
Dry Contact				Y	Y	Y
Wireless or Wired Remote Controller				Y	Y	Y
ThinQ (Wi-Fi)				Y	Y	Y

※ This product contains Fluorinated greenhouse gases (R32).
 ※ For our policy of continuous product improvement, specification, design and features are subject to change without prior notice.
 ※ Y : Available or Applied / - : Not Available or Not Applied



LG participates in the ECP programme for EUROVENT AC program. Check ongoing validity of certification : www.eurovent-certification.com

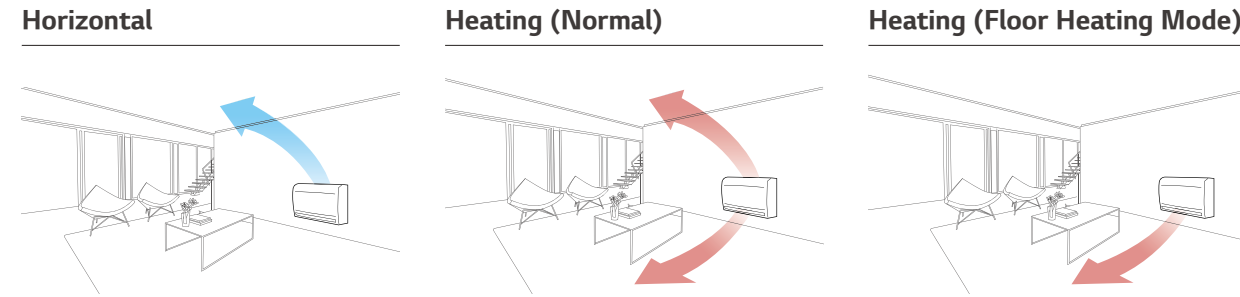
kBtu/H	5	7	9	12	15	18	24
kW	1.5	2.1	2.6	3.5	4.2	5.3	7.0
Low Static Pressure	-	-	-	-	-	-	○○ CL24F N30

Duct (Low Static)

INDOOR				CL24F N30
Capacity	Cooling / Heating	Nom.	kW	6.8 / 7.5
Power Input		H / M / L	W	150 / 130 / 110
Running Current		H / M / L	A	0.65 / 0.56 / 0.47
Power Supply			Ø / V / Hz	1 / 220-240 / 50
Air Flow Rate		H / M / L	m³/min	20.0 / 16.0 / 12.0
Sound Pressure		H / M / L	dB(A)	39 / 35 / 32
Sound Power Level		Rated	dB(A)	58
Dehumidification Rate			l/h	2.5
Dimensions		W x H x D	mm	1,100 x 190 x 700
Net Weight			kg	26.0
Piping	Liquid Side		mm (inch)	Ø 9.52 (3/8)
Connections	Gas Side		mm (inch)	Ø 15.88 (5/8)
External static pressure	Min. - Max.		Pa (mmAq)	0 - 5 (0 - 50)
ACCESSORIES & OTHERS				CL24F N30
Commercial Single Split Compatible				Y
Dual Vane Cassette Panel				-
Air Purification Kit (UVnano Filter Box)				Y
Dry Contact				Y
Wireless or Wired Remote Controller				Y
ThinQ (Wi-Fi)				Y

Optimized Air Flow for Cooling & Heating

During cooling operation, the vane adjusts upwards to direct air flow toward the ceiling. During heating operation, the vane directs the air flow toward the floor to balance out the room temperature. A wireless controller is included with the indoor console unit.



Quick Floor Heating

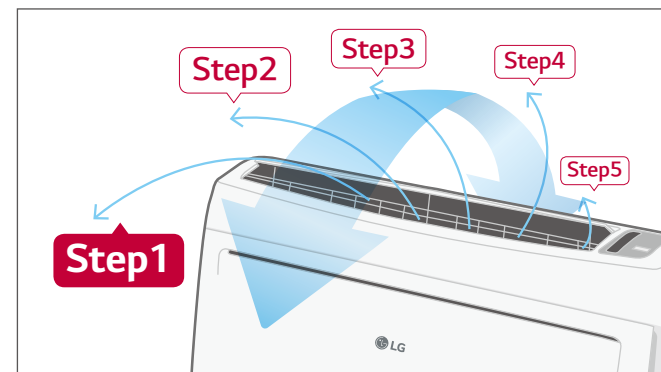
Console air conditioners offer a fast and powerful performance. Using the floor heating mode, console air conditioners provide faster floor heating and help to reach the desired temperature quickly.

	Company A	Electric Heater	LG	LG Floor Heating Mode
 Vertical				
Horizontal				
Lead Time for Heating (13°C ~ 21°C)	12 minutes 30 seconds	50 minutes	9 minutes 30 seconds	8 minutes 40 seconds

※ Test Condition : Target Temp 23°C, Indoor Room : 13°C-, Outdoor Room : 7°C

5-Step Vane Control

There are 5 different stages to control air flow direction.



LG participates in the ECP programme for EUROVENT AC program. Check ongoing validity of certification : www.eurovent-certification.com

CAPACITY (KW)	2.6	3.5	5.3
Console	UQQ9F NAO / CQ09 NAO	UQ12F NAO / CQ12 NAO	UQ18F NAO / CQ18 NAO

Console

R32

INDOOR				UQQ9F NAO	UQ12F NAO	UQ18F NAO
Capacity	Cooling / Heating	Nom.	kW	2.6 / 3.1	3.5 / 4.0	5.0 / 4.9
Power Input		Nom.	W	30	30	39
Running Current		Nom.	A	0.5	0.5	0.5
Power Supply			Ø / V / Hz	1 / 220-240 / 50	1 / 220-240 / 50	1 / 220-240 / 50
Air Flow Rate		H / M / L	m ³ /min	8.5 / 6.7 / 5.0	9.0 / 6.9 / 5.2	10.1 / 8.6 / 7.2
Sound Pressure	Cooling	H / M / L	dB(A)	38 / 32 / 27	38 / 32 / 27	44 / 39 / 35
Sound Power	Cooling	Max.	dB(A)	59	59	60
Dimensions	Body	W x H x D	mm	700 x 600 x 210	700 x 600 x 210	700 x 600 x 210
Net Weight	Body		kg	16.3	16.3	16.3
Piping Connection	Liquid		mm (inch)	Ø6.35 (1/4)	Ø6.35 (1/4)	Ø6.35 (1/4)
	Gas		mm (inch)	Ø9.52 (3/8)	Ø9.52 (3/8)	Ø12.7 (1/2)
ACCESSORIES & OTHERS				UQQ9F NAO	UQ12F NAO	UQ18F NAO
Commercial Single Split Compatible				Y	Y	Y
Dual Vane Cassette Panel				-	-	-
Air Purification Kit (UVnano Filter Box)				-	-	-
Dry Contact				Y	Y	Y
Wireless or Wired Remote Controller				Y	Y	Y
ThinQ (Wi-Fi)				Y	Y	Y

R410A

INDOOR				CQ09 NAO	CQ12 NAO	CQ18 NAO
Capacity	Cooling / Heating	Nom.	kW	2.6 / 2.9	3.5 / 3.9	5.3 / 5.8
Power Input		Nom.	W	20	20	40
Running Current		Nom.	A	0.6	0.6	0.7
Power Supply			Ø / V / Hz	1 / 220-240 / 50	1 / 220-240 / 50	1 / 220-240 / 50
Air Flow Rate		H / M / L	m ³ /min	8.5 / 6.7 / 5.0	9.0 / 6.9 / 5.2	10.1 / 8.6 / 7.2
Sound Pressure	Cooling	H / M / L	dB(A)	38 / 32 / 27	39 / 32 / 27	44 / 39 / 35
Sound Power	Cooling	Max.	dB(A)	53	56	60
Dehumidification Rate			l/h	1.2	1.4	2.3
Dimensions	Body	W x H x D	mm	700 x 600 x 210	700 x 600 x 210	700 x 600 x 210
Net Weight	Body		kg	14.0	14.0	14.0
Piping Connection	Liquid		mm (inch)	Ø6.35 (1/4)	Ø6.35 (1/4)	Ø6.35 (1/4)
	Gas		mm (inch)	Ø9.52 (3/8)	Ø9.52 (3/8)	Ø12.7 (1/2)
ACCESSORIES & OTHERS				CQ09 NAO	CQ12 NAO	CQ18 NAO
Commercial Single Split Compatible				-	-	-
Dual Vane Cassette Panel				-	-	-
Air Purification Kit (UVnano Filter Box)				-	-	-
Dry Contact				Y	Y	Y
Wireless or Wired Remote Controller				Y	Y	Y
ThinQ (Wi-Fi)				Y	Y	Y

※ This product contains fluorinated greenhouse gases. (R32/R410A)

※ For our policy of continuous product improvement, specification, design and features are subject to change without prior notice.

※ Y : Available or Applied / - : Not Available or Not Applied



MU2R15

OPERATION	COOLING														
	INDOOR UNIT OPERATING (CAPACITY INDEX, kBtu/h)						TOTAL CAPACITY						INPUT(W)		
	UNIT-A	UNIT-B	UNIT-C	UNIT-D	UNIT-E	TOTAL	MIN.		RATED		MAX.		MIN.	RATED	MAX.
2 UNIT	5	5	-	-	-	10	6,000	1.76	10,000	2.93	11,500	3.37	414	682	889
	5	7	-	-	-	12	7,200	2.11	12,000	3.52	13,800	4.04	486	833	1,106
	5	9	-	-	-	14	8,400	2.46	14,000	4.10	16,100	4.72	583	988	1,376
	7	7	-	-	-	14	8,400	2.46	14,000	4.10	16,100	4.72	583	988	1,376
	7	9	-	-	-	16	8,400	2.46	14,000	4.10	16,100	4.72	583	988	1,376
	5	12	-	-	-	17	8,400	2.46	14,000	4.10	16,100	4.72	583	988	1,376
	9	9	-	-	-	18	8,400	2.46	14,000	4.10	16,100	4.72	583	988	1,376
	7	12	-	-	-	19	8,400	2.46	14,000	4.10	16,100	4.72	583	988	1,376
	9	12	-	-	-	21	8,400	2.46	14,000	4.10	16,100	4.72	583	988	1,376
	5	12	-	-	-	17	8,400	2.46	14,000	4.10	16,100	4.72	583	988	1,376
	9	9	-	-	-	18	8,400	2.46	14,000	4.10	16,100	4.72	583	988	1,376
	7	12	-	-	-	19	8,400	2.46	14,000	4.10	16,100	4.72	583	988	1,376
9	12	-	-	-	21	8,400	2.46	14,000	4.10	16,100	4.72	583	988	1,376	

OPERATION	HEATING														
	INDOOR UNIT OPERATING (CAPACITY INDEX, kBtu/h)						TOTAL CAPACITY						INPUT(W)		
	UNIT-A	UNIT-B	UNIT-C	UNIT-D	UNIT-E	TOTAL	MIN.		RATED		MAX.		MIN.	RATED	MAX.
2 UNIT	5	5	-	-	-	10	6,600	1.93	11,000	3.22	12,100	3.55	408	706	854
	5	7	-	-	-	12	7,920	2.32	13,200	3.87	14,520	4.26	498	872	1,066
	5	9	-	-	-	14	9,600	2.81	16,000	4.69	18,400	5.39	613	1,068	1,433
	7	7	-	-	-	14	9,600	2.81	16,000	4.69	18,400	5.39	613	1,068	1,433
	7	9	-	-	-	16	9,600	2.81	16,000	4.69	18,400	5.39	613	1,068	1,433
	5	12	-	-	-	17	9,600	2.81	16,000	4.69	18,400	5.39	613	1,068	1,433
	9	9	-	-	-	18	9,600	2.81	16,000	4.69	18,400	5.39	613	1,068	1,433
	7	12	-	-	-	19	9,600	2.81	16,000	4.69	18,400	5.39	613	1,068	1,433
	9	12	-	-	-	21	9,600	2.81	16,000	4.69	18,400	5.39	613	1,068	1,433
	5	12	-	-	-	17	9,600	2.81	16,000	4.69	18,400	5.39	613	1,068	1,433
	9	9	-	-	-	18	9,600	2.81	16,000	4.69	18,400	5.39	613	1,068	1,433
	7	12	-	-	-	19	9,600	2.81	16,000	4.69	18,400	5.39	613	1,068	1,433
9	12	-	-	-	21	9,600	2.81	16,000	4.69	18,400	5.39	613	1,068	1,433	

Note

- Capacities are based on the following conditions :
 - Cooling : Indoor Ambient Temp. 27°CDB / 19°CWB, Outdoor Ambient Temp. 35°CDB / 24°CWB
 - Heating : Indoor Ambient Temp. 20°CDB / 15°CWB, Outdoor Ambient Temp. 7°CDB / 6°CWB
 - Interconnected piping is standard length and difference of Elevation (Outdoor - Indoor Unit) is 0 m.
- At least two indoor units should be connected. And minimum limit of combination ratio is 40% approximately for rated capacity of outdoor unit.
- Don't exceed the maximum connectable indoor units number, it can be found in Specifications or combination table of outdoor unit model.



MU2R17

OPERATION	COOLING														
	INDOOR UNIT OPERATING (CAPACITY INDEX, kBtu/h)						TOTAL CAPACITY						INPUT(W)		
	UNIT-A	UNIT-B	UNIT-C	UNIT-D	UNIT-E	TOTAL	MIN.		RATED		MAX.		MIN.	RATED	MAX.
2 UNIT	5	5	-	-	-	10	6,000	1.76	10,000	2.93	11,500	3.37	414	682	889
	5	7	-	-	-	12	7,200	2.11	12,000	3.52	13,800	4.04	486	833	1,058
	5	9	-	-	-	14	8,400	2.46	14,000	4.10	16,100	4.72	583	988	1,376
	7	7	-	-	-	14	8,400	2.46	14,000	4.10	16,100	4.72	583	988	1,376
	7	9	-	-	-	16	9,600	2.81	16,000	4.69	18,400	5.39	657	1,251	1,699
	5	12	-	-	-	17	9,600	2.81	16,000	4.69	18,400	5.39	657	1,251	1,699
	9	9	-	-	-	18	9,600	2.81	16,000	4.69	18,400	5.39	657	1,251	1,699
	7	12	-	-	-	19	9,600	2.81	16,000	4.69	18,400	5.39	657	1,251	1,699
	5	15	-	-	-	20	9,600	2.81	16,000	4.69	18,400	5.39	657	1,251	1,699
	9	12	-	-	-	21	9,600	2.81	16,000	4.69	18,400	5.39	657	1,251	1,699
	7	15	-	-	-	22	9,600	2.81	16,000	4.69	18,400	5.39	657	1,251	1,699
	9	15	-	-	-	24	9,600	2.81	16,000	4.69	18,400	5.39	657	1,251	1,699
12	12	-	-	-	24	9,600	2.81	16,000	4.69	18,400	5.39	657	1,251	1,699	
5	15	-	-	-	20	9,600	2.81	16,000	4.69	18,400	5.39	657	1,251	1,699	
9	12	-	-	-	21	9,600	2.81	16,000	4.69	18,400	5.39	657	1,251	1,699	
7	15	-	-	-	22	9,600	2.81	16,000	4.69	18,400	5.39	657	1,251	1,699	
9	15	-	-	-	24	9,600	2.81	16,000	4.69	18,400	5.39	657	1,251	1,699	
12	12	-	-	-	24	9,600	2.81	16,000	4.69	18,400	5.39	657	1,251	1,699	

OPERATION	HEATING														
	INDOOR UNIT OPERATING (CAPACITY INDEX, kBtu/h)						TOTAL CAPACITY						INPUT(W)		
	UNIT-A	UNIT-B	UNIT-C	UNIT-D	UNIT-E	TOTAL	MIN.		RATED		MAX.		MIN.	RATED	MAX.
2 UNIT	5	5	-	-	-	10	6,600	1.93	11,000	3.22	12,100	3.55	408	706	854
	5	7	-	-	-	12	7,920	2.32	13,200	3.87	14,520	4.26	498	872	1,066
	5	9	-	-	-	14	9,600	2.81	16,000	4.69	18,400	5.39	613	1,066	1,433
	7	7	-	-	-	14	9,600	2.81	16,000	4.69	18,400	5.39	613	1,066	1,433
	7	9	-	-	-	16	10,800	3.17	18,000	5.28	19,400	5.69	706	1,247	1,633
	5	12	-	-	-	17	10,800	3.17	18,000	5.28	19,400	5.69	706	1,247	1,633
	9	9	-	-	-	18	10,800	3.17	18,000	5.28	19,400	5.69	706	1,247	1,633
	7	12	-	-	-	19	10,800	3.17	18,000	5.28	19,400	5.69	706	1,247	1,633
	5	15	-	-	-	20	10,800	3.17	18,000	5.28	19,400	5.69	706	1,247	1,633
	9	12	-	-	-	21	10,800	3.17	18,000	5.28	19,400	5.69	706	1,247	1,633
	7	15	-	-	-	22	10,800	3.17	18,000	5.28	19,400	5.69	706	1,247	1,633
	9	15	-	-	-	24	10,800	3.17	18,000	5.28	19,400	5.69	706	1,247	1,633
12	12	-	-	-	24	10,800	3.17	18,000	5.28	19,400	5.69	706	1,247	1,633	
5	15	-	-	-	20	10,800	3.17	18,000	5.28	19,400	5.69	706	1,247	1,633	
9	12	-	-	-	21	10,800	3.17	18,000	5.28	19,400	5.69	706	1,247	1,633	
7	15	-	-	-	22	10,800	3.17	18,000	5.28	19,400	5.69	706	1,247	1,633	
9	15	-	-	-	24	10,800	3.17	18,000	5.28	19,400	5.69	706	1,247	1,633	
12	12	-	-	-	24	10,800	3.17	18,000	5.28	19,400	5.69	706	1,247	1,633	

Note

- Capacities are based on the following conditions :
 - Cooling : Indoor Ambient Temp. 27°CDB / 19°CWB, Outdoor Ambient Temp. 35°CDB / 24°CWB
 - Heating : Indoor Ambient Temp. 20°CDB / 15°CWB, Outdoor Ambient Temp. 7°CDB / 6°CWB
 - Interconnected piping is standard length and difference of Elevation (Outdoor - Indoor Unit) is 0 m.
- At least two indoor units should be connected. And minimum limit of combination ratio is 40% approximately for rated capacity of outdoor unit.
- Don't exceed the maximum connectable indoor units number, it can be found in Specifications or combination table of outdoor unit model.



MU3R19

OPERATION	COOLING														
	INDOOR UNIT OPERATING (CAPACITY INDEX, kBtu/h)						TOTAL CAPACITY						INPUT(W)		
	UNIT-A	UNIT-B	UNIT-C	UNIT-D	UNIT-E	TOTAL	MIN. Btu/h	kW	RATED Btu/h	kW	MAX. Btu/h	kW	MIN.	RATED	MAX.
2 UNIT	5	5	-	-	-	10	7,200	2.11	10,000	2.93	12,000	3.52	350	532	788
	5	7	-	-	-	12	7,200	2.11	12,000	3.52	14,400	4.22	350	669	991
	5	9	-	-	-	14	8,400	2.46	14,000	4.10	16,800	4.92	408	821	1,215
	7	7	-	-	-	14	8,400	2.46	14,000	4.10	16,800	4.92	408	821	1,215
	7	9	-	-	-	16	9,600	2.81	16,000	4.69	19,200	5.63	469	991	1,467
	5	12	-	-	-	17	10,200	2.99	17,000	4.98	20,400	5.98	532	1,083	1,603
	9	9	-	-	-	18	10,800	3.17	18,000	5.28	21,600	6.33	599	1,182	2,040
	7	12	-	-	-	19	10,800	3.17	18,000	5.28	21,600	6.33	599	1,182	2,040
	5	15	-	-	-	20	10,800	3.17	18,000	5.28	21,600	6.33	599	1,182	2,040
	9	12	-	-	-	21	10,800	3.17	18,000	5.28	21,600	6.33	599	1,182	2,040
	7	15	-	-	-	22	10,800	3.17	18,000	5.28	21,600	6.33	599	1,182	2,040
	5	18	-	-	-	23	10,800	3.17	18,000	5.28	21,600	6.33	599	1,182	2,040
	9	15	-	-	-	24	10,800	3.17	18,000	5.28	21,600	6.33	599	1,182	2,040
	12	12	-	-	-	24	10,800	3.17	18,000	5.28	21,600	6.33	599	1,182	2,040
	7	18	-	-	-	25	10,800	3.17	18,000	5.28	21,600	6.33	599	1,182	2,040
9	18	-	-	-	27	10,800	3.17	18,000	5.28	21,600	6.33	599	1,182	2,040	
12	15	-	-	-	27	10,800	3.17	18,000	5.28	21,600	6.33	599	1,182	2,040	
12	18	-	-	-	30	10,800	3.17	18,000	5.28	21,600	6.33	599	1,182	2,040	
15	15	-	-	-	30	10,800	3.17	18,000	5.28	21,600	6.33	599	1,182	2,040	
3 UNIT	5	5	5	-	-	15	9,000	2.64	15,000	4.40	18,000	5.28	422	837	1,239
	5	5	7	-	-	17	10,200	2.99	17,000	4.98	20,400	5.98	481	1,013	1,500
	5	5	9	-	-	19	10,800	3.17	18,000	5.27	21,600	6.33	544	1,111	1,918
	5	7	7	-	-	19	10,800	3.17	18,000	5.27	21,600	6.33	544	1,111	1,918
	5	7	9	-	-	21	10,800	3.17	18,000	5.27	21,600	6.33	544	1,111	1,918
	7	7	7	-	-	21	10,800	3.17	18,000	5.27	21,600	6.33	544	1,111	1,918
	5	5	12	-	-	22	10,800	3.17	18,000	5.27	21,600	6.33	544	1,111	1,918
	5	9	9	-	-	23	10,800	3.17	18,000	5.27	21,600	6.33	544	1,111	1,918
	7	7	9	-	-	23	10,800	3.17	18,000	5.27	21,600	6.33	544	1,111	1,918
	5	7	12	-	-	24	10,800	3.17	18,000	5.27	21,600	6.33	544	1,111	1,918
	5	5	15	-	-	25	10,800	3.17	18,000	5.27	21,600	6.33	544	1,111	1,918
	7	9	9	-	-	25	10,800	3.17	18,000	5.27	21,600	6.33	544	1,111	1,918
	5	9	12	-	-	26	10,800	3.17	18,000	5.27	21,600	6.33	544	1,111	1,918
	7	7	12	-	-	26	10,800	3.17	18,000	5.27	21,600	6.33	544	1,111	1,918
	5	7	15	-	-	27	10,800	3.17	18,000	5.27	21,600	6.33	544	1,111	1,918
9	9	9	-	-	27	10,800	3.17	18,000	5.27	21,600	6.33	544	1,111	1,918	
5	5	18	-	-	28	10,800	3.17	18,000	5.27	21,600	6.33	544	1,111	1,918	
7	9	12	-	-	28	10,800	3.17	18,000	5.27	21,600	6.33	544	1,111	1,918	
5	9	15	-	-	29	10,800	3.17	18,000	5.27	21,600	6.33	544	1,111	1,918	
5	12	12	-	-	29	10,800	3.17	18,000	5.27	21,600	6.33	544	1,111	1,918	
7	7	15	-	-	29	10,800	3.17	18,000	5.27	21,600	6.33	544	1,111	1,918	
5	7	18	-	-	30	10,800	3.17	18,000	5.27	21,600	6.33	544	1,111	1,918	
9	9	12	-	-	30	10,800	3.17	18,000	5.27	21,600	6.33	544	1,111	1,918	

Note

- Capacities are based on the following conditions :
 - Cooling : Indoor Ambient Temp. 27°CDB / 19°CWB, Outdoor Ambient Temp. 35°CDB / 24°CWB
 - Heating : Indoor Ambient Temp. 20°CDB / 15°CWB, Outdoor Ambient Temp. 7°CDB / 6°CWB
 - Interconnected piping is standard length and difference of Elevation (Outdoor - Indoor Unit) is 0 m.
- At least two indoor units should be connected. And minimum limit of combination ratio is 40% approximately for rated capacity of outdoor unit.
- Don't exceed the maximum connectable indoor units number, it can be found in Specifications or combination table of outdoor unit model.



MU3R19

OPERATION	HEATING														
	INDOOR UNIT OPERATING (CAPACITY INDEX, kBtu/h)						TOTAL CAPACITY						INPUT(W)		
	UNIT-A	UNIT-B	UNIT-C	UNIT-D	UNIT-E	TOTAL	MIN. Btu/h	kW	RATED Btu/h	kW	MAX. Btu/h	kW	MIN.	RATED	MAX.
2 UNIT	5	5	-	-	-	10	7,200	2.11	10,000	3.52	14,400	4.22	329	598	861
	5	7	-	-	-	12	8,640	2.53	14,400	4.22	17,280	5.06	430	904	1,301
	5	9	-	-	-	14	10,080	2.95	16,800	4.92	20,160	5.91	484	945	1,360
	7	7	-	-	-	14	10,080	2.95	16,800	4.92	20,160	5.91	484	945	1,360
	7	9	-	-	-	16	11,520	3.38	19,200	5.63	23,040	6.75	540	1,118	1,610
	5	12	-	-	-	17	12,240	3.59	20,400	5.98	24,480	7.17	598	1,319	1,899
	9	9	-	-	-	18	12,960	3.80	21,600	6.33	25,000	7.33	660	1,391	2,040
	7	12	-	-	-	19	12,960	3.80	21,600	6.33	25,000	7.33	660	1,391	2,040
	5	15	-	-	-	20	12,960	3.80	21,600	6.33	25,000	7.33	660	1,391	2,040
	9	12	-	-	-	21	12,960	3.80	21,600	6.33	25,000	7.33	660	1,391	2,040
	7	15	-	-	-	22	12,960	3.80	21,600	6.33	25,000	7.33	660	1,391	2,040
	5	18	-	-	-	23	12,960	3.80	21,600	6.33	25,000	7.33	660	1,391	2,040
	9	15	-	-	-	24	12,960	3.80	21,600	6.33	25,000	7.33	660	1,391	2,040
	12	12	-	-	-	24	12,960	3.80	21,600	6.33	25,000	7.33	660	1,391	2,040
	7	18	-	-	-	25	12,960	3.80	21,600	6.33	25,000	7.33	660	1,391	2,040
9	18	-	-	-	27	12,960	3.80	21,600	6.33	25,000	7.33	660	1,391	2,040	
12	15	-	-	-	27	12,960	3.80	21,600	6.33	25,000	7.33	660	1,391	2,040	
12	18	-	-	-	30	12,960	3.80	21,600	6.33	25,000	7.33	660	1,391	2,040	
15	15	-	-	-	30	12,960	3.80	21,600	6.33	25,000	7.33	660	1,391	2,040	
3 UNIT	5	5	5	-	-	15	10,800	3.17	18,000	5.28	21,600	6.33	497	946	1,363
	5	5	7	-	-	17	12,240	3.59	20,400	5.98	24,480	7.17	551	1,118	1,610
	5	5	9	-	-	19	12,960	3.80	21,600	6.33	25,000	7.33	725	1,266	1,823
	5	7	7	-	-	19	12,960	3.80	21,600	6.33	25,000	7.33	725	1,266	1,823
	5	7	9	-	-	21	12,960	3.80	21,600	6.33	25,000	7.33	725	1,266	1,823
	7	7	7	-	-	21	12,960	3.80	21,600	6.33	25,000	7.33	725	1,266	1,823
	5	5	12	-	-	22	12,960	3.80	21,600	6.33	25,000	7.33	725	1,266	1,823
	5	9	9	-	-	23	12,960	3.80	21,600	6.33	25,000	7.33	725	1,266	1,823
	7	7	9	-	-	23	12,960	3.80	21,600	6.33	25,000	7.33	725	1,266	1,823
	5	7	12	-	-	24	12,960	3.80	21,600	6.33	25,000	7.33	725	1,266	1,823
	5	5	15	-	-	25	12,960	3.80	21,600	6.33	25,000	7.33	725	1,266	1,823
	7	9	9	-	-	25	12,960	3.80	21,600	6.33	25,000	7.33	725	1,266	1,823
	5	9	12	-	-	26	12,960	3.80	21,600	6.33	25,000	7.33	725	1,266	1,823
	7	7	12	-	-	26	12,960	3.80	21,600	6.33	25,000	7.33	725	1,266	1,823
	5	7	15	-	-	27	12,960	3.80	21,600	6.33	25,000	7.33	725	1,266	1,823
9	9	9	-	-	27	12,960	3.80	21,600	6.33	25,000	7.33	725	1,266	1,823	
5	5	18	-	-	28	12,960	3.80	21,600	6.33	25,000	7.33	725	1,266	1,823	
7	9	12	-	-	28	12,960	3.80	21,600	6.33	25,000	7.33	725	1,266	1,823	
5	9	15	-	-	29	12,960	3.80	21,600	6.33	25,000	7.33	725	1,266	1,823	
5	12	12	-	-	29	12,960	3.80	21,600	6.33	25,000	7.33	725	1,266	1,823	
7	7	15	-	-	29	12,960	3.80	21,600	6.33	25,000	7.33	725	1,266	1,823	
5	7	18	-	-	30	12,960	3.80	21,600	6.33	25,000	7.33	725	1,266	1,823	
9	9	12	-	-	30	12,960	3.80	21,600	6.33	25,000	7.33	725	1,266	1,823	

Note

- Capacities are based on the following conditions :
 - Cooling : Indoor Ambient Temp. 27°CDB / 19°CWB, Outdoor Ambient Temp. 35°CDB / 24°CWB
 - Heating : Indoor Ambient Temp. 20°CDB / 15°CWB, Outdoor Ambient Temp. 7°CDB / 6°CWB
 - Interconnected piping is standard length and difference of Elevation (Outdoor - Indoor Unit) is 0 m.
- At least two indoor units should be connected. And minimum limit of combination ratio is 40% approximately for rated capacity of outdoor unit.
- Don't exceed the maximum connectable indoor units number, it can be found in Specifications or combination table of outdoor unit model.



MU3R21

OPERATION	COOLING														
	INDOOR UNIT OPERATING (CAPACITY INDEX, kBtu/h)						TOTAL CAPACITY						INPUT(W)		
	UNIT-A	UNIT-B	UNIT-C	UNIT-D	UNIT-E	TOTAL	MIN. Btu/h	MIN. kW	RATED Btu/h	RATED kW	MAX. Btu/h	MAX. kW	MIN.	RATED	MAX.
2 UNIT	5	5	-	-	-	10	7,200	2.11	10,000	2.93	12,000	3.52	350	532	788
	5	7	-	-	-	12	7,200	2.11	12,000	3.52	14,400	4.22	350	669	991
	5	9	-	-	-	14	8,400	2.46	14,000	4.10	16,800	4.92	408	821	1,215
	7	7	-	-	-	14	8,400	2.46	14,000	4.10	16,800	4.92	408	821	1,215
	7	9	-	-	-	16	9,600	2.81	16,000	4.69	19,200	5.63	469	991	1,467
	5	12	-	-	-	17	10,200	2.99	17,000	4.98	20,400	5.98	532	1,083	1,603
	9	9	-	-	-	18	10,800	3.17	18,000	5.28	21,600	6.33	599	1,182	1,890
	7	12	-	-	-	19	11,400	3.34	19,000	5.57	22,800	6.68	669	1,290	2,064
	5	15	-	-	-	20	12,000	3.52	20,000	5.86	24,000	7.03	669	1,406	2,249
	9	12	-	-	-	21	12,600	3.69	21,000	6.15	24,150	7.08	743	1,530	2,450
	7	15	-	-	-	22	12,600	3.69	21,000	6.15	24,150	7.08	743	1,530	2,450
	5	18	-	-	-	23	12,600	3.69	21,000	6.15	24,150	7.08	743	1,530	2,450
	9	15	-	-	-	24	12,600	3.69	21,000	6.15	25,000	7.33	743	1,530	2,450
	12	12	-	-	-	24	12,600	3.69	21,000	6.15	25,000	7.33	743	1,530	2,450
	7	18	-	-	-	25	12,600	3.69	21,000	6.15	25,000	7.33	743	1,530	2,450
9	18	-	-	-	27	12,600	3.69	21,000	6.15	25,000	7.33	743	1,530	2,450	
12	15	-	-	-	27	12,600	3.69	21,000	6.15	25,000	7.33	743	1,530	2,450	
12	18	-	-	-	30	12,600	3.69	21,000	6.15	25,000	7.33	743	1,530	2,450	
15	15	-	-	-	30	12,600	3.69	21,000	6.15	25,000	7.33	743	1,530	2,450	
15	18	-	-	-	33	12,600	3.69	21,000	6.15	25,000	7.33	743	1,530	2,450	
3 UNIT	5	5	5	-	-	15	9,000	2.64	15,000	4.40	18,000	5.28	422	837	1,239
	5	5	7	-	-	17	10,200	2.99	17,000	4.98	20,400	5.98	481	1,013	1,500
	5	5	9	-	-	19	11,400	3.34	19,000	5.57	22,800	6.68	544	1,212	1,940
	5	7	7	-	-	19	11,400	3.34	19,000	5.57	22,800	6.68	544	1,212	1,940
	5	7	9	-	-	21	12,600	3.69	21,000	6.15	25,000	7.33	682	1,438	2,301
	7	7	7	-	-	21	12,600	3.69	21,000	6.15	25,000	7.33	682	1,438	2,301
	5	5	12	-	-	22	12,600	3.69	21,000	6.15	25,000	7.33	682	1,438	2,301
	5	9	9	-	-	23	12,600	3.69	21,000	6.15	25,000	7.33	682	1,438	2,301
	7	7	9	-	-	23	12,600	3.69	21,000	6.15	25,000	7.33	682	1,438	2,301
	5	7	12	-	-	24	12,600	3.69	21,000	6.15	25,000	7.33	682	1,438	2,301
	5	5	15	-	-	25	12,600	3.69	21,000	6.15	25,000	7.33	682	1,438	2,301
	7	9	9	-	-	25	12,600	3.69	21,000	6.15	25,000	7.33	682	1,438	2,301
	5	9	12	-	-	26	12,600	3.69	21,000	6.15	25,000	7.33	682	1,438	2,301
	7	7	12	-	-	26	12,600	3.69	21,000	6.15	25,000	7.33	682	1,438	2,301
	5	7	15	-	-	27	12,600	3.69	21,000	6.15	25,000	7.33	682	1,438	2,301
	9	9	9	-	-	27	12,600	3.69	21,000	6.15	25,000	7.33	682	1,438	2,301
	5	5	18	-	-	28	12,600	3.69	21,000	6.15	25,000	7.33	682	1,438	2,301
	7	9	12	-	-	28	12,600	3.69	21,000	6.15	25,000	7.33	682	1,438	2,301
	5	9	15	-	-	29	12,600	3.69	21,000	6.15	25,000	7.33	682	1,438	2,301
	5	12	12	-	-	29	12,600	3.69	21,000	6.15	25,000	7.33	682	1,438	2,301
	7	7	15	-	-	29	12,600	3.69	21,000	6.15	25,000	7.33	682	1,438	2,301
	5	7	18	-	-	30	12,600	3.69	21,000	6.15	25,000	7.33	682	1,438	2,301
	9	9	12	-	-	30	12,600	3.69	21,000	6.15	25,000	7.33	682	1,438	2,301
	7	9	15	-	-	31	12,600	3.69	21,000	6.15	25,000	7.33	682	1,438	2,301
	7	12	12	-	-	31	12,600	3.69	21,000	6.15	25,000	7.33	682	1,438	2,301
	5	12	15	-	-	32	12,600	3.69	21,000	6.15	25,000	7.33	682	1,438	2,301
	5	9	18	-	-	32	12,600	3.69	21,000	6.15	25,000	7.33	682	1,438	2,301
5	7	18	-	-	30	12,600	3.69	21,000	6.15	25,000	7.33	682	1,438	2,301	
9	9	12	-	-	30	12,600	3.69	21,000	6.15	25,000	7.33	682	1,438	2,301	
7	9	15	-	-	31	12,600	3.69	21,000	6.15	25,000	7.33	682	1,438	2,301	
7	12	12	-	-	31	12,600	3.69	21,000	6.15	25,000	7.33	682	1,438	2,301	
5	12	15	-	-	32	12,600	3.69	21,000	6.15	25,000	7.33	682	1,438	2,301	
5	9	18	-	-	32	12,600	3.69	21,000	6.15	25,000	7.33	682	1,438	2,301	
7	7	18	-	-	32	12,600	3.69	21,000	6.15	25,000	7.33	682	1,438	2,301	
9	9	15	-	-	33	12,600	3.69	21,000	6.15	25,000	7.33	682	1,438	2,301	
9	12	12	-	-	33	12,600	3.69	21,000	6.15	25,000	7.33	682	1,438	2,301	

Note

- Capacities are based on the following conditions:
 - Cooling : Indoor Ambient Temp. 27°CDB / 19°CWB, Outdoor Ambient Temp. 35°CDB / 24°CWB
 - Heating : Indoor Ambient Temp. 20°CDB / 15°CWB, Outdoor Ambient Temp. 7°CDB / 6°CWB
 - Interconnected piping is standard length and difference of Elevation (Outdoor - Indoor Unit) is 0 m.
- At least two indoor units should be connected. And minimum limit of combination ratio is 40% approximately for rated capacity of outdoor unit.
- Don't exceed the maximum connectable indoor units number, it can be found in Specifications or combination table of outdoor unit model.



MU3R21

OPERATION	HEATING														
	INDOOR UNIT OPERATING (CAPACITY INDEX, kBtu/h)						TOTAL CAPACITY						INPUT(W)		
	UNIT-A	UNIT-B	UNIT-C	UNIT-D	UNIT-E	TOTAL	MIN. Btu/h	MIN. kW	RATED Btu/h	RATED kW	MAX. Btu/h	MAX. kW	MIN.	RATED	MAX.
2 UNIT	5	5	-	-	-	10	7,200	2.11	12,000	3.52	14,400	4.22	329	598	861
	5	7	-	-	-	12	8,640	2.53	14,400	4.22	17,280	5.06	430	904	1,301
	5	9	-	-	-	14	10,080	2.95	16,800	4.92	20,160	5.91	484	945	1,360
	7	7	-	-	-	14	10,080	2.95	16,800	4.92	20,160	5.91	484	945	1,360
	7	9	-	-	-	16	11,520	3.38	19,200	5.63	23,040	6.75	540	1,118	1,610
	5	12	-	-	-	17	12,240	3.59	20,400	5.98	24,480	7.17	598	1,319	1,899
	9	9	-	-	-	18	12,960	3.80	21,600	6.33	25,920	7.60	660	1,430	2,059
	7	12	-	-	-	19	13,680	4.01	22,800	6.68	26,600	7.80	725	1,543	2,221
	5	15	-	-	-	20	14,400	4.22	24,000	7.03	26,600	7.80	764	1,662	2,380
	9	12	-	-	-	21	14,400	4.22	24,000	7.03	26,600	7.80	764	1,662	2,380
	7	15	-	-	-	22	14,400	4.22	24,000	7.03	26,600	7.80	764	1,662	2,380
	5	18	-	-	-	23	14,400	4.22	24,000	7.03	26,600	7.80	764	1,662	2,380
	9	15	-	-	-	24	14,400	4.22	24,000	7.03	26,600	7.80	764	1,662	2,380
	12	12	-	-	-	24	14,400	4.22	24,000	7.03	26,600	7.80	764	1,662	2,380
	7	18	-	-	-	25	14,400	4.22	24,000	7.03	26,600	7.80	764	1,662	2,380
9	18	-	-	-	27	14,400	4.22	24,000	7.03	26,600	7.80	764	1,662	2,380	
12	15	-	-	-	27	14,400	4.22	24,000	7.03	26,600	7.80	764	1,662	2,380	
12	18	-	-	-	30	14,400	4.22	24,000	7.03	26,600	7.80	764	1,662	2,380	
15	15	-	-	-	30	14,400	4.22	24,000	7.03	26,600	7.80	764	1,662	2,380	
15	18	-	-	-	33	14,400	4.22	24,000	7.03	26,600	7.80	764	1,662	2,380	
3 UNIT	5	5	5	-	-	15	10,800	3.17	18,000	5.28	21,600	6.33	497	946	1,363
	5	5	7	-	-	17	12,240	3.59	20,400	5.98	24,480	7.17	551	1,118	1,610
	5	5	9	-	-	19	13,680	4.01	22,800	6.68	26,600	7.80	725	1,419	2,044
	5	7	7	-	-	19	13,680	4.01	22,800	6.68	26,600	7.80	725	1,419	2,044
	5	7	9	-	-	21	14,400	4.22	24,000	7.03	26,600	7.80	730	1,529	2,202
	7	7	7	-	-	21	14,400	4.22	24,000	7.03	26,600	7.80	730	1,529	2,202
	5	5	12	-	-	22	14,400	4.22	24,000	7.03	26,600	7.80	730	1,529	2,202
	5	9	9	-	-	23	14,400	4.22	24,000	7.03	26,600	7.80	730	1,529	2,202
	7	7	9	-	-	23	14,400	4.22	24,000	7.03	26,600	7.80	730	1,529	2,202
	5	7	12	-	-	24	14,400	4.22	24,000	7.03	26,600	7.80	730	1,529	2,202
	5	5	15	-	-	25	14,400	4.22	24,000	7.03	26,600	7.80	730	1,529	2,202
	7	9	9	-	-	25	14,400	4.22	24,000	7.03	26,600	7.80	730	1,529	2,202
	5	9	12	-	-	26	1								



MU4R25

OPERATION	COOLING														
	INDOOR UNIT OPERATING (CAPACITY INDEX, kBtu/h)						TOTAL CAPACITY						INPUT(W)		
	UNIT-A	UNIT-B	UNIT-C	UNIT-D	UNIT-E	TOTAL	MIN. Btu/h	kW	RATED Btu/h	kW	MAX. Btu/h	kW	MIN.	RATED	MAX.
2 UNIT	5	5	-	-	-	10	7,200	2.11	10,000	2.93	12,000	3.52	350	532	788
	5	7	-	-	-	12	7,200	2.11	12,000	3.52	14,400	4.22	350	669	991
	5	9	-	-	-	14	8,400	2.46	14,000	4.10	16,800	4.92	408	821	1,215
	7	7	-	-	-	14	8,400	2.46	14,000	4.10	16,800	4.92	408	821	1,215
	7	9	-	-	-	16	9,600	2.81	16,000	4.69	19,200	5.63	469	991	1,467
	5	12	-	-	-	17	10,200	2.99	17,000	4.98	20,400	5.98	532	1,083	1,603
	9	9	-	-	-	18	10,800	3.17	18,000	5.28	21,600	6.33	599	1,182	1,749
	7	12	-	-	-	19	11,400	3.34	19,000	5.57	22,800	6.68	669	1,290	1,909
	5	15	-	-	-	20	12,000	3.52	20,000	5.86	24,000	7.03	669	1,406	2,080
	9	12	-	-	-	21	12,600	3.69	21,000	6.15	24,150	7.08	743	1,530	2,264
	7	15	-	-	-	22	13,200	3.87	22,000	6.45	25,300	7.42	743	1,638	2,425
	5	18	-	-	-	23	13,800	4.04	23,000	6.74	26,450	7.75	821	1,752	2,593
	9	15	-	-	-	24	14,400	4.22	24,000	7.03	27,000	7.91	904	1,871	2,770
	12	12	-	-	-	24	14,400	4.22	24,000	7.03	27,000	7.91	904	1,871	2,770
	7	18	-	-	-	25	14,400	4.22	24,000	7.03	27,000	7.91	904	1,871	2,770
	9	18	-	-	-	27	14,400	4.22	24,000	7.03	27,000	7.91	904	1,871	2,770
	12	15	-	-	-	27	14,400	4.22	24,000	7.03	27,000	7.91	904	1,871	2,770
	5	24	-	-	-	29	14,400	4.22	24,000	7.03	27,000	7.91	904	1,871	2,770
	12	18	-	-	-	30	14,400	4.22	24,000	7.03	27,000	7.91	904	1,871	2,770
	15	15	-	-	-	30	14,400	4.22	24,000	7.03	27,000	7.91	904	1,871	2,770
7	24	-	-	-	31	14,400	4.22	24,000	7.03	27,000	7.91	904	1,871	2,770	
9	24	-	-	-	33	14,400	4.22	24,000	7.03	27,000	7.91	904	1,871	2,770	
15	18	-	-	-	33	14,400	4.22	24,000	7.03	27,000	7.91	904	1,871	2,770	
12	24	-	-	-	36	14,400	4.22	24,000	7.03	27,000	7.91	904	1,871	2,770	
18	18	-	-	-	36	14,400	4.22	24,000	7.03	27,000	7.91	904	1,871	2,770	
15	24	-	-	-	39	14,400	4.22	24,000	7.03	27,000	7.91	904	1,871	2,770	
3 UNIT	5	5	5	-	-	15	9,000	2.64	15,000	4.40	18,000	5.28	422	837	1,239
	5	5	7	-	-	17	10,200	2.99	17,000	4.98	20,400	5.98	481	1,013	1,500
	5	5	9	-	-	19	11,400	3.34	19,000	5.57	22,800	6.68	544	1,212	1,794
	5	7	7	-	-	19	11,400	3.34	19,000	5.57	22,800	6.68	544	1,212	1,794
	5	7	9	-	-	21	12,600	3.69	21,000	6.15	25,200	7.39	682	1,438	2,128
	7	7	7	-	-	21	12,600	3.69	21,000	6.15	25,200	7.39	682	1,438	2,128
	5	5	12	-	-	22	13,200	3.87	22,000	6.45	26,400	7.74	731	1,540	2,279
	5	9	9	-	-	23	13,800	4.04	23,000	6.74	27,600	8.09	731	1,647	2,437
	7	7	9	-	-	23	13,800	4.04	23,000	6.74	27,600	8.09	731	1,647	2,437
	5	7	12	-	-	24	14,400	4.22	24,000	7.03	29,000	8.50	837	1,758	2,603
	5	5	15	-	-	25	14,400	4.22	24,000	7.03	29,000	8.50	837	1,758	2,603
	7	9	9	-	-	25	14,400	4.22	24,000	7.03	29,000	8.50	837	1,758	2,603
	5	9	12	-	-	26	14,400	4.22	24,000	7.03	29,000	8.50	837	1,758	2,603
	7	7	12	-	-	26	14,400	4.22	24,000	7.03	29,000	8.50	837	1,758	2,603
	5	7	15	-	-	27	14,400	4.22	24,000	7.03	29,000	8.50	837	1,758	2,603
	9	9	9	-	-	27	14,400	4.22	24,000	7.03	29,000	8.50	837	1,758	2,603
	7	9	12	-	-	28	14,400	4.22	24,000	7.03	29,000	8.50	837	1,758	2,603
	5	5	18	-	-	28	14,400	4.22	24,000	7.03	29,000	8.50	837	1,758	2,603
	5	9	15	-	-	29	14,400	4.22	24,000	7.03	29,000	8.50	837	1,758	2,603
	5	12	12	-	-	29	14,400	4.22	24,000	7.03	29,000	8.50	837	1,758	2,603
	7	7	15	-	-	29	14,400	4.22	24,000	7.03	29,000	8.50	837	1,758	2,603
	7	7	15	-	-	29	14,400	4.22	24,000	7.03	29,000	8.50	837	1,758	2,603
	5	7	18	-	-	30	14,400	4.22	24,000	7.03	29,000	8.50	837	1,758	2,603
	9	9	12	-	-	30	14,400	4.22	24,000	7.03	29,000	8.50	837	1,758	2,603
	7	9	15	-	-	31	14,400	4.22	24,000	7.03	29,000	8.50	837	1,758	2,603
	7	12	12	-	-	31	14,400	4.22	24,000	7.03	29,000	8.50	837	1,758	2,603
	5	12	15	-	-	32	14,400	4.22	24,000	7.03	29,000	8.50	837	1,758	2,603
	5	9	18	-	-	32	14,400	4.22	24,000	7.03	29,000	8.50	837	1,758	2,603
	7	7	18	-	-	32	14,400	4.22	24,000	7.03	29,000	8.50	837	1,758	2,603
	9	9	15	-	-	33	14,400	4.22	24,000	7.03	29,000	8.50	837	1,758	2,603
	9	12	12	-	-	33	14,400	4.22	24,000	7.03	29,000	8.50	837	1,758	2,603
	5	5	24	-	-	34	14,400	4.22	24,000	7.03	29,000	8.50	837	1,758	2,603
	7	9	18	-	-	34	14,400	4.22	24,000	7.03	29,000	8.50	837	1,758	2,603
	7	12	15	-	-	34	14,400	4.22	24,000	7.03	29,000	8.50	837	1,758	2,603
	5	12	18	-	-	35	14,400	4.22	24,000	7.03	29,000	8.50	837	1,758	2,603
	5	15	15	-	-	35	14,400	4.22	24,000	7.03	29,000	8.50	837	1,758	2,603
	5	7	24	-	-	36	14,400	4.22	24,000	7.03	29,000	8.50	837	1,758	2,603
	9	12	15	-	-	36	14,400	4.22	24,000	7.03	29,000	8.50	837	1,758	2,603
	12	12	12	-	-	36	14,400	4.22	24,000	7.03	29,000	8.50	837	1,758	2,603
	9	9	18	-	-	36	14,400	4.22	24,000	7.03	29,000	8.50	837	1,758	2,603
7	12	18	-	-	37	14,400	4.22	24,000	7.03	29,000	8.50	837	1,758	2,603	
7	15	15	-	-	37	14,400	4.22	24,000	7.03	29,000	8.50	837	1,758	2,603	
5	9	24	-	-	38	14,400	4.22	24,000	7.03	29,000	8.50	837	1,758	2,603	
5	15	18	-	-	38	14,400	4.22	24,000	7.03	29,000	8.50	837	1,758	2,603	
7	7	24	-	-	38	14,400	4.22	24,000	7.03	29,000	8.50	837	1,758	2,603	
9	12	18	-	-	39	14,400	4.22	24,000	7.03	29,000	8.50	837	1,758	2,603	
9	15	15	-	-	39	14,400	4.22	24,000	7.03	29,000	8.50	837	1,758	2,603	
12	12	15	-	-	39	14,400	4.22	24,000	7.03	29,000	8.50	837	1,758	2,603	

Note

- Capacities are based on the following conditions :
 - Cooling : Indoor Ambient Temp. 27°CDB / 19°CWB, Outdoor Ambient Temp. 35°CDB / 24°CWB
 - Heating : Indoor Ambient Temp. 20°CDB / 15°CWB, Outdoor Ambient Temp. 7°CDB / 6°CWB
 - Interconnected piping is standard length and difference of Elevation (Outdoor - Indoor Unit) is 0 m.
- At least two indoor units should be connected. And minimum limit of combination ratio is 40% approximately for rated capacity of outdoor unit.
- Don't exceed the maximum connectable indoor units number, it can be found in Specifications or combination table of outdoor unit model.



MU4R25

OPERATION	COOLING														
	INDOOR UNIT OPERATING (CAPACITY INDEX, kBtu/h)						TOTAL CAPACITY						INPUT(W)		
	UNIT-A	UNIT-B	UNIT-C	UNIT-D	UNIT-E	TOTAL	MIN. Btu/h	kW	RATED Btu/h	kW	MAX. Btu/h	kW	MIN.	RATED	MAX.
2 UNIT	5	5	5	5	-	20	12,000	3.52	20,000	5.86	24,000	7.03	592	1,265	1,872
	5	5	5	7	-	22	13,200	3.87	22,000	6.45	29,000	8.50	659	1,495	2,212
	5	5	5	9	-	24	14,400	4.22	24,000	7.03	29,000	8.50	731	1,758	2,603
	5	5	7	7	-	24	14,400	4.22	24,000	7.03	29,000	8.50	731	1,758	2,603
	5	5	7	9	-	26	14,400	4.22	24,000	7.03	29,000	8.50	731	1,758	2,603
	5	7	7	7	-	26	14,400	4.22	24,000	7.03	29,000	8.50	731	1,758	2,603
	5	5	5	12	-	27	14,400	4.22	24,000	7.03	29,000	8.50	731	1,758	2,603
	5	5	9	9	-	28	14,400	4.22	24,000	7.03	29,000	8.50	731	1,758	2,603
	5	7	7	9	-	28	14,400	4.22	24,000	7.03	29,000	8.50	731	1,758	2,603
	7	7	7	7	-	28	14,400	4.22	24,000	7.03	29,000	8.50	731	1,758	2,603
	5	5	7	12	-	29	14,400	4.22	24,000	7.03	29,000	8.50	731	1,758	2,603
	5	5	5	15	-	30	14,400	4.22	24,000	7.03	29,000	8.50	731	1,758	2,603
	5	7	9	9	-	30	14,400	4.22	24,000	7.03	29,000	8.50	731	1,758	2,603
	7	7	7	9	-	30	14,400	4.22	24,000	7.03	29,000	8.50	731	1,758	2,603
	5	5	9	12	-	31									



MU4R25

OPERATION	HEATING															
	INDOOR UNIT OPERATING (CAPACITY INDEX, kBtu/h)						TOTAL CAPACITY						INPUT(W)			
	UNIT-A	UNIT-B	UNIT-C	UNIT-D	UNIT-E	TOTAL	MIN. Btu/h	kW	RATED Btu/h	kW	MAX. Btu/h	kW	MIN.	RATED	MAX.	
2 UNIT	5	5	-	-	-	10	7,200	2.11	12,000	3.52	14,400	4.22	329	598	861	
	5	7	-	-	-	12	8,640	2.53	14,400	4.22	17,280	5.06	430	904	1,301	
	5	9	-	-	-	14	10,080	2.95	16,800	4.92	20,160	5.91	484	945	1,360	
	7	7	-	-	-	14	10,080	2.95	16,800	4.92	20,160	5.91	484	945	1,360	
	7	9	-	-	-	16	11,520	3.38	19,200	5.63	23,040	6.75	540	1,118	1,610	
	5	12	-	-	-	17	12,240	3.59	20,400	5.98	24,480	7.17	598	1,319	1,899	
	9	9	-	-	-	18	12,960	3.80	21,600	6.33	25,920	7.60	660	1,430	2,059	
	7	12	-	-	-	19	13,680	4.01	22,800	6.68	27,360	8.02	725	1,543	2,221	
	5	15	-	-	-	20	14,400	4.22	24,000	7.03	28,800	8.44	764	1,662	2,393	
	9	12	-	-	-	21	15,120	4.43	25,200	7.39	29,000	8.50	793	1,749	2,518	
	7	15	-	-	-	22	15,840	4.64	26,400	7.74	29,000	8.50	867	1,836	2,644	
	5	18	-	-	-	23	16,560	4.85	27,600	8.09	29,000	8.50	945	1,977	2,850	
	9	15	-	-	-	24	16,560	4.85	27,600	8.09	29,000	8.50	945	1,977	2,850	
	12	12	-	-	-	24	16,560	4.85	27,600	8.09	29,000	8.50	945	1,977	2,850	
	7	18	-	-	-	25	16,560	4.85	27,600	8.09	29,000	8.50	945	1,977	2,850	
	9	18	-	-	-	27	16,560	4.85	27,600	8.09	29,000	8.50	945	1,977	2,850	
	12	15	-	-	-	27	16,560	4.85	27,600	8.09	29,000	8.50	945	1,977	2,850	
	5	24	-	-	-	29	16,560	4.85	27,600	8.09	29,000	8.50	945	1,977	2,850	
	12	18	-	-	-	30	16,560	4.85	27,600	8.09	29,000	8.50	945	1,977	2,850	
	15	15	-	-	-	30	16,560	4.85	27,600	8.09	29,000	8.50	945	1,977	2,850	
	7	24	-	-	-	31	16,560	4.85	27,600	8.09	29,000	8.50	945	1,977	2,850	
	9	24	-	-	-	33	16,560	4.85	27,600	8.09	29,000	8.50	945	1,977	2,850	
	15	18	-	-	-	33	16,560	4.85	27,600	8.09	29,000	8.50	945	1,977	2,850	
	12	24	-	-	-	36	16,560	4.85	27,600	8.09	29,000	8.50	945	1,977	2,850	
	18	18	-	-	-	36	16,560	4.85	27,600	8.09	29,000	8.50	945	1,977	2,850	
	15	24	-	-	-	39	16,560	4.85	27,600	8.09	29,000	8.50	945	1,977	2,850	
	3 UNIT	5	5	5	-	-	15	10,800	3.17	18,000	5.28	21,600	6.33	497	946	1,363
		5	5	7	-	-	17	12,240	3.59	20,400	5.98	24,480	7.17	551	1,118	1,610
		5	5	9	-	-	19	13,680	4.01	22,800	6.68	27,360	8.02	725	1,419	2,044
		5	7	7	-	-	19	13,680	4.01	22,800	6.68	27,360	8.02	725	1,419	2,044
5		7	9	-	-	21	15,120	4.43	25,200	7.39	30,240	8.86	730	1,610	2,319	
7		7	7	-	-	21	15,120	4.43	25,200	7.39	30,240	8.86	730	1,610	2,319	
5		5	12	-	-	22	15,840	4.64	26,400	7.74	31,000	9.09	798	1,697	2,444	
5		9	9	-	-	23	16,560	4.85	27,600	8.09	31,000	9.09	870	1,838	2,647	
7		7	9	-	-	23	16,560	4.85	27,600	8.09	31,000	9.09	870	1,838	2,647	
5		7	12	-	-	24	16,560	4.85	27,600	8.09	31,000	9.09	870	1,838	2,647	
5		5	15	-	-	25	16,560	4.85	27,600	8.09	31,000	9.09	870	1,838	2,647	
7		9	9	-	-	25	16,560	4.85	27,600	8.09	31,000	9.09	870	1,838	2,647	
5		9	12	-	-	26	16,560	4.85	27,600	8.09	31,000	9.09	870	1,838	2,647	
7		7	12	-	-	26	16,560	4.85	27,600	8.09	31,000	9.09	870	1,838	2,647	
5		7	15	-	-	27	16,560	4.85	27,600	8.09	31,000	9.09	870	1,838	2,647	
9		9	9	-	-	27	16,560	4.85	27,600	8.09	31,000	9.09	870	1,838	2,647	
7		9	12	-	-	28	16,560	4.85	27,600	8.09	31,000	9.09	870	1,838	2,647	
5		5	18	-	-	28	16,560	4.85	27,600	8.09	31,000	9.09	870	1,838	2,647	
5		9	15	-	-	29	16,560	4.85	27,600	8.09	31,000	9.09	870	1,838	2,647	
5		12	12	-	-	29	16,560	4.85	27,600	8.09	31,000	9.09	870	1,838	2,647	
7		7	15	-	-	29	16,560	4.85	27,600	8.09	31,000	9.09	870	1,838	2,647	
5		7	18	-	-	30	16,560	4.85	27,600	8.09	31,000	9.09	870	1,838	2,647	
9		9	12	-	-	30	16,560	4.85	27,600	8.09	31,000	9.09	870	1,838	2,647	
7		9	15	-	-	31	16,560	4.85	27,600	8.09	31,000	9.09	870	1,838	2,647	
7		12	12	-	-	31	16,560	4.85	27,600	8.09	31,000	9.09	870	1,838	2,647	
5		12	15	-	-	32	16,560	4.85	27,600	8.09	31,000	9.09	870	1,838	2,647	
5		9	18	-	-	32	16,560	4.85	27,600	8.09	31,000	9.09	870	1,838	2,647	
7		7	18	-	-	32	16,560	4.85	27,600	8.09	31,000	9.09	870	1,838	2,647	
9		9	15	-	-	33	16,560	4.85	27,600	8.09	31,000	9.09	870	1,838	2,647	
9		12	12	-	-	33	16,560	4.85	27,600	8.09	31,000	9.09	870	1,838	2,647	
5	5	24	-	-	34	16,560	4.85	27,600	8.09	31,000	9.09	870	1,838	2,647		
7	9	18	-	-	34	16,560	4.85	27,600	8.09	31,000	9.09	870	1,838	2,647		
7	12	15	-	-	34	16,560	4.85	27,600	8.09	31,000	9.09	870	1,838	2,647		
5	12	18	-	-	35	16,560	4.85	27,600	8.09	31,000	9.09	870	1,838	2,647		
5	15	15	-	-	35	16,560	4.85	27,600	8.09	31,000	9.09	870	1,838	2,647		
5	7	24	-	-	36	16,560	4.85	27,600	8.09	31,000	9.09	870	1,838	2,647		
9	12	15	-	-	36	16,560	4.85	27,600	8.09	31,000	9.09	870	1,838	2,647		
12	12	12	-	-	36	16,560	4.85	27,600	8.09	31,000	9.09	870	1,838	2,647		
9	9	18	-	-	36	16,560	4.85	27,600	8.09	31,000	9.09	870	1,838	2,647		
7	12	18	-	-	37	16,560	4.85	27,600	8.09	31,000	9.09	870	1,838	2,647		
7	15	15	-	-	37	16,560	4.85	27,600	8.09	31,000	9.09	870	1,838	2,647		
5	9	24	-	-	38	16,560	4.85	27,600	8.09	31,000	9.09	870	1,838	2,647		
5	15	18	-	-	38	16,560	4.85	27,600	8.09	31,000	9.09	870	1,838	2,647		
7	7	24	-	-	38	16,560	4.85	27,600	8.09	31,000	9.09	870	1,838	2,647		
9	12	18	-	-	39	16,560	4.85	27,600	8.09	31,000	9.09	870	1,838	2,647		
9	15	15	-	-	39	16,560	4.85	27,600	8.09	31,000	9.09	870	1,838	2,647		
12	12	15	-	-	39	16,560	4.85	27,600	8.09	31,000	9.09	870	1,838	2,647		

Note

- Capacities are based on the following conditions :
 - Cooling : Indoor Ambient Temp. 27°CDB / 19°CWB, Outdoor Ambient Temp. 35°CDB / 24°CWB
 - Heating : Indoor Ambient Temp. 20°CDB / 15°CWB, Outdoor Ambient Temp. 7°CDB / 6°CWB
 - Interconnected piping is standard length and difference of Elevation (Outdoor - Indoor Unit) is 0 m.
- At least two indoor units should be connected. And minimum limit of combination ratio is 40% approximately for rated capacity of outdoor unit.
- Don't exceed the maximum connectable indoor units number, it can be found in Specifications or combination table of outdoor unit model.



MU4R25

OPERATION	HEATING														
	INDOOR UNIT OPERATING (CAPACITY INDEX, kBtu/h)						TOTAL CAPACITY						INPUT(W)		
	UNIT-A	UNIT-B	UNIT-C	UNIT-D	UNIT-E	TOTAL	MIN. Btu/h	kW	RATED Btu/h	kW	MAX. Btu/h	kW	MIN.	RATED	MAX.
4 UNIT	5	5	5	5	-	20	14,400	4.22	24,000	7.03	28,800	8.44	700	1,418	2,041
	5	5	5	7	-	22	15,840	4.64	26,400	7.74	31,000	9.09	795	1,625	2,339
	5	5	5	9	-	24	16,560	4.85	27,600	8.09	31,000	9.09	832	1,838	2,647
	5	5	7	7	-	24	16,560	4.85	27,600	8.09	31,000	9.09	832	1,838	2,647
	5	5	7	9	-	26	16,560	4.85	27,600	8.09	31,000	9.09	832	1,838	2,647
	5	7	7	7	-	26	16,560	4.85	27,600	8.09	31,000	9.09	832	1,838	2,647
	5	5	5	12	-	27	16,560	4.85	27,600	8.09	31,000	9.09	832	1,838	2,647
	5	5	9	9	-	28	16,560	4.85	27,600	8.09	31,000	9.09	832	1,838	2,647
	5	7	7	9	-	28	16,560	4.85	27,600	8.09	31,000	9.09	832	1,838	2,647
	7	7	7	7	-	28	16,560	4.85	27,600	8.09	31,000	9.09	832	1,838	2,647
	5	5	7	12	-	29	16,560	4.85	27,600	8.09	31,000	9.09	832	1,838	2,647
	5	5	5	15	-	30	16,560	4.85	27,600	8.09	31,000	9.09	832	1,838	2,647
	5	7	9	9	-	30	16,560	4.85	27,600	8.09	31,000	9.09	832	1,838	2,647
	7	7	7	9	-	30	16,560	4.85	27,600	8.09	31,000	9.09	832	1,838	2,647
	5	5	9	12	-	31	16,560	4.85	27,600	8.09	31,000	9.09	832	1,838	2,



MU4R27

OPERATION	COOLING														
	INDOOR UNIT OPERATING (CAPACITY INDEX, kBtu/h)					TOTAL CAPACITY						INPUT(W)			
	UNIT-A	UNIT-B	UNIT-C	UNIT-D	UNIT-E	TOTAL	MIN.		RATED		MAX.		MIN.	RATED	MAX.
						Btu/h	kW	Btu/h	kW	Btu/h	kW	MIN.	RATED	MAX.	
2 UNIT	5	5	-	-	-	10	6,000	1.76	10,000	2.93	12,000	3.52	378	623	853
	5	7	-	-	-	12	7,200	2.11	12,000	3.52	14,400	4.22	444	761	1,038
	5	9	-	-	-	14	8,400	2.46	14,000	4.10	16,800	4.92	533	903	1,228
	7	7	-	-	-	14	8,400	2.46	14,000	4.10	16,800	4.92	533	903	1,228
	7	9	-	-	-	16	9,600	2.81	16,000	4.69	19,200	5.63	601	1,047	1,423
	5	12	-	-	-	17	10,200	2.99	17,000	4.98	20,400	5.98	646	1,121	1,537
	9	9	-	-	-	18	10,800	3.17	18,000	5.28	21,600	6.33	692	1,195	1,623
	7	12	-	-	-	19	11,400	3.34	19,000	5.57	22,800	6.68	715	1,270	1,740
	5	15	-	-	-	20	12,000	3.52	20,000	5.86	24,000	7.03	761	1,347	1,829
	9	12	-	-	-	21	12,600	3.69	21,000	6.15	25,200	7.39	808	1,423	2,012
	7	15	-	-	-	22	13,200	3.87	22,000	6.45	26,400	7.74	855	1,475	2,154
	5	18	-	-	-	23	13,800	4.04	23,000	6.74	27,600	8.09	879	1,554	2,351
	9	15	-	-	-	24	14,400	4.22	24,000	7.03	28,800	8.44	927	1,633	2,505
	12	12	-	-	-	24	14,400	4.22	24,000	7.03	28,800	8.44	927	1,633	2,505
	7	18	-	-	-	25	15,000	4.40	25,000	7.33	30,000	8.79	975	1,755	2,721
	9	18	-	-	-	27	16,200	4.75	27,000	7.90	31,050	9.10	1,047	2,011	2,891
	12	15	-	-	-	27	16,200	4.75	27,000	7.90	31,050	9.10	1,047	2,011	2,891
	5	24	-	-	-	29	16,200	4.75	27,000	7.90	31,050	9.10	1,047	2,011	2,891
	12	18	-	-	-	30	16,200	4.75	27,000	7.90	31,050	9.10	1,047	2,011	2,891
	15	15	-	-	-	30	16,200	4.75	27,000	7.90	31,050	9.10	1,047	2,011	2,891
	7	24	-	-	-	31	16,200	4.75	27,000	7.90	31,050	9.10	1,047	2,011	2,891
	9	24	-	-	-	33	16,200	4.75	27,000	7.90	31,050	9.10	1,047	2,011	2,891
	15	18	-	-	-	33	16,200	4.75	27,000	7.90	31,050	9.10	1,047	2,011	2,891
	18	18	-	-	-	36	16,200	4.75	27,000	7.90	31,050	9.10	1,047	2,011	2,891
12	24	-	-	-	36	16,200	4.75	27,000	7.90	31,050	9.10	1,047	2,011	2,891	
15	24	-	-	-	39	16,200	4.75	27,000	7.90	31,050	9.10	1,047	2,011	2,891	
3 UNIT	5	5	5	-	-	15	9,000	2.64	15,000	4.40	18,000	5.28	522	916	1,258
	5	5	7	-	-	17	10,200	2.99	17,000	4.98	20,400	5.98	607	1,054	1,445
	5	5	9	-	-	19	11,400	3.34	19,000	5.57	22,800	6.68	672	1,194	1,636
	5	7	7	-	-	19	11,400	3.34	19,000	5.57	22,800	6.68	672	1,194	1,636
	5	7	9	-	-	21	12,600	3.69	21,000	6.15	25,200	7.39	760	1,338	1,891
	7	7	7	-	-	21	12,600	3.69	21,000	6.15	25,200	7.39	760	1,338	1,891
	5	5	12	-	-	22	13,200	3.87	22,000	6.45	26,400	7.74	804	1,387	2,025
	5	9	9	-	-	23	13,800	4.04	23,000	6.74	27,600	8.09	826	1,461	2,219
	7	7	9	-	-	23	13,800	4.04	23,000	6.74	27,600	8.09	826	1,461	2,219
	5	7	12	-	-	24	14,400	4.22	24,000	7.03	28,800	8.44	871	1,535	2,379
	5	5	15	-	-	25	15,000	4.40	25,000	7.33	30,000	8.79	916	1,650	2,605
	7	9	9	-	-	25	15,000	4.40	25,000	7.33	30,000	8.79	916	1,650	2,605
	5	9	12	-	-	26	15,600	4.57	26,000	7.62	31,200	9.14	962	1,767	2,784
	7	7	12	-	-	26	15,600	4.57	26,000	7.62	31,200	9.14	962	1,767	2,784
	5	7	15	-	-	27	16,200	4.75	27,000	7.90	31,050	9.10	984	1,890	2,784
	9	9	9	-	-	27	16,200	4.75	27,000	7.90	31,050	9.10	984	1,890	2,784
	7	9	12	-	-	28	16,200	4.75	27,000	7.90	31,050	9.10	984	1,890	2,784
	5	5	18	-	-	28	16,200	4.75	27,000	7.90	31,050	9.10	984	1,890	2,784
	5	9	15	-	-	29	16,200	4.75	27,000	7.90	31,050	9.10	984	1,890	2,784
	5	12	12	-	-	29	16,200	4.75	27,000	7.90	31,050	9.10	984	1,890	2,784
	7	7	15	-	-	29	16,200	4.75	27,000	7.90	31,050	9.10	984	1,890	2,784
	5	7	18	-	-	30	16,200	4.75	27,000	7.90	31,050	9.10	984	1,890	2,784
	9	9	12	-	-	30	16,200	4.75	27,000	7.90	31,050	9.10	984	1,890	2,784
	7	9	15	-	-	31	16,200	4.75	27,000	7.90	31,050	9.10	984	1,890	2,784
	7	12	12	-	-	31	16,200	4.75	27,000	7.90	31,050	9.10	984	1,890	2,784
	5	9	18	-	-	32	16,200	4.75	27,000	7.90	31,050	9.10	984	1,890	2,784
	7	7	18	-	-	32	16,200	4.75	27,000	7.90	31,050	9.10	984	1,890	2,784
	9	9	15	-	-	33	16,200	4.75	27,000	7.90	31,050	9.10	984	1,890	2,784
	9	12	12	-	-	33	16,200	4.75	27,000	7.90	31,050	9.10	984	1,890	2,784
	7	9	18	-	-	34	16,200	4.75	27,000	7.90	31,050	9.10	984	1,890	2,784
	7	12	15	-	-	34	16,200	4.75	27,000	7.90	31,050	9.10	984	1,890	2,784
	5	5	24	-	-	34	16,200	4.75	27,000	7.90	31,050	9.10	984	1,890	2,784
	5	12	18	-	-	35	16,200	4.75	27,000	7.90	31,050	9.10	984	1,890	2,784
	5	15	15	-	-	35	16,200	4.75	27,000	7.90	31,050	9.10	984	1,890	2,784
	5	7	24	-	-	36	16,200	4.75	27,000	7.90	31,050	9.10	984	1,890	2,784
	9	12	15	-	-	36	16,200	4.75	27,000	7.90	31,050	9.10	984	1,890	2,784
12	12	12	-	-	36	16,200	4.75	27,000	7.90	31,050	9.10	984	1,890	2,784	
9	9	18	-	-	36	16,200	4.75	27,000	7.90	31,050	9.10	984	1,890	2,784	
7	12	18	-	-	37	16,200	4.75	27,000	7.90	31,050	9.10	984	1,890	2,784	
7	15	15	-	-	37	16,200	4.75	27,000	7.90	31,050	9.10	984	1,890	2,784	
5	9	24	-	-	38	16,200	4.75	27,000	7.90	31,050	9.10	984	1,890	2,784	
5	15	18	-	-	38	16,200	4.75	27,000	7.90	31,050	9.10	984	1,890	2,784	
7	7	24	-	-	38	16,200	4.75	27,000	7.90	31,050	9.10	984	1,890	2,784	
9	12	18	-	-	39	16,200	4.75	27,000	7.90	31,050	9.10	984	1,890	2,784	
9	15	15	-	-	39	16,200	4.75	27,000	7.90	31,050	9.10	984	1,890	2,784	
12	12	15	-	-	39	16,200	4.75	27,000	7.90	31,050	9.10	984	1,890	2,784	
7	9	24	-	-	40	16,200	4.75	27,000	7.90	31,050	9.10	984	1,890	2,784	
7	15	18	-	-	40	16,200	4.75	27,000	7.90	31,050	9.10	984	1,890	2,784	
5	12	24	-	-	41	16,200	4.75	27,000	7.90	31,050	9.10	984	1,890	2,784	
5	18	18	-	-	41	16,200	4.75	27,000	7.90	31,050	9.10	984	1,890	2,784	

Note

- Capacities are based on the following conditions :
 - Cooling : Indoor Ambient Temp. 27°CDB / 19°CWB, Outdoor Ambient Temp. 35°CDB / 24°CWB
 - Heating : Indoor Ambient Temp. 20°CDB / 15°CWB, Outdoor Ambient Temp. 7°CDB / 6°CWB
 - Interconnected piping is standard length and difference of Elevation (Outdoor - Indoor Unit) is 0 m.
- At least two indoor units should be connected. And minimum limit of combination ratio is 40% approximately for rated capacity of outdoor unit.
- Don't exceed the maximum connectable indoor units number, it can be found in Specifications or combination table of outdoor unit model.



MU4R27

OPERATION	COOLING														
	INDOOR UNIT OPERATING (CAPACITY INDEX, kBtu/h)					TOTAL CAPACITY						INPUT(W)			
	UNIT-A	UNIT-B	UNIT-C	UNIT-D	UNIT-E	TOTAL	MIN.		RATED		MAX.		MIN.	RATED	MAX.
						Btu/h	kW	Btu/h	kW	Btu/h	kW	MIN.	RATED	MAX.	
2 UNIT	5	5	5	5	-	20	12,000	3.52	20,000	5.86	24,000	7.03	680	1,202	1,633
	5	5	5	7	-	22	13,200	3.87	22,000	6.45	26,400	7.74	764	1,317	1,923
	5	5	5	9	-	24	14,400	4.22	24,000	7.03	28,800	8.44	827	1,458	2,215
	5	5	7	7	-	24	14,400	4.22	24,000	7.03	28,800	8.44	827	1,458	2,215
	5	5	7	9	-	26	15,600	4.57	26,000	7.62	31,200	9.14	913	1,679	2,520
	5	7	7	7	-	26	15,600	4.57	26,000	7.62	31,200	9.14	913	1,679	2,520
	5	5	5	12	-	27	16,200	4.75	27,000	7.90	32,400	9.50	935	1,795	2,706
	5	5	9	9	-	28	16,200	4.75	27,000	7.90	32,400	9.50	935	1,795	2,706
	5	7	7	9	-	28	16,200	4.75	27,000	7.90	32,400	9.50	935	1,795	2,706
	7	7	7	7	-	28	16,200	4.75	27,000	7.90	32,400	9.50	935	1,795	2,706
	5	5	7	12	-	29	16,200								



MU4R27

OPERATION	HEATING														
	INDOOR UNIT OPERATING (CAPACITY INDEX, kBtu/h)						TOTAL CAPACITY						INPUT(W)		
	UNIT-A	UNIT-B	UNIT-C	UNIT-D	UNIT-E	TOTAL	MIN.		RATED		MAX.		MIN.	RATED	MAX.
						Btu/h	kW	Btu/h	kW	Btu/h	kW	MIN.	RATED	MAX.	
2 UNIT	5	5	-	-	-	10	7,200	2.11	12,000	3.52	14,400	4.22	451	773	1,081
	5	7	-	-	-	12	8,640	2.53	14,400	4.22	17,280	5.06	541	940	1,337
	5	9	-	-	-	14	10,080	2.95	16,800	4.92	20,160	5.91	656	1,112	1,571
	7	7	-	-	-	14	10,080	2.95	16,800	4.92	20,160	5.91	656	1,112	1,571
	7	9	-	-	-	16	11,520	3.38	19,200	5.63	23,040	6.75	749	1,289	1,844
	5	12	-	-	-	17	12,240	3.59	20,400	5.98	24,480	7.17	796	1,392	1,968
	9	9	-	-	-	18	12,960	3.80	21,600	6.33	25,920	7.60	844	1,471	2,094
	7	12	-	-	-	19	13,680	4.01	22,800	6.68	27,360	8.02	892	1,577	2,222
	5	15	-	-	-	20	14,400	4.22	24,000	7.03	28,800	8.44	940	1,657	2,352
	9	12	-	-	-	21	15,120	4.43	25,200	7.39	30,240	8.86	989	1,766	2,568
	7	15	-	-	-	22	15,840	4.64	26,400	7.74	31,680	9.28	1,038	1,848	2,811
	5	18	-	-	-	23	16,560	4.85	27,600	8.09	33,120	9.71	1,112	1,960	3,127
	9	15	-	-	-	24	17,280	5.06	28,800	8.44	34,100	9.99	1,100	2,045	3,384
	12	12	-	-	-	24	17,280	5.06	28,800	8.44	34,100	9.99	1,100	2,045	3,384
	7	18	-	-	-	25	18,000	5.28	30,000	8.79	34,100	9.99	1,147	2,194	3,384
	9	18	-	-	-	27	18,000	5.45	31,000	9.09	34,100	9.99	1,194	2,157	3,384
	12	15	-	-	-	27	18,000	5.45	31,000	9.09	34,100	9.99	1,194	2,157	3,384
	5	24	-	-	-	29	18,000	5.45	31,000	9.09	34,100	9.99	1,194	2,157	3,384
	12	18	-	-	-	30	18,000	5.45	31,000	9.09	34,100	9.99	1,194	2,157	3,384
	15	15	-	-	-	30	18,000	5.45	31,000	9.09	34,100	9.99	1,194	2,157	3,384
	7	24	-	-	-	31	18,000	5.45	31,000	9.09	34,100	9.99	1,194	2,157	3,384
	9	24	-	-	-	33	18,000	5.45	31,000	9.09	34,100	9.99	1,194	2,157	3,384
	15	18	-	-	-	33	18,000	5.45	31,000	9.09	34,100	9.99	1,194	2,157	3,384
	18	18	-	-	-	36	18,000	5.45	31,000	9.09	34,100	9.99	1,194	2,157	3,384
12	24	-	-	-	36	18,000	5.45	31,000	9.09	34,100	9.99	1,194	2,157	3,384	
15	24	-	-	-	39	18,000	5.45	31,000	9.09	34,100	9.99	1,194	2,157	3,384	
3 UNIT	5	5	5	-	-	15	10,800	3.17	18,000	5.28	21,600	6.33	660	1,140	1,590
	5	5	7	-	-	17	12,240	3.59	20,400	5.98	24,480	7.17	748	1,309	1,850
	5	5	9	-	-	19	13,680	4.01	22,800	6.68	27,360	8.02	838	1,482	2,089
	5	7	7	-	-	19	13,680	4.01	22,800	6.68	27,360	8.02	838	1,482	2,089
	5	7	9	-	-	21	15,120	4.43	25,200	7.39	30,240	8.86	930	1,660	2,414
	7	7	7	-	-	21	15,120	4.43	25,200	7.39	30,240	8.86	930	1,660	2,414
	5	5	12	-	-	22	15,840	4.64	26,400	7.74	31,680	9.28	976	1,738	2,590
	5	9	9	-	-	23	16,560	4.85	27,600	8.09	33,120	9.71	1,046	1,842	2,767
	7	7	9	-	-	23	16,560	4.85	27,600	8.09	33,120	9.71	1,046	1,842	2,767
	5	7	12	-	-	24	17,280	5.06	28,800	8.44	34,560	10.13	1,093	1,922	2,951
	5	5	15	-	-	25	18,000	5.28	30,000	8.79	34,720	10.18	1,140	2,063	2,998
	7	9	9	-	-	25	18,000	5.28	30,000	8.79	34,720	10.18	1,140	2,063	2,998
	5	9	12	-	-	26	18,720	5.49	31,200	9.14	34,720	10.18	1,188	2,177	2,998
	7	7	12	-	-	26	18,720	5.49	31,200	9.14	34,720	10.18	1,188	2,177	2,998
	5	7	15	-	-	27	18,000	5.45	31,000	9.09	34,720	10.18	1,188	2,177	2,998
	9	9	9	-	-	27	18,000	5.45	31,000	9.09	34,720	10.18	1,188	2,177	2,998
	7	9	12	-	-	28	18,000	5.45	31,000	9.09	34,720	10.18	1,188	2,177	2,998
	5	5	18	-	-	28	18,000	5.45	31,000	9.09	34,720	10.18	1,188	2,177	2,998
	5	9	15	-	-	29	18,000	5.45	31,000	9.09	34,720	10.18	1,188	2,177	2,998
	5	12	12	-	-	29	18,000	5.45	31,000	9.09	34,720	10.18	1,188	2,177	2,998
	7	7	15	-	-	29	18,000	5.45	31,000	9.09	34,720	10.18	1,188	2,177	2,998
	5	7	18	-	-	30	18,000	5.45	31,000	9.09	34,720	10.18	1,188	2,177	2,998
	9	9	12	-	-	30	18,000	5.45	31,000	9.09	34,720	10.18	1,188	2,177	2,998
	7	9	15	-	-	31	18,000	5.45	31,000	9.09	34,720	10.18	1,188	2,177	2,998
	7	12	12	-	-	31	18,000	5.45	31,000	9.09	34,720	10.18	1,188	2,177	2,998
	5	12	15	-	-	32	18,000	5.45	31,000	9.09	34,720	10.18	1,188	2,177	2,998
	5	9	18	-	-	32	18,000	5.45	31,000	9.09	34,720	10.18	1,188	2,177	2,998
	7	7	18	-	-	32	18,000	5.45	31,000	9.09	34,720	10.18	1,188	2,177	2,998
	9	9	15	-	-	33	18,000	5.45	31,000	9.09	34,720	10.18	1,188	2,177	2,998
	9	12	12	-	-	33	18,000	5.45	31,000	9.09	34,720	10.18	1,188	2,177	2,998
	7	9	18	-	-	34	18,000	5.45	31,000	9.09	34,720	10.18	1,188	2,177	2,998
	7	12	15	-	-	34	18,000	5.45	31,000	9.09	34,720	10.18	1,188	2,177	2,998
	5	5	24	-	-	34	18,000	5.45	31,000	9.09	34,720	10.18	1,188	2,177	2,998
	5	12	18	-	-	35	18,000	5.45	31,000	9.09	34,720	10.18	1,188	2,177	2,998
	5	15	15	-	-	35	18,000	5.45	31,000	9.09	34,720	10.18	1,188	2,177	2,998
	9	7	24	-	-	36	18,000	5.45	31,000	9.09	34,720	10.18	1,188	2,177	2,998
	9	12	15	-	-	36	18,000	5.45	31,000	9.09	34,720	10.18	1,188	2,177	2,998
	12	12	12	-	-	36	18,000	5.45	31,000	9.09	34,720	10.18	1,188	2,177	2,998
	9	9	18	-	-	36	18,000	5.45	31,000	9.09	34,720	10.18	1,188	2,177	2,998
	7	12	18	-	-	37	18,000	5.45	31,000	9.09	34,720	10.18	1,188	2,177	2,998
	7	15	15	-	-	37	18,000	5.45	31,000	9.09	34,720	10.18	1,188	2,177	2,998
	5	9	24	-	-	38	18,000	5.45	31,000	9.09	34,720	10.18	1,188	2,177	2,998
	5	15	18	-	-	38	18,000	5.45	31,000	9.09	34,720	10.18	1,188	2,177	2,998
	7	7	24	-	-	38	18,000	5.45	31,000	9.09	34,720	10.18	1,188	2,177	2,998
	9	12	18	-	-	39	18,000	5.45	31,000	9.09	34,720	10.18	1,188	2,177	2,998
	9	15	15	-	-	39	18,000	5.45	31,000	9.09	34,720	10.18	1,188	2,177	2,998
	12	12	15	-	-	39	18,000	5.45	31,000	9.09	34,720	10.18	1,188	2,177	2,998
	7	9	24	-	-	40	18,000	5.45	31,000	9.09	34,720	10.18	1,188	2,177	2,998
7	15	18	-	-	40	18,000	5.45	31,000	9.09	34,720	10.18	1,188	2,177	2,998	
5	12	24	-	-	41	18,000	5.45	31,000	9.09	34,720	10.18	1,188	2,177	2,998	
5	18	18	-	-	41	18,000	5.45	31,000	9.09	34,720	10.18	1,188	2,177	2,998	

Note
 1. Capacities are based on the following conditions :
 - Cooling : Indoor Ambient Temp. 27°CDB / 19°CWB, Outdoor Ambient Temp. 35°CDB / 24°CWB
 - Heating : Indoor Ambient Temp. 20°CDB / 15°CWB, Outdoor Ambient Temp. 7°CDB / 6°CWB
 - Interconnected piping is standard length and difference of Elevation (Outdoor - Indoor Unit) is 0 m.
 2. At least two indoor units should be connected. And minimum limit of combination ratio is 40% approximately for rated capacity of outdoor unit.
 3. Don't exceed the maximum connectable indoor units number, it can be found in Specifications or combination table of outdoor unit model.



MU4R27

OPERATION	HEATING														
	INDOOR UNIT OPERATING (CAPACITY INDEX, kBtu/h)						TOTAL CAPACITY						INPUT(W)		
	UNIT-A	UNIT-B	UNIT-C	UNIT-D	UNIT-E	TOTAL	MIN.		RATED		MAX.		MIN.	RATED	MAX.
						Btu/h	kW	Btu/h	kW	Btu/h	kW	MIN.	RATED	MAX.	
4 UNIT	5	5	5	5	-	20	14,400	4.22	24,000	7.03	28,800	8.44	840	1,480	2,100
	5	5	5	7	-	22	15,840	4.64	26,400	7.74	31,680	9.28	927	1,651	2,470
	5	5	5	9	-	24	17,280	5.06	28,800	8.44	34,560	10.13	1,038	1,826	2,861
	5	5	7	7	-	24	17,280	5.06	28,800	8.44	34,560	10.13	1,038	1,826	2,861
	5	5	7	9	-	26	18,000	5.28	30,000	8.79	36,000	10.55	1,083	1,960	3,125
	5	7	7	7	-	26	18,000	5.28	30,000	8.79	36,000	10.55	1,083	1,960	3,125
	5	5	5	12	-	27	18,000	5.45	31,000	9.09	36,000	10.55	1,128	2,068	3,125
	5	5	9	9	-	28	18,000	5.45	31,000	9.09	36,000	10.55	1,128	2,068	3,125
	5	7	7	9	-	28	18,000	5.45							



MU5R30

OPERATION	COOLING														
	INDOOR UNIT OPERATING (CAPACITY INDEX, kBtu/h)					TOTAL CAPACITY						INPUT(W)			
	UNIT-A	UNIT-B	UNIT-C	UNIT-D	UNIT-E	TOTAL	MIN.		RATED		MAX.		MIN.	RATED	MAX.
						Btu/h	kW	Btu/h	kW	Btu/h	kW	MIN.	RATED	MAX.	
2 UNIT	5	5	-	-	-	10	6,000	1.76	10,000	2.93	12,000	3.52	378	623	876
	5	7	-	-	-	12	7,200	2.11	12,000	3.52	14,400	4.22	444	761	1,066
	5	9	-	-	-	14	8,400	2.46	14,000	4.10	16,800	4.92	533	903	1,261
	7	7	-	-	-	14	8,400	2.46	14,000	4.10	16,800	4.92	533	903	1,261
	7	9	-	-	-	16	9,600	2.81	16,000	4.69	19,200	5.63	601	1,047	1,461
	5	12	-	-	-	17	10,200	2.99	17,000	4.98	20,400	5.98	646	1,121	1,578
	9	9	-	-	-	18	10,800	3.17	18,000	5.28	21,600	6.33	692	1,195	1,667
	7	12	-	-	-	19	11,400	3.34	19,000	5.57	22,800	6.68	715	1,270	1,787
	5	15	-	-	-	20	12,000	3.52	20,000	5.86	24,000	7.03	761	1,347	1,878
	9	12	-	-	-	21	12,600	3.69	21,000	6.15	25,200	7.39	808	1,423	2,066
	7	15	-	-	-	22	13,200	3.87	22,000	6.45	26,400	7.74	855	1,475	2,211
	5	18	-	-	-	23	13,800	4.04	23,000	6.74	27,600	8.09	879	1,554	2,414
	9	15	-	-	-	24	14,400	4.22	24,000	7.03	28,800	8.44	927	1,633	2,572
	12	12	-	-	-	24	14,400	4.22	24,000	7.03	28,800	8.44	927	1,633	2,572
	7	18	-	-	-	25	15,000	4.40	25,000	7.33	30,000	8.79	975	1,755	2,794
	9	18	-	-	-	27	16,200	4.75	27,000	7.91	32,400	9.50	1,047	2,011	3,213
	12	15	-	-	-	27	16,200	4.75	27,000	7.91	32,400	9.50	1,047	2,011	3,213
	5	24	-	-	-	29	17,400	5.10	29,000	8.50	33,000	9.67	1,145	2,284	3,341
	12	18	-	-	-	30	18,000	5.28	30,000	8.80	33,000	9.67	1,195	2,429	3,341
	15	15	-	-	-	30	18,000	5.28	30,000	8.80	33,000	9.67	1,195	2,429	3,341
	7	24	-	-	-	31	18,000	5.28	30,000	8.80	33,000	9.67	1,195	2,429	3,341
	9	24	-	-	-	33	18,000	5.28	30,000	8.80	33,000	9.67	1,195	2,429	3,341
	15	18	-	-	-	33	18,000	5.28	30,000	8.80	33,000	9.67	1,195	2,429	3,341
	18	18	-	-	-	36	18,000	5.28	30,000	8.80	33,000	9.67	1,195	2,429	3,341
12	24	-	-	-	36	18,000	5.28	30,000	8.80	33,000	9.67	1,195	2,429	3,341	
15	24	-	-	-	39	18,000	5.28	30,000	8.80	33,000	9.67	1,195	2,429	3,341	
18	24	-	-	-	42	18,000	5.28	30,000	8.80	33,000	9.67	1,195	2,429	3,341	
24	24	-	-	-	48	18,000	5.28	30,000	8.80	33,000	9.67	1,195	2,429	3,341	
3 UNIT	5	5	5	-	-	15	9,000	2.64	15,000	4.40	18,000	5.28	522	916	1,292
	5	5	7	-	-	17	10,200	2.99	17,000	4.98	20,400	5.98	607	1,054	1,483
	5	5	9	-	-	19	11,400	3.34	19,000	5.57	22,800	6.68	672	1,194	1,680
	5	7	7	-	-	19	11,400	3.34	19,000	5.57	22,800	6.68	672	1,194	1,680
	5	7	9	-	-	21	12,600	3.69	21,000	6.15	25,200	7.39	760	1,338	1,942
	7	7	7	-	-	21	12,600	3.69	21,000	6.15	25,200	7.39	760	1,338	1,942
	5	5	12	-	-	22	13,200	3.87	22,000	6.45	26,400	7.74	804	1,387	2,079
	5	9	9	-	-	23	13,800	4.04	23,000	6.74	27,600	8.09	826	1,461	2,278
	7	7	9	-	-	23	13,800	4.04	23,000	6.74	27,600	8.09	826	1,461	2,278
	5	7	12	-	-	24	14,400	4.22	24,000	7.03	28,800	8.44	871	1,535	2,442
	5	5	15	-	-	25	15,000	4.40	25,000	7.33	30,000	8.79	916	1,650	2,674
	7	9	9	-	-	25	15,000	4.40	25,000	7.33	30,000	8.79	916	1,650	2,674
	5	9	12	-	-	26	15,600	4.57	26,000	7.62	31,200	9.14	962	1,767	2,859
	7	7	12	-	-	26	15,600	4.57	26,000	7.62	31,200	9.14	962	1,767	2,859
	5	7	15	-	-	27	16,200	4.75	27,000	7.91	32,400	9.50	984	1,890	3,120
	9	9	9	-	-	27	16,200	4.75	27,000	7.91	32,400	9.50	984	1,890	3,120
	7	9	12	-	-	28	16,800	4.92	28,000	8.21	33,600	9.85	1,030	2,028	3,327
	5	5	18	-	-	28	16,800	4.92	28,000	8.21	33,600	9.85	1,030	2,028	3,327
	5	9	15	-	-	29	17,400	5.10	29,000	8.50	33,600	9.85	1,077	2,173	3,327
	5	12	12	-	-	29	17,400	5.10	29,000	8.50	33,600	9.85	1,077	2,173	3,327
	7	7	15	-	-	29	17,400	5.10	29,000	8.50	33,600	9.85	1,077	2,173	3,327
	9	7	18	-	-	30	18,000	5.28	30,000	8.80	33,600	9.85	1,123	2,326	3,327
	5	9	12	-	-	30	18,000	5.28	30,000	8.80	33,600	9.85	1,123	2,326	3,327
	7	9	15	-	-	31	18,000	5.28	30,000	8.80	33,600	9.85	1,123	2,326	3,327
	7	12	12	-	-	31	18,000	5.28	30,000	8.80	33,600	9.85	1,123	2,326	3,327
	5	12	15	-	-	32	18,000	5.28	30,000	8.80	33,600	9.85	1,123	2,326	3,327
	5	9	18	-	-	32	18,000	5.28	30,000	8.80	33,600	9.85	1,123	2,326	3,327
	7	7	18	-	-	32	18,000	5.28	30,000	8.80	33,600	9.85	1,123	2,326	3,327
	9	9	15	-	-	33	18,000	5.28	30,000	8.80	33,600	9.85	1,123	2,326	3,327
	9	12	12	-	-	33	18,000	5.28	30,000	8.80	33,600	9.85	1,123	2,326	3,327
	7	9	18	-	-	34	18,000	5.28	30,000	8.80	33,600	9.85	1,123	2,326	3,327
	7	12	15	-	-	34	18,000	5.28	30,000	8.80	33,600	9.85	1,123	2,326	3,327
	5	5	24	-	-	34	18,000	5.28	30,000	8.80	33,600	9.85	1,123	2,326	3,327
	5	12	18	-	-	35	18,000	5.28	30,000	8.80	33,600	9.85	1,123	2,326	3,327
	5	15	15	-	-	35	18,000	5.28	30,000	8.80	33,600	9.85	1,123	2,326	3,327
	5	7	24	-	-	36	18,000	5.28	30,000	8.80	33,600	9.85	1,123	2,326	3,327
	9	12	15	-	-	36	18,000	5.28	30,000	8.80	33,600	9.85	1,123	2,326	3,327
	12	12	12	-	-	36	18,000	5.28	30,000	8.80	33,600	9.85	1,123	2,326	3,327
	9	9	18	-	-	36	18,000	5.28	30,000	8.80	33,600	9.85	1,123	2,326	3,327
	7	12	18	-	-	37	18,000	5.28	30,000	8.80	33,600	9.85	1,123	2,326	3,327
	7	15	15	-	-	37	18,000	5.28	30,000	8.80	33,600	9.85	1,123	2,326	3,327
	5	9	24	-	-	38	18,000	5.28	30,000	8.80	33,600	9.85	1,123	2,326	3,327
	5	15	18	-	-	38	18,000	5.28	30,000	8.80	33,600	9.85	1,123	2,326	3,327
	7	7	24	-	-	38	18,000	5.28	30,000	8.80	33,600	9.85	1,123	2,326	3,327
	9	12	18	-	-	39	18,000	5.28	30,000	8.80	33,600	9.85	1,123	2,326	3,327
	9	15	15	-	-	39	18,000	5.28	30,000	8.80	33,600	9.85	1,123	2,326	3,327
	12	12	15	-	-	39	18,000	5.28	30,000	8.80	33,600	9.85	1,123	2,326	3,327
	7	9	24	-	-	40	18,000	5.28	30,000	8.80	33,600	9.85	1,123	2,326	3,327
7	15	18	-	-	40	18,000	5.28	30,000	8.80	33,600	9.85	1,123	2,326	3,327	
5	12	24	-	-	41	18,000	5.28	30,000	8.80	33,600	9.85	1,123	2,326	3,327	
5	18	18	-	-	41	18,000	5.28	30,000	8.80	33,600	9.85	1,123	2,326	3,327	
12	12	18	-	-	42	18,000	5.28	30,000	8.80	33,600	9.85	1,123	2,326	3,327	
9	9	24	-	-	42	18,000	5.28	30,000	8.80	33,600	9.85	1,123	2,326	3,327	
9	15	18	-	-	42	18,000	5.28	30,000	8.80	33,600	9.85	1,123	2,326	3,327	
12	15	15	-	-	42	18,000	5.28	30,000	8.80	33,600	9.85	1,123	2,326	3,327	
7	18	18	-	-	43	18,000	5.28	30,000	8.80	33,600	9.85	1,123	2,326	3,327	
7	12	24	-	-	43	18,000	5.28	30,000	8.80	33,600	9.85	1,123	2,326	3,327	
5	15	24	-	-	44	18,000	5.28	30,000	8.80	33,600	9.85	1,123	2,326	3,327	
9	18	18	-	-	45	18,000	5.28	30,000	8.80	33,600	9.85	1,123	2,326	3,327	
9	12	24	-	-	45	18,000	5.28	30,000	8.80	33,600	9.85	1,123	2,326	3,327	
12	15	18	-	-	45	18,000	5.28	30,000	8.80	33,600	9.85	1,123	2,326	3,327	
15	15	15	-	-	45	18,000	5.28	30,000	8.80	33,600	9.85	1,123	2,326	3,327	
7	15	24	-	-	46	18,000	5.28	30,000	8.80	33,600	9.85	1,123	2,326	3,327	
5	18	24	-	-	47	18,									



MU5R30

OPERATION	COOLING														
	INDOOR UNIT OPERATING (CAPACITY INDEX, kBtu/h)					TOTAL CAPACITY						INPUT(W)			
	UNIT-A	UNIT-B	UNIT-C	UNIT-D	UNIT-E	TOTAL	MIN.		RATED		MAX.		MIN.	RATED	MAX.
						Btu/h	kW	Btu/h	kW	Btu/h	kW	MIN.	RATED	MAX.	
	5	5	5	5	5	25	15,000	4.40	25,000	7.33	30,000	8.79	841	1,517	2,300
	5	5	5	5	7	27	16,200	4.75	27,000	7.91	32,400	9.50	906	1,701	2,645
	5	5	5	5	9	29	17,400	5.10	29,000	8.50	34,800	10.20	993	1,897	3,026
	5	5	5	7	7	29	17,400	5.10	29,000	8.50	34,800	10.20	993	1,897	3,026
	5	5	5	7	9	31	18,000	5.28	30,000	8.80	36,000	10.55	1,037	2,000	3,260
	5	5	5	7	7	31	18,000	5.28	30,000	8.80	36,000	10.55	1,037	2,000	3,260
	5	5	5	5	12	32	18,000	5.28	30,000	8.80	36,000	10.55	1,037	2,000	3,260
	5	5	5	5	9	33	18,000	5.28	30,000	8.80	36,000	10.55	1,037	2,000	3,260
	5	5	5	7	7	33	18,000	5.28	30,000	8.80	36,000	10.55	1,037	2,000	3,260
	5	5	5	7	9	33	18,000	5.28	30,000	8.80	36,000	10.55	1,037	2,000	3,260
	5	5	5	7	12	34	18,000	5.28	30,000	8.80	36,000	10.55	1,037	2,000	3,260
	5	5	5	5	15	35	18,000	5.28	30,000	8.80	36,000	10.55	1,037	2,000	3,260
	5	5	5	7	9	35	18,000	5.28	30,000	8.80	36,000	10.55	1,037	2,000	3,260
	5	5	7	7	9	35	18,000	5.28	30,000	8.80	36,000	10.55	1,037	2,000	3,260
	7	7	7	7	7	35	18,000	5.28	30,000	8.80	36,000	10.55	1,037	2,000	3,260
	5	5	5	5	12	36	18,000	5.28	30,000	8.80	36,000	10.55	1,037	2,000	3,260
	5	5	5	7	15	37	18,000	5.28	30,000	8.80	36,000	10.55	1,037	2,000	3,260
	5	5	5	9	9	37	18,000	5.28	30,000	8.80	36,000	10.55	1,037	2,000	3,260
	5	7	7	7	9	37	18,000	5.28	30,000	8.80	36,000	10.55	1,037	2,000	3,260
	5	5	5	5	18	38	18,000	5.28	30,000	8.80	36,000	10.55	1,037	2,000	3,260
	5	7	7	7	12	38	18,000	5.28	30,000	8.80	36,000	10.55	1,037	2,000	3,260
	5	5	5	5	15	39	18,000	5.28	30,000	8.80	36,000	10.55	1,037	2,000	3,260
	5	5	5	5	12	39	18,000	5.28	30,000	8.80	36,000	10.55	1,037	2,000	3,260
	5	5	7	7	15	39	18,000	5.28	30,000	8.80	36,000	10.55	1,037	2,000	3,260
	7	7	7	7	9	39	18,000	5.28	30,000	8.80	36,000	10.55	1,037	2,000	3,260
	5	7	9	9	9	39	18,000	5.28	30,000	8.80	36,000	10.55	1,037	2,000	3,260
	5	5	5	7	18	40	18,000	5.28	30,000	8.80	36,000	10.55	1,037	2,000	3,260
	5	5	9	9	12	40	18,000	5.28	30,000	8.80	36,000	10.55	1,037	2,000	3,260
	5	7	7	9	12	40	18,000	5.28	30,000	8.80	36,000	10.55	1,037	2,000	3,260
	7	7	7	7	12	40	18,000	5.28	30,000	8.80	36,000	10.55	1,037	2,000	3,260
	5	5	7	9	15	41	18,000	5.28	30,000	8.80	36,000	10.55	1,037	2,000	3,260
	5	9	9	9	9	41	18,000	5.28	30,000	8.80	36,000	10.55	1,037	2,000	3,260
	7	7	9	9	9	41	18,000	5.28	30,000	8.80	36,000	10.55	1,037	2,000	3,260
	5	5	5	9	18	42	18,000	5.28	30,000	8.80	36,000	10.55	1,037	2,000	3,260
	5	5	5	12	15	42	18,000	5.28	30,000	8.80	36,000	10.55	1,037	2,000	3,260
	5	5	7	18	42	18,000	5.28	30,000	8.80	36,000	10.55	1,037	2,000	3,260	
	5	7	9	12	42	18,000	5.28	30,000	8.80	36,000	10.55	1,037	2,000	3,260	
	5	5	9	15	43	18,000	5.28	30,000	8.80	36,000	10.55	1,037	2,000	3,260	
	5	7	9	15	43	18,000	5.28	30,000	8.80	36,000	10.55	1,037	2,000	3,260	
	5	7	7	12	43	18,000	5.28	30,000	8.80	36,000	10.55	1,037	2,000	3,260	
	7	7	7	15	43	18,000	5.28	30,000	8.80	36,000	10.55	1,037	2,000	3,260	
	7	9	9	9	43	18,000	5.28	30,000	8.80	36,000	10.55	1,037	2,000	3,260	
	5	5	7	12	44	18,000	5.28	30,000	8.80	36,000	10.55	1,037	2,000	3,260	
	5	5	5	24	44	18,000	5.28	30,000	8.80	36,000	10.55	1,037	2,000	3,260	
	5	7	7	18	44	18,000	5.28	30,000	8.80	36,000	10.55	1,037	2,000	3,260	
	5	9	9	12	44	18,000	5.28	30,000	8.80	36,000	10.55	1,037	2,000	3,260	
	7	7	9	12	44	18,000	5.28	30,000	8.80	36,000	10.55	1,037	2,000	3,260	
	5	5	5	12	45	18,000	5.28	30,000	8.80	36,000	10.55	1,037	2,000	3,260	
	5	5	5	15	45	18,000	5.28	30,000	8.80	36,000	10.55	1,037	2,000	3,260	
	5	7	9	15	45	18,000	5.28	30,000	8.80	36,000	10.55	1,037	2,000	3,260	
	5	7	9	12	45	18,000	5.28	30,000	8.80	36,000	10.55	1,037	2,000	3,260	
	7	7	7	9	45	18,000	5.28	30,000	8.80	36,000	10.55	1,037	2,000	3,260	
	7	7	7	12	45	18,000	5.28	30,000	8.80	36,000	10.55	1,037	2,000	3,260	
	9	9	9	9	45	18,000	5.28	30,000	8.80	36,000	10.55	1,037	2,000	3,260	
	5	5	5	7	24	46	18,000	5.28	30,000	8.80	36,000	10.55	1,037	2,000	3,260
	5	5	9	18	46	18,000	5.28	30,000	8.80	36,000	10.55	1,037	2,000	3,260	
	5	5	9	12	46	18,000	5.28	30,000	8.80	36,000	10.55	1,037	2,000	3,260	
	5	5	9	15	46	18,000	5.28	30,000	8.80	36,000	10.55	1,037	2,000	3,260	
	5	7	7	18	46	18,000	5.28	30,000	8.80	36,000	10.55	1,037	2,000	3,260	
	5	7	7	12	46	18,000	5.28	30,000	8.80	36,000	10.55	1,037	2,000	3,260	
	5	7	9	18	46	18,000	5.28	30,000	8.80	36,000	10.55	1,037	2,000	3,260	
	5	5	9	12	46	18,000	5.28	30,000	8.80	36,000	10.55	1,037	2,000	3,260	
	5	5	7	24	48	18,000	5.28	30,000	8.80	36,000	10.55	1,037	2,000	3,260	
	5	7	9	18	48	18,000	5.28	30,000	8.80	36,000	10.55	1,037	2,000	3,260	
	5	7	9	12	48	18,000	5.28	30,000	8.80	36,000	10.55	1,037	2,000	3,260	
	7	7	7	12	48	18,000	5.28	30,000	8.80	36,000	10.55	1,037	2,000	3,260	
	9	9	9	9	48	18,000	5.28	30,000	8.80	36,000	10.55	1,037	2,000	3,260	
	7	7	7	9	48	18,000	5.28	30,000	8.80	36,000	10.55	1,037	2,000	3,260	

Note

- Capacities are based on the following conditions :
 - Cooling : Indoor Ambient Temp. 27°CDB / 19°CWB, Outdoor Ambient Temp. 35°CDB / 24°CWB
 - Heating : Indoor Ambient Temp. 20°CDB / 15°CWB, Outdoor Ambient Temp. 7°CDB / 6°CWB
 - Interconnected piping is standard length and difference of Elevation (Outdoor - Indoor Unit) is 0 m.
- At least two indoor units should be connected. And minimum limit of combination ratio is 40% approximately for rated capacity of outdoor unit.
- Don't exceed the maximum connectable indoor units number, it can be found in Specifications or combination table of outdoor unit model.



MU5R30

OPERATION	HEATING														
	INDOOR UNIT OPERATING (CAPACITY INDEX, kBtu/h)					TOTAL CAPACITY						INPUT(W)			
	UNIT-A	UNIT-B	UNIT-C	UNIT-D	UNIT-E	TOTAL	MIN.		RATED		MAX.		MIN.	RATED	MAX.
						Btu/h	kW	Btu/h	kW	Btu/h	kW	MIN.	RATED	MAX.	
	5	5	-	-	-	10	7,200	2.11	12,000	3.52	14,400	4.22	451	773	1,081
	5	7	-	-	-	12	8,640	2.53	14,400	4.22	17,280	5.06	541	940	1,337
	5	9	-	-	-	14	10,080	2.95	16,800	4.92	20,160	5.91	656	1,112	1,571
	7	7	-	-	-	14	10,080	2.95	16,800	4.92	20,160	5.91	656	1,112	1,571
	7	9	-	-	-	16	11,520	3.38	19,200	5.63	23,040	6.75	749	1,289	1,844
	5	12	-	-	-	17	12,240	3.59	20,400	5.98	24,480	7.17	796	1,392	1,968
	9	9	-	-	-	18	12,960	3.80	21,600	6.33	25,920	7.60	844	1,471	2,094
	7	12	-	-	-	19	13,680	4.01	22,800	6.68	27,360	8.02	892	1,577	2,222
	5	15	-	-	-	20	14,400	4.22	24,000	7.03	28,800	8.44	940	1,657	2,352
	9	12	-	-	-	21	15,120	4.43	25,200	7.39	30,240	8.86	989	1,766	2,568
	7	15	-	-	-	22	15,840	4.64	26,400	7.74	31,680	9.28	1,038	1,848	2,811
	5	18	-	-	-	23	16,560	4.85	27,600	8.09	33,120	9.71	1,112	1,960	3,127
	9	15	-	-	-	24	17,280	5.06	28,800	8.44	34,560	10.13	1,162	2,045	3,473
	12	12	-	-	-	24	17,280	5.06	28,800	8.44	34,560	10.13	1,162	2,045	3,473
	7	18	-	-	-	25	18,000	5.28	30,000	8.79	36,000	10.13	1,213	2,194	3,473
	9	18	-	-											



MU5R30

OPERATION	HEATING														
	INDOOR UNIT OPERATING (CAPACITY INDEX, kBtu/h)						TOTAL CAPACITY						INPUT(W)		
	UNIT-A	UNIT-B	UNIT-C	UNIT-D	UNIT-E	TOTAL	MIN. Btu/h	kW	RATED Btu/h	kW	MAX. Btu/h	kW	MIN.	RATED	MAX.
	5	5	5	5	-	20	14,400	4.22	24,000	7.03	28,800	8.44	840	1,480	2,100
	5	5	5	7	-	22	15,840	4.64	26,400	7.74	31,680	9.28	927	1,651	2,470
	5	5	5	9	-	24	17,280	5.06	28,800	8.44	34,560	10.13	1,038	1,826	2,861
	5	5	7	7	-	24	17,280	5.06	28,800	8.44	34,560	10.13	1,038	1,826	2,861
	5	5	7	9	-	26	18,720	5.49	31,200	9.14	37,440	10.97	1,128	2,068	3,349
	5	7	7	7	-	26	18,720	5.49	31,200	9.14	37,440	10.97	1,128	2,068	3,349
	5	5	5	12	-	27	19,440	5.70	32,400	9.50	38,640	11.32	1,174	2,230	3,524
	5	5	5	9	-	28	20,160	5.91	33,600	9.85	38,640	11.32	1,220	2,356	3,524
	5	7	7	9	-	28	20,160	5.91	33,600	9.85	38,640	11.32	1,220	2,356	3,524
	5	7	7	7	-	28	20,160	5.91	33,600	9.85	38,640	11.32	1,220	2,356	3,524
	5	5	5	7	-	29	20,700	6.07	34,500	10.11	38,640	11.32	1,267	2,487	3,524
	5	5	5	15	-	30	20,700	6.07	34,500	10.11	38,640	11.32	1,267	2,487	3,524
	5	7	9	9	-	30	20,700	6.07	34,500	10.11	38,640	11.32	1,267	2,487	3,524
	7	7	7	9	-	30	20,700	6.07	34,500	10.11	38,640	11.32	1,267	2,487	3,524
	5	5	9	12	-	31	20,700	6.07	34,500	10.11	38,640	11.32	1,267	2,487	3,524
	5	7	7	12	-	31	20,700	6.07	34,500	10.11	38,640	11.32	1,267	2,487	3,524
	5	5	7	15	-	32	20,700	6.07	34,500	10.11	38,640	11.32	1,267	2,487	3,524
	7	7	9	9	-	32	20,700	6.07	34,500	10.11	38,640	11.32	1,267	2,487	3,524
	5	5	5	18	-	33	20,700	6.07	34,500	10.11	38,640	11.32	1,267	2,487	3,524
	5	7	9	12	-	33	20,700	6.07	34,500	10.11	38,640	11.32	1,267	2,487	3,524
	7	7	7	12	-	33	20,700	6.07	34,500	10.11	38,640	11.32	1,267	2,487	3,524
	5	5	9	15	-	34	20,700	6.07	34,500	10.11	38,640	11.32	1,267	2,487	3,524
	5	5	12	12	-	34	20,700	6.07	34,500	10.11	38,640	11.32	1,267	2,487	3,524
	5	7	7	15	-	34	20,700	6.07	34,500	10.11	38,640	11.32	1,267	2,487	3,524
	7	9	9	9	-	34	20,700	6.07	34,500	10.11	38,640	11.32	1,267	2,487	3,524
	5	5	7	18	-	35	20,700	6.07	34,500	10.11	38,640	11.32	1,267	2,487	3,524
	5	9	9	12	-	35	20,700	6.07	34,500	10.11	38,640	11.32	1,267	2,487	3,524
	7	7	9	12	-	35	20,700	6.07	34,500	10.11	38,640	11.32	1,267	2,487	3,524
	5	7	9	15	-	36	20,700	6.07	34,500	10.11	38,640	11.32	1,267	2,487	3,524
	5	7	12	12	-	36	20,700	6.07	34,500	10.11	38,640	11.32	1,267	2,487	3,524
	7	7	7	15	-	36	20,700	6.07	34,500	10.11	38,640	11.32	1,267	2,487	3,524
	9	9	9	9	-	36	20,700	6.07	34,500	10.11	38,640	11.32	1,267	2,487	3,524
	5	5	9	18	-	37	20,700	6.07	34,500	10.11	38,640	11.32	1,267	2,487	3,524
	5	7	7	18	-	37	20,700	6.07	34,500	10.11	38,640	11.32	1,267	2,487	3,524
	7	9	9	12	-	37	20,700	6.07	34,500	10.11	38,640	11.32	1,267	2,487	3,524
	5	9	9	15	-	38	20,700	6.07	34,500	10.11	38,640	11.32	1,267	2,487	3,524
	7	7	9	15	-	38	20,700	6.07	34,500	10.11	38,640	11.32	1,267	2,487	3,524
	5	5	12	12	-	38	20,700	6.07	34,500	10.11	38,640	11.32	1,267	2,487	3,524
	5	7	9	18	-	39	20,700	6.07	34,500	10.11	38,640	11.32	1,267	2,487	3,524
	5	7	12	15	-	39	20,700	6.07	34,500	10.11	38,640	11.32	1,267	2,487	3,524
	5	9	9	12	-	39	20,700	6.07	34,500	10.11	38,640	11.32	1,267	2,487	3,524
	7	7	7	18	-	39	20,700	6.07	34,500	10.11	38,640	11.32	1,267	2,487	3,524
	5	5	12	18	-	40	20,700	6.07	34,500	10.11	38,640	11.32	1,267	2,487	3,524
	7	9	9	15	-	40	20,700	6.07	34,500	10.11	38,640	11.32	1,267	2,487	3,524
	7	9	12	12	-	40	20,700	6.07	34,500	10.11	38,640	11.32	1,267	2,487	3,524
	5	5	7	24	-	41	20,700	6.07	34,500	10.11	38,640	11.32	1,267	2,487	3,524
	5	9	12	15	-	41	20,700	6.07	34,500	10.11	38,640	11.32	1,267	2,487	3,524
	7	7	12	15	-	41	20,700	6.07	34,500	10.11	38,640	11.32	1,267	2,487	3,524
	5	7	7	18	-	41	20,700	6.07	34,500	10.11	38,640	11.32	1,267	2,487	3,524
	5	7	15	15	-	42	20,700	6.07	34,500	10.11	38,640	11.32	1,267	2,487	3,524
	9	9	9	15	-	42	20,700	6.07	34,500	10.11	38,640	11.32	1,267	2,487	3,524
	9	9	12	12	-	42	20,700	6.07	34,500	10.11	38,640	11.32	1,267	2,487	3,524
	5	5	9	24	-	43	20,700	6.07	34,500	10.11	38,640	11.32	1,267	2,487	3,524
	7	9	12	15	-	43	20,700	6.07	34,500	10.11	38,640	11.32	1,267	2,487	3,524
	7	12	12	12	-	43	20,700	6.07	34,500	10.11	38,640	11.32	1,267	2,487	3,524
	7	9	9	18	-	43	20,700	6.07	34,500	10.11	38,640	11.32	1,267	2,487	3,524
	5	9	15	15	-	44	20,700	6.07	34,500	10.11	38,640	11.32	1,267	2,487	3,524
	7	7	12	18	-	44	20,700	6.07	34,500	10.11	38,640	11.32	1,267	2,487	3,524
	7	7	15	15	-	44	20,700	6.07	34,500	10.11	38,640	11.32	1,267	2,487	3,524
	5	7	18	15	-	45	20,700	6.07	34,500	10.11	38,640	11.32	1,267	2,487	3,524
	9	9	12	15	-	45	20,700	6.07	34,500	10.11	38,640	11.32	1,267	2,487	3,524
	9	12	12	12	-	45	20,700	6.07	34,500	10.11	38,640	11.32	1,267	2,487	3,524
	9	9	9	18	-	45	20,700	6.07	34,500	10.11	38,640	11.32	1,267	2,487	3,524
	7	7	7	24	-	45	20,700	6.07	34,500	10.11	38,640	11.32	1,267	2,487	3,524
	7	9	12	18	-	46	20,700	6.07	34,500	10.11	38,640	11.32	1,267	2,487	3,524
	7	9	15	15	-	46	20,700	6.07	34,500	10.11	38,640	11.32	1,267	2,487	3,524
	7	12	12	15	-	46	20,700	6.07	34,500	10.11	38,640	11.32	1,267	2,487	3,524
	5	12	12	18	-	47	20,700	6.07	34,500	10.11	38,640	11.32	1,267	2,487	3,524
	7	7	9	24	-	47	20,700	6.07	34,500	10.11	38,640	11.32	1,267	2,487	3,524
	7	7	15	18	-	47	20,700	6.07	34,500	10.11	38,640	11.32	1,267	2,487	3,524
	5	9	15	18	-	47	20,700	6.07	34,500	10.11	38,640	11.32	1,267	2,487	3,524
	5	12	15	15	-	47	20,700	6.07	34,500	10.11	38,640	11.32	1,267	2,487	3,524
	9	9	15	15	-	48	20,700	6.07	34,500	10.11	38,640	11.32	1,267	2,487	3,524
	12	12	12	12	-	48	20,700	6.07	34,500	10.11	38,640	11.32	1,267	2,487	3,524
	9	9	12	18	-	48	20,700	6.07	34,500	10.11	38,640	11.32	1,267	2,487	3,524

Note
 1. Capacities are based on the following conditions :
 - Cooling : Indoor Ambient Temp. 27°CDB / 19°CWB, Outdoor Ambient Temp. 35°CDB / 24°CWB
 - Heating : Indoor Ambient Temp. 20°CDB / 15°CWB, Outdoor Ambient Temp. 7°CDB / 6°CWB
 - Interconnected piping is standard length and difference of Elevation (Outdoor - Indoor Unit) is 0 m.
 2. At least two indoor units should be connected. And minimum limit of combination ratio is 40% approximately for rated capacity of outdoor unit.
 3. Don't exceed the maximum connectable indoor units number, it can be found in Specifications or combination table of outdoor unit model.



MU5R30

OPERATION	HEATING														
	INDOOR UNIT OPERATING (CAPACITY INDEX, kBtu/h)						TOTAL CAPACITY						INPUT(W)		
	UNIT-A	UNIT-B	UNIT-C	UNIT-D	UNIT-E	TOTAL	MIN. Btu/h	kW	RATED Btu/h	kW	MAX. Btu/h	kW	MIN.	RATED	MAX.
	5	5	5	5	5	25	18,000	5.28	30,000	8.79	36,000	10.55	1,025	1,824	2,700
	5	5	5	5	7	27	19,440	5.70	32,400	9.50	38,880	11.40	1,111	1,997	3,096
	5	5	5	5	9	29	20,700	6.07	34,500	10.11	41,400	12.13	1,198	2,149	3,477
	5	5	5	7	7	29	20,700	6.07	34,500	10.11	41,400	12.13	1,198	2,149	3,477
	5	5	5	7	9	31	20,700	6.07	34,500	10.11	41,400	12.13	1,198	2,149	3,477
	5	5	5	7	7	31	20,700	6.07	34,500	10.11	41,400	12.13	1,198	2,149	3,477
	5	5	5	5	12	32	20,700	6.07	34,500	10.11	41,400	12.13	1,198	2,149	3,477
	5	5	5	9	9	33	20,700	6.07	34,500	10.11					



MU5R40

OPERATION	COOLING														
	INDOOR UNIT OPERATING (CAPACITY INDEX, kBtu/h)						TOTAL CAPACITY						INPUT(W)		
	UNIT-A	UNIT-B	UNIT-C	UNIT-D	UNIT-E	TOTAL	MIN.		RATED		MAX.		MIN.	RATED	MAX.
						Btu/h	kW	Btu/h	kW	Btu/h	kW				
2 UNIT	5	5	-	-	-	10	9,500	2.78	10,000	2.93	15,700	4.60	641	720	1,529
	5	7	-	-	-	12	9,948	2.92	12,000	3.52	17,293	5.07	710	977	1,796
	5	9	-	-	-	14	10,397	3.05	14,000	4.10	18,886	5.54	770	1,243	2,062
	7	7	-	-	-	14	10,397	3.05	14,000	4.10	18,886	5.54	770	1,243	2,062
	7	9	-	-	-	16	10,845	3.18	16,000	4.69	20,479	6.00	839	1,500	2,339
	5	12	-	-	-	17	11,069	3.24	17,000	4.98	21,276	6.24	868	1,638	2,467
	9	9	-	-	-	18	11,293	3.31	18,000	5.28	22,072	6.47	908	1,766	2,605
	7	12	-	-	-	19	11,517	3.38	19,000	5.57	22,869	6.70	937	1,895	2,743
	5	15	-	-	-	20	11,741	3.44	20,000	5.86	23,666	6.94	977	2,023	2,871
	9	12	-	-	-	21	11,966	3.51	21,000	6.15	24,462	7.17	1,006	2,161	3,010
	7	15	-	-	-	22	12,190	3.57	22,000	6.45	25,259	7.40	1,036	2,289	3,138
	5	18	-	-	-	23	12,414	3.64	23,000	6.74	26,055	7.64	1,076	2,418	3,276
	9	15	-	-	-	24	12,638	3.70	24,000	7.03	26,852	7.87	1,105	2,546	3,414
	12	12	-	-	-	24	12,638	3.70	24,000	7.03	26,852	7.87	1,105	2,546	3,414
	7	18	-	-	-	25	12,862	3.77	25,000	7.33	27,648	8.10	1,135	2,684	3,542
	9	18	-	-	-	27	13,310	3.90	27,000	7.91	29,241	8.57	1,204	2,940	3,819
	12	15	-	-	-	27	13,310	3.90	27,000	7.91	29,241	8.57	1,204	2,940	3,819
	5	24	-	-	-	29	13,759	4.03	29,000	8.50	30,834	9.04	1,273	3,207	4,085
	12	18	-	-	-	30	13,983	4.10	30,000	8.79	31,631	9.27	1,302	3,335	4,213
	15	15	-	-	-	30	13,983	4.10	30,000	8.79	31,631	9.27	1,302	3,335	4,213
	7	24	-	-	-	31	14,207	4.16	31,000	9.09	32,428	9.50	1,332	3,463	4,352
	9	24	-	-	-	33	14,655	4.30	33,000	9.67	34,021	9.97	1,401	3,730	4,618
	15	18	-	-	-	33	14,655	4.30	33,000	9.67	34,021	9.97	1,401	3,730	4,618
	18	18	-	-	-	36	15,328	4.49	36,000	10.55	36,410	10.67	1,500	4,115	5,023
12	24	-	-	-	36	15,328	4.49	36,000	10.55	36,410	10.67	1,500	4,115	5,023	
15	24	-	-	-	39	16,000	4.69	38,200	11.20	38,800	11.37	1,599	4,509	5,427	
18	24	-	-	-	42	16,000	4.69	38,200	11.20	38,800	11.37	1,599	4,509	5,427	
24	24	-	-	-	48	16,000	4.69	38,200	11.20	38,800	11.37	1,599	4,509	5,427	
3 UNIT	5	5	5	-	-	15	12,500	3.66	15,000	4.40	23,000	6.74	780	937	2,191
	5	5	7	-	-	17	13,208	3.87	17,000	4.98	24,517	7.19	858	1,164	2,447
	5	5	9	-	-	19	13,917	4.08	19,000	5.57	26,033	7.63	947	1,391	2,714
	5	7	7	-	-	19	13,917	4.08	19,000	5.57	26,033	7.63	947	1,391	2,714
	7	7	7	-	-	21	14,625	4.29	21,000	6.15	27,550	8.07	1,026	1,628	2,970
	5	7	9	-	-	21	14,625	4.29	21,000	6.15	27,550	8.07	1,026	1,628	2,970
	5	5	12	-	-	22	14,979	4.39	22,000	6.45	28,308	8.30	1,076	1,737	3,098
	5	5	9	-	-	23	15,333	4.49	23,000	6.74	29,067	8.52	1,115	1,855	3,237
	7	7	9	-	-	23	15,333	4.49	23,000	6.74	29,067	8.52	1,115	1,855	3,237
	5	7	12	-	-	24	15,688	4.60	24,000	7.03	29,825	8.74	1,154	1,964	3,365
	5	5	15	-	-	25	16,042	4.70	25,000	7.33	30,583	8.96	1,194	2,082	3,493
	5	9	9	-	-	25	16,042	4.70	25,000	7.33	30,583	8.96	1,194	2,082	3,493
	5	9	12	-	-	26	16,396	4.81	26,000	7.62	31,342	9.19	1,243	2,200	3,621
	7	7	12	-	-	26	16,396	4.81	26,000	7.62	31,342	9.19	1,243	2,200	3,621
	5	7	15	-	-	27	16,750	4.91	27,000	7.91	32,100	9.41	1,283	2,309	3,759
	9	9	9	-	-	27	16,750	4.91	27,000	7.91	32,100	9.41	1,283	2,309	3,759
	5	5	18	-	-	28	17,104	5.01	28,000	8.21	32,858	9.63	1,322	2,427	3,888
	7	9	12	-	-	28	17,104	5.01	28,000	8.21	32,858	9.63	1,322	2,427	3,888
	5	9	15	-	-	29	17,458	5.12	29,000	8.50	33,617	9.85	1,362	2,536	4,016
	5	12	12	-	-	29	17,458	5.12	29,000	8.50	33,617	9.85	1,362	2,536	4,016
	7	7	15	-	-	29	17,458	5.12	29,000	8.50	33,617	9.85	1,362	2,536	4,016
	5	7	18	-	-	30	17,813	5.22	30,000	8.79	34,375	10.07	1,401	2,654	4,154
	9	9	12	-	-	30	17,813	5.22	30,000	8.79	34,375	10.07	1,401	2,654	4,154
	7	9	15	-	-	31	18,167	5.32	31,000	9.09	35,133	10.30	1,451	2,773	4,282
	5	7	12	-	-	31	18,167	5.32	31,000	9.09	35,133	10.30	1,451	2,773	4,282
	5	9	18	-	-	32	18,521	5.43	32,000	9.38	35,892	10.52	1,490	2,881	4,411
	7	7	12	-	-	32	18,521	5.43	32,000	9.38	35,892	10.52	1,490	2,881	4,411
	5	12	15	-	-	32	18,521	5.43	32,000	9.38	35,892	10.52	1,490	2,881	4,411
	7	7	18	-	-	32	18,521	5.43	32,000	9.38	35,892	10.52	1,490	2,881	4,411
	9	9	15	-	-	33	18,875	5.53	33,000	9.67	36,650	10.74	1,529	3,000	4,539
	9	12	12	-	-	33	18,875	5.53	33,000	9.67	36,650	10.74	1,529	3,000	4,539
	5	5	24	-	-	34	19,229	5.64	34,000	9.96	37,408	10.96	1,569	3,108	4,677
	7	9	18	-	-	34	19,229	5.64	34,000	9.96	37,408	10.96	1,569	3,108	4,677
	7	12	15	-	-	34	19,229	5.64	34,000	9.96	37,408	10.96	1,569	3,108	4,677
	5	12	18	-	-	35	19,583	5.74	35,000	10.26	38,167	11.19	1,618	3,227	4,805
	5	15	15	-	-	35	19,583	5.74	35,000	10.26	38,167	11.19	1,618	3,227	4,805
	5	7	24	-	-	36	19,938	5.84	36,000	10.55	38,925	11.41	1,658	3,345	4,934
	9	9	18	-	-	36	19,938	5.84	36,000	10.55	38,925	11.41	1,658	3,345	4,934
	9	12	15	-	-	36	19,938	5.84	36,000	10.55	38,925	11.41	1,658	3,345	4,934
	12	12	12	-	-	36	19,938	5.84	36,000	10.55	38,925	11.41	1,658	3,345	4,934
	7	12	18	-	-	37	20,292	5.95	37,000	10.84	39,683	11.63	1,697	3,454	5,062
	5	7	15	-	-	37	20,292	5.95	37,000	10.84	39,683	11.63	1,697	3,454	5,062
	5	9	24	-	-	38	20,646	6.05	38,000	11.14	40,442	11.85	1,737	3,572	5,200
	5	15	18	-	-	38	20,646	6.05	38,000	11.14	40,442	11.85	1,737	3,572	5,200
	7	7	24	-	-	38	20,646	6.05	38,000	11.14	40,442	11.85	1,737	3,572	5,200
	9	12	18	-	-	39	21,000	6.15	38,200	11.20	41,200	12.08	1,786	3,690	5,328
	9	15	15	-	-	39	21,000	6.15	38,200	11.20	41,200	12.08	1,786	3,690	5,328
	12	12	15	-	-	39	21,000	6.15	38,200	11.20	41,200	12.08	1,786	3,690	5,328
7	9	24	-	-	40	21,000	6.15	38,200	11.20	41,200	12.08	1,786	3,690	5,328	
7	15	18	-	-	40	21,000	6.15	38,200	11.20	41,200	12.08	1,786	3,690	5,328	
5	12	24	-	-	41	21,000	6.15	38,200	11.20	41,200	12.08	1,786	3,690	5,328	
9	18	18	-	-	41	21,000	6.15	38,200	11.20	41,200	12.08	1,786	3,690	5,328	
9	9	24	-	-	42	21,000	6.15	38,200	11.20	41,200	12.08	1,786	3,690	5,328	
9	15	18	-	-	42	21,000	6.15	38,200	11.20	41,200	12.08	1,786	3,690	5,328	
12	12	18	-	-	42	21,000	6.15	38,200	11.20	41,200	12.08	1,786	3,690	5,328	
12	15	15	-	-	42	21,000	6.15	38,200	11.20	41,200	12.08	1,786	3,690	5,328	
7	12	24	-	-	43	21,000	6.15	38,200	11.20	41,200	12.08	1,786	3,690	5,328	
7	18	18	-	-	43	21,000	6.15	38,200	11.20	41,200	12.08	1,786	3,690	5,328	
5	15	24	-	-	44	21,000	6.15	38,200	11.20	41,200	12.08	1,786	3,690	5,328	
9	12	24	-	-	45	21,000	6.15	38,200	11.20	41,200	12.08	1,786	3,690	5,328	
9	18	18	-	-	45	21,000	6.15	38,200	11.20	41,200	12.08	1,786	3,690	5,328	

Note
 1. Capacities are based on the following conditions:
 - Cooling : Indoor Ambient Temp. 27°CDB / 19°CWB, Outdoor Ambient Temp. 35°CDB / 24°CWB
 - Heating : Indoor Ambient Temp. 20°CDB / 15°CWB, Outdoor Ambient Temp. 7°CDB / 6°CWB
 - Interconnected piping is standard length and difference of Elevation (Outdoor - Indoor Unit) is 0 m.
 2. At least two indoor units should be connected. And minimum limit of combination ratio is 40% approximately for rated capacity of outdoor unit.
 3. Don't exceed the maximum connectable indoor units number, it can be found in Specifications



MU5R40

OPERATION	COOLING														
	INDOOR UNIT OPERATING (CAPACITY INDEX, kBtu/h)						TOTAL CAPACITY						INPUT(W)		
	UNIT-A	UNIT-B	UNIT-C	UNIT-D	UNIT-E	TOTAL	MIN.		RATED		MAX.		MIN.	RATED	MAX.
						Btu/h	kW	Btu/h	kW	Btu/h	kW	MIN.	RATED	MAX.	
4 UNIT	7	9	9	18	-	43	27,500	8.06	38,200	11.20	45,600	13.36	2,052	3,246	5,328
	7	9	12	15	-	43	27,500	8.06	38,200	11.20	45,600	13.36	2,052	3,246	5,328
	7	12	12	12	-	43	27,500	8.06	38,200	11.20	45,600	13.36	2,052	3,246	5,328
	5	9	12	18	-	44	27,500	8.06	38,200	11.20	45,600	13.36	2,052	3,246	5,328
	5	9	15	15	-	44	27,500	8.06	38,200	11.20	45,600	13.36	2,052	3,246	5,328
	5	12	12	15	-	44	27,500	8.06	38,200	11.20	45,600	13.36	2,052	3,246	5,328
	7	7	12	18	-	44	27,500	8.06	38,200	11.20	45,600	13.36	2,052	3,246	5,328
	7	7	15	15	-	44	27,500	8.06	38,200	11.20	45,600	13.36	2,052	3,246	5,328
	5	7	9	24	-	45	27,500	8.06	38,200	11.20	45,600	13.36	2,052	3,246	5,328
	5	7	15	18	-	45	27,500	8.06	38,200	11.20	45,600	13.36	2,052	3,246	5,328
	7	7	7	24	-	45	27,500	8.06	38,200	11.20	45,600	13.36	2,052	3,246	5,328
	9	9	9	18	-	45	27,500	8.06	38,200	11.20	45,600	13.36	2,052	3,246	5,328
	9	9	12	15	-	45	27,500	8.06	38,200	11.20	45,600	13.36	2,052	3,246	5,328
	9	9	12	12	-	45	27,500	8.06	38,200	11.20	45,600	13.36	2,052	3,246	5,328
	5	5	12	24	-	46	27,500	8.06	38,200	11.20	45,600	13.36	2,052	3,246	5,328
	5	5	18	18	-	46	27,500	8.06	38,200	11.20	45,600	13.36	2,052	3,246	5,328
	7	9	12	18	-	46	27,500	8.06	38,200	11.20	45,600	13.36	2,052	3,246	5,328
	7	9	15	15	-	46	27,500	8.06	38,200	11.20	45,600	13.36	2,052	3,246	5,328
	7	12	12	15	-	46	27,500	8.06	38,200	11.20	45,600	13.36	2,052	3,246	5,328
	5	9	9	24	-	47	27,500	8.06	38,200	11.20	45,600	13.36	2,052	3,246	5,328
	5	9	15	18	-	47	27,500	8.06	38,200	11.20	45,600	13.36	2,052	3,246	5,328
	5	12	12	18	-	47	27,500	8.06	38,200	11.20	45,600	13.36	2,052	3,246	5,328
	5	12	15	15	-	47	27,500	8.06	38,200	11.20	45,600	13.36	2,052	3,246	5,328
	7	7	9	24	-	47	27,500	8.06	38,200	11.20	45,600	13.36	2,052	3,246	5,328
	7	7	15	18	-	47	27,500	8.06	38,200	11.20	45,600	13.36	2,052	3,246	5,328
	5	7	12	24	-	48	27,500	8.06	38,200	11.20	45,600	13.36	2,052	3,246	5,328
	9	9	12	18	-	48	27,500	8.06	38,200	11.20	45,600	13.36	2,052	3,246	5,328
	9	9	15	15	-	48	27,500	8.06	38,200	11.20	45,600	13.36	2,052	3,246	5,328
	9	12	12	15	-	48	27,500	8.06	38,200	11.20	45,600	13.36	2,052	3,246	5,328
	12	12	12	12	-	48	27,500	8.06	38,200	11.20	45,600	13.36	2,052	3,246	5,328
	5	5	15	24	-	49	27,500	8.06	38,200	11.20	45,600	13.36	2,052	3,246	5,328
	7	9	9	24	-	49	27,500	8.06	38,200	11.20	45,600	13.36	2,052	3,246	5,328
	7	9	15	18	-	49	27,500	8.06	38,200	11.20	45,600	13.36	2,052	3,246	5,328
	7	12	12	18	-	49	27,500	8.06	38,200	11.20	45,600	13.36	2,052	3,246	5,328
	7	12	15	15	-	49	27,500	8.06	38,200	11.20	45,600	13.36	2,052	3,246	5,328
	5	9	12	24	-	50	27,500	8.06	38,200	11.20	45,600	13.36	2,052	3,246	5,328
	5	9	18	18	-	50	27,500	8.06	38,200	11.20	45,600	13.36	2,052	3,246	5,328
	5	12	15	18	-	50	27,500	8.06	38,200	11.20	45,600	13.36	2,052	3,246	5,328
	5	15	15	15	-	50	27,500	8.06	38,200	11.20	45,600	13.36	2,052	3,246	5,328
	7	7	12	24	-	50	27,500	8.06	38,200	11.20	45,600	13.36	2,052	3,246	5,328
	7	7	18	18	-	50	27,500	8.06	38,200	11.20	45,600	13.36	2,052	3,246	5,328
	5	7	15	24	-	51	27,500	8.06	38,200	11.20	45,600	13.36	2,052	3,246	5,328
	9	9	9	24	-	51	27,500	8.06	38,200	11.20	45,600	13.36	2,052	3,246	5,328
	9	9	15	18	-	51	27,500	8.06	38,200	11.20	45,600	13.36	2,052	3,246	5,328
	9	12	12	18	-	51	27,500	8.06	38,200	11.20	45,600	13.36	2,052	3,246	5,328
	12	12	12	15	-	51	27,500	8.06	38,200	11.20	45,600	13.36	2,052	3,246	5,328
	5	5	18	24	-	52	27,500	8.06	38,200	11.20	45,600	13.36	2,052	3,246	5,328
	7	9	12	24	-	52	27,500	8.06	38,200	11.20	45,600	13.36	2,052	3,246	5,328
	7	9	18	18	-	52	27,500	8.06	38,200	11.20	45,600	13.36	2,052	3,246	5,328
	7	12	15	18	-	52	27,500	8.06	38,200	11.20	45,600	13.36	2,052	3,246	5,328
7	15	15	15	-	52	27,500	8.06	38,200	11.20	45,600	13.36	2,052	3,246	5,328	
5	9	15	24	-	53	27,500	8.06	38,200	11.20	45,600	13.36	2,052	3,246	5,328	
5	12	12	24	-	53	27,500	8.06	38,200	11.20	45,600	13.36	2,052	3,246	5,328	
5	12	18	18	-	53	27,500	8.06	38,200	11.20	45,600	13.36	2,052	3,246	5,328	
5	15	15	18	-	53	27,500	8.06	38,200	11.20	45,600	13.36	2,052	3,246	5,328	
7	7	15	24	-	53	27,500	8.06	38,200	11.20	45,600	13.36	2,052	3,246	5,328	
9	9	12	24	-	54	27,500	8.06	38,200	11.20	45,600	13.36	2,052	3,246	5,328	
9	9	18	18	-	54	27,500	8.06	38,200	11.20	45,600	13.36	2,052	3,246	5,328	
9	12	15	18	-	54	27,500	8.06	38,200	11.20	45,600	13.36	2,052	3,246	5,328	
9	15	15	15	-	54	27,500	8.06	38,200	11.20	45,600	13.36	2,052	3,246	5,328	
12	12	12	18	-	54	27,500	8.06	38,200	11.20	45,600	13.36	2,052	3,246	5,328	
12	12	15	15	-	54	27,500	8.06	38,200	11.20	45,600	13.36	2,052	3,246	5,328	
7	9	15	24	-	55	27,500	8.06	38,200	11.20	45,600	13.36	2,052	3,246	5,328	
7	12	12	24	-	55	27,500	8.06	38,200	11.20	45,600	13.36	2,052	3,246	5,328	
7	12	18	18	-	55	27,500	8.06	38,200	11.20	45,600	13.36	2,052	3,246	5,328	
5	9	18	24	-	56	27,500	8.06	38,200	11.20	45,600	13.36	2,052	3,246	5,328	
5	12	15	24	-	56	27,500	8.06	38,200	11.20	45,600	13.36	2,052	3,246	5,328	
5	15	18	18	-	56	27,500	8.06	38,200	11.20	45,600	13.36	2,052	3,246	5,328	
7	7	18	24	-	56	27,500	8.06	38,200	11.20	45,600	13.36	2,052	3,246	5,328	
9	9	15	24	-	57	27,500	8.06	38,200	11.20	45,600	13.36	2,052	3,246	5,328	
9	9	15	18	-	51	27,500	8.06	38,200	11.20	45,600	13.36	2,080	3,290	5,400	
9	12	12	18	-	51	27,500	8.06	38,200	11.20	45,600	13.36	2,080	3,290	5,400	
9	12	15	15	-	51	27,500	8.06	38,200	11.20	45,600	13.36	2,080	3,290	5,400	
12	12	12	15	-	51	27,500	8.06	38,200	11.20	45,600	13.36	2,080	3,290	5,400	
5	5	18	24	-	52	27,500	8.06	38,200	11.20	45,600	13.36	2,080	3,290	5,400	
7	9	12	24	-	52	27,500	8.06	38,200	11.20	45,600	13.36	2,080	3,290	5,400	
7	9	18	18	-	52	27,500	8.06	38,200	11.20	45,600	13.36	2,080	3,290	5,400	
7	12	15	18	-	52	27,500	8.06	38,200	11.20	45,600	13.36	2,080	3,290	5,400	
7	15	15	15	-	52	27,500	8.06	38,200	11.20	45,600	13.36	2,080	3,290	5,400	
5	9	15	24	-	53	27,500	8.06	38,200	11.20	45,600	13.36	2,080	3,290	5,400	
5	12	12	24	-	53	27,500	8.06	38,200	11.20	45,600	13.36	2,080	3,290	5,400	
5	12	18	18	-	53	27,500	8.06	38,200	11.20	45,600	13.36	2,080	3,290	5,400	
5	15	15	18	-	53	27,500	8.06	38,200	11.20	45,600	13.36	2,080	3,290	5,400	

Note

- Capacities are based on the following conditions :
 - Cooling : Indoor Ambient Temp. 27°CDB / 19°CWB, Outdoor Ambient Temp. 35°CDB / 24°CWB
 - Heating : Indoor Ambient Temp. 20°CDB / 15°CWB, Outdoor Ambient Temp. 7°CDB / 6°CWB
 - Interconnected piping is standard length and difference of Elevation (Outdoor - Indoor Unit) is 0 m.
- At least two indoor units should be connected. And minimum limit of combination ratio is 40% approximately for rated capacity of outdoor unit.
- Don't exceed the maximum connectable indoor units number, it can be found in Specifications or combination table of outdoor unit model.



MU5R40

OPERATION	COOLING														
	INDOOR UNIT OPERATING (CAPACITY INDEX, kBtu/h)						TOTAL CAPACITY						INPUT(W)		
	UNIT-A	UNIT-B	UNIT-C	UNIT-D	UNIT-E	TOTAL	MIN.		RATED		MAX.		MIN.	RATED	MAX.
					</										



MU5R40

OPERATION	COOLING																	
	INDOOR UNIT OPERATING (CAPACITY INDEX, kBtu/h)						TOTAL CAPACITY						INPUT(W)					
	UNIT-A	UNIT-B	UNIT-C	UNIT-D	UNIT-E	TOTAL	MIN.		RATED		MAX.		MIN.		RATED		MAX.	
						Btu/h	kW	Btu/h	kW	Btu/h	kW	MIN.	RATED	MAX.	MIN.	RATED	MAX.	
	5	5	5	5	5	25	21,000	6.15	25,000	7.33	36,000	10.55	1,421	1,845	3,049			
	5	5	5	5	7	27	22,000	6.45	27,000	7.91	38,000	11.14	1,451	1,993	3,375			
	5	5	5	5	9	29	23,000	6.74	29,000	8.50	40,000	11.72	1,539	2,151	3,700			
	5	5	5	7	7	29	23,000	6.74	29,000	8.50	40,000	11.72	1,539	2,151	3,700			
	5	5	5	7	9	31	24,000	7.03	31,000	9.09	42,000	12.31	1,618	2,299	4,026			
	5	5	5	7	7	31	24,000	7.03	31,000	9.09	42,000	12.31	1,618	2,299	4,026			
	5	5	5	5	12	32	24,500	7.18	32,000	9.38	43,000	12.60	1,668	2,378	4,194			
	5	5	5	5	9	33	25,000	7.33	33,000	9.67	44,000	12.90	1,707	2,457	4,352			
	5	5	5	7	7	33	25,000	7.33	33,000	9.67	44,000	12.90	1,707	2,457	4,352			
	5	5	5	7	9	33	25,000	7.33	33,000	9.67	44,000	12.90	1,707	2,457	4,352			
	5	5	5	5	15	35	26,000	7.62	35,000	10.26	46,000	13.48	1,786	2,605	4,677			
	5	5	5	7	9	35	26,000	7.62	35,000	10.26	46,000	13.48	1,786	2,605	4,677			
	5	5	5	7	9	35	26,000	7.62	35,000	10.26	46,000	13.48	1,786	2,605	4,677			
	5	5	5	5	12	36	26,500	7.77	36,000	10.55	47,000	13.77	1,825	2,684	4,845			
	5	5	5	7	12	36	26,500	7.77	36,000	10.55	47,000	13.77	1,825	2,684	4,845			
	5	5	5	7	15	37	27,000	7.91	37,000	10.84	48,000	14.07	1,875	2,763	5,003			
	5	5	5	9	9	37	27,000	7.91	37,000	10.84	48,000	14.07	1,875	2,763	5,003			
	5	5	5	7	9	37	27,000	7.91	37,000	10.84	48,000	14.07	1,875	2,763	5,003			
	5	5	5	7	9	37	27,000	7.91	37,000	10.84	48,000	14.07	1,875	2,763	5,003			
	5	5	5	5	18	38	27,500	8.06	38,000	11.14	49,000	14.36	1,914	2,832	5,171			
	5	5	5	7	9	38	27,500	8.06	38,000	11.14	49,000	14.36	1,914	2,832	5,171			
	5	5	5	7	12	38	27,500	8.06	38,000	11.14	49,000	14.36	1,914	2,832	5,171			
	5	5	5	5	15	39	28,000	8.21	38,200	11.20	50,000	14.65	1,954	2,911	5,328			
	5	5	5	5	12	39	28,000	8.21	38,200	11.20	50,000	14.65	1,954	2,911	5,328			
	5	5	5	7	15	39	28,000	8.21	38,200	11.20	50,000	14.65	1,954	2,911	5,328			
	5	5	5	7	9	39	28,000	8.21	38,200	11.20	50,000	14.65	1,954	2,911	5,328			
	5	5	5	7	9	39	28,000	8.21	38,200	11.20	50,000	14.65	1,954	2,911	5,328			
	5	5	5	5	18	40	28,000	8.21	38,200	11.20	50,000	14.65	1,954	2,911	5,328			
	5	5	5	7	12	40	28,000	8.21	38,200	11.20	50,000	14.65	1,954	2,911	5,328			
	5	5	5	7	9	40	28,000	8.21	38,200	11.20	50,000	14.65	1,954	2,911	5,328			
	5	5	5	7	12	41	28,000	8.21	38,200	11.20	50,000	14.65	1,954	2,911	5,328			
	5	5	5	7	15	41	28,000	8.21	38,200	11.20	50,000	14.65	1,954	2,911	5,328			
	5	5	5	9	9	41	28,000	8.21	38,200	11.20	50,000	14.65	1,954	2,911	5,328			
	5	5	5	7	9	41	28,000	8.21	38,200	11.20	50,000	14.65	1,954	2,911	5,328			
	5	5	5	5	18	42	28,000	8.21	38,200	11.20	50,000	14.65	1,954	2,911	5,328			
	5	5	5	5	12	42	28,000	8.21	38,200	11.20	50,000	14.65	1,954	2,911	5,328			
	5	5	5	7	18	42	28,000	8.21	38,200	11.20	50,000	14.65	1,954	2,911	5,328			
	5	5	5	7	9	42	28,000	8.21	38,200	11.20	50,000	14.65	1,954	2,911	5,328			
	5	5	5	7	12	42	28,000	8.21	38,200	11.20	50,000	14.65	1,954	2,911	5,328			
	5	5	5	9	12	43	28,000	8.21	38,200	11.20	50,000	14.65	1,954	2,911	5,328			
	5	5	5	9	12	43	28,000	8.21	38,200	11.20	50,000	14.65	1,954	2,911	5,328			
	5	5	5	9	12	43	28,000	8.21	38,200	11.20	50,000	14.65	1,954	2,911	5,328			
	5	5	5	9	15	43	28,000	8.21	38,200	11.20	50,000	14.65	1,954	2,911	5,328			
	5	5	5	7	12	43	28,000	8.21	38,200	11.20	50,000	14.65	1,954	2,911	5,328			
	5	5	5	7	15	43	28,000	8.21	38,200	11.20	50,000	14.65	1,954	2,911	5,328			
	5	5	5	9	9	43	28,000	8.21	38,200	11.20	50,000	14.65	1,954	2,911	5,328			
	5	5	5	5	24	44	28,000	8.21	38,200	11.20	50,000	14.65	1,954	2,911	5,328			
	5	5	5	7	18	44	28,000	8.21	38,200	11.20	50,000	14.65	1,954	2,911	5,328			
	5	5	5	7	12	44	28,000	8.21	38,200	11.20	50,000	14.65	1,954	2,911	5,328			
	5	5	5	7	18	44	28,000	8.21	38,200	11.20	50,000	14.65	1,954	2,911	5,328			
	5	5	5	9	12	44	28,000	8.21	38,200	11.20	50,000	14.65	1,954	2,911	5,328			
	5	5	5	7	12	44	28,000	8.21	38,200	11.20	50,000	14.65	1,954	2,911	5,328			
	5	5	5	5	15	45	28,000	8.21	38,200	11.20	50,000	14.65	1,954	2,911	5,328			
	5	5	5	7	15	45	28,000	8.21	38,200	11.20	50,000	14.65	1,954	2,911	5,328			
	5	5	5	9	15	45	28,000	8.21	38,200	11.20	50,000	14.65	1,954	2,911	5,328			
	5	5	5	7	12	45	28,000	8.21	38,200	11.20	50,000	14.65	1,954	2,911	5,328			
	5	5	5	7	15	45	28,000	8.21	38,200	11.20	50,000	14.65	1,954	2,911	5,328			
	5	5	5	9	15	45	28,000	8.21	38,200	11.20	50,000	14.65	1,954	2,911	5,328			
	5	5	5	9	15	46	28,000	8.21	38,200	11.20	50,000	14.65	1,954	2,911	5,328			
	5	5	5	9	12	46	28,000	8.21	38,200	11.20	50,000	14.65	1,954	2,911	5,328			
	5	5	5	9	12	46	28,000	8.21	38,200	11.20	50,000	14.65	1,954	2,911	5,328			
	5	5	5	7	24	46	28,000	8.21	38,200	11.20	50,000	14.65	1,954	2,911	5,328			
	5	5	5	9	18	46	28,000	8.21	38,200	11.20	50,000	14.65	1,954	2,911	5,328			
	5	5	5	7	12	46	28,000	8.21	38,200	11.20	50,000	14.65	1,954	2,911	5,328			
	5	5	5	7	18	46	28,000	8.21	38,200	11.20	50,000	14.65	1,954	2,911	5,328			
	5	5	5	7	12	46	28,000	8.21	38,200	11.20	50,000	14.65	1,954	2,911	5,328			
	5	5	5	9	12	46	28,000	8.21	38,200	11.20	50,000	14.65	1,954	2,911	5,328			
	5	5	5	7	18	46	28,000	8.21	38,200	11.20	50,000	14.65	1,954	2,911	5,328			
	5	5	5	9	12	46	28,000	8.21	38,200	11.20	50,000	14.65	1,954	2,911	5,328			
	5	5	5	9	15	47	28,000	8.21	38,200	11.20	50,000	14.65	1,954	2,911	5,328			
	5	5	5	9	15	47	28,000	8.21	38,200	11.20	50,000	14.65	1,954	2,911	5,328			
	5	5	5	9	12	47	28,000	8.21	38,200	11.20	50,000	14.65	1,954	2,911	5,328			
	5	5	5	9	15	47	28,000	8.21	38,200	11.20	50,000	14.65	1,954	2,911	5,328			
	5	5	5	9	12	47	28,000	8.21	38,200	11.20	50,000	14.65	1,954	2,911	5,328			
	5	5	5	5	24	48	28,000	8.21	38,200	11.20	50,000	14.65	1,954	2,911	5,328			
	5	5	5	5	15	48	28,000	8.21	38,200	11.20	50,000	14.65	1,954	2,911	5,328			
	5	5	5	7	24	48	28,000	8.21	38,200	11.20	50,000	14.65	1,954	2,911	5,328			
	5	5	5	9	18	48	28,000	8.21	38,200	11.20	50,000	14.65	1,954	2,911	5,328			
	5	5	5	9	12	48	28,000	8.21	38,200	11.20	50,000	14.65	1,954	2,911	5,328			



MU5R40

OPERATION	HEATING														
	INDOOR UNIT OPERATING (CAPACITY INDEX, kBtu/h)						TOTAL CAPACITY						INPUT(W)		
	UNIT-A	UNIT-B	UNIT-C	UNIT-D	UNIT-E	TOTAL	MIN.		RATED		MAX.		MIN.	RATED	MAX.
						Btu/h	kW	Btu/h	kW	Btu/h	kW	MIN.	RATED	MAX.	
2 UNIT	5	5	-	-	-	10	11,400	3.34	12,000	3.52	18,840	5.52	627	817	1,502
	5	7	-	-	-	12	11,847	3.47	14,400	4.22	20,851	6.11	694	1,008	1,768
	5	9	-	-	-	14	12,294	3.60	16,800	4.92	22,862	6.70	760	1,198	2,025
	7	7	-	-	-	14	12,294	3.60	16,800	4.92	22,862	6.70	760	1,198	2,025
	7	9	-	-	-	16	12,742	3.73	19,200	5.63	24,873	7.29	827	1,397	2,291
	5	12	-	-	-	17	12,965	3.80	20,400	5.98	25,879	7.58	856	1,492	2,424
	9	9	-	-	-	18	13,189	3.87	21,600	6.33	26,884	7.88	884	1,597	2,557
	7	12	-	-	-	19	13,413	3.93	22,800	6.68	27,890	8.17	922	1,711	2,690
	5	15	-	-	-	20	13,636	4.00	24,000	7.03	28,895	8.47	951	1,816	2,814
	9	12	-	-	-	21	13,860	4.06	25,200	7.39	29,901	8.76	989	1,930	2,947
	7	15	-	-	-	22	14,083	4.13	26,400	7.74	30,906	9.06	1,017	2,044	3,080
	5	18	-	-	-	23	14,307	4.19	27,600	8.09	31,912	9.35	1,055	2,158	3,213
	9	15	-	-	-	24	14,531	4.26	28,800	8.44	32,917	9.65	1,084	2,281	3,346
	12	12	-	-	-	24	14,531	4.26	28,800	8.44	32,917	9.65	1,084	2,281	3,346
	7	18	-	-	-	25	14,754	4.32	30,000	8.79	33,923	9.94	1,112	2,405	3,479
	9	18	-	-	-	27	15,202	4.46	32,400	9.50	35,934	10.53	1,179	2,652	3,745
	12	15	-	-	-	27	15,202	4.46	32,400	9.50	35,934	10.53	1,179	2,652	3,745
	5	24	-	-	-	29	15,649	4.59	34,800	10.20	37,945	11.12	1,245	2,918	4,002
	12	18	-	-	-	30	15,872	4.65	36,000	10.55	38,950	11.42	1,274	3,061	4,135
	15	15	-	-	-	30	15,872	4.65	36,000	10.55	38,950	11.42	1,274	3,061	4,135
	7	24	-	-	-	31	16,096	4.72	37,200	10.90	39,956	11.71	1,312	3,203	4,268
	9	24	-	-	-	33	16,543	4.85	39,600	11.61	41,967	12.30	1,378	3,489	4,534
	15	18	-	-	-	33	16,543	4.85	39,600	11.61	41,967	12.30	1,378	3,489	4,534
	18	18	-	-	-	36	17,214	5.05	42,000	12.31	44,983	13.18	1,473	3,802	4,924
12	24	-	-	-	36	17,214	5.05	42,000	12.31	44,983	13.18	1,473	3,802	4,924	
15	24	-	-	-	39	17,885	5.24	42,700	12.51	48,000	14.07	1,568	3,897	5,323	
18	24	-	-	-	42	17,885	5.24	42,700	12.51	48,000	14.07	1,568	3,897	5,323	
24	24	-	-	-	48	17,885	5.24	42,700	12.51	48,000	14.07	1,568	3,897	5,323	
3 UNIT	5	5	5	-	-	15	15,000	4.40	18,000	5.28	27,600	8.09	751	1,169	2,167
	5	5	7	-	-	17	15,706	4.60	20,400	5.98	29,467	8.64	837	1,350	2,443
	5	5	9	-	-	19	16,412	4.81	22,800	6.68	31,333	9.18	913	1,530	2,700
	5	7	7	-	-	19	16,412	4.81	22,800	6.68	31,333	9.18	913	1,530	2,700
	7	7	7	-	-	21	17,119	5.02	25,200	7.39	33,200	9.73	998	1,711	2,956
	5	5	9	-	-	21	17,119	5.02	25,200	7.39	33,200	9.73	998	1,711	2,956
	5	5	12	-	-	22	17,472	5.12	26,400	7.74	34,133	10.00	1,036	1,806	3,089
	5	5	9	-	-	22	17,472	5.12	26,400	7.74	34,133	10.00	1,036	1,806	3,089
	7	7	9	-	-	23	17,825	5.22	27,600	8.09	35,067	10.28	1,074	1,901	3,213
	5	7	9	-	-	23	17,825	5.22	27,600	8.09	35,067	10.28	1,074	1,901	3,213
	5	5	15	-	-	25	18,531	5.43	30,000	8.79	36,933	10.82	1,160	2,101	3,470
	7	9	9	-	-	25	18,531	5.43	30,000	8.79	36,933	10.82	1,160	2,101	3,470
	5	9	12	-	-	26	18,884	5.53	31,200	9.14	37,867	11.10	1,198	2,196	3,603
	7	7	12	-	-	26	18,884	5.53	31,200	9.14	37,867	11.10	1,198	2,196	3,603
	5	7	15	-	-	27	19,237	5.64	32,400	9.50	38,800	11.37	1,236	2,300	3,726
	9	9	9	-	-	27	19,237	5.64	32,400	9.50	38,800	11.37	1,236	2,300	3,726
	5	5	18	-	-	28	19,590	5.74	33,600	9.85	39,733	11.65	1,283	2,405	3,859
	7	9	12	-	-	28	19,590	5.74	33,600	9.85	39,733	11.65	1,283	2,405	3,859
	5	9	15	-	-	29	19,943	5.85	34,800	10.20	40,667	11.92	1,321	2,510	3,983
	5	5	12	-	-	29	19,943	5.85	34,800	10.20	40,667	11.92	1,321	2,510	3,983
	7	7	15	-	-	29	19,943	5.85	34,800	10.20	40,667	11.92	1,321	2,510	3,983
	5	7	18	-	-	30	20,296	5.95	36,000	10.55	41,600	12.19	1,359	2,614	4,116
	9	9	12	-	-	30	20,296	5.95	36,000	10.55	41,600	12.19	1,359	2,614	4,116
	7	9	15	-	-	31	20,649	6.05	37,200	10.90	42,533	12.47	1,397	2,728	4,249
	5	9	18	-	-	31	20,649	6.05	37,200	10.90	42,533	12.47	1,397	2,728	4,249
	5	12	15	-	-	32	21,002	6.16	38,400	11.25	43,467	12.74	1,445	2,842	4,373
	7	7	18	-	-	32	21,002	6.16	38,400	11.25	43,467	12.74	1,445	2,842	4,373
	5	9	15	-	-	32	21,002	6.16	38,400	11.25	43,467	12.74	1,445	2,842	4,373
	9	9	15	-	-	33	21,356	6.26	39,600	11.61	44,400	13.01	1,483	2,947	4,506
	5	9	12	-	-	33	21,356	6.26	39,600	11.61	44,400	13.01	1,483	2,947	4,506
	7	9	18	-	-	34	21,709	6.36	40,800	11.96	45,333	13.29	1,521	3,061	4,629
	5	5	24	-	-	34	21,709	6.36	40,800	11.96	45,333	13.29	1,521	3,061	4,629
	7	12	15	-	-	34	21,709	6.36	40,800	11.96	45,333	13.29	1,521	3,061	4,629
	5	12	18	-	-	35	22,062	6.47	42,000	12.31	46,267	13.56	1,559	3,175	4,762
	5	15	15	-	-	35	22,062	6.47	42,000	12.31	46,267	13.56	1,559	3,175	4,762
	5	7	24	-	-	36	22,415	6.57	42,000	12.31	47,200	13.83	1,606	3,175	4,886
	9	9	18	-	-	36	22,415	6.57	42,000	12.31	47,200	13.83	1,606	3,175	4,886
	5	9	15	-	-	36	22,415	6.57	42,000	12.31	47,200	13.83	1,606	3,175	4,886
	12	12	12	-	-	36	22,415	6.57	42,000	12.31	47,200	13.83	1,606	3,175	4,886
	7	12	18	-	-	37	22,768	6.67	42,000	12.31	48,133	14.11	1,644	3,175	5,019
	7	15	15	-	-	37	22,768	6.67	42,000	12.31	48,133	14.11	1,644	3,175	5,019
	5	9	24	-	-	38	23,121	6.78	42,000	12.31	49,067	14.38	1,683	3,175	5,143
	5	15	18	-	-	38	23,121	6.78	42,000	12.31	49,067	14.38	1,683	3,175	5,143
	7	7	24	-	-	38	23,121	6.78	42,000	12.31	49,067	14.38	1,683	3,175	5,143
	9	12	18	-	-	39	23,474	6.88	42,700	12.51	50,000	14.65	1,721	3,260	5,276
	9	15	15	-	-	39	23,474	6.88	42,700	12.51	50,000	14.65	1,721	3,260	5,276
	12	12	15	-	-	39	23,474	6.88	42,700	12.51	50,000	14.65	1,721	3,260	5,276
	7	9	24	-	-	40	23,474	6.88	42,700	12.51	50,000	14.65	1,721	3,260	5,276
7	15	18	-	-	40	23,474	6.88	42,700	12.51	50,000	14.65	1,721	3,260	5,276	
5	12	24	-	-	41	23,474	6.88	42,700	12.51	50,000	14.65	1,721	3,260	5,276	
5	18	18	-	-	41	23,474	6.88	42,700	12.51	50,000	14.65	1,721	3,260	5,276	
9	9	24	-	-	42	23,474	6.88	42,700	12.51	50,000	14.65	1,721	3,260	5,276	
9	15	18	-	-	42	23,474	6.88	42,700	12.51	50,000	14.65	1,721	3,260	5,276	
12	12	18	-	-	42	23,474	6.88	42,700	12.51	50,000	14.65	1,721	3,260	5,276	
12	15	15	-	-	42	23,474	6.88	42,700	12.51	50,000	14.65	1,721	3,260	5,276	
7	12	24	-	-	43	23,474	6.88	42,700	12.51	50,000	14.65	1,721	3,260	5,276	
7	18	18	-	-	43	23,474	6.88	42,700	12.51	50,000	14.65	1,721	3,260	5,276	
5	15	24	-	-	44	23,474	6.88	42,700	12.51	50,000	14.65	1,721	3,260	5,276	
9	12	24	-	-	45	23,474	6.88	42,700	12.51	50,000	14.65	1,721	3,260	5,276	
9	18	18	-	-	45	23,474	6.88	42,700	12.51	50,000	14.65	1,721	3,260	5,276	

Note

- Capacities are based on the following conditions:
 - Cooling : Indoor Ambient Temp. 27°CDB / 19°CWB, Outdoor Ambient Temp. 35°CDB / 24°CWB
 - Heating : Indoor Ambient Temp. 20°CDB / 15°CWB, Outdoor Ambient Temp. 7°CDB / 6°CWB
 - Interconnected piping is standard length and difference of Elevation (Outdoor - Indoor Unit) is 0 m.
- At least two indoor units should be connected. And minimum limit of combination ratio is 40% approximately for rated capacity of outdoor unit.
- Don't exceed the maximum connectable indoor units number, it can be found in Specifications or combination table of outdoor unit model.



MU5R40

OPERATION	HEATING														
	INDOOR UNIT OPERATING (CAPACITY INDEX, kBtu/h)						TOTAL CAPACITY						INPUT(W)		
	UNIT-A	UNIT-B	UNIT-C	UNIT-D	UNIT-E	TOTAL	MIN.		RATED		MAX.		MIN.	RATED	MAX.
						Btu/h	kW	Btu/h	kW	Btu/h	kW				
4 UNIT	5	7	15	15	-	42	23,474	6.88	42,700	12.51	50,000	14.65	1,720	3,051	5,275
	9	9	9	15	-	42	23,474	6.88	42,700	12.51	50,000	14.65	1,720	3,051	5,275
	9	9	12	12	-	42	23,474	6.88	42,700	12.51	50,000	14.65	1,720	3,051	5,275
	5	5	9	24	-	43	23,474	6.88	42,700	12.51	50,000	14.65	1,721	3,051	5,276
	5	5	15	18	-	43	23,474	6.88	42,700	12.51	50,000	14.65	1,721	3,051	5,276
	5	7	7	24	-	43	23,474	6.88	42,700	12.51	50,000	14.65	1,721	3,051	5,276
	5	7	7	24	-	43	23,474	6.88	42,700	12.51	50,000	14.65	1,721	3,051	5,276
	7	9	9	18	-	43	23,474	6.88	42,700	12.51	50,000	14.65	1,721	3,051	5,276
	7	9	12	12	-	43	23,474	6.88	42,700	12.51	50,000	14.65	1,721	3,051	5,276
	7	12	12	12	-	43	23,474	6.88	42,700	12.51	50,000	14.65	1,721	3,051	5,276
	5	9	12	18	-	44	23,474	6.88	42,700	12.51	50,000	14.65	1,721	3,051	5,276
	5	9	15	15	-	44	23,474	6.88	42,700	12.51	50,000	14.65	1,721	3,051	5,276
	5	12	12	15	-	44	23,474	6.88	42,700	12.51	50,000	14.65	1,721	3,051	5,276
	7	7	12	18	-	44	23,474	6.88	42,700	12.51	50,000	14.65	1,721	3,051	5,276
	7	7	15	15	-	44	23,474	6.88	42,700	12.51	50,000	14.65	1,721	3,051	5,276
	5	7	9	24	-	45	23,474	6.88	42,700	12.51	50,000	14.65	1,721	3,051	5,276
	5	7	15	18	-	45	23,474	6.88	42,700	12.51	50,000	14.65	1,721	3,051	5,276
	7	7	7	24	-	45	23,474	6.88	42,700	12.51	50,000	14.65	1,721	3,051	5,276
	9	9	9	18	-	45	23,474	6.88	42,700	12.51	50,000	14.65	1,721	3,051	5,276
	9	9	12	15	-	45	23,474	6.88	42,700	12.51	50,000	14.65	1,721	3,051	5,276
	9	12	12	12	-	45	23,474	6.88	42,700	12.51	50,000	14.65	1,721	3,051	5,276
	5	5	12	24	-	46	23,474	6.88	42,700	12.51	50,000	14.65	1,721	3,051	5,276
	5	5	18	18	-	46	23,474	6.88	42,700	12.51	50,000	14.65	1,721	3,051	5,276
	7	7	9	12	-	46	23,474	6.88	42,700	12.51	50,000	14.65	1,721	3,051	5,276
	7	9	15	15	-	46	23,474	6.88	42,700	12.51	50,000	14.65	1,721	3,051	5,276
	5	9	9	24	-	47	23,474	6.88	42,700	12.51	50,000	14.65	1,721	3,051	5,276
	5	9	15	18	-	47	23,474	6.88	42,700	12.51	50,000	14.65	1,721	3,051	5,276
	5	12	12	18	-	47	23,474	6.88	42,700	12.51	50,000	14.65	1,721	3,051	5,276
	5	12	15	15	-	47	23,474	6.88	42,700	12.51	50,000	14.65	1,721	3,051	5,276
	7	7	7	24	-	47	23,474	6.88	42,700	12.51	50,000	14.65	1,721	3,051	5,276
	7	7	15	18	-	47	23,474	6.88	42,700	12.51	50,000	14.65	1,721	3,051	5,276
	5	7	12	24	-	48	23,474	6.88	42,700	12.51	50,000	14.65	1,721	3,051	5,276
	5	7	18	18	-	48	23,474	6.88	42,700	12.51	50,000	14.65	1,721	3,051	5,276
	9	9	12	18	-	48	23,474	6.88	42,700	12.51	50,000	14.65	1,721	3,051	5,276
	9	9	15	15	-	48	23,474	6.88	42,700	12.51	50,000	14.65	1,721	3,051	5,276
	9	12	12	15	-	48	23,474	6.88	42,700	12.51	50,000	14.65	1,721	3,051	5,276
	12	12	12	12	-	48	23,474	6.88	42,700	12.51	50,000	14.65	1,721	3,051	5,276
	5	5	15	24	-	49	23,474	6.88	42,700	12.51	50,000	14.65	1,721	3,051	5,276
	7	7	9	24	-	49	23,474	6.88	42,700	12.51	50,000	14.65	1,721	3,051	5,276
	7	9	15	18	-	49	23,474	6.88	42,700	12.51	50,000	14.65	1,721	3,051	5,276
	7	12	12	18	-	49	23,474	6.88	42,700	12.51	50,000	14.65	1,721	3,051	5,276
	5	9	12	24	-	50	23,474	6.88	42,700	12.51	50,000	14.65	1,721	3,051	5,276
	5	9	18	18	-	50	23,474	6.88	42,700	12.51	50,000	14.65	1,721	3,051	5,276
	5	12	15	18	-	50	23,474	6.88	42,700	12.51	50,000	14.65	1,721	3,051	5,276
	5	15	15	15	-	50	23,474	6.88	42,700	12.51	50,000	14.65	1,721	3,051	5,276
	7	7	12	24	-	50	23,474	6.88	42,700	12.51	50,000	14.65	1,721	3,051	5,276
	7	7	18	18	-	50	23,474	6.88	42,700	12.51	50,000	14.65	1,721	3,051	5,276
	5	7	15	24	-	51	23,474	6.88	42,700	12.51	50,000	14.65	1,721	3,051	5,276
	9	9	9	24	-	51	23,474	6.88	42,700	12.51	50,000	14.65	1,721	3,051	5,276
	9	9	15	18	-	51	23,474	6.88	42,700	12.51	50,000	14.65	1,721	3,051	5,276
	9	12	12	18	-	51	23,474	6.88	42,700	12.51	50,000	14.65	1,721	3,051	5,276
	9	12	15	15	-	51	23,474	6.88	42,700	12.51	50,000	14.65	1,721	3,051	5,276
	12	12	12	15	-	51	23,474	6.88	42,700	12.51	50,000	14.65	1,721	3,051	5,276
	5	5	18	24	-	52	23,474	6.88	42,700	12.51	50,000	14.65	1,721	3,051	5,276
	7	9	12	24	-	52	23,474	6.88	42,700	12.51	50,000	14.65	1,721	3,051	5,276
	7	9	18	18	-	52	23,474	6.88	42,700	12.51	50,000	14.65	1,721	3,051	5,276
	7	12	15	18	-	52	23,474	6.88	42,700	12.51	50,000	14.65	1,721	3,051	5,276
	7	15	15	15	-	52	23,474	6.88	42,700	12.51	50,000	14.65	1,721	3,051	5,276
5	9	15	24	-	53	23,474	6.88	42,700	12.51	50,000	14.65	1,721	3,051	5,276	
5	12	12	24	-	53	23,474	6.88	42,700	12.51	50,000	14.65	1,721	3,051	5,276	
5	12	18	18	-	53	23,474	6.88	42,700	12.51	50,000	14.65	1,721	3,051	5,276	
5	15	15	18	-	53	23,474	6.88	42,700	12.51	50,000	14.65	1,721	3,051	5,276	
7	7	15	24	-	53	23,474	6.88	42,700	12.51	50,000	14.65	1,721	3,051	5,276	
5	7	18	24	-	54	23,474	6.88	42,700	12.51	50,000	14.65	1,721	3,051	5,276	
9	9	12	24	-	54	23,474	6.88	42,700	12.51	50,000	14.65	1,721	3,051	5,276	
9	9	18	18	-	54	23,474	6.88	42,700	12.51	50,000	14.65	1,721	3,051	5,276	
9	12	15	18	-	54	23,474	6.88	42,700	12.51	50,000	14.65	1,721	3,051	5,276	
9	15	15	15	-	54	23,474	6.88	42,700	12.51	50,000	14.65	1,721	3,051	5,276	
12	12	12	18	-	54	23,474	6.88	42,700	12.51	50,000	14.65	1,721	3,051	5,276	
12	12	15	15	-	54	23,474	6.88	42,700	12.51	50,000	14.65	1,721	3,051	5,276	
7	9	15	24	-	55	23,474	6.88	42,700	12.51	50,000	14.65	1,721	3,051	5,276	
7	12	12	24	-	55	23,474	6.88	42,700	12.51	50,000	14.65	1,721	3,051	5,276	
7	12	18	18	-	55	23,474	6.88	42,700	12.51	50,000	14.65	1,721	3,051	5,276	
7	15	15	18	-	55	23,474	6.88	42,700	12.51	50,000	14.65	1,721	3,051	5,276	
5	9	18	24	-	56	23,474	6.88	42,700	12.51	50,000	14.65	1,721	3,051	5,276	
5	12	15	24	-	56	23,474	6.88	42,700	12.51	50,000	14.65	1,721	3,051	5,276	
5	15	18	18	-	56	23,474	6.88	42,700	12.51	50,000	14.65	1,721	3,051	5,276	
7	7	18	24	-	56	23,474	6.88	42,700	12.51	50,000	14.65	1,721	3,051	5,276	
9	9	15	24	-	57	23,474	6.88	42,700	12.51	50,000	14.65	1,721	3,051	5,276	
9	12	12	24	-	57	23,474	6.88	42,700	12.51	50,000	14.65	1,721	3,051	5,276	
9	12	18	18	-	57	23,474	6.88	42,700	12.51	50,000	14.65	1,721	3,051	5,276	
9	15	15	18	-	57	23,474	6.88	42,700	12.51	50,000	14.65	1,721	3,051	5,276	
12	12	15	18	-	57	23,474	6.88	42,700	12.51	50,000	14.65	1,721	3,051	5,276	
12	15	15	15	-	57	23,474	6.88	42,700	12.51	50,000	14.65	1,721	3,051	5,276	
7	9	18	24	-	58	23,474	6.88	42,700	12.51	50,000	14.65	1,721	3,051	5,276	
7	12	15	24	-	58	23,474	6.88	42,700	12.51	50,000	14.65	1,721	3,051	5,276	

Note

- Capacities are based on the following conditions :
 - Cooling : Indoor Ambient Temp. 27°CDB / 19°CWB, Outdoor Ambient Temp. 35°CDB / 24°CWB
 - Heating : Indoor Ambient Temp. 20°CDB / 15°CWB, Outdoor Ambient Temp. 7°CDB / 6°CWB
 - Interconnected piping is standard length and difference of Elevation (Outdoor - Indoor Unit) is 0 m.
- At least two indoor units should be connected. And minimum limit of combination ratio is 40% approximately for rated capacity of outdoor unit.
- Don't exceed the maximum connectable indoor units number, it can be found in Specifications or combination table of outdoor unit model.

R410A MULTI SPLIT



LG participates in the ECP programme for EUROVENT AC program. Check ongoing validity of certification : www.eurovent-certification.com

OUTDOOR				FM40AH U34
Compressor	Type	-		Scroll
Capacity*	Cooling	Min. / Nom. / Max.	kW	2.8 / 12.3 / 15.4
	Heating	Min. / Nom. / Max.	kW	3.1 / 13.5 / 16.2
Low Temperature Capacity	Heating	Max.	kW	12.5
Power Input*	Cooling	Min. / Nom. / Max.	kW	0.82 / 2.42 / 4.90
	Heating	Min. / Nom. / Max.	kW	0.89 / 2.87 / 5.10
Running Current*	Cooling	Min. / Nom. / Max.	A	3.7 / 11.0 / 22.2
	Heating	Min. / Nom. / Max.	A	4.0 / 13.0 / 23.1
EER				5.08
COP				4.70
SEER				7.40
SCOP				4.20
Pdesign(@-10°C)			kW	8.6
Seasonal Energy Label (A++ to E Scale)	Cooling / Heating	-		- / -
Annual Energy Consumption		Cooling / Heating	kWh	981 / 2,867
Air Flow Rate		Nom.	m ³ /min x No.	110
Sound Pressure Level	Cooling	Nom.	dB(A)	51
	Heating	Nom.	dB(A)	53
Sound Power Level	Cooling	Max.	dB(A)	69
	Heating	Max.	dB(A)	70
Dimensions		W x H x D	mm	950 x 1,380 x 330
Net Weight			kg	87
Refrigerant	Type			R410A
	Charge		kg	4.2
	Additional Charging Volume		g/m	20
	GWP (Global Warming Potential)			2,087.5
	t-CO ₂ eq			8.768
Operation Range (Outdoor)	Cooling	Min. / Max.	°C DB	-10 / 48
	Heating	Min. / Max.	°C WB	-25 / 18
Power Supply			Ø / V / Hz	1 / 220-240 / 50
Power Supply Cable			No. x mm ²	3C x 4.0
Transmission Cable	ODU-BD		No. x mm ²	4C x 1.25
	BD-IDU		No. x mm ²	4C x 0.75
Circuit Breaker			A	40
Max Piping Length	Total Piping (Main+Total Branch)		m	125
	Main Piping		m	55
	Total Branch Piping		m	70
	Each Branch Piping		m	15
Piping Elevation Difference	IDU-ODU	Max.	m	30
	IDU-IDU	Max.	m	15
Piping Connections	Liquid		mm (inch) x No.	Ø9.52 x 1
	Gas		mm (inch) x No.	Ø19.05 x 1

※ For our policy of continuous product improvement, specification, design and features are subject to change without prior notice.

Note : 1. Capacities are based on the following conditions:

Cooling : - Indoor Temperature 27°C (80.6°F) DB / 19°C (66.2°F) WB - Outdoor Temperature 35°C (95°F) DB / 24°C (75.2°F) WB

Heating : - Indoor Temperature 20°C (68°F) DB / 15°C (59°F) WB - Outdoor Temperature 7°C (44.6°F) DB / 6°C (42.8°F) WB

Piping Length - Interconnecting Piping Length 7.5m - Level Difference of Zero.

2. * : See page "Combination Table".

3. Due to our policy of innovation some specifications may be changed without notification.

4. At least two indoor units should be connected.

5. Minimum combination capacity rate should be more than 40%.

6. This product contains fluorinated greenhouse gases. (R410A)



LG participates in the ECP programme for EUROVENT AC program. Check ongoing validity of certification : www.eurovent-certification.com

OUTDOOR				FM48AH U34	FM56AH U34
Compressor	Type	-		Scroll	Scroll
Capacity*	Cooling	Min. / Nom. / Max.	kW	3.3 / 14.1 / 17.0	4.0 / 15.5 / 18.5
	Heating	Min. / Nom. / Max.	kW	3.7 / 16.0 / 17.3	4.5 / 17.4 / 18.8
Low Temperature Capacity	Heating	Max.	kW	14.5	15.5
Power Input*	Cooling	Min. / Nom. / Max.	kW	0.96 / 3.12 / 5.30	1.18 / 3.87 / 5.60
	Heating	Min. / Nom. / Max.	kW	1.06 / 3.76 / 5.40	1.29 / 4.34 / 5.80
Running Current*	Cooling	Min. / Nom. / Max.	A	4.4 / 14.1 / 24.0	5.3 / 17.5 / 25.4
	Heating	Min. / Nom. / Max.	A	4.8 / 17.0 / 24.5	5.9 / 19.7 / 26.3
EER				4.51	4.01
COP				4.25	4.01
SEER				7.20	6.90
SCOP				4.20	4.20
Pdesign(@-10°C)			kW	9.5	9.5
Seasonal Energy Label (A++ to E Scale)	Cooling / Heating	-		- / -	- / -
Annual Energy Consumption	Cooling / Heating	kWh		1,167 / 3,167	1,348 / 3,167
Air Flow Rate	Nom.	m³/min x No.		110	110
Sound Pressure Level	Cooling	Nom.	dB(A)	53	53
	Heating	Nom.	dB(A)	55	55
Sound Power Level	Cooling	Max.	dB(A)	71	73
	Heating	Max.	dB(A)	72	74
Dimensions	W x H x D	mm		950 x 1,380 x 330	950 x 1,380 x 330
Net Weight			kg	87	87
Refrigerant	Type	-		R410A	R410A
	Charge	kg		4.2	4.2
	Additional Charging Volume	g/m		20	20
	GWP (Global Warming Potential)	-		2,087.5	2,087.5
	t-CO ₂ eq	-		8.768	8.768
Operation Range (Outdoor)	Cooling	Min. / Max.	°C DB	-10 / 48	-10 / 48
	Heating	Min. / Max.	°C WB	-25 / 18	-25 / 18
Power Supply			Ø / V / Hz	1 / 220-240 / 50	1 / 220-240 / 50
Power Supply Cable			No. x mm²	3C x 4.0	3C x 4.0
Transmission Cable	ODU-BD	No. x mm²		4C x 1.25	4C x 1.25
	BD-IDU	No. x mm²		4C x 0.75	4C x 0.75
Circuit Breaker			A	40	40
Max Piping Length	Total Piping (Main+Total Branch)		m	135	145
	Main Piping		m	55	55
	Total Branch Piping		m	80	90
	Each Branch Piping		m	15	15
Piping Elevation Difference	IDU-ODU	Max.	m	30	30
	IDU-IDU	Max.	m	15	15
Piping Connections	Liquid	mm (inch) x No.		Ø9.52 x 1	Ø9.52 x 1
	Gas	mm (inch) x No.		Ø19.05 x 1	Ø19.05 x 1

※ For our policy of continuous product improvement, specification, design and features are subject to change without prior notice.

Note : 1. Capacities are based on the following conditions:

Cooling : - Indoor Temperature 27°C (80.6°F) DB / 19°C (66.2°F) WB - Outdoor Temperature 35°C (95°F) DB / 24°C (75.2°F) WB

Heating : - Indoor Temperature 20°C (68°F) DB / 15°C (59°F) WB - Outdoor Temperature 7°C (44.6°F) DB / 6°C (42.8°F) WB

Piping Length - Interconnecting Piping Length 7.5m - Level Difference of Zero.

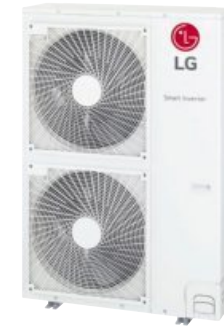
2. * : See page "Combination Table".

3. Due to our policy of innovation some specifications may be changed without notification.

4. At least two indoor units should be connected.

5. Minimum combination capacity rate should be more than 40%.

6. This product contains fluorinated greenhouse gases. (R410A)



LG participates in the ECP programme for EUROVENT AC program. Check ongoing validity of certification : www.eurovent-certification.com

OUTDOOR				FM41AH U34	FM49AH U34	FM57AH U34
Compressor	Type	-		Scroll	Scroll	Scroll
Capacity*	Cooling	Min. / Nom. / Max.	kW	2.8 / 12.3 / 15.4	3.3 / 14.1 / 17.0	4.0 / 15.5 / 18.5
	Heating	Min. / Nom. / Max.	kW	3.1 / 13.5 / 16.2	3.7 / 16.0 / 17.3	4.5 / 17.4 / 18.8
Low Temperature Capacity	Heating	Max.	kW	12.5	14.5	15.5
Power Input*	Cooling	Min. / Nom. / Max.	kW	0.82 / 2.42 / 4.90	0.96 / 3.12 / 5.30	1.18 / 3.87 / 5.60
	Heating	Min. / Nom. / Max.	kW	0.89 / 2.87 / 5.10	1.06 / 3.76 / 5.40	1.29 / 4.34 / 5.80
Running Current*	Cooling	Min. / Nom. / Max.	A	1.2 / 3.6 / 7.4	1.4 / 4.7 / 8.0	1.8 / 5.8 / 8.4
	Heating	Min. / Nom. / Max.	A	1.3 / 4.3 / 7.7	1.6 / 5.7 / 8.1	1.9 / 6.5 / 8.7
EER				5.08	4.51	4.01
COP				4.70	4.25	4.01
SEER				7.40	7.20	6.90
SCOP				4.20	4.20	4.20
Pdesign(@-10°C)			kW	8.6	9.5	9.5
Seasonal Energy Label (A++ to E Scale)	Cooling / Heating	-		- / -	- / -	- / -
Annual Energy Consumption	Cooling / Heating	kWh		981 / 2,867	1,167 / 3,167	1,348 / 3,167
Air Flow Rate	Nom.	m³/min x No.		110	110	110
Sound Pressure Level	Cooling	Nom.	dB(A)	51	53	53
	Heating	Nom.	dB(A)	53	55	55
Sound Power Level	Cooling	Max.	dB(A)	69	71	73
	Heating	Max.	dB(A)	70	72	74
Dimensions	W x H x D	mm		950 x 1,380 x 330	950 x 1,380 x 330	950 x 1,380 x 330
Net Weight			kg	87	87	87
Refrigerant	Type	-		R410A	R410A	R410A
	Charge	kg		4.2	4.2	4.2
	Additional Charging Volume	g/m		20	20	20
	GWP (Global Warming Potential)	-		2,087.50	2,087.50	2,087.50
	t-CO ₂ eq	-		8.768	8.768	8.768
Operation Range (Outdoor)	Cooling	Min. / Max.	°C DB	-10 / 48	-10 / 48	-10 / 48
	Heating	Min. / Max.	°C WB	-25 / 18	-25 / 18	-25 / 18
Power Supply			Ø / V / Hz	3 / 380-415 / 50	3 / 380-415 / 50	3 / 380-415 / 50
Power Supply Cable			No. x mm²	5C x 2.5	5C x 2.5	5C x 2.5
Transmission Cable	ODU-BD	No. x mm²		4C x 1.25	4C x 1.25	4C x 1.25
	BD-IDU	No. x mm²		4C x 0.75	4C x 0.75	4C x 0.75
Circuit Breaker			A	20	20	20
Max Piping Length	Total Piping (Main+Total Branch)		m	125	135	145
	Main Piping		m	55	55	55
	Total Branch Piping		m	70	80	90
	Each Branch Piping		m	15	15	15
Piping Elevation Difference	IDU-ODU	Max.	m	30	30	30
	IDU-IDU	Max.	m	15	15	15
Piping Connections	Liquid	mm (inch) x No.		Ø9.52 x 1	Ø9.52 x 1	Ø9.52 x 1
	Gas	mm (inch) x No.		Ø19.05 x 1	Ø19.05 x 1	Ø19.05 x 1

※ For our policy of continuous product improvement, specification, design and features are subject to change without prior notice.

Note : 1. Capacities are based on the following conditions:

Cooling : - Indoor Temperature 27°C (80.6°F) DB / 19°C (66.2°F) WB - Outdoor Temperature 35°C (95°F) DB / 24°C (75.2°F) WB

Heating : - Indoor Temperature 20°C (68°F) DB / 15°C (59°F) WB - Outdoor Temperature 7°C (44.6°F) DB / 6°C (42.8°F) WB

Piping Length - Interconnecting Piping Length 7.5m - Level Difference of Zero.

2. * : See page "Combination Table".

3. Due to our policy of innovation some specifications may be changed without notification.

4. At least two indoor units should be connected.

5. Minimum combination capacity rate should be more than 40%.

6. This product contains fluorinated greenhouse gases. (R410A)



FM40AH / FM41AH

TOTAL INDOOR UNIT CAPACITY INDEX (kBtu/h CLASS)	COOLING								
	COOLING CAPACITY						INPUT(W)		
	MIN.		RATED		MAX.		MIN.	RATED	MAX.
	Btu/h	kW	Btu/h	kW	Btu/h	kW	MIN.	RATED	MAX.
16	9,600	2.81	16,000	4.69	20,800	6.10	820	902	1,713
17	10,200	2.99	17,000	4.98	21,250	6.23	863	959	1,757
18	10,800	3.17	18,000	5.28	22,500	6.59	904	1,016	1,869
19	11,400	3.34	19,000	5.57	23,750	6.96	945	1,074	1,982
20	12,000	3.52	20,000	5.86	25,000	7.33	984	1,131	2,096
21	12,600	3.69	21,000	6.15	26,250	7.69	1,023	1,188	2,211
22	13,200	3.87	22,000	6.45	27,500	8.06	1,061	1,246	2,327
23	13,800	4.04	23,000	6.74	28,750	8.43	1,099	1,304	2,445
24	14,400	4.22	24,000	7.03	30,000	8.79	1,136	1,362	2,563
25	15,000	4.40	25,000	7.33	31,250	9.16	1,172	1,419	2,682
26	15,600	4.57	26,000	7.62	32,500	9.53	1,207	1,477	2,803
27	16,200	4.75	27,000	7.91	33,750	9.89	1,242	1,536	2,925
28	16,800	4.92	28,000	8.21	35,000	10.26	1,276	1,594	3,047
29	17,400	5.10	29,000	8.50	36,250	10.62	1,309	1,652	3,171
30	18,000	5.28	30,000	8.79	37,500	10.99	1,342	1,710	3,297
31	18,600	5.45	31,000	9.09	38,750	11.36	1,374	1,769	3,423
32	19,200	5.63	32,000	9.38	40,000	11.72	1,406	1,827	3,551
33	19,800	5.80	33,000	9.67	41,250	12.09	1,437	1,886	3,680
34	20,400	5.98	34,000	9.96	42,500	12.46	1,468	1,945	3,810
35	21,000	6.15	35,000	10.26	43,750	12.82	1,498	2,004	3,942
36	21,600	6.33	36,000	10.55	45,000	13.19	1,527	2,063	4,074
37	22,200	6.51	37,000	10.84	46,250	13.56	1,556	2,122	4,209
38	22,800	6.68	38,000	11.14	47,500	13.92	1,585	2,181	4,344
39	23,400	6.86	39,000	11.43	48,750	14.29	1,613	2,240	4,481
40	24,000	7.03	40,000	11.72	50,000	14.65	1,640	2,299	4,619
41	24,600	7.21	41,000	12.02	51,250	15.02	1,667	2,359	4,759
42	25,200	7.39	42,000	12.31	52,500	15.39	1,694	2,420	4,900
43	25,200	7.39	42,000	12.31	52,500	15.39	1,694	2,420	4,900
44	25,200	7.39	42,000	12.31	52,500	15.39	1,694	2,420	4,900
45	25,200	7.39	42,000	12.31	52,500	15.39	1,694	2,420	4,900
46	25,200	7.39	42,000	12.31	52,500	15.39	1,694	2,420	4,900
47	25,200	7.39	42,000	12.31	52,500	15.39	1,694	2,420	4,900
48	25,200	7.39	42,000	12.31	52,500	15.39	1,694	2,420	4,900
49	25,200	7.39	42,000	12.31	52,500	15.39	1,694	2,420	4,900
50	25,200	7.39	42,000	12.31	52,500	15.39	1,694	2,420	4,900
51	25,200	7.39	42,000	12.31	52,500	15.39	1,694	2,420	4,900
52	25,200	7.39	42,000	12.31	52,500	15.39	1,694	2,420	4,900
53	25,200	7.39	42,000	12.31	52,500	15.39	1,694	2,420	4,900
54	25,200	7.39	42,000	12.31	52,500	15.39	1,694	2,420	4,900
55	25,200	7.39	42,000	12.31	52,500	15.39	1,694	2,420	4,900
56	25,200	7.39	42,000	12.31	52,500	15.39	1,694	2,420	4,900
57	25,200	7.39	42,000	12.31	52,500	15.39	1,694	2,420	4,900
58	25,200	7.39	42,000	12.31	52,500	15.39	1,694	2,420	4,900
59	25,200	7.39	42,000	12.31	52,500	15.39	1,694	2,420	4,900
60	25,200	7.39	42,000	12.31	52,500	15.39	1,694	2,420	4,900
61	25,200	7.39	42,000	12.31	52,500	15.39	1,694	2,420	4,900
62	25,200	7.39	42,000	12.31	52,500	15.39	1,694	2,420	4,900
63	25,200	7.39	42,000	12.31	52,500	15.39	1,694	2,420	4,900
64	25,200	7.39	42,000	12.31	52,500	15.39	1,694	2,420	4,900
65	25,200	7.39	42,000	12.31	52,500	15.39	1,694	2,420	4,900
66	25,200	7.39	42,000	12.31	52,500	15.39	1,694	2,420	4,900
67	25,200	7.39	42,000	12.31	52,500	15.39	1,694	2,420	4,900
68	25,200	7.39	42,000	12.31	52,500	15.39	1,694	2,420	4,900
69	25,200	7.39	42,000	12.31	52,500	15.39	1,694	2,420	4,900
70	25,200	7.39	42,000	12.31	52,500	15.39	1,694	2,420	4,900
71	25,200	7.39	42,000	12.31	52,500	15.39	1,694	2,420	4,900
72	25,200	7.39	42,000	12.31	52,500	15.39	1,694	2,420	4,900

Note

- Capacities are based on the following conditions :
 - Cooling : Indoor Ambient Temp. 27°CDB / 19°CWB, Outdoor Ambient Temp. 35°CDB / 24°CWB
 - Heating : Indoor Ambient Temp. 20°CDB / 15°CWB, Outdoor Ambient Temp. 7°CDB / 6°CWB
 - Interconnected piping is standard length and difference of Elevation (Outdoor - Indoor Unit) is 0 m.
- At least two indoor units should be connected. And minimum limit of combination ratio is 40% approximately for rated capacity of outdoor unit.
- Don't exceed the maximum connectable indoor units number, it can be found in Specifications or combination table of outdoor unit model.



FM40AH / FM41AH

TOTAL INDOOR UNIT CAPACITY INDEX (kBtu/h CLASS)	HEATING								
	COOLING CAPACITY						INPUT(W)		
	MIN.		RATED		MAX.		MIN.	RATED	MAX.
	Btu/h	kW	Btu/h	kW	Btu/h	kW	MIN.	RATED	MAX.
16	10,560	3.09	17,600	5.16	22,880	6.71	890	1,080	2,080
17	11,215	3.29	18,700	5.48	23,375	6.85	939	1,147	2,129
18	11,871	3.48	19,800	5.80	24,750	7.25	988	1,216	2,255
19	12,526	3.67	20,900	6.13	26,125	7.66	1,036	1,284	2,382
20	13,182	3.86	22,000	6.45	27,500	8.06	1,084	1,352	2,509
21	13,837	4.06	23,100	6.77	28,875	8.46	1,131	1,421	2,636
22	14,492	4.25	24,200	7.09	30,250	8.87	1,178	1,490	2,763
23	15,148	4.44	25,300	7.42	31,625	9.27	1,224	1,558	2,891
24	15,803	4.63	26,400	7.74	33,000	9.67	1,269	1,627	3,018
25	16,458	4.82	27,500	8.06	34,375	10.07	1,314	1,696	3,146
26	17,114	5.02	28,600	8.38	35,750	10.48	1,359	1,765	3,274
27	17,769	5.21	29,700	8.70	37,125	10.88	1,403	1,834	3,401
28	18,425	5.40	30,800	9.03	38,500	11.28	1,446	1,903	3,530
29	19,080	5.59	31,900	9.35	39,875	11.69	1,489	1,972	3,658
30	19,735	5.78	33,000	9.67	41,250	12.09	1,532	2,042	3,786
31	20,391	5.98	34,100	9.99	42,625	12.49	1,574	2,111	3,915
32	21,046	6.17	35,200	10.32	44,000	12.90	1,615	2,181	4,044
33	21,702	6.36	36,300	10.64	45,375	13.30	1,657	2,250	4,172
34	22,357	6.55	37,400	10.96	46,750	13.70	1,697	2,320	4,301
35	23,012	6.74	38,500	11.28	48,125	14.10	1,737	2,390	4,431
36	23,668	6.94	39,600	11.61	49,500	14.51	1,777	2,460	4,560
37	24,323	7.13	40,700	11.93	50,875	14.91	1,817	2,530	4,689
38	24,978	7.32	41,800	12.25	52,250	15.31	1,856	2,600	4,819
39	25,634	7.51	42,900	12.57	53,625	15.72	1,894	2,670	4,949
40	26,289	7.70	44,000	12.90	55,000	16.12	1,932	2,740	5,079
41	26,945	7.90	45,100	13.22	56,375	16.52	1,970	2,811	5,209
42	27,600	8.09	46,200	13.48	57,750	16.92	2,009	2,880	5,339
43	27,600	8.09	46,000	13.48	55,200	16.18	2,009	2,870	5,100
44	27,600	8.09	46,000	13.48	55,200	16.18	2,009	2,870	5,100
45	27,600	8.09	46,000	13.48	55,200	16.18	2,009	2,870	5,100
46	27,600	8.09	46,000	13.48	55,200	16.18	2,009	2,870	5,100
47	27,600	8.09	46,000	13.48	55,200	16.18	2,009	2,870	5,100
48	27,600	8.09	46,000	13.48	55,200	16.18	2,009	2,870	5,100
49	27,600	8.09	46,000	13.48	55,200	16.18	2,009	2,870	5,100
50	27,600	8.09	46,000	13.48	55,200	16.18	2,009	2,870	5,100
51	27,600	8.09	46,000	13.48	55,200	16.18	2,009	2,870	5,100
52	27,600	8.09	46,000	13.48	55,200	16.18	2,009	2,870	5,100
53	27,600	8.09	46,000	13.48	55,200	16.18	2,009	2,870	5,100
54	27,600	8.09	46,000	13.48	55,200	16.18	2,009	2,870	5,100
55	27,600	8.09	46,000	13.48	55,200	16.18	2,009	2,870	5,100
56	27,600	8.09	46,000	13.48	55,200	16.18	2,009	2,870	5,100
57	27,600	8.09	46,000	13.48	55,200	16.18	2,009	2,870	5,100
58	27,600	8.09	46,000	13.48	55,200	16.18	2,009	2,870	5,100
59	27,600	8.09	46,000	13.48	55,200	16.18	2,009	2,870	5,100
60	27,600	8.09	46,000	13.48	55,200	16.18	2,009	2,870	5,100
61	27,600	8.09	46,000	13.48	55,200	16.18	2,009	2,870	5,100
62	27,600	8.09	46,000	13.48	55,200	16.18	2,009	2,870	5,100
63	27,600	8.09	46,000	13.48	55,200	16.18	2,009	2,870	5,100
64	27,600	8.09	46,000	13.48	55,200	16.18	2,009	2,870	5,100
65	27,600	8.09	46,000	13.48	55,200	16.18	2,009	2,870	5,100
66	27,600	8.09	46,000	13.48	55,200	16.18	2,009	2,870	5,100
67	27,600	8.09	46,000	13.48	55,200	16.18	2,009	2,870	5,100
68	27,600	8.09	46,000	13.48	55,200	16			



FM48AH / FM49AH

TOTAL INDOOR UNIT CAPACITY INDEX (kBTU/h CLASS)	COOLING								
	COOLING CAPACITY						INPUT(W)		
	MIN.		RATED		MAX.		MIN.	RATED	MAX.
	Btu/h	kW	Btu/h	kW	Btu/h	kW	MIN.	RATED	MAX.
19	11,400	3.34	19,000	5.57	23,750	6.96	963	1,084	1,973
20	12,000	3.52	20,000	5.86	25,000	7.33	1,010	1,146	2,084
21	12,600	3.69	21,000	6.15	26,250	7.69	1,056	1,209	2,195
22	13,200	3.87	22,000	6.45	27,500	8.06	1,102	1,272	2,307
23	13,800	4.04	23,000	6.74	28,750	8.43	1,148	1,335	2,419
24	14,400	4.22	24,000	7.03	30,000	8.79	1,193	1,399	2,532
25	15,000	4.40	25,000	7.33	31,250	9.16	1,238	1,464	2,646
26	15,600	4.57	26,000	7.62	32,500	9.53	1,283	1,529	2,760
27	16,200	4.75	27,000	7.91	33,750	9.89	1,327	1,595	2,876
28	16,800	4.92	28,000	8.21	35,000	10.26	1,371	1,661	2,992
29	17,400	5.10	29,000	8.50	36,250	10.62	1,415	1,728	3,108
30	18,000	5.28	30,000	8.79	37,500	10.99	1,458	1,795	3,226
31	18,600	5.45	31,000	9.09	38,750	11.36	1,501	1,863	3,344
32	19,200	5.63	32,000	9.38	40,000	11.72	1,544	1,932	3,463
33	19,800	5.80	33,000	9.67	41,250	12.09	1,586	2,001	3,583
34	20,400	5.98	34,000	9.96	42,500	12.46	1,628	2,071	3,704
35	21,000	6.15	35,000	10.26	43,750	12.82	1,670	2,141	3,825
36	21,600	6.33	36,000	10.55	45,000	13.19	1,712	2,213	3,947
37	22,200	6.51	37,000	10.84	46,250	13.56	1,753	2,284	4,070
38	22,800	6.68	38,000	11.14	47,500	13.92	1,794	2,357	4,194
39	23,400	6.86	39,000	11.43	48,750	14.29	1,834	2,430	4,319
40	24,000	7.03	40,000	11.72	50,000	14.65	1,874	2,504	4,444
41	24,600	7.21	41,000	12.02	51,250	15.02	1,914	2,578	4,570
42	25,200	7.39	42,000	12.31	52,500	15.39	1,954	2,653	4,697
43	25,800	7.56	43,000	12.60	53,750	15.76	1,994	2,729	4,825
44	26,400	7.74	44,000	12.90	55,000	16.13	2,033	2,806	4,954
45	27,000	7.91	45,000	13.19	56,250	16.50	2,072	2,883	5,083
46	27,600	8.09	46,000	13.48	57,500	16.87	2,110	2,961	5,213
47	28,200	8.26	47,000	13.77	58,750	17.24	2,149	3,040	5,344
48	28,800	8.44	48,000	14.07	60,000	17.61	2,184	3,120	5,476
49	28,800	8.44	48,000	14.07	58,000	17.00	2,184	3,120	5,300
50	28,800	8.44	48,000	14.07	56,000	16.39	2,184	3,120	5,125
51	28,800	8.44	48,000	14.07	54,000	15.78	2,184	3,120	4,950
52	28,800	8.44	48,000	14.07	52,000	15.17	2,184	3,120	4,775
53	28,800	8.44	48,000	14.07	50,000	14.56	2,184	3,120	4,600
54	28,800	8.44	48,000	14.07	48,000	13.95	2,184	3,120	4,425
55	28,800	8.44	48,000	14.07	46,000	13.34	2,184	3,120	4,250
56	28,800	8.44	48,000	14.07	44,000	12.73	2,184	3,120	4,075
57	28,800	8.44	48,000	14.07	42,000	12.12	2,184	3,120	3,900
58	28,800	8.44	48,000	14.07	40,000	11.51	2,184	3,120	3,725
59	28,800	8.44	48,000	14.07	38,000	10.90	2,184	3,120	3,550
60	28,800	8.44	48,000	14.07	36,000	10.29	2,184	3,120	3,375
61	28,800	8.44	48,000	14.07	34,000	9.68	2,184	3,120	3,200
62	28,800	8.44	48,000	14.07	32,000	9.07	2,184	3,120	3,025
63	28,800	8.44	48,000	14.07	30,000	8.46	2,184	3,120	2,850
64	28,800	8.44	48,000	14.07	28,000	7.85	2,184	3,120	2,675
65	28,800	8.44	48,000	14.07	26,000	7.24	2,184	3,120	2,500
66	28,800	8.44	48,000	14.07	24,000	6.63	2,184	3,120	2,325
67	28,800	8.44	48,000	14.07	22,000	6.02	2,184	3,120	2,150
68	28,800	8.44	48,000	14.07	20,000	5.41	2,184	3,120	1,975
69	28,800	8.44	48,000	14.07	18,000	4.80	2,184	3,120	1,800
70	28,800	8.44	48,000	14.07	16,000	4.19	2,184	3,120	1,625
71	28,800	8.44	48,000	14.07	14,000	3.58	2,184	3,120	1,450
72	28,800	8.44	48,000	14.07	12,000	2.97	2,184	3,120	1,275
73	28,800	8.44	48,000	14.07	10,000	2.36	2,184	3,120	1,100
74	28,800	8.44	48,000	14.07	8,000	1.75	2,184	3,120	925
75	28,800	8.44	48,000	14.07	6,000	1.14	2,184	3,120	750
76	28,800	8.44	48,000	14.07	4,000	0.53	2,184	3,120	575
77	28,800	8.44	48,000	14.07	2,000	-0.08	2,184	3,120	400
78	28,800	8.44	48,000	14.07	0,000	-0.69	2,184	3,120	225

Note

- Capacities are based on the following conditions :
 - Cooling : Indoor Ambient Temp. 27°CDB / 19°CWB, Outdoor Ambient Temp. 35°CDB / 24°CWB
 - Heating : Indoor Ambient Temp. 20°CDB / 15°CWB, Outdoor Ambient Temp. 7°CDB / 6°CWB
 - Interconnected piping is standard length and difference of Elevation (Outdoor - Indoor Unit) is 0 m.
- At least two indoor units should be connected. And minimum limit of combination ratio is 40% approximately for rated capacity of outdoor unit.
- Don't exceed the maximum connectable indoor units number, it can be found in Specifications or combination table of outdoor unit model.



FM48AH / FM49AH

TOTAL INDOOR UNIT CAPACITY INDEX (kBTU/h CLASS)	HEATING								
	COOLING CAPACITY						INPUT(W)		
	MIN.		RATED		MAX.		MIN.	RATED	MAX.
	Btu/h	kW	Btu/h	kW	Btu/h	kW	MIN.	RATED	MAX.
19	12,636	3.70	21,059	6.17	26,266	7.70	1,060	1,305	2,392
20	13,328	3.91	22,213	6.51	27,395	8.03	1,116	1,381	2,495
21	14,019	4.11	23,366	6.85	28,524	8.36	1,172	1,458	2,599
22	14,711	4.31	24,519	7.19	29,653	8.69	1,228	1,535	2,702
23	15,403	4.51	25,672	7.52	30,781	9.02	1,284	1,613	2,806
24	16,095	4.72	26,825	7.86	31,910	9.35	1,340	1,692	2,909
25	16,787	4.92	27,978	8.20	33,039	9.68	1,396	1,771	3,012
26	17,479	5.12	29,131	8.54	34,168	10.01	1,451	1,850	3,116
27	18,171	5.33	30,284	8.88	35,296	10.34	1,507	1,930	3,220
28	18,863	5.53	31,438	9.22	36,425	10.68	1,562	2,011	3,323
29	19,555	5.73	32,591	9.55	37,554	11.01	1,617	2,093	3,427
30	20,246	5.93	33,744	9.89	38,683	11.34	1,672	2,174	3,530
31	20,938	6.14	34,897	10.23	39,811	11.67	1,726	2,257	3,634
32	21,630	6.34	36,050	10.57	40,940	12.00	1,781	2,340	3,738
33	22,322	6.54	37,203	10.90	42,069	12.33	1,835	2,424	3,842
34	23,014	6.74	38,356	11.24	43,198	12.66	1,889	2,508	3,946
35	23,706	6.95	39,509	11.58	44,326	12.99	1,943	2,593	4,049
36	24,398	7.15	40,663	11.92	45,455	13.32	1,997	2,679	4,153
37	25,089	7.35	41,816	12.26	46,584	13.65	2,051	2,765	4,257
38	25,781	7.56	42,969	12.59	47,713	13.98	2,105	2,852	4,361
39	26,473	7.76	44,122	12.93	48,841	14.31	2,158	2,940	4,465
40	27,165	7.96	45,275	13.27	49,970	14.65	2,212	3,028	4,570
41	27,857	8.16	46,428	13.61	51,099	14.98	2,265	3,117	4,674
42	28,549	8.37	47,581	13.95	52,228	15.31	2,318	3,206	4,778
43	29,241	8.57	48,734	14.28	53,356	15.64	2,371	3,297	4,882
44	29,933	8.77	49,888	14.62	54,485	15.97	2,423	3,387	4,986
45	30,624	8.98	51,041	14.96	55,614	16.30	2,476	3,479	5,091
46	31,316	9.18	52,194	15.30	56,743	16.63	2,528	3,571	5,195
47	32,008	9.38	53,347	15.64	57,871	16.96	2,581	3,665	5,299
48	32,700	9.58	54,500	15.97	59,000	17.29	2,632	3,760	5,400
49	32,700	9.58	54,500	15.97	59,000	17.29	2,632	3,760	5,400
50	32,700	9.58	54,500	15.97	59,000	17.29	2,632	3,760	5,400
51	32,700	9.58	54,500	15.97	59,000	17.29	2,632	3,760	5,400
52	32,700	9.58	54,500	15.97	59,000	17.29	2,632	3,760	5,400
53	32,700	9.58	54,500	15.97	59,000	17.29	2,632	3,760	5,400
54	32,700	9.58	54,500	15.97	59,000	17.29	2,632	3,760	5,400
55	32,700	9.58	54,500	15.97	59,000	17.29	2,632	3,760	5,400
56	32,700	9.58	54,500	15.97	59,000	17.29	2,632	3,760	5,400
57	32,700	9.58	54,500	15.97	59,000	17.29	2,632	3,760	5,400
58	32,700	9.58	54,500	15.97	59,000	17.29	2,632	3,760	5,400
59	32,700	9.58	54,500	15.97	59,000	17.29	2,632	3,760	5,400
60	32,700	9.58	54,500	15.97	59,000	17.29	2,632	3,760	5,400
61	32,700	9.58	54,500	15.97	59,000	17.29	2,632	3,760	5,400
62	32,700	9.58	54,500	15.97	59,000	17.29	2,632	3,760	5,400
63	32,700	9.58	54,500	15.97	59,000	17.29	2,632	3,760	5,400
64	32,700	9.58	54,500	15.97	59,000	17.29	2,632	3,760	5,400
65	32,700	9.58	54,500	15.97	59,000	17.29	2,632	3,760	5,400
66	32,700	9.58	54,500	15.97	59,000	17.29	2,632	3,760	5,400
67	32,700	9.58	54,500	15.97	59,000	17.29	2,632	3,760	5,400
68	32,700	9.58	54,500	15.97	59,00				



FM56AH / FM57AH

TOTAL INDOOR UNIT CAPACITY INDEX (kBtu/h CLASS)	COOLING								
	COOLING CAPACITY						INPUT(W)		
	MIN.		RATED		MAX.		MIN.	RATED	MAX.
	Btu/h	kW	Btu/h	kW	Btu/h	kW	MIN.	RATED	MAX.
23	13,800	4.04	23,000	6.74	28,750	8.43	1,179	1,355	2,399
24	14,400	4.22	24,000	7.03	30,000	8.79	1,230	1,423	2,508
25	15,000	4.40	25,000	7.33	31,250	9.16	1,281	1,492	2,617
26	15,600	4.57	26,000	7.62	32,500	9.53	1,332	1,562	2,727
27	16,200	4.75	27,000	7.91	33,750	9.89	1,383	1,633	2,838
28	16,800	4.92	28,000	8.21	35,000	10.26	1,434	1,705	2,949
29	17,400	5.10	29,000	8.50	36,250	10.62	1,485	1,777	3,060
30	18,000	5.28	30,000	8.79	37,500	10.99	1,536	1,851	3,172
31	18,600	5.45	31,000	9.09	38,750	11.36	1,587	1,926	3,284
32	19,200	5.63	32,000	9.38	40,000	11.72	1,639	2,002	3,396
33	19,800	5.80	33,000	9.67	41,250	12.09	1,690	2,078	3,509
34	20,400	5.98	34,000	9.96	42,500	12.46	1,741	2,156	3,623
35	21,000	6.15	35,000	10.26	43,750	12.82	1,792	2,235	3,737
36	21,600	6.33	36,000	10.55	45,000	13.19	1,843	2,315	3,851
37	22,200	6.51	37,000	10.84	46,250	13.56	1,894	2,397	3,966
38	22,800	6.68	38,000	11.14	47,500	13.92	1,945	2,479	4,081
39	23,400	6.86	39,000	11.43	48,750	14.29	1,996	2,563	4,197
40	24,000	7.03	40,000	11.72	50,000	14.65	2,047	2,647	4,313
41	24,600	7.21	41,000	12.02	51,250	15.02	2,098	2,734	4,429
42	25,200	7.39	42,000	12.31	52,500	15.39	2,149	2,821	4,547
43	25,800	7.56	43,000	12.60	53,750	15.75	2,200	2,909	4,664
44	26,400	7.74	44,000	12.90	55,000	16.12	2,251	2,999	4,782
45	27,000	7.91	45,000	13.19	56,250	16.49	2,302	3,091	4,901
46	27,600	8.09	46,000	13.48	57,500	16.85	2,353	3,183	5,020
47	28,200	8.26	47,000	13.77	58,750	17.22	2,404	3,277	5,139
48	28,800	8.44	48,000	14.07	60,000	17.58	2,455	3,373	5,259
49	29,400	8.62	49,000	14.36	61,250	17.95	2,506	3,470	5,379
50	30,000	8.79	50,000	14.65	62,500	18.32	2,557	3,569	5,500
51	30,600	8.97	51,000	14.95	62,733	18.39	2,607	3,669	5,532
52	31,200	9.14	52,000	15.24	62,967	18.45	2,658	3,770	5,564
53	31,800	9.32	53,000	15.53	63,200	18.52	2,709	3,870	5,600
54	31,800	9.32	53,000	15.53	63,200	18.52	2,709	3,870	5,600
55	31,800	9.32	53,000	15.53	63,200	18.52	2,709	3,870	5,600
56	31,800	9.32	53,000	15.53	63,200	18.52	2,709	3,870	5,600
57	31,800	9.32	53,000	15.53	63,200	18.52	2,709	3,870	5,600
58	31,800	9.32	53,000	15.53	63,200	18.52	2,709	3,870	5,600
59	31,800	9.32	53,000	15.53	63,200	18.52	2,709	3,870	5,600
60	31,800	9.32	53,000	15.53	63,200	18.52	2,709	3,870	5,600
61	31,800	9.32	53,000	15.53	63,200	18.52	2,709	3,870	5,600
62	31,800	9.32	53,000	15.53	63,200	18.52	2,709	3,870	5,600
63	31,800	9.32	53,000	15.53	63,200	18.52	2,709	3,870	5,600
64	31,800	9.32	53,000	15.53	63,200	18.52	2,709	3,870	5,600
65	31,800	9.32	53,000	15.53	63,200	18.52	2,709	3,870	5,600
66	31,800	9.32	53,000	15.53	63,200	18.52	2,709	3,870	5,600
67	31,800	9.32	53,000	15.53	63,200	18.52	2,709	3,870	5,600
68	31,800	9.32	53,000	15.53	63,200	18.52	2,709	3,870	5,600
69	31,800	9.32	53,000	15.53	63,200	18.52	2,709	3,870	5,600
70	31,800	9.32	53,000	15.53	63,200	18.52	2,709	3,870	5,600
71	31,800	9.32	53,000	15.53	63,200	18.52	2,709	3,870	5,600
72	31,800	9.32	53,000	15.53	63,200	18.52	2,709	3,870	5,600
73	31,800	9.32	53,000	15.53	63,200	18.52	2,709	3,870	5,600
74	31,800	9.32	53,000	15.53	63,200	18.52	2,709	3,870	5,600
75	31,800	9.32	53,000	15.53	63,200	18.52	2,709	3,870	5,600
76	31,800	9.32	53,000	15.53	63,200	18.52	2,709	3,870	5,600
77	31,800	9.32	53,000	15.53	63,200	18.52	2,709	3,870	5,600
78	31,800	9.32	53,000	15.53	63,200	18.52	2,709	3,870	5,600
79	31,800	9.32	53,000	15.53	63,200	18.52	2,709	3,870	5,600
80	31,800	9.32	53,000	15.53	63,200	18.52	2,709	3,870	5,600
81	31,800	9.32	53,000	15.53	63,200	18.52	2,709	3,870	5,600
82	31,800	9.32	53,000	15.53	63,200	18.52	2,709	3,870	5,600
83	31,800	9.32	53,000	15.53	63,200	18.52	2,709	3,870	5,600
84	31,800	9.32	53,000	15.53	63,200	18.52	2,709	3,870	5,600

Note

- Capacities are based on the following conditions:
 - Cooling : Indoor Ambient Temp. 27°CDB / 19°CWB, Outdoor Ambient Temp. 35°CDB / 24°CWB
 - Heating : Indoor Ambient Temp. 20°CDB / 15°CWB, Outdoor Ambient Temp. 7°CDB / 6°CWB
 - Interconnected piping is standard length and difference of Elevation (Outdoor - Indoor Unit) is 0 m.
- At least two indoor units should be connected. And minimum limit of combination ratio is 40% approximately for rated capacity of outdoor unit.
- Don't exceed the maximum connectable indoor units number, it can be found in Specifications or combination table of outdoor unit model.



FM56AH / FM57AH

TOTAL INDOOR UNIT CAPACITY INDEX (kBtu/h CLASS)	HEATING								
	COOLING CAPACITY						INPUT(W)		
	MIN.		RATED		MAX.		MIN.	RATED	MAX.
	Btu/h	kW	Btu/h	kW	Btu/h	kW	MIN.	RATED	MAX.
23	15,305	4.49	25,508	7.48	30,659	8.99	1,292	1,613	2,789
24	15,983	4.68	26,638	7.81	31,771	9.31	1,349	1,692	2,890
25	16,661	4.88	27,768	8.14	32,882	9.64	1,407	1,772	2,991
26	17,338	5.08	28,897	8.47	33,994	9.96	1,465	1,852	3,091
27	18,016	5.28	30,027	8.80	35,105	10.29	1,523	1,934	3,192
28	18,694	5.48	31,157	9.13	36,216	10.61	1,580	2,016	3,293
29	19,372	5.68	32,286	9.46	37,328	10.94	1,638	2,098	3,394
30	20,050	5.88	33,416	9.79	38,439	11.27	1,696	2,182	3,495
31	20,728	6.07	34,546	10.12	39,550	11.59	1,754	2,266	3,595
32	21,405	6.27	35,676	10.46	40,662	11.92	1,812	2,351	3,696
33	22,083	6.47	36,805	10.79	41,773	12.24	1,870	2,437	3,797
34	22,761	6.67	37,935	11.12	42,884	12.57	1,928	2,524	3,897
35	23,439	6.87	39,065	11.45	43,996	12.89	1,986	2,611	3,998
36	24,117	7.07	40,195	11.78	45,107	13.22	2,044	2,700	4,099
37	24,795	7.27	41,324	12.11	46,218	13.55	2,102	2,789	4,199
38	25,472	7.47	42,454	12.44	47,330	13.87	2,160	2,879	4,300
39	26,150	7.66	43,584	12.77	48,441	14.20	2,218	2,970	4,401
40	26,828	7.86	44,714	13.10	49,552	14.52	2,276	3,061	4,501
41	27,506	8.06	45,843	13.44	50,664	14.85	2,335	3,154	4,602
42	28,184	8.26	46,973	13.77	51,775	15.17	2,393	3,248	4,702
43	28,862	8.46	48,103	14.10	52,886	15.50	2,451	3,342	4,803
44	29,539	8.66	49,232	14.43	53,998	15.83	2,510	3,438	4,903
45	30,217	8.86	50,362	14.76	55,109	16.15	2,568	3,534	5,004
46	30,895	9.05	51,492	15.09	56,221	16.48	2,626	3,632	5,104
47	31,573	9.25	52,622	15.42	57,332	16.80	2,685	3,730	5,205
48	32,251	9.45	53,751	15.75	58,443	17.13	2,743	3,829	5,305
49	32,929	9.65	54,881	16.08	59,555	17.45	2,802	3,930	5,406
50	33,606	9.85	56,011	16.42	60,666	17.78	2,861	4,031	5,506
51	34,284	10.05	57,141	16.75	61,777	18.11	2,919	4,133	5,606
52	34,962	10.25	58,271	17.08	62,889	18.43	2,978	4,237	5,707
53	35,640	10.45	59,400	17.41	64,000	18.76	3,038	4,340	5,808
54	35,640	10.45	59,400	17.41	64,000	18.76	3,038	4,340	5,808
55	35,640	10.45	59,400	17.41	64,000	18.76	3,038	4,340	5,808
56	35,640	10.45	59,400	17.41	64,000	18.76	3,038	4,340	5,808
57	35,640	10.45	59,400	17.41	64,000	18.76	3,038	4,340	5,808
58	35,640	10.45	59,400	17.41	64,000	18.76	3,038	4,340	5,808
59	35,640	10.45	59,400	17.41	64,000	18.76	3,038	4,340	5,808
60	35,640	10.45	59,400	17.41	64,000	18.76	3,038	4,340	5,808
61	35,640	10.45	59,400	17.41	64,000	18.76	3,038	4,340	5,808
62	35,640	10.45	59,400	17.41	64,000	18.76	3,038	4,340	5,808
63	35,640	10.45	59,400	17.41	64,000	18.76	3,038	4,340	5,808
64	35,640	10.45	59,400	17.41	64,000	18.76	3,038	4,340	5,808
65	35,640	10.45	59,400	17.41	64,000	18.76	3,038	4,340	5,808
66	35,640	10.45	59,400	17.41	64,000	18.76	3,038	4,340	5,808
67	35,640	10.45	59,400	17.41	64,000	18.76	3,038	4,340	5,808
68	35,640	10.45	59,400	17.41	64,000	18.76	3,038	4,340	5,808
69	35,640	10.45	59,400	17.41	64,000	18.76	3,038	4,340	5

Cassette Panel

The Independent Vane Operation allows a desired comfortable air flow.



Model Name & Applied Products

4 Way Cassette (Mini, 570x570)
PT-QAGW0

2 Way Cassette
PT-USC

1 Way Cassette (Grill Type)
PT-UAHGO
PT-UAHWO

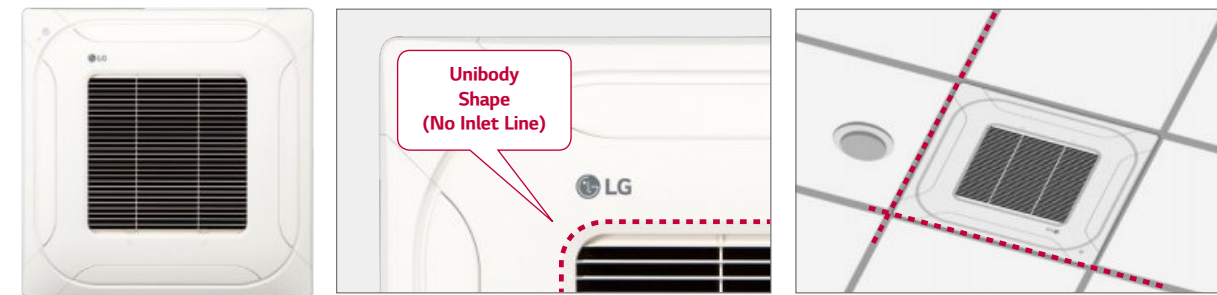
1 way cassette (Air purification)
PT-UPHGO

Key Features

- Independent vane operation uses separate motors, making it possible to control all 1, 2, and 4 vanes independently.
- The detachable corner design makes it easy to adjust the hanger during installation and to check for leakages in the drain pipe and refrigerant pipes.

Compact and Stylish Design

- New 4 way cassette panel with an adapted shape matches with the ceiling.
- Panel size is fit into the ceiling tile.

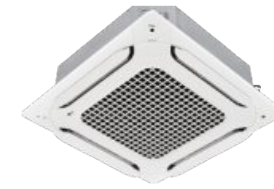


Specification

MODEL	SUCTION TYPE	COLOR (RAL)	GLOSS	WEIGHT (kg)	DIMENSION (mm)			APPLIED MODEL CAPACITY (kW)*					
					W	H	D	Single Split		Multi Split		Multi V	
								R32	R410A	R32	R410A	R32	R410A
4 Way	PT-QAGW0	White (RAL 9003)	X	2.9	620	35	620	2.5-5.0	2.5-5.0	1.5-5.3	1.5-5.3	1.6-6.2	1.6-6.2
2 Way	PT-USC	Morning Fog (RAL 9001)	X	4.7	1,100	28	690					2.8-7.1	2.8-7.1
	PT-UAHGO	White (RAL 9003)	O	3.9	1,160	34	500			2.6-3.5	2.6-3.5	2.2-3.6	2.2-3.6
1 Way	PT-UAHWO	White (RAL 9003)	X	3.3	1,100	34	500			2.6-3.5	2.6-3.5	2.2-3.6	2.2-3.6
	PT-UPHGO	White (RAL 9003)	O	4.1	1,160	34	500			2.6-3.5	2.6-3.5	2.2-3.6	2.2-3.6

* Based on cooling capacity
※ O : Applied, - : Not applied

Dual Vane Cassette Panel



Model Name
PT-AAGW0
PT-AFGW0

Key Features

Model	Function					
	Dual Vane	Wi-Fi	Floor Temperature Sensor	Air Purification	Elevating Grille	Human Detection Sensor
PT-AAGW0	O	Optional	Optional	X	X	Optional
PT-AFGW0	O	Optional	Optional	Optional (Dust Sensor, Tact Switch)	X	Optional

Specification

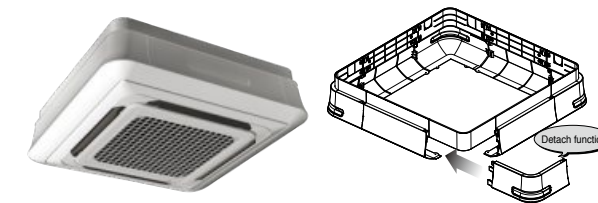
Model	Suction Type	Color (RAL)	Gloss	Weight (kg)	Dimension (mm)		
					W	H	D
PT-AAGW0	Grid	White (RAL 9003)	-	7.1	950	35	950
PT-AFGW0	Grid	White (RAL 9003)	-	7.5	950	35	950

Air Purification Kit

Model	Type	Image	Model name	Dielectric Dust collecting filter	Photocatalytic Deodorizing filter	HVPS	Ionizer
Air Purification Kit	4 Way		PTAHMP0		O	O	O
	1 Way		PTAHTP0		O	O	O

Cassette Cover

Cover in case of exposed cassette installation.



Model Name
PTDCA

Applied Products

4 Way Cassette (for chassis TP-B, TM-A)

Key Features

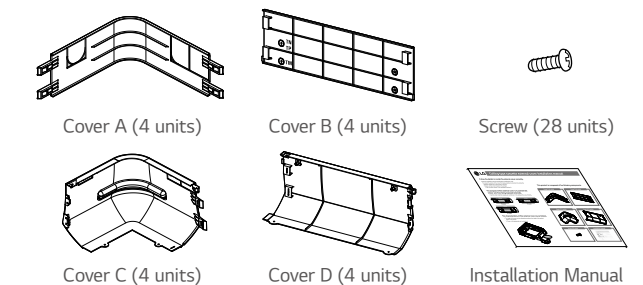
- Specially designed for indoor unit
- Covers the side area of cassette
- Gives elegant looks
- Light weight

Included Parts

- Cover A, Cover B
- Covers
- Cover C, Cover D
- Installation Manual

Specification

Model	Front Panel	Weight (kg)		Dimensions (mm)		
		NET	Gross	W	H	D
PTDCA	TP-B	6.1	9.5	1,157	266	1,157
	TM-A	6.1	9.5	1,157	308	1,157



UVnano™ Filter Box

UVnano Filter Box can effectively create a safe indoor environment by trapping and removing various harmful substances such as fine dust, bacteria and viruses in the form of droplets.



UVnano Filter Box Kit (Included ePM1 Filter)
PBM13M3UA0 / PBM13M2UA0 / PBM13M1UA0

ePM1 Filter
FBM13M3UA0 / FBM13M2UA0 / FBM13M1UA0

PLATFORM	UNIT	M3 PLATFORM PBM13M3UA0	M2 PLATFORM PBM13M2UA0	M1 PLATFORM PBM13M1UA0	
Duct UVnano Filter Box	-				
Net Size (W x H x D)	mm	1,250 x 360 x 280	1,250 x 270 x 280	900 x 270 x 280	
Shipping Size (W x H x D)	mm	1,440 x 430 x 377	1,440 x 340 x 377	1,048 x 340 x 377	
Net Weight	kg	12.7	11.6	9.1	
Pre-Filter (1)	Size (W x H x D)	mm	596 x 377 x 4	596 x 247 x 4	596 x 247 x 4
	Mesh	-	34 x 39	34 x 39	34 x 39
	Color	-	Black	Black	Black
	Quantity	EA	2	2	1
Pre-Filter (2)	Size (W x H x D)	mm	-	-	247 x 247 x 4
	Mesh	-	-	-	34 x 39
	Color	-	-	-	Black
	Quantity	EA	-	-	1
UVnano	UVC Wavelength	nm	275	275	275
	UVC LED Quantity	EA	8	8	8
Filter (1)	Model Name		FBM13M3UA0	FBM13M2UA0	FBM13M1UA0
	Size (W x H x D)	mm	600 x 341 x 50.8	600 x 251 x 50.8	600 x 251 x 50.8
	Quantity	EA	2	2	1
	Grade	-	*ePM ₁ , 65%	ePM ₁ , 65%	ePM ₁ , 65%
Filter (2)	Size (W x H x D)	mm	-	-	250 x 251 x 50.8
	Quantity	EA	-	-	1
	Grade	-	-	-	ePM ₁ , 65%

* Grade : ISO 16890

LG Wi-Fi Modem

Control conditioners by using devices with access to internet, such as Android or iOS smartphones.



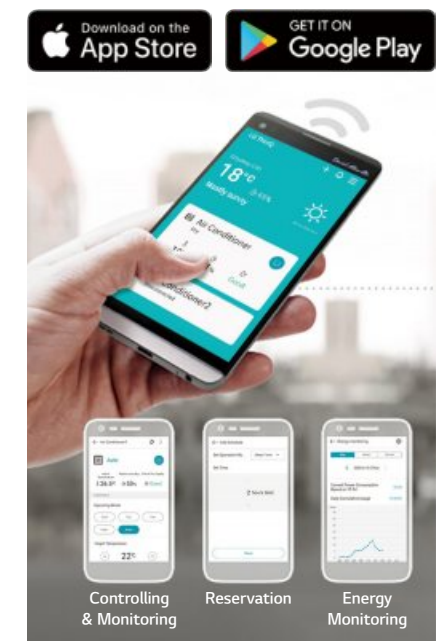
PWFMD200

Features

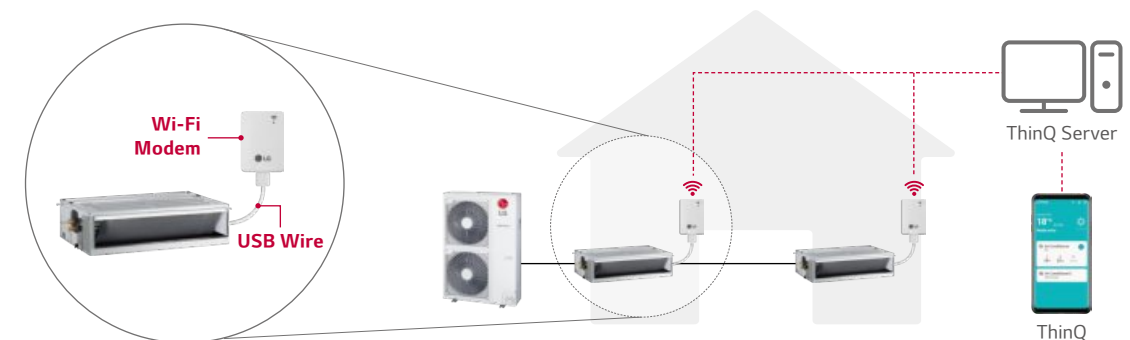
- With Wi-Fi equipped device a user can enjoy anytime, anywhere access through ThinQ mobile app.
- This allows the user to access the unit remotely to switch unit on or off before or after leaving the vicinity.
- LG's exclusive Home Appliances control app (ThinQ) is available.
- Simple operation for various functions.
 - On / Off
 - Operation Mode
 - Current / Set Temperature
 - Fan Speed
 - Vane Control ¹⁾
 - Reservation (Sleep, Weekly On / Off)
 - Energy Monitoring ²⁾
 - Filter Management
 - Error Check
 - Air Purify ³⁾

MODEL NAME	PWFMD200
Size (W x H x D, mm)	48 x 68 x 14
Interfaceable Products	System Air Conditioner ³⁾
Connection Type	Indoor unit 1:1
Communication Frequency	2.4 GHz
Wireless Standards	IEEE 802.11b/g/n
Mobile Application	ThinQ (Android v4.1(Jellybean) or higher, iPhone iOS 9.0 or higher)
Optional Extension Cable	PWYREW000 (10m extension)

- Note : 1. Functionality may be different according to each IDU model.
 2. User interface of application shall be revised for its design and contents improvement.
 3. Application is optimized for smartphone use, so it may not be well functioning with tablet devices.
- 1) Vane Control may not be possible according to the type of Indoor unit.
 2) LG Centralized controller and PDI installation is required for this function.
 3) For the compatibility with an indoor unit, please contact regional LG office.



Overview



- ※ Search "ThinQ" on Google market or Appstore then download the app.
- ※ Internet service with Wi-Fi connection has to be available.
- ※ For our policy of continuous ThinQ App improvement, specification, design and features are subject to change without prior notice.

Standard Wired Remote Controller



Standard III
PREMTB100 Standard III
PREMTBB10



Standard II
PREMTB001 Standard II
PREMTBB01

MODEL NAME	PREMTB100 PREMTBB10	PREMTB001 PREMTBB01
Operation Mode	On / Off, Fan Speed Control, Temperature Setting	
Mode Change	Cooling, Heating, Auto, Dehumidification, Fan	
Auto Swing / Vane Control	•	•
Reservation	Simple, Sleep, On / Off, Weekly, Holiday	
Time Display	•	•
Electrical Failure Compensation	•	•
Child Lock	•	•
Operation Status LED	•	•
Indoor Temperature Display	•	•
Wireless Remote Controller Receiver	-	•
Size (W x H x D, mm)	120 x 120 x 16	120 x 121 x 16
Backlight	•	•

Remote Controller

PI 485



PQWRHQFDB

※ Only some of controllers have back light feature.



PMNFP14A1

Power : Single phase AC 220V 50/60Hz
Max. no of the indoor units that can be connected : 64 UNITS
Model applied : RAC / Multi / Single / Therma V

※ Refer to each product PDB for applicable models.

Dry Contact



PDRYCB000 PDRYCB400



PDRYCB320 PDRYCB500 /
PDRYCB510*

※ Refer to each product PDB for applicable models.
* No case for PDRYCB510

MODEL	PDRYCB000	PDRYCB400	PDRYCB320	PDRYCB500 / PDRYCB510*
Contact Point	1 Control Point	2 Control Point	8 Control Point	Modbus RTU
Power Input	AC 220V from outside power source	DC 5V & 12V from indoor unit PCB	DC 5V & 12V from indoor unit PCB	DC 5V & 12 V from indoor unit PDB
Voltage / Non Voltage Input	-	•	•	-
On / Off Control	•	•	•	•
Lock / Unlock	-	•	-	-
Fan Speed Setting	-	-	•	•
Thermo Off	-	•	•	-
Energy Saving	-	•	-	-
Temperature Setting	-	•	•	•
Error Monitoring	•	•	•	•
Operation Monitoring	•	•	•	•

Distributor Box

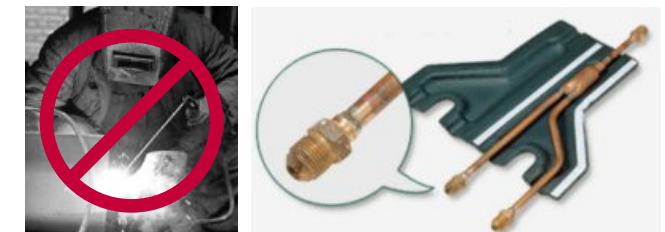
Easy installation for any sites is enabled by the range of Distributor Boxes.



PMBD3620 (2 Indoors) PMBD3630 (3 Indoors) PMBD3640 (4 Indoors)

Features

- Distribution of refrigerant to various indoor units.
- 3 models (2, 3, 4 Indoor Units)
- EEV included
- Controlling PCB inside the unit
- Internally insulated (Prevents any chances of drainage)
- Flare joints for easy and clean installation
- Compact design (Low height)
- Flexible installation



No Brazing

Just Flaring

Specification

MODEL NAME		PMBD3620	PMBD3630	PMBD3640
Connectable Indoor Units	Number of Indoor Units	1 ~ 2	1 ~ 3	1 ~ 4
	Capacity	5k / 7k / 9k / 12k / 18k / 24k	5k / 7k / 9k / 12k / 18k / 24k	5k / 7k / 9k / 12k / 18k / 24k
Power Source	Ø / V / Hz	1 / 220-240 / 50	1 / 220-240 / 50	1 / 220-240 / 50
Power Consumption	W	10	10	10
Running Current	A	0.05	0.05	0.05
Dimensions	W x H x D	302 x 143 x 252 (11.9 x 5.6 x 9.9)	302 x 143 x 252 (11.9 x 5.6 x 9.9)	302 x 143 x 252 (11.9 x 5.6 x 9.9)
	mm (inch)			
Net Weight	kg/lb	4.8 / 10.6	4.9 / 10.8	5 / 11
	mm (inch)			
Piping Connection (To Outdoor Unit)	Liquid	Ø9.52 (3/8)	Ø9.52 (3/8)	Ø9.52(3/8)
	Gas	Ø19.05 (3/4)	Ø19.05 (3/4)	Ø19.05(3/4)
Piping Connection (To Indoor Unit)	Liquid	Ø6.35 (1/4) x 2EA	Ø6.35 (1/4) x 3EA	Ø6.35 (1/4) x 4EA
	Gas	Ø9.52 (3/8) x 2EA	Ø9.52 (3/8) x 3EA	Ø9.52 (3/8) x 4EA
Accessories	Hanger (Bracket)	EA	4	4
	Screw	EA	8	8
	Manual	EA	1	1

※ For our policy of continuous product improvement, specification, design and features are subject to change without prior notice.
Note : 1. The piping connection must be suit the piping sizes of the indoor unit which will be connected.
(If need, use the connector which is included in the indoor unit)
2. The BD should be installed inside the building.

COMMERCIAL

192 - 387

Single split

Chiller



SINGLE SPLIT



kBTu/h	Type kW	H-INVERTER (R32)					STANDARD INVERTER (R32)									
		Ceiling Mounted Cassette	Ceiling Concealed Duct		Ceiling Suspended	ODU		Ceiling Mounted Cassette	Round Cassette	Ceiling Concealed Duct		Ceiling Suspended	Wall Mounted	Console	ODU	
			Mid Static	Low Static		1Ø	3Ø			Mid Static	Low Static				1Ø	3Ø
9	2.5															
12	3.4															
18	5.0															
24	6.8															
30	8.0															
36	9.5															
42	12.0															
48	13.4															
60	14.6															
70	20.0															
85	25.0															

kBTu/h	Type kW	COMPACT INVERTER (R32)					STANDARD INVERTER (R410A)				
		Ceiling Mounted Cassette	Ceiling Concealed Duct		Ceiling Suspended	Wall Mounted	ODU	Ceiling Concealed Duct (High Static)	Floor Standing	ODU	
			Mid Static	Low Static						1Ø	3Ø
9	2.5										
12	3.4										
18	5.0										
24	6.8										
30	8.0										
36	9.5										
42	12.0										
48	13.4										
60	14.6										
70	20.0										
85	25.0										

CATEGORY		H-INVERTER (R32)								
kBTu/h		9	12	18	24	30	36	42	48	60
kW		2.5	3.4	5.0	6.8	8.0	9.5	12.0	13.4	14.6
Supreme Energy Efficiency	BLDC Comp & Fan Motor	•	•	•	•	•	•	•	•	•
	Eurovent Certi.	•	•	•	•	•	•	•	•	•
	High Level SEER / SCOP	•	•	•	•	•	•	•	•	•
	Variable Voltage Control	•	•	•	•	•	•	•	•	•
	Wide Louver Fin	•	•	•	•	•	•	•	•	•
	Optimised Heat Exchanger Path			•	•	•	•	•	•	•
	Power Saving Start up	•	•	•	•	•	•	•	•	•
	Peak Current Control			•	•	•	•	•	•	•
	Mode Lock	•*	•*	•	•	•	•	•	•	•
	Standby Mode	•	•	•	•	•	•	•	•	•
Comfort Environment	Comfort Cooling with Humidity sensor**			•	•	•	•	•	•	•
	Night Silent Operation			•	•	•	•	•	•	•
	Continuous Cooling Operation	•	•	•	•	•	•	•	•	•
High Performance & Reliability	Quick & Reliable Operation	•	•	•	•	•	•	•	•	•
	R1 Compressor						•	•	•	•
	Corrosion Resistance Black Fin	•	•	•	•	•	•	•	•	•
	Long Pipe Installation	•	•	•	•	•	•	•	•	•
Convenient Control System	ThinQ***	•	•	•	•	•	•	•	•	•
	Easy Control (PI-485 Connection)	•	•	•	•	•	•	•	•	•
	1 Point External Input****	•	•	•	•	•	•	•	•	•
	Forced Cooling Operation			•	•	•	•	•	•	•
	Mobile LG MV	•	•	•	•	•	•	•	•	•
	Weekly Program*****	•	•	•	•	•	•	•	•	•
Enhanced Application	Synchro function									
	Connection with AHU			•	•	•	•	•	•	•





* With controller PREMTB001 / PREMTBB01 / PREMTB100 / PREMTBB10
 ** Available only for Ceiling Mounted cassette (840 x 840), Ceiling Suspended, Console models.
 *** Available with LG Wi-Fi modem(PWFMDD200) and it should be connected to the indoor unit.
 **** Available except for Wall Mounted Unit.
 ***** Weekly program is available with wired remote controller.












CATEGORY		STANDARD INVERTER (R32)									COMPACT INVERTER (R32)				
kBTu/h		9	12	18	24	30	36	42	48	60	18	24	30	36	
kW		2.5	3.4	5.0	6.8	8.0	9.5	12.0	13.4	14.6	5.0	6.8	8.0	9.5	
Supreme Energy Efficiency	BLDC Comp & Fan Motor	•	•	•	•	•	•	•	•	•	•	•	•	•	
	Eurovent Certi.	•	•	•	•	•	•	•	•	•	•	•	•	•	
	High Level SEER / SCOP	•	•	•	•	•	•	•	•	•	•	•	•	•	
	Variable Voltage Control	•	•	•	•	•	•	•	•	•	•	•	•	•	
	Wide Louver Fin	•	•	•	•	•	•	•	•	•	•	•	•	•	
	Optimised Heat Exchanger Path				•	•	•	•	•	•		•	•	•	
	Power Saving Start up	•	•	•	•	•	•	•	•	•	•	•	•	•	
	Peak Current Control				•	•	•	•	•	•		•	•	•	
	Mode Lock	•*	•*	•	•	•	•	•	•	•	•	•*	•	•	•
	Standby Mode	•	•	•	•	•	•	•	•	•	•	•	•	•	•
Comfort Environment	Comfort Cooling with Humidity sensor**	•	•	•	•	•	•	•	•	•	•	•	•	•	
	Night Silent Operation				•	•	•	•	•	•		•	•	•	
	Continuous Cooling Operation	•	•	•	•	•	•	•	•	•					
High Performance & Reliability	Quick & Reliable Operation	•	•	•	•	•	•	•	•	•	•	•	•	•	
	R1 Compressor									•	•	•	•		
	Corrosion Resistance Black Fin	•	•	•	•	•	•	•	•	•	•	•	•	•	
	Long Pipe Installation	•	•	•	•	•	•	•	•	•	•	•	•	•	
Convenient Control System	ThinQ***	•	•	•	•	•	•	•	•	•	•	•	•	•	
	Easy Control (PI-485 Connection)	•	•	•	•	•	•	•	•	•	•	•	•	•	
	1 Point External Input****	•	•	•	•	•	•	•	•	•	•	•	•	•	
	Forced Cooling Operation				•	•	•	•	•	•		•	•	•	
	Mobile LG MV	•	•	•	•	•	•	•	•	•	•	•	•	•	
	Weekly Program*****	•	•	•	•	•	•	•	•	•	•	•	•	•	
Enhanced Application	Synchro Function									•	•	•	•		
	Connection with AHU				•	•	•	•	•	•		•	•	•	

* With controller PREMTB001 / PREMTBB01 / PREMTB100 / PREMTBB10
 ** Available only for Ceiling Mounted cassette (840 x 840), Ceiling Suspended, Console models.
 *** Available with LG Wi-Fi modem(PWFMDD200) and it should be connected to the indoor unit.
 **** Available except for Wall Mounted Unit.
 ***** Weekly program is available with wired remote controller.

Triple Line-up for On-site Customization

A customer has various options to select a suitable model.

H-INVERTER	STANDARD	COMPACT
High Performance  (13 sets) (12 sets) (7 sets)	Wide Application  (13 sets) (15 sets) (11 sets)  (4 sets) (3 sets) (7 sets)	Compact Size  (4 sets) (6 sets) (4 sets)  (2 sets)
Total 32 Sets	Total 53 Sets	Total 16 Sets

Line-up	Description	9k (2.5kW)	12k (3.4kW)	18k (5.0kW)	24k (6.8kW)	30k (8.0kW)	36k (9.5kW)	42k (12.0kW)	48k (13.4kW)	60k (14.6kW)
H-INVERTER (R32) SEER A+++ - A++	High Performance - Suitable for high quality functions - Maximum pipe length up to 85m* - Floor Detection Sensor (Default) - Wide Cooling operation range (-20°C ~ 52°C) & 100% Capacity at 48°C* - Wide Heating operation range (-25°C ~ 18°C) & 100% Capacity at -15°C*									
STANDARD INVERTER (R32) SEER A+ - A	Wide Commercial Applications - Suitable for wide commercial applications - Maximum pipe length up to 85m* - Synchro Function over 36k Model (Max. 4 IDUs) - Wi-Fi Modem and Floor Detection Sensor (Option) - Wide Cooling operation range (-20°C ~ 52°C)* - Wide Heating operation range (-25°C ~ 18°C)*									
COMPACT INVERTER (R32) SEER A+ - A	Compact & Cost Effective - Suitable for busy environments and small shops - Very compact and easy to install - Maximum pipe length up to 50m* - Wi-Fi Modem and Floor Detection Sensor (Option) - Cooling operation range (-20°C ~ 50°C)* - Heating operation range (-15°C ~ 18°C)*									

* This specification can be different as per each model or combination.

H-Inverter : High Performance with lower energy consumption

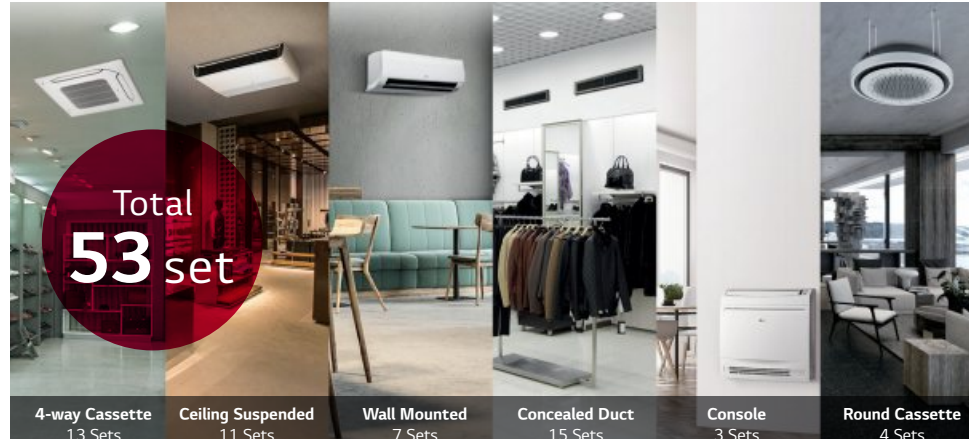


Capacity **17% ↑** at -15°C

- Energy Saving**
SEER class : A+++ - A++
- High heating capacity at low ambient condition**
17% higher than standard
- High cooling capacity at overload condition**
7% higher than standard

* This specification can be different as per each model or combination.

Standard : Wide Application with diverse design range



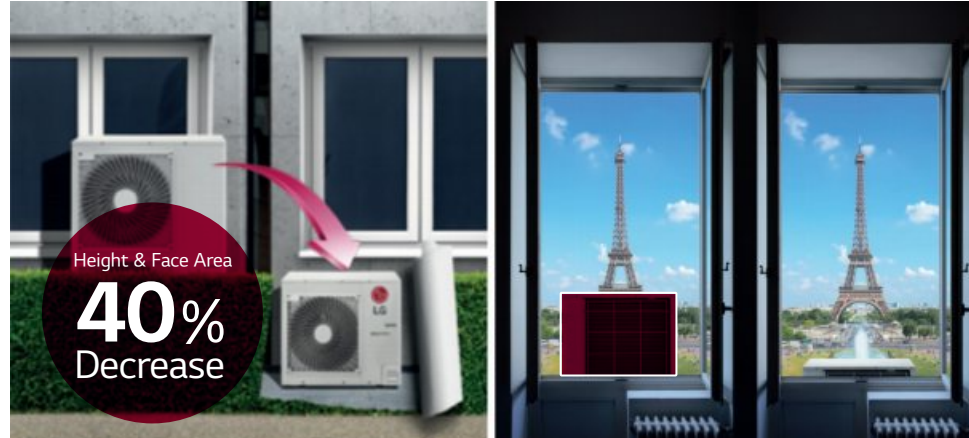
Total **53 set**

- Flexible Installation**
Max. pipe length up to 85m*
- Wide Operation Range**
Cooling (DB) : -20 ~ 52 °C*
Heating (WB) : -25 ~ 18 °C*
- Energy Saving**
SEER class : A++ - A+

4-way Cassette 13 Sets | Ceiling Suspended 11 Sets | Wall Mounted 7 Sets | Concealed Duct 15 Sets | Console 3 Sets | Round Cassette 4 Sets

* This specification can be different as per each model or combination.

Compact : Maximize Space Utilization with Compact Size



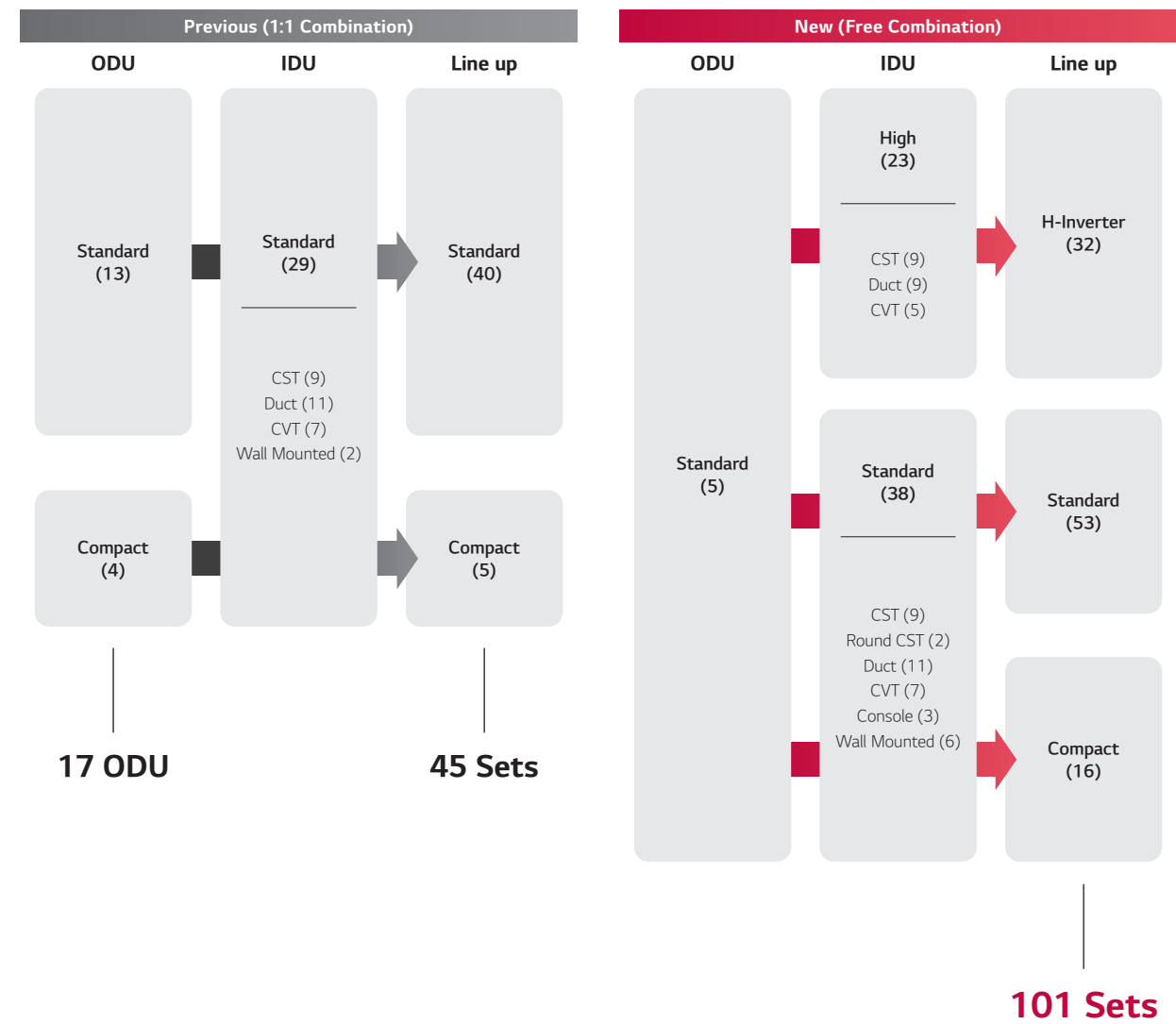
Height & Face Area **40% Decrease**

- Compact Size**
Smaller Outdoor Unit
- Energy Saving**
SEER class : A+++ - A
- Flexible Installation**
Max. pipe length up to 50m*

* This specification can be different as per each model or combination.

Free Combination

Enables to increase LG Single Split Line-up from 45 sets to 101 sets with only 5 outdoor units.



Capacity (Btu/h)

Line-up	9k	12k	18k	24k	30k	36k	42k	48k	60k
H-Inverter	UUA1	UUB1	UUC1	UUD1					
Standard				UUD3					
Compact		UUA1	UUB1	UUC1					

Differentiated Specification

LG Single split provides differentiated features (Performance / Installation / Convenience) by each product line.

Items	H-INVERTER	STANDARD	COMPACT	19Y Standard (R32)	
	High Performance	Wide Commercial Applications	Compact & Cost Effective		
Performance	SEER Class	A+++ - A+	A++ - A+	A++ - A	A++ - A+
	Cooling Capacity* @48°C	112%	105%	88%	100%
	Heating Capacity* @-15°C	124%	107%	98%	100%
	Operation Range* (Cooling, DB)	-20 ~ 50 °C		-10 ~ 48 °C	-15 ~ 48 °C
	Operation Range* (Heating, WB)	-20 ~ 18 °C		-15 ~ 18 °C	-18 ~ 18 °C
Installation	Max. Pipe Length*	50 m		35 m	50 m
	Cooling Capacity* @50m	113%	109%	-	100%
	Drain Pump (Cassette)	●	●	●	●
	Drain Pump (Mid-static Duct)	●	Accessory	Accessory	Accessory
	Humidity Control (Cassette, Suspended, Console)	●	●	●	●
Convenience	Wi-Fi (cassette)	Accessory	Accessory	Accessory	Accessory
	Floor Detection (cassette)	Accessory	Accessory	Accessory	N/A
	Air Purifying (cassette)	Accessory	Accessory	Accessory	N/A
	Human Detection (cassette)	Accessory	Accessory	Accessory	Accessory
Others	Synchro Application	N/A	36k ↑	N/A	36k ↑
	AHU Comm. Kit Application	18k ↑	18k ↑	24k ↑	18k ↑

※ Based on internal test data for 6.8kW model. (compared to 19Y standard model)
 ※ This specification can be different as per each model or combination.

Premium Solution for Retail Ceiling Cassette



Maximizing Business, Minimizing Cost

Premium Design & Customer Oriented Functions

- Premium interior with brighter (white) panel suits any shop
- Customer oriented functions with intelligent functions (Direct/Indirect Mode)
- Uniform space cooling & heating by power cooling & heating mode

Energy Savings

- Low operation cost by High SEER products
- Adjust evaporating temperature by dual sensing (Humidity + Temperature)
- Various energy saving solutions (scheduling, energy monitoring and interlocking)
- Real-time energy monitoring

Ease of Operation and Maintenance

- Convenient control via smartphone
- Intuitive wired remote controller

Customized Solution for Office Ceiling Cassette

Supporting Efficiency with Fresh and Comfort Air

Comfortable Office Environment

- Human oriented air flow (Direct/Indirect/Refresh mode)
- Foot thermal comfort by floor temperature detection
- Powerful performance by power cooling & heating mode
- High ceiling operation such as lobbies and reception areas (Max. 5m)

Energy Savings

- Adjust evaporating temperature by dual sensing
- Low operation cost with High SEER products
- Auto on/off operation by human detection
- LG's smart central controller provides a variety of energy saving solutions (scheduling, interlocking, peak control and energy navigation)

Ease of Operation and Maintenance

- Convenient control via smartphone
- Easy maintenance by elevation grille
- Convenient diagnosis by black box function



Comfort Solution for Residential: Ceiling Concealed Duct



Creating a Comfortable Home with Low Cost

Simple & low cost Installation for Entire House

- Cooling or heating for several rooms with one set of Ceiling Concealed Duct
- Easy control of air volume for each rooms by zone controller accessory
- Flexible installation by ESP control

Energy Savings

- Low operation cost with High SEER product
- Various energy saving solutions (scheduling, energy monitoring and interlocking)

Ease of Operation

- Anytime, anywhere control via smartphone
- Intuitive wired remote controller

Optimized Solution for Technical: Wall Mounted

Reliable and Efficient Technical Cooling

Reliability

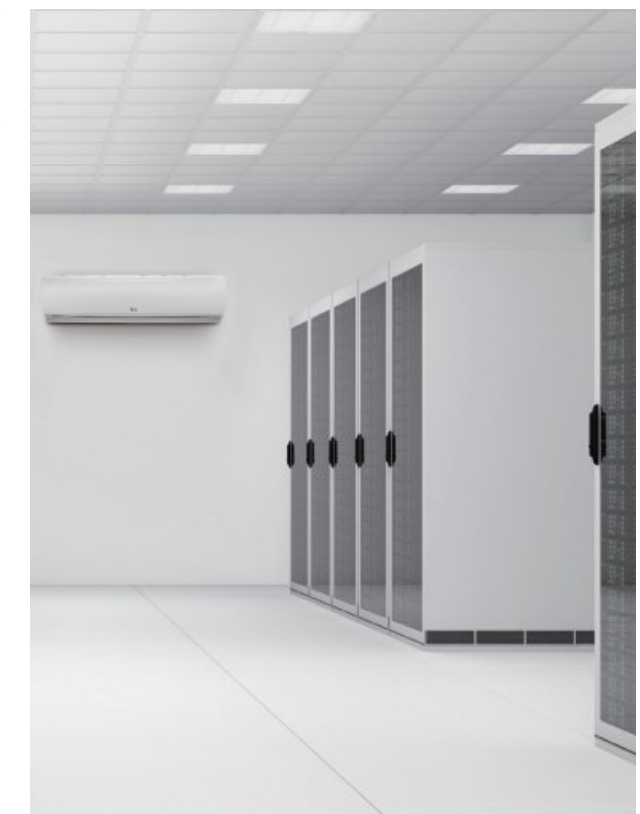
- Continuous cooling operation at -20 ~ 52°C*
- Quick & Reliable operation with temperature & pressure control
- Round-the-clock cooling (24h, 365 days)
- Power cooling mode for peak time
- Duty operation via a server room controller

Energy Savings

- Low operation cost by High SEER product
- Real-time energy monitoring

Ease of Operation and Maintenance

- Convenient control via remote controller or centralized control
- Immediate diagnosis via mobile LGMV
- Accurate diagnosis via black box function



Enjoy A New Level Of Fresh Air

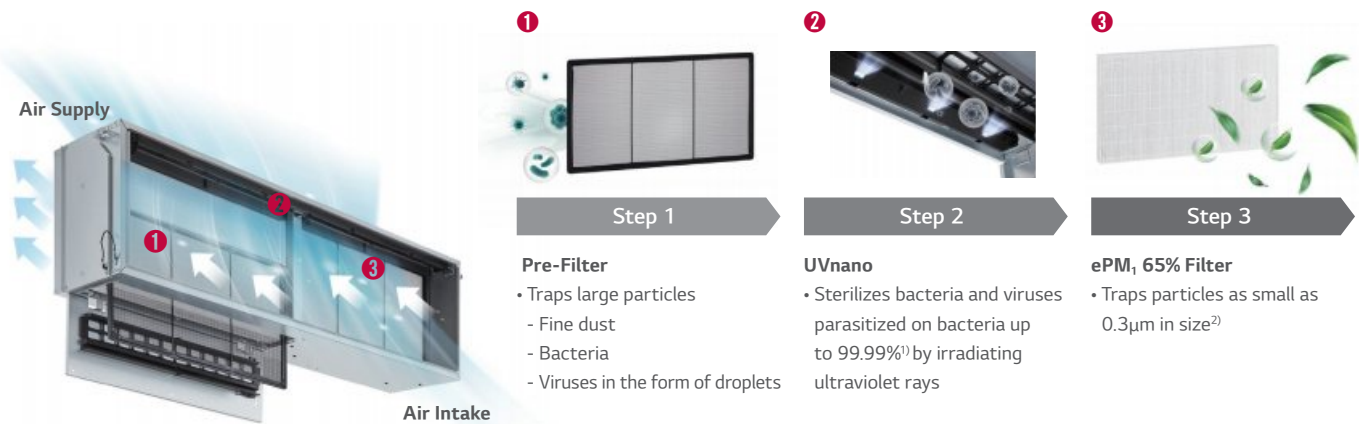
UVnano™ Filter Box

for Ceiling Concealed Duct

LG UVnano Filter Box can effectively create a safe indoor environment by trapping and removing various harmful substances such as Ultrafine dust, bacteria and viruses in the form of droplets.



Air Purification Operation



1) Based on TÜV Rheinland test conducted according to LG test method in compliance with ISO 20743, removing 99.99 of percent of Staphylococcus aureus, Staphylococcus epidermidis, and Klebsiella pneumoniae after being exposed to UV LED lights for 4 hours (Tested Models : PBM13M3UA0, PBM13M2UA0, PBM13M1UA0)
 2) Based on KCL (Korea Conformity Laboratories) test conducted in compliance with ISO 16890

Certificate



Certified Test Report
 The built-in UV LED module of tested model (PBM13M3UA0) has over 99.99% disinfection performance on average to bacteria at measuring points of the Pre-Filter under the proposed test condition.

**Tested by TÜV Rheinland Standard



Certified Test Report
 The built-in UV LED module of tested model (PBM13M3UA0) has 99.99% disinfection performance to virus (Phi X 174) at measuring points of the Pre-Filter under the proposed test condition.

**Tested by TÜV Rheinland Standard

ePM₁ 65% Filter

ePM₁ 65% Filtering capability rating in accordance with ISO 16890



Certified Test Report Comparison of Filter Classes



Filter Class	ISO 16890 (Average Efficiency)				ASHRAE 52.2 Filter Rating
	ePM ₁	ePM _{2.5}	ePM ₁₀	Coarse	
G1	-	-	-	-	MERV 1-4
G2	-	-	-	30% - 50%	MERV 1-4
G3	-	-	-	45% - 65%	MERV 5
G4	-	-	-	60% - 85%	MERV 6-8
M5	5% - 35%	10% - 45%	40% - 70%	80% - 95%	MERV 8-10
M6	10% - 40%	20% - 50%	45% - 80%	> 90%	MERV 9-13
F7	40% - 65%	50% - 75%	80% - 90%	> 95%	MERV 13-14
F8	65% - 90%	75% - 95%	90% - 100%	> 95%	MERV 14-15
F9	80% - 90%	85% - 95%	90% - 100%	> 95%	MERV 16

** Tested by KCL (Korea Conformity Laboratories)
 ※ ISO 16890 Standard provides lab evaluation procedures which more realistically simulate actual operating conditions, replacing EN 779 Standard's filter classes G1-F9 by a classification system based on particulate groups PM1, PM2.5 and PM10.
 ※ Unlike EN 779 Standard which specifies Filter Classes, ISO 16890 Standard classifies according to Filter Groups, evaluating a filter's performance by its arrestance of particles from 0.3μm to 10μm in size. Filter Group PM1 comprises particulate sizes ≤ 1.0μm, PM2.5 includes particulate sizes ≤ 2.5μm and PM10 covers particulate sizes ≤ 10μm.
 ※ Minimum efficiency is defined as the efficiency achieved following electrostatic discharge of the filter before testing.
 ※ Average efficiency is calculated by averaging the filter's efficiencies in the untreated state (before electrostatic discharge) and in the discharged state.

SEER / SCOP

LG's advanced technologies achieve world-class energy efficiency.



SEER / SCOP class

kW	2.5	3.4	5.0	6.8	8.0	9.5	Average
SEER	7.0	6.8	7.6	8.5	7.8	7.6	7.6
	A++	A++	A++	A+++	A++	A++	A++
SCOP	4.0	4.0	4.4	4.8	4.8	4.5	4.4
	A+	A+	A+	A++	A++	A+	A+

※ These values are based in the H-Inverter Ceiling Cassette model and can change based on the applied combination.

European Energy Labeling

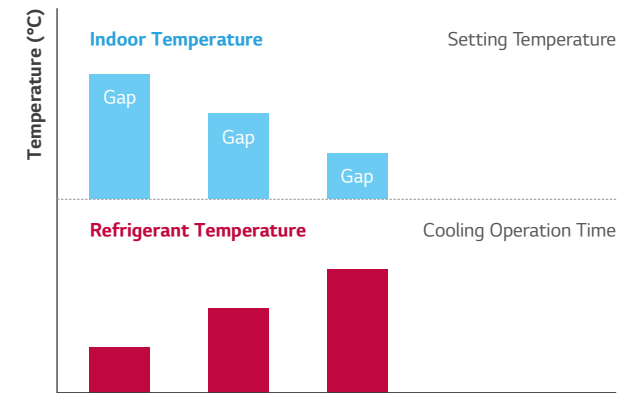
	SEER	SCOP
A+++	SEER ≥ 8.5	SCOP ≥ 5.1
A++	6.1 ≤ SEER < 8.5	4.6 ≤ SCOP < 5.1
A+	5.6 ≤ SEER < 6.1	4.0 ≤ SCOP < 4.6
A	5.1 ≤ SEER < 5.6	3.4 ≤ SCOP < 4.0
B	4.6 ≤ SEER < 5.1	3.1 ≤ SCOP < 3.4
C	4.1 ≤ SEER < 4.6	2.8 ≤ SCOP < 3.1
D	3.6 ≤ SEER < 4.1	2.5 ≤ SCOP < 2.8

※ Based on Ceiling Cassette (6.8 kW)

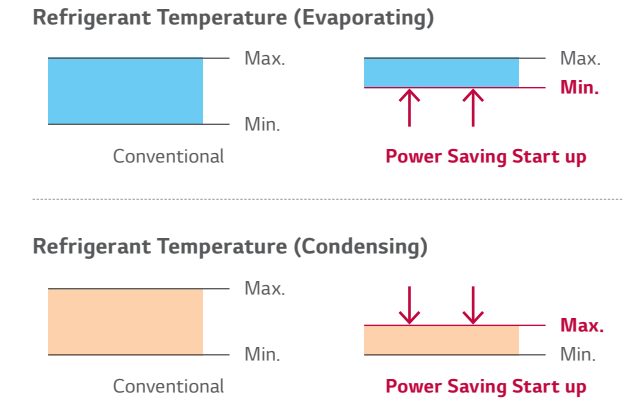
Energy Savings

LG commercial air conditioners will automatically alter the temperature of discharge air by controlling their refrigerant temperature based on the difference between the indoor temperature and the target indoor temperature. During cooling operation, evaporating temperature will increase if the temperature difference reduces. This allows for enhanced comfort and reduced energy consumption.

Comfortable Indoor Air

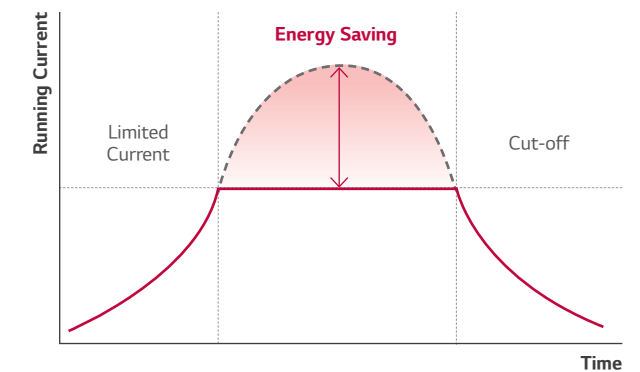


Energy Saving



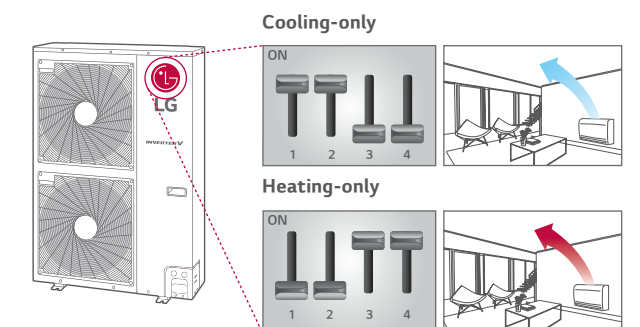
Peak Current Control

The peak current control function prevents the air conditioner from running at the maximum level while maintaining current system settings, in order to reduce energy consumption. This function helps minimize energy costs during the peak periods of energy use when the energy billing is much higher.



Mode Lock

Set the operation mode to either cooling-only or heating-only, either by adjusting the wired remote controller or setting the DIP switch to avoid combined use of cooling and heating. (Some models need wired remote controller for mode lock function according to feature overview table)



Comfort with Temperature & Humidity Sensors

With Dual Sensing Control, air conditioners can rapidly achieve a comfortable indoor environment for customers.



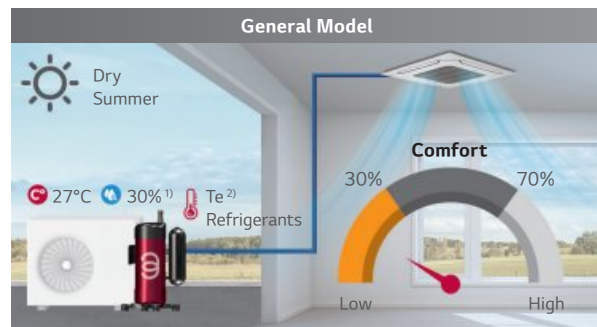
By sensing both temperature and humidity, this feature helps avoid over-cooling and dehumidification, maximizing comfort



※ Comfort cooling apply to Ceiling Cassette, Ceiling Suspended, Console
- It does not apply to small capacity cassette models. (UT09FH, UT12FH, CT09F, CT12F, CT18F)

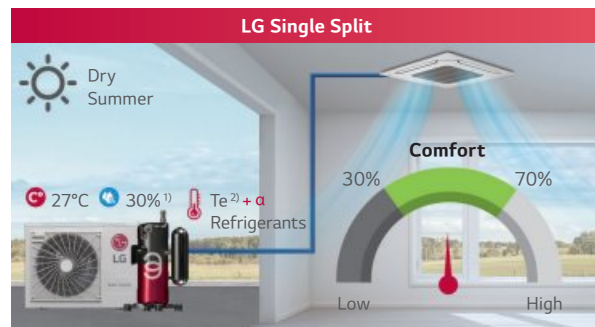
Dry Summer

During a dry summer season, the system senses the low humidity levels and decreases the operating ratio to increase humidity for a more comfortable environment and energy efficient operation.



- **Uncomfortable Environment**
Excessive latent heat elimination regardless of humidity
- **Waste Energy**
Eliminate latent heat unnecessarily

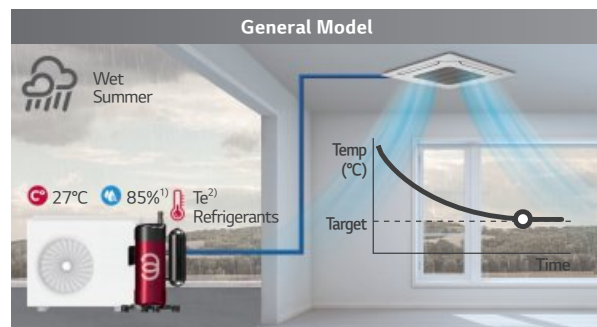
※ Humidity Condition : Low (<30%), Standard (30-70%)
1) Indoor Condition 2) Evaporation Temperature



- **Comfortable Environment**
By making the room less dry
- **Increased Energy Efficiency**
provides optimized cooling and saves energy considering humidity

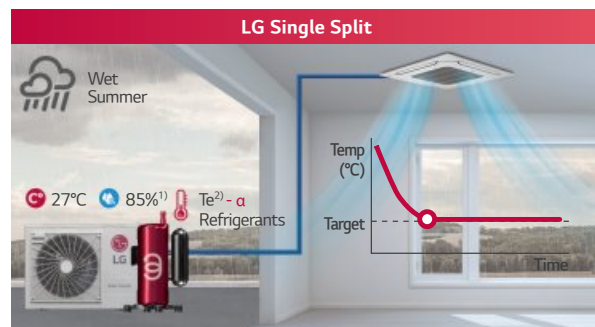
Wet Summer

During a wet summer season, the system senses the high humidity levels and increases the operating ratio to rapidly decrease humidity for a more comfortable indoor environment.



- **Uncomfortable Environment**
General latent heat elimination regardless of humidity

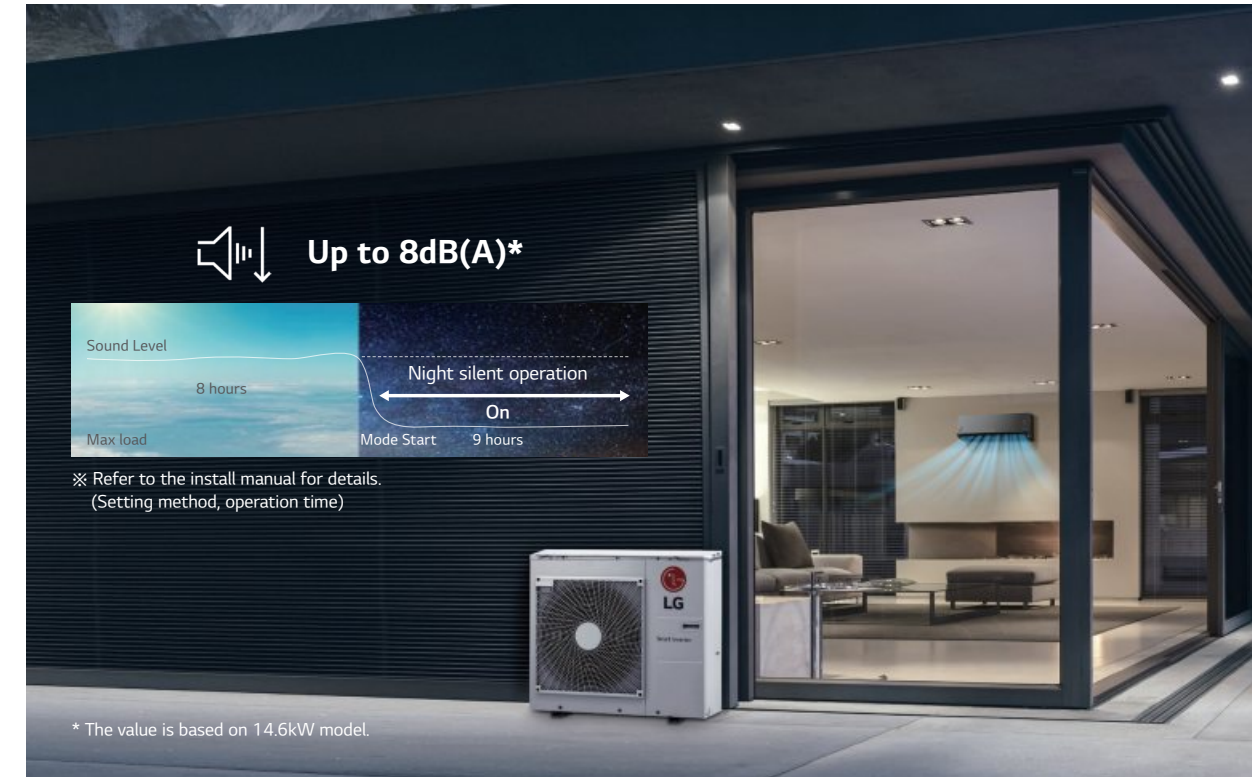
1) Indoor Condition 2) Evaporation Temperature



- **Comfortable Environment**
Quick latent heat elimination with humidity sensors

Night Silent Operation

Night Silent Operation can reduce noise levels at night time by simply setting the dip switch on the PCB of the outdoor unit.

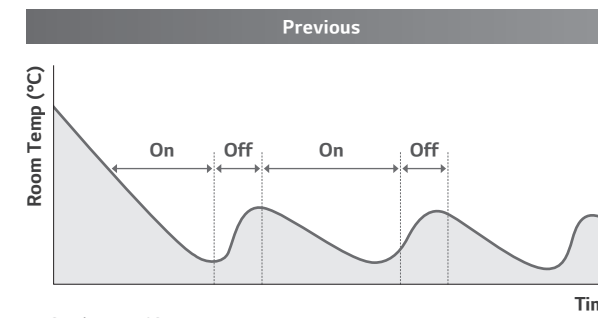


※ Refer to the install manual for details. (Setting method, operation time)

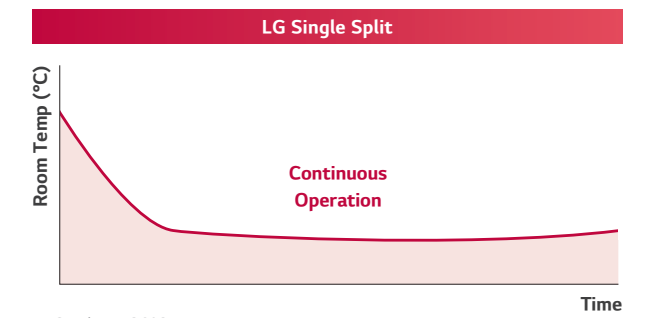
* The value is based on 14.6kW model.

Continuous Cooling Operation

LG Single Split is able to perform continuous cooling at low ambient temperature. (as low as -15°C)



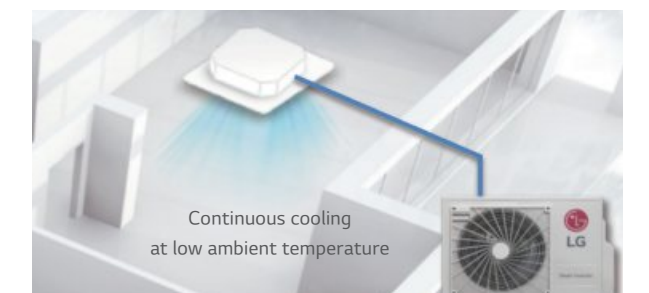
※ Outdoor -15°C



※ Outdoor -20°C



※ Based on a stand 36k model. (before 2019)

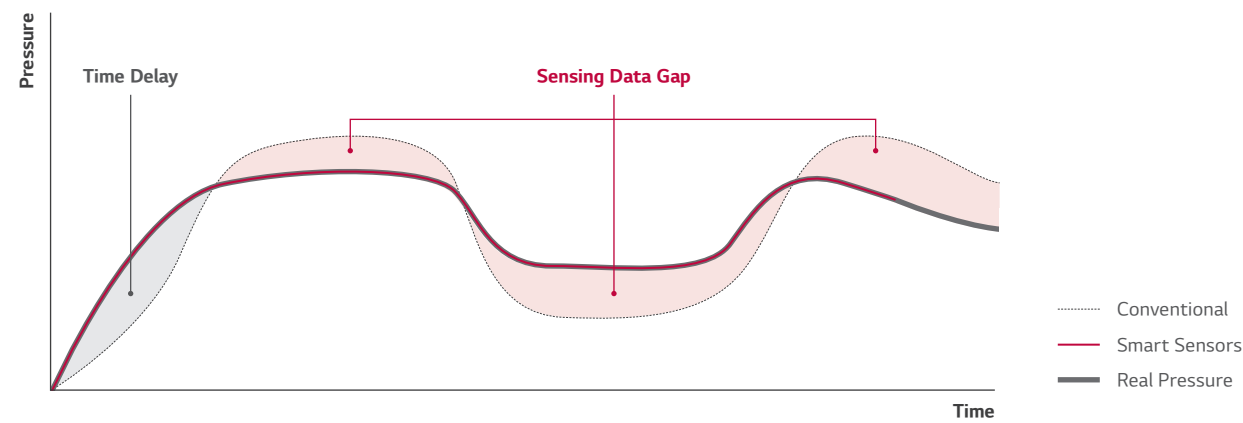
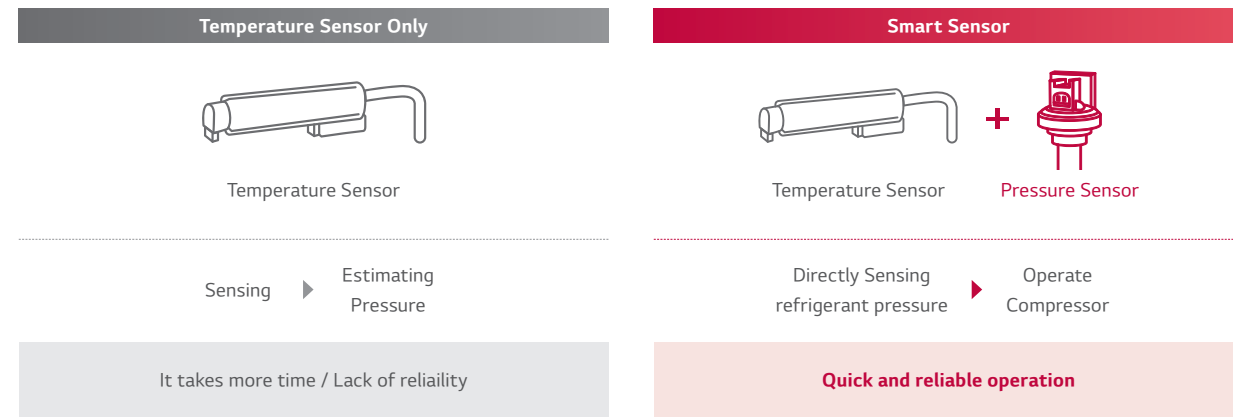


※ Based on a stand 36k model. (after 2019)

Quick & Reliable Operation

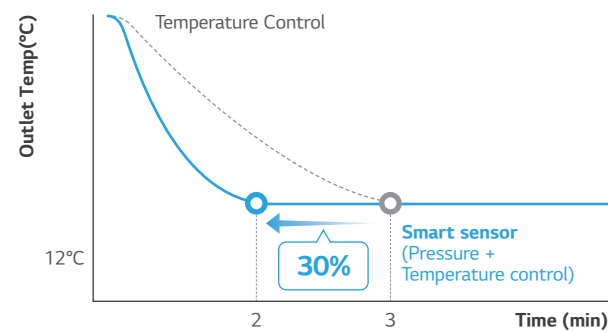
Through pressure and temperature sensing, the desired indoor temperature can be reached more rapidly.

- Quick response due to sensing and ready for operation mode.
- Target performance point is reached while avoiding compressor damage from liquid compression or oil shortage.



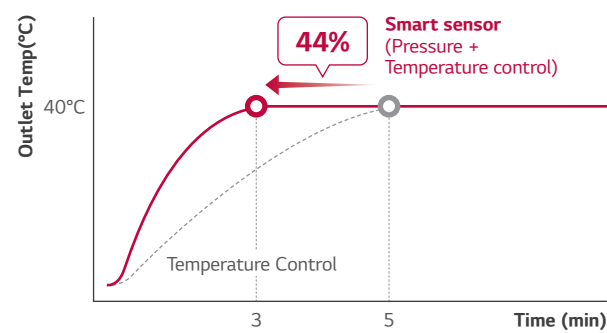
- With pressure sensing, the desired temperature is achieved in 30% less time in cooling and 44% in heating.

Cooling



※ Based on internal test data.

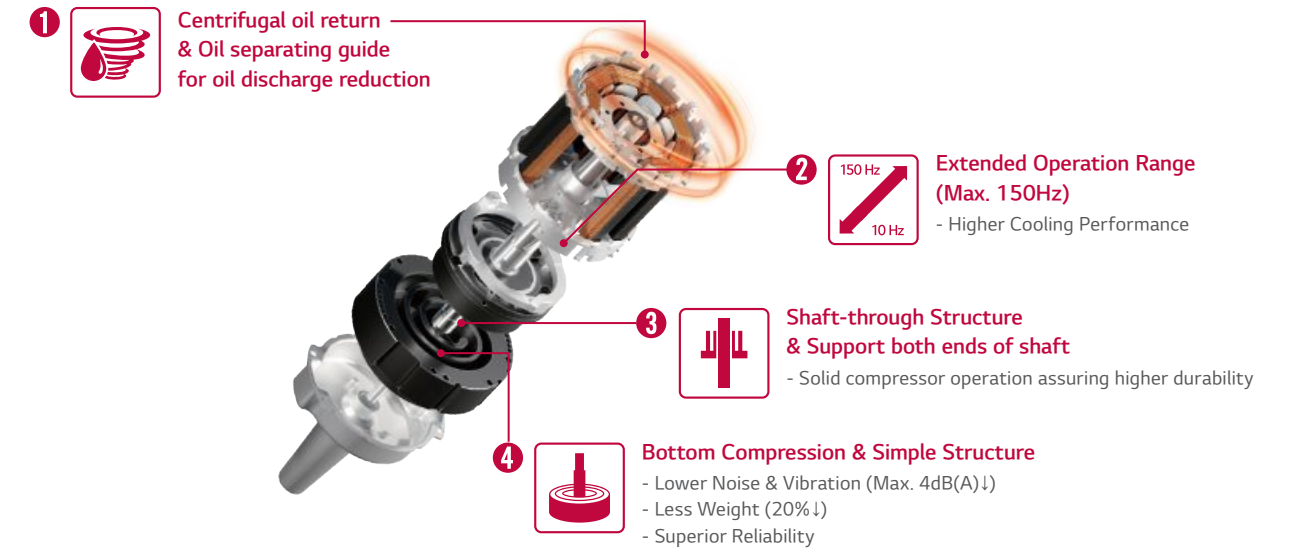
Heating



※ Based on internal test data.

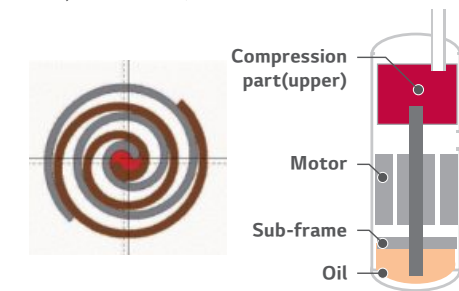
R1 Compressor™

R1 Compressor is one that combines high efficiency, low sound characteristics of the scroll and the simple compressing structure of the rotary compressor. This technology results in a highly efficient compact model.

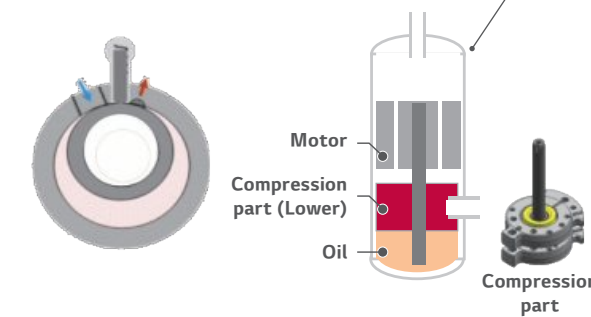


Conventional Compressor

Scroll
High efficiency / Low sound (Continuous compression, but complex structure)

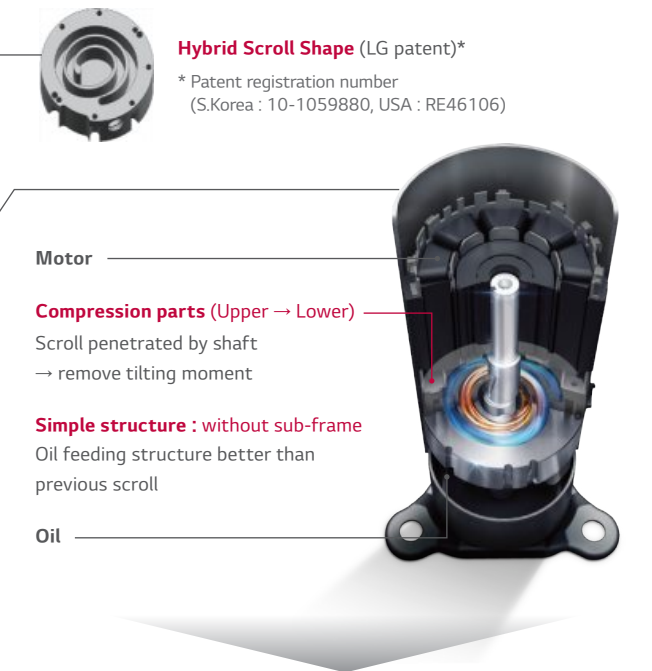


Rotary : Simple structure (Compression per 1 rotation)



R1 Compressor™

Revolutionary Scroll
High efficiency / Stable & Simple Structure



Extended operation (Max. 150Hz)
Low noise & Vibration (Max. 4dB(A)↓)
Less weight (20%↓)

Corrosion Resistance Black Fin

The black coating with enhanced epoxy resin is applied for strong protection from various external corrosive conditions such as salt contamination and air pollution including fumes from factories.

Longer Lifespan, Lower Maintenance Costs

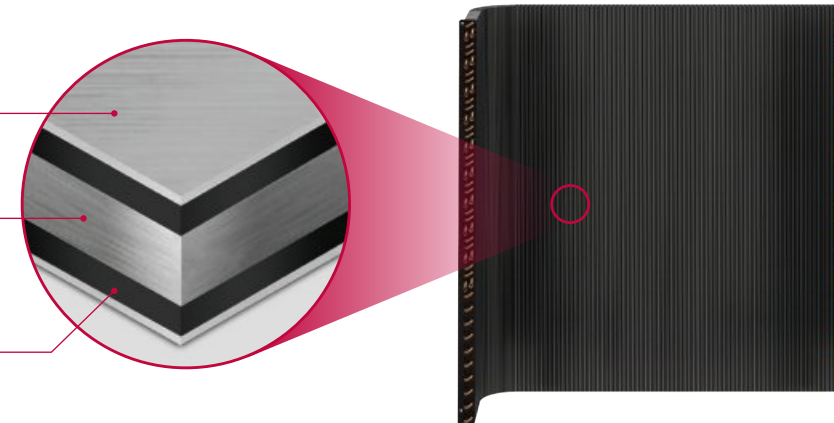
Hydrophilic film (Water flow)

The Hydrophilic coating minimizes moisture buildup on the fin.

Complex resin (Corrosion resistant)

The Black coating provides strong protection from corrosion.

Aluminum Fin



※ The product is not fully protected from corrosion.
To install near the sea, additional treatment might be required.

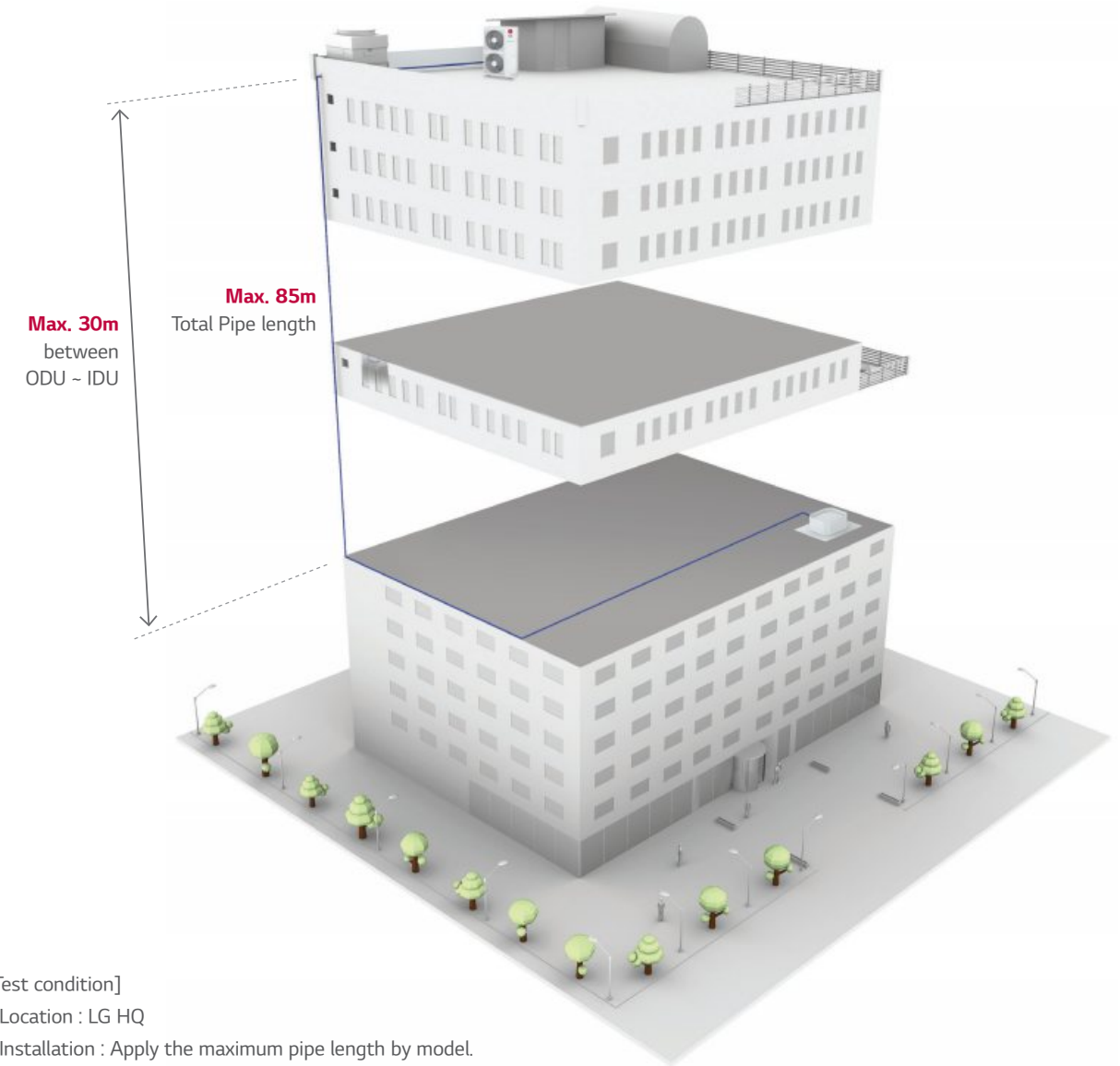
Verified Protection



※ Verification of corrosion resistance performance
- Test Method B of ISO 21207
- ASTM B117 / ISO 9227 (10,000 hours)

Long Pipe Installation

Maximum pipe length up to 85m and elevation length up to 30m provides flexibility for various conditions and easy installation.



- [Test condition]
- Location : LG HQ
 - Installation : Apply the maximum pipe length by model.
 - Period : 3 month (Checking oil level in real time)
 - No use U-Trap

Model name	UUA1	UUB1	UUC1	UUD1 / UUD3
Maximum pipe length	20 m	30 / 35* m	50 m	85 m
Maximum Height Difference (ODU-IDU)	15 m	30 m	30 m	30 m

* Compact 6.8 / 8.0kW

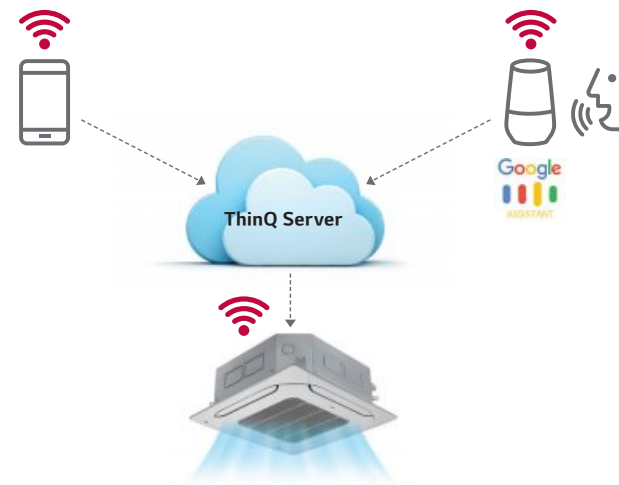
ThinQ™

Users can control air conditioners using Android or iOS-enabled smartphones and voice commands via Google assistant and Amazon's Alexa.

Download on the App Store | GET IT ON Google Play

Controlling & Monitoring | Reservation | Energy Monitoring

Access your air conditioner anytime and from anywhere



Simple operation for various functions

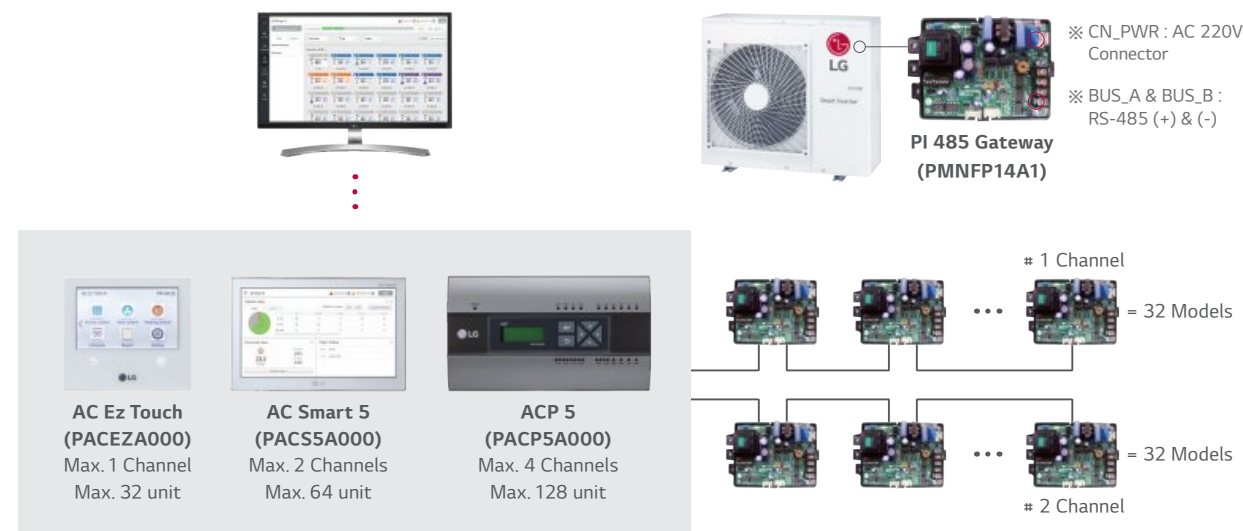
- Air Purify*
- On / Off*
- Mode Selection*
- Current temperature*
- Set temperature*
- Set fan speed*
- Vane Control

* Search "ThinQ" on Google or Apple store then download the app.
 * Wi-Fi modem (PWFMD200) is required by option.
 * For our policy of continuous ThinQ App improvement, specification, design and features are subject to change without prior notice.

* This functions are used by google assistant
 * In some countries, the use of the google assistant system may be restricted.
 - Launched in countries: Germany, UK, Ireland, Austria, Switzerland, France, Spain, Italy, Russia, Norway, Netherlands, Portugal, Turkey, Sweden, Denmark

Easy Control (Central Controller)

PI-485 is a gateway device that provides communication between LG Outdoor Units and LG central controllers such as ACP, AC Smart.



1 Point External Input (On / Off Control)

An indoor unit can be controlled by external devices without a dry contact, so customers can save cost of installation.

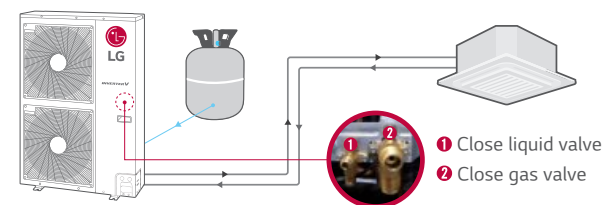
Connection between an indoor unit and external devices directly



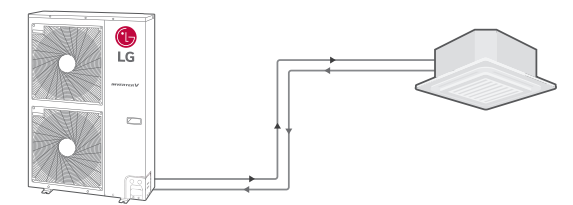
Forced Cooling Operation

This function allows the refrigerant to be recharged or pumped down, regardless of the indoor temperature. Note that this function can be used when indoor units are being moved or repaired.

Recharging



Pump Down



Mobile LGMV

LGMV(Monitoring View) helps engineers to inspect and monitor an air conditioning unit easily.



Error Indicator

Contents	
01	Air temperature sensor of an indoor unit
02	Inlet pipe temperature sensor of an indoor unit
03	Communication error : Wired Remote Controller ↔ Indoor Unit

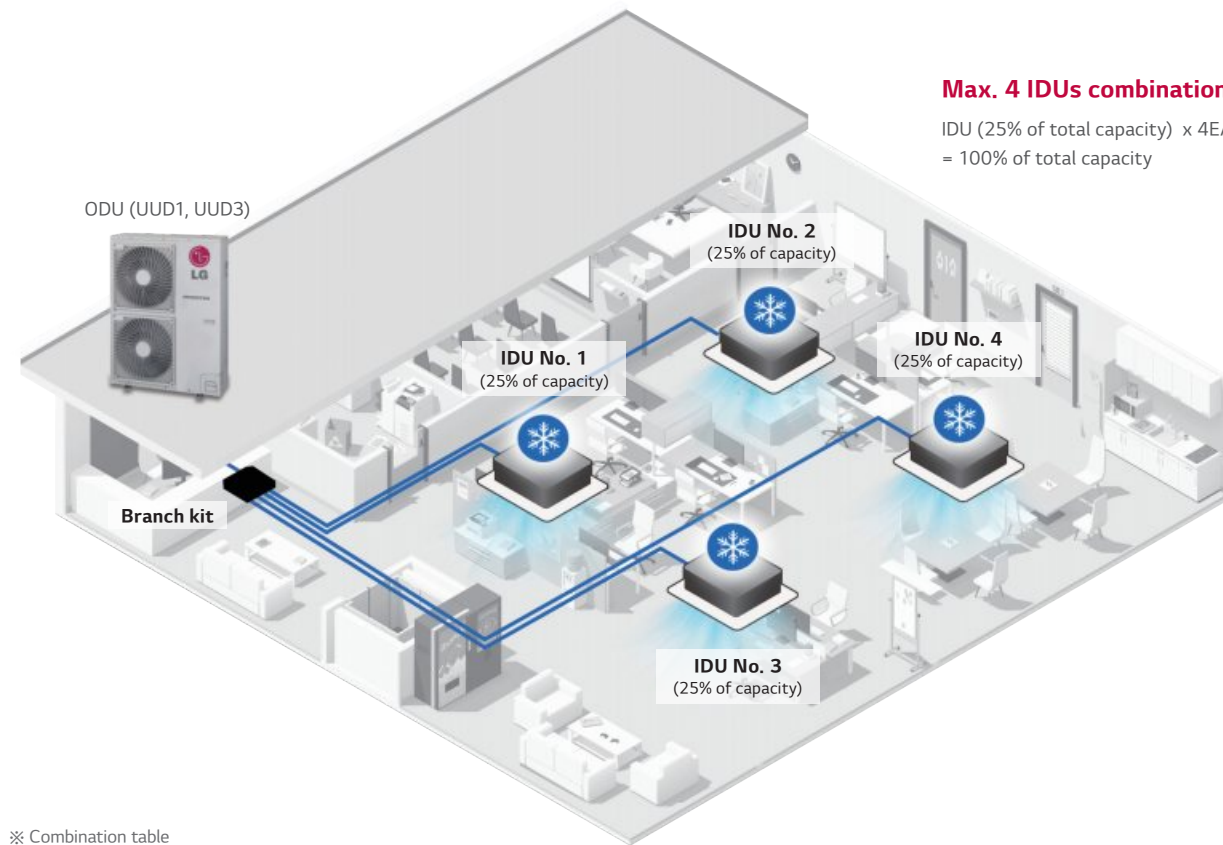
Cycle Monitoring | Diagnosis | Installation | Smart Management

A technician not only can check the cycle information with diagrams & graphs, but also check easily the error status (Troubleshooting guide) and take action immediately.

* Search "Mobile LGMV" on Google or Apple store then download the app.
 * Wi-Fi modem (PWFMD200) is required by option.

Synchro Function

Maximum 4 indoor units can be combined by using a branch kit and setting dip switch for one outdoor unit. It can be easily applied to various sites.



※ Combination table

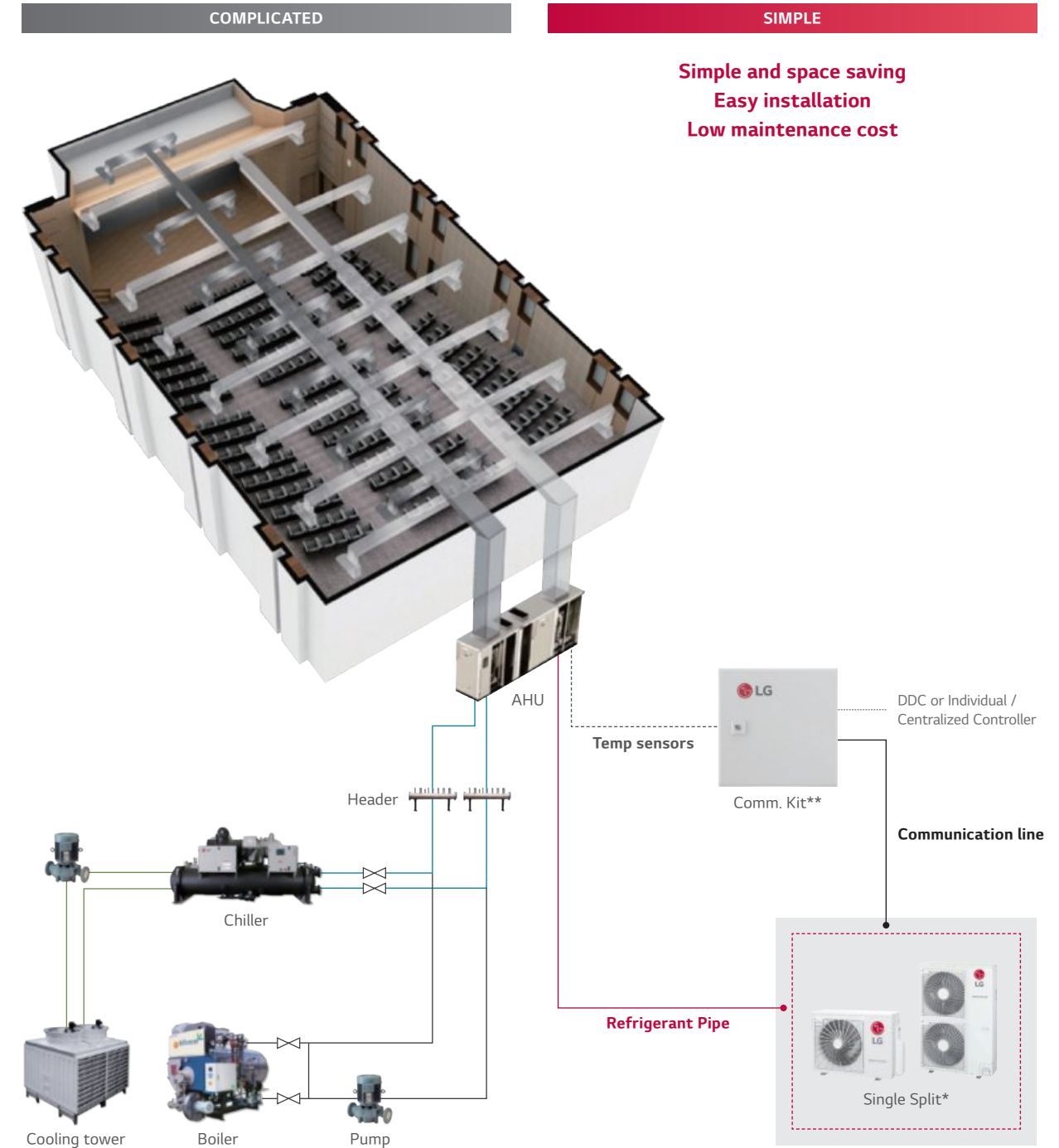
	2 PMUB11A		3 PMUB111A		4 PMUB1111A	
Model	Duo		Trio		Quartet	
	Cassette	Duct	Cassette	Duct	Cassette	duct
UUD1, UUD3	CT18F x 2EA	CM18F x 2EA	CT12F x 3EA	CL12F x 3EA	CT12F x 4EA	CL12F x 4EA
	CT24F x 2EA	CM24F x 2EA	CT18F x 3EA	CM18F x 3EA	-	-
	UT30F x 2EA	UM30F x 2EA	-	-	-	-
Branch kit	PMUB11A		PMUB111A		PMUB1111A	
Dip switch						

Note

- Possible indoor units : Single CAC indoor unit series
 - Dry contact & Zone control & Auto changeover is not available which is connected with synchro.
 - When using synchro operation
 - Do not use wireless remote controller.
 - Use only one wired remote controller in the indoor units.
 - Some Central controllers and some functions of central controller can not be available with synchro operation.
- Branch kits are required for operating Synchro models.

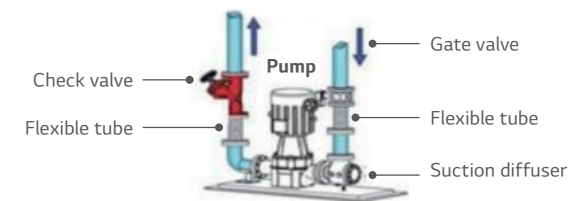
Connection with AHU

Single split can be connected to AHU using communication kit.



Simple and space saving
Easy installation
Low maintenance cost

Complicated piping work



* The single model can be applied only to UUB1, UUC1, UUD1, UUD3
 ** Model name of communication kit
 - RA air temperature control : PAHCMR000
 - SA air temperature control : PAHCMS000

CEILING MOUNTED CASSETTE



4 Way Air Flow with New Dual Vane Design

Innovative dual vane designs with the best airflow for various spaces.



New Types of Wind Solutions

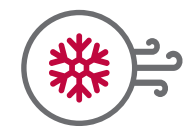
Indirect Wind



Direct Wind



6 Air Flow Modes



Power Mode
Fast and Quick



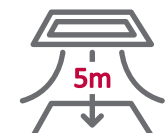
Up / Down Swing
Fresh and Natural



Smart Mode
Auto Vane Control



Indirect Wind
Indirect cooling & Heating



Direct Wind
Suitable for High Ceiling



Refresh Mode
Provide high concentration

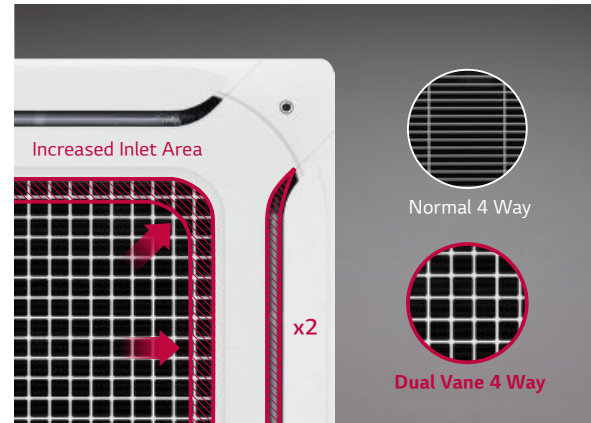
Brighter Color

Color enhancement allows cassette to blend into most interior ceiling spaces.



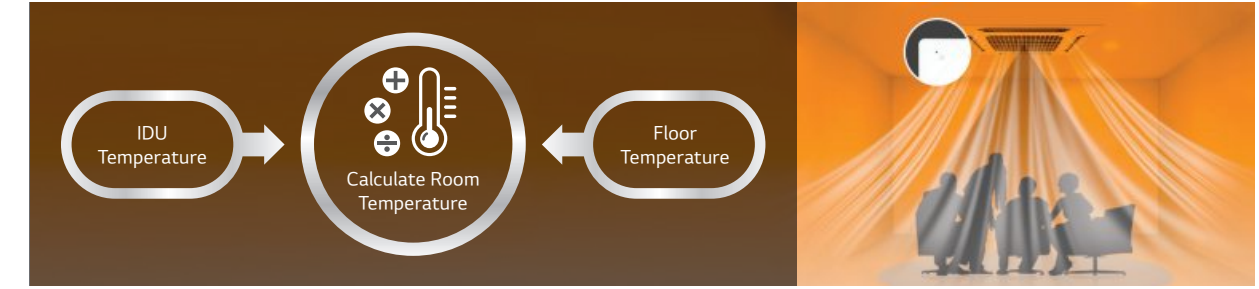
Wide Design

Bigger inlet and outlet make faster cooling / heating airflow.



Sensor Reads Temperature from Ceiling to Floor for Heating

An indoor unit provides the human oriented room temperature according to the floor and ceiling temperature measured by thermopile sensors.



※ Available only for products with a floor temperature sensor.

Human Detecting Direct / Indirect Airflow

Human sensing function locates users to provide an adapted airflow.

Comfort Indirect

Prevent an airflow from heading to a user by sensing.



Follow user Direct

Direct an airflow to a user by sensing.



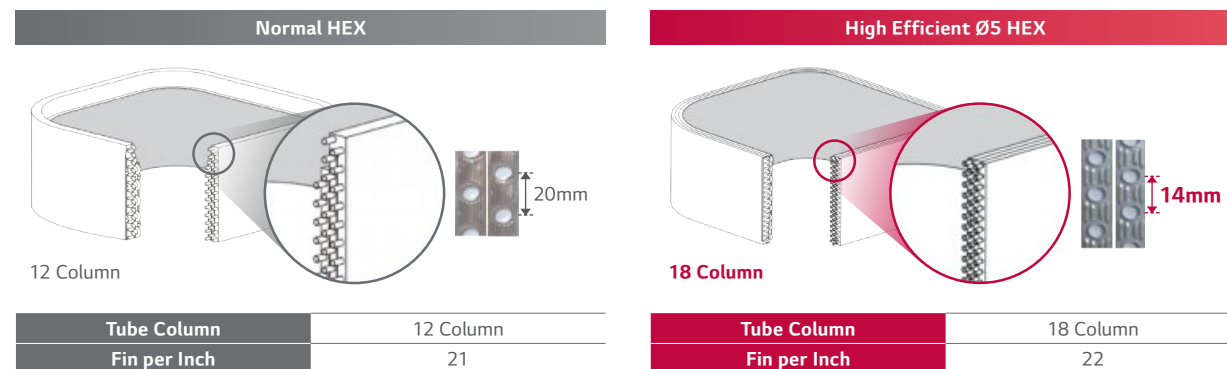
Full 3D Turbo Fan

Full 3D Turbo fan decreases air resistance, creating high efficiency and reducing the noise level.



High Efficiency Heat Exchanger (HEX)

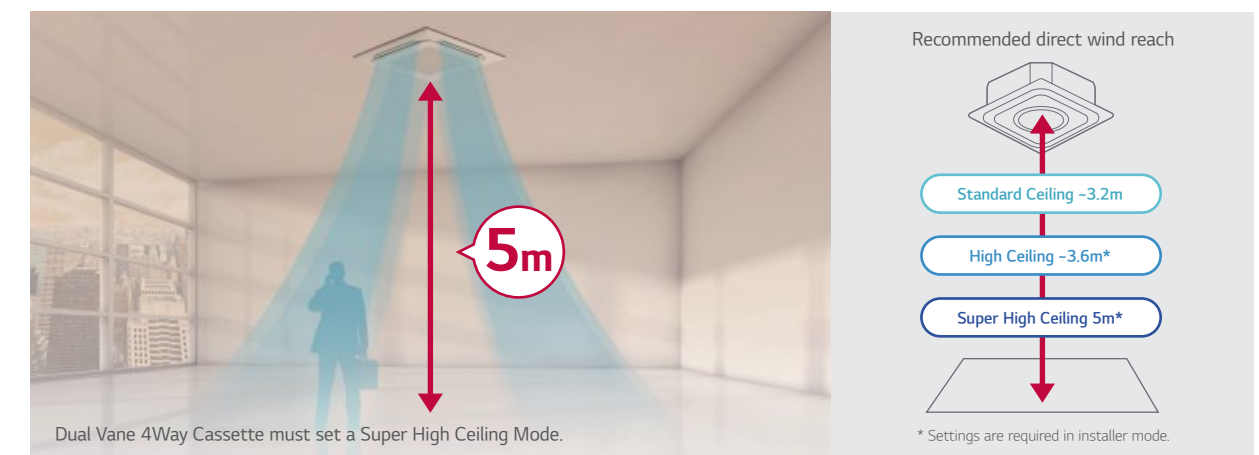
A highly integrated heat exchanger serves to increase cooling and heating efficiency.



※ This specification can be different as per each model.

Direct Wind

The wind can reach up to 5m with plenty of air volume. (@ 0.5ms)

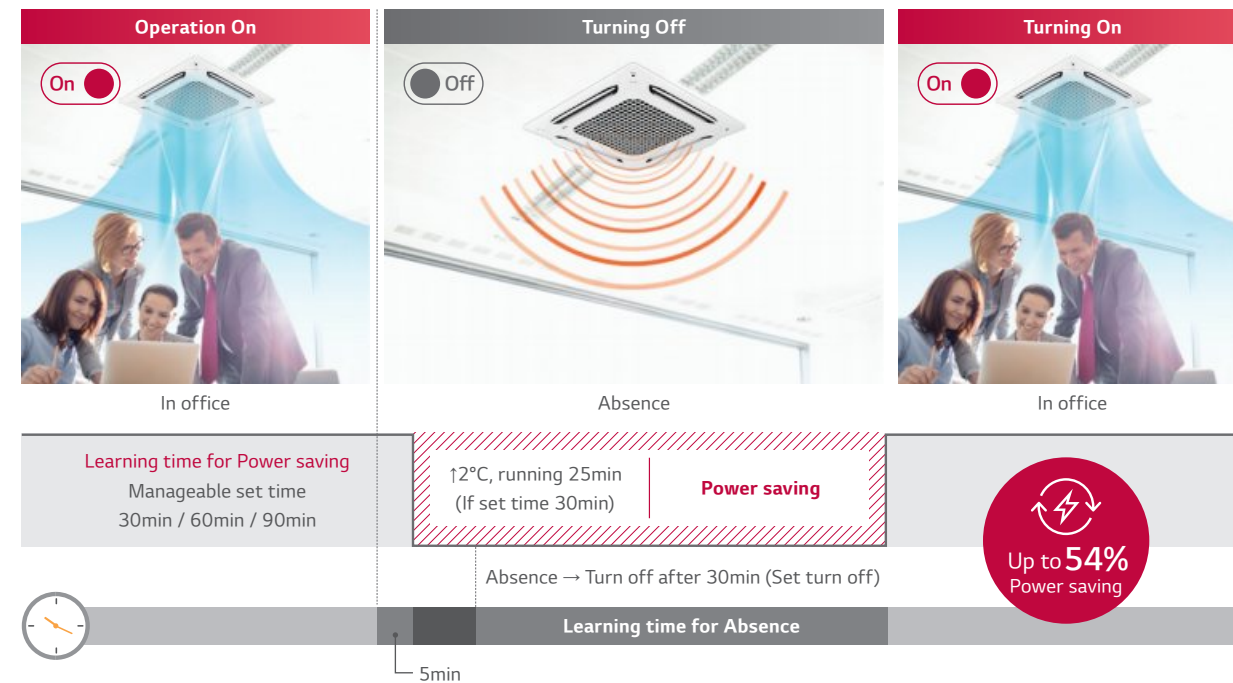


Dual Vane 4Way Cassette must set a Super High Ceiling Mode.

* Settings are required in installer mode.

Human Detecting On / Off Learning Operation System

An indoor unit senses people to switch On / Off for up to 54% power saving.



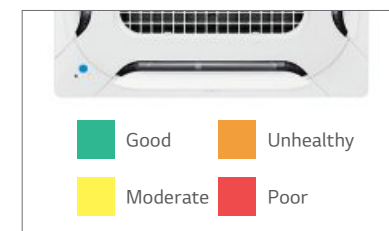
※ Data Based on actual test of LG, single product 2 hours measurement result. (Cooling 26 °C, strong wind)

Various Display of Air Purification

Installed Wi-Fi leads unlimited boundary to control IDU and display Air Purification status.

Smart indicator

Shows the quality of indoor air in real time



Remote controller

Displays Air status and Fine Dust Concentration



Mobile

Whenever & Wherever Check and Control Air status



Pairing ThinQ

Possible to connect an indoor unit with ThinQ anywhere, anytime.

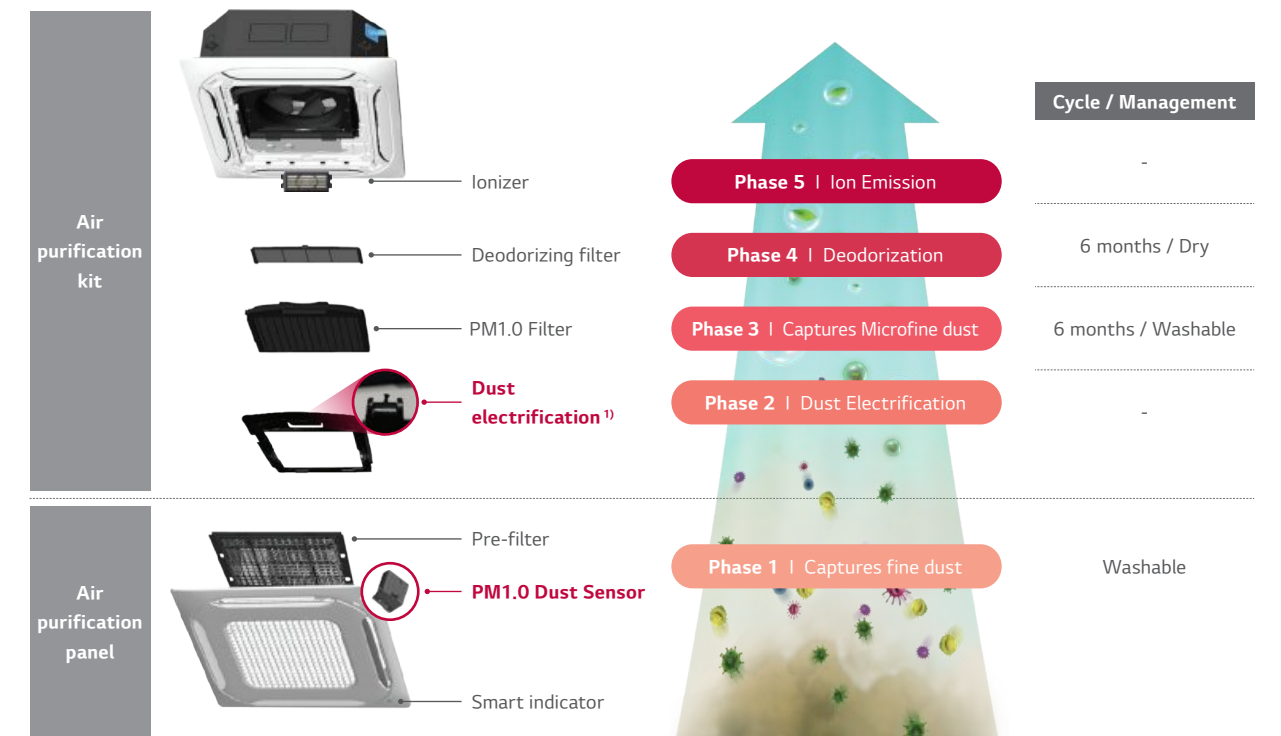
- Monitoring Air status : Easy to check indoor air status
 - Microfine dust / Ultra fine dust / Fine dust
 - Day / Week / Month / Yearly
- Mobile Remote Control : Remote control by using mobile phone
 - Control Mode / Temperature / Air flow etc.
- Display Power Consumption : Check power consumption of A/C
 - Check energy display
 - Set target energy consumption level

※ For our policy of continuous improvement, specification, design and features are subject to change without prior notice.



Convenient and Powerful Air Purification

An easy to manage air purifying system with a one-touch air cleaning filter.



1) Electrical diffusion makes dust electrification.

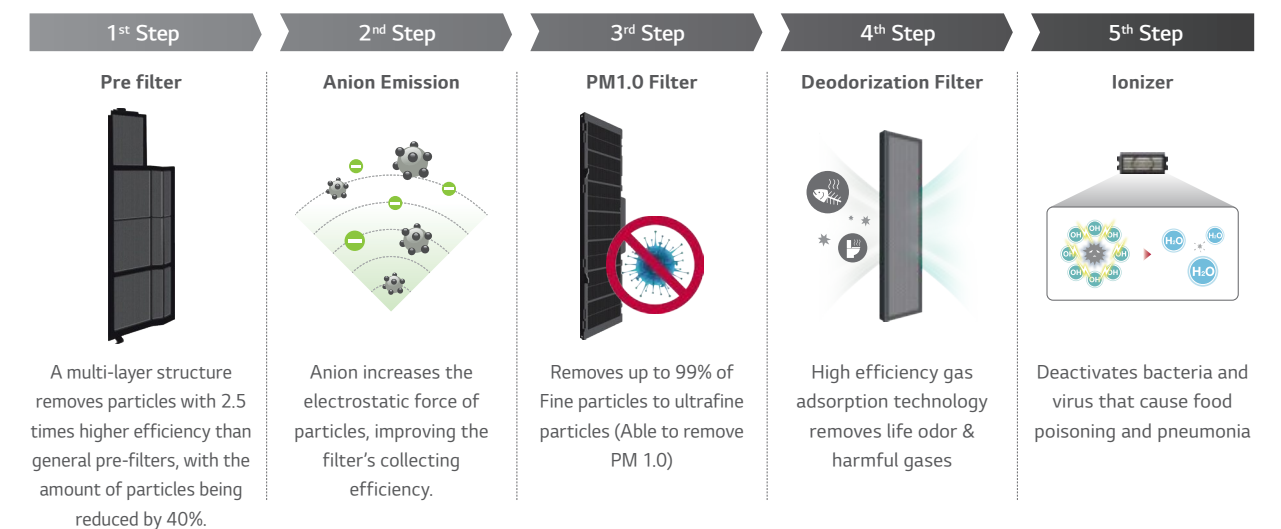
CAC certification?

The Korea Air Cleaning Association strictly tests the air cleaning function of air conditioner products and provides certification to the product that gives credibility to consumers.



Air Purification Technology

5-Steps air cleaning process removes invisible, ultra fine dust, odor and germs to ensure a clean and healthy living environment



H-INVERTER (R32)

UT09FH / UT12FH / UT18FH



LG participates in the ECP programme for EUROVENT AC program.
Check ongoing validity of certification
: www.eurovent-certification.com

UUA1 ULO UUB1 U20



H-INVERTER (R32)

UT24FH / UT30FH



LG participates in the ECP programme for EUROVENT AC program.
Check ongoing validity of certification
: www.eurovent-certification.com

UUC1 U40



COMBINATION				9	12	18
Capacity	Cooling	Min. / Rated / Max.	kW	1.6 / 2.5 / 4.0	1.6 / 3.4 / 4.8	2.0 / 5.0 / 6.0
	Heating	Min. / Rated / Max.	kW	1.7 / 3.2 / 4.5	1.7 / 4.1 / 5.8	2.3 / 5.8 / 7.0
Power Input (Set)	Cooling	Min. / Rated / Max.	kW	0.32 / 0.61 / 0.98	0.32 / 0.97 / 1.78	0.30 / 1.25 / 1.69
	Heating	Min. / Rated / Max.	kW	0.32 / 0.75 / 1.06	0.32 / 1.03 / 1.87	0.30 / 1.47 / 1.98
Running Current	Cooling	Rated	A	2.7	4.3	7.2
	Heating	Rated	A	3.3	4.6	7.7
EER / COP			kWh/kWh	4.10 / 4.30	3.50 / 4.00	4.00 / 3.95
SEER / SCOP			kWh/kWh	7.0 / 4.0	6.8 / 4.0	7.6 / 4.4
Pdesign	Cooling @ 35°C		kW	2.5	3.4	5.0
	Heating @ -10°C		kW	2.8	2.8	4.1
Seasonal Energy Label	Cooling / Heating		-	A++ / A+	A++ / A+	A++ / A+
Annual Energy Consumption	Cooling / Heating		kWh	125 / 980	175 / 980	230 / 1,305
Dehumidification Rate			l/h	0.1	0.8	1.9
ODU Sound Pressure Level	Cooling / Heating	Rated	dB(A)	49 / 52	49 / 52	47 / 52
	Cooling	Rated	dB(A)	65	65	63
Piping Connections	Liquid		mm (inch)	Ø6.35 (1/4)	Ø6.35 (1/4)	Ø6.35 (1/4)
	Gas		mm (inch)	Ø9.52 (3/8)	Ø9.52 (3/8)	Ø12.7 (1/2)
Connections Method			-	Flared	Flared	Flared
Operation Range (Outdoor)	Cooling	Min. / Max.	°C	-15 / 50	-15 / 50	-15 / 50
	Heating	Min. / Max.	°C	-20 / 18	-20 / 18	-20 / 18
INDOOR				UT09FH NQ0	UT12FH NQ0	UT18FH NB0
Power Supply			Ø / V / Hz	1 / 220-240 / 50	1 / 220-240 / 50	1 / 220-240 / 50
Power Input (IDU)		H / M / L	W	30 / 26 / 22	30 / 26 / 22	33 / 26 / 22
Air Flow Rate		H / M / L	m³/min	11.0 / 10.0 / 9.3	11.0 / 10.0 / 9.3	17.0 / 15.5 / 14.0
Dimensions	Body	W x H x D	mm	570 x 256 x 570	570 x 256 x 570	840 x 204 x 840
	Body		kg	13.9	13.9	21.1
Sound Pressure Level	Cooling	H / M / L	dB(A)	41 / 39 / 37	41 / 39 / 37	37 / 36 / 34
Sound Power Level	Cooling	Max.	dB(A)	54	54	52
Piping Connections	Drain	O.D. / I.D.	mm	Ø32.0 / 25.0	Ø32.0 / 25.0	Ø32.0 / 25.0
Recommended Decoration Panel*	Model Name		-	PT-QAGW0	PT-QAGW0	PT-AFGW0
	Color		-	White	White	White
	Dimensions	Body	mm	620 x 34 x 620	620 x 34 x 620	950 x 35 x 950
	Weight	Body	kg	3.0	3.0	7.5
OUTDOOR				UUA1 ULO	UUB1 U20	
Power Supply			Ø / V / Hz	1 / 220-240 / 50	1 / 220-240 / 50	
Circuit Breaker		Min.	A	15	20	
Power Supply Cable (Included Earth)			No x mm³	3C x 1.5	3C x 2.5	
Dimensions	Net	W x H x D	mm	770 x 545 x 288	870 x 650 x 330	
	Net		kg	33.3	44.5	
Compressor	Type		-	Twin Rotary	Twin Rotary	
	Type		-	R32	R32	
Refrigerant	GWP (Global Warming Potential)		-	675	675	
	Precharged Amount		kg	1.0	1.2	
	t-CO ₂ eq		-	0.675	0.81	
	Additional Charge (After 7.5m)		g/m	20	20	
Fan	Air Flow Rate	Rated	m³/min x No.	28 x 1	50 x 1	
Total Piping Length		Min. / Max.	m	5 / 30	5 / 30	
Piping Elevation	IDU - ODU	Max	m	30	30	

* Decoration panel can be selected as an optional accessory.

Note :

- Due to our policy of innovation some specifications may be changed without notification.
- Performances are based on the following conditions (It is accordance with EN14511)
 - Cooling : Indoor Ambient Temp 27°C DB / 19°C WB, Outdoor Ambient Temp 35°C DB / 24°C WB
 - Heating : Indoor Ambient Temp 20°C DB / 15°C WB, Outdoor Ambient Temp 7°C DB / 6°C WB
 - Interconnected Pipe is standard length and difference of Elevation (Outdoor - Indoor Unit) is 0m.
- Sound Level Values are measured at Noise Measuring chamber accordance with standard. Therefore, these values depend on the ambient conditions and values are normally higher in actual operation.
- This product contains fluorinated greenhouse gases. (R32)

COMBINATION				24	30
Capacity	Cooling	Min. / Rated / Max.	kW	2.7 / 6.8 / 8.3	3.2 / 8.0 / 9.5
	Heating	Min. / Rated / Max.	kW	3.2 / 7.9 / 9.9	3.6 / 9.0 / 10.7
Power Input (Set)	Cooling	Min. / Rated / Max.	kW	0.30 / 1.66 / 2.31	0.40 / 2.12 / 2.82
	Heating	Min. / Rated / Max.	kW	0.40 / 1.76 / 2.53	0.40 / 2.14 / 2.93
Running Current	Cooling	Rated	A	7.4	9.4
	Heating	Rated	A	7.8	9.5
EER / COP			kWh/kWh	4.10 / 4.48	3.77 / 4.20
SEER / SCOP			kWh/kWh	8.5 / 4.8	7.8 / 4.8
Pdesign	Cooling @ 35°C		kW	6.8	8
	Heating @ -10°C		kW	5.5	5.5
Seasonal Energy Label	Cooling / Heating		-	A+++ / A++	A++ / A++
Annual Energy Consumption	Cooling / Heating		kWh	280 / 1,604	359 / 1,604
Dehumidification Rate			l/h	1.7	2.7
ODU Sound Pressure Level	Cooling / Heating	Rated	dB(A)	48 / 52	50 / 52
	Cooling	Rated	dB(A)	65	68
Piping Connections	Liquid		mm (inch)	Ø9.52 (3/8)	Ø9.52 (3/8)
	Gas		mm (inch)	Ø15.88 (5/8)	Ø15.88 (5/8)
Connections Method			-	Flared	Flared
Operation Range (Outdoor)	Cooling	Min. / Max.	°C	-20 / 50	-20 / 50
	Heating	Min. / Max.	°C	-20 / 18	-20 / 18
INDOOR				UT24FH NAO	UT30FH NAO
Power Supply			Ø / V / Hz	1 / 220-240 / 50	1 / 220-240 / 50
Power Input (IDU)		H / M / L	W	43 / 35 / 28	43 / 35 / 28
Air Flow Rate		H / M / L	m³/min	23.8 / 21.4 / 19.0	23.8 / 21.4 / 19.0
Dimensions	Body	W x H x D	mm	840 x 288 x 840	840 x 288 x 840
	Body		kg	25.3	25.3
Sound Pressure Level	Cooling	H / M / L	dB(A)	42 / 41 / 40	42 / 41 / 40
Sound Power Level	Cooling	Max.	dB(A)	56	56
Piping Connections	Drain	O.D. / I.D.	mm	Ø32.0 / 25.0	Ø32.0 / 25.0
Recommended Decoration Panel*	Model Name		-	PT-AFGW0	PT-AFGW0
	Color		-	White	White
	Dimensions	Body	mm	950 x 35 x 950	950 x 35 x 950
	Weight	Body	kg	7.5	7.5
OUTDOOR				UUC1 U40	
Power Supply			Ø / V / Hz	1 / 220-240 / 50	
Circuit Breaker		Min.	A	25	
Power Supply Cable (Included Earth)			No x mm³	3C x 2.5	
Dimensions	Net	W x H x D	mm	950 x 834 x 330	
	Net		kg	57.7	
Compressor	Type		-	Twin Rotary	
	Type		-	R32	
Refrigerant	GWP (Global Warming Potential)		-	675	
	Precharged Amount		kg	1.9	
	t-CO ₂ eq		-	1.283	
	Additional Charge (After 7.5m)		g/m	40	
Fan	Air Flow Rate	Rated	m³/min x No.	58 x 1	
Total Piping Length		Min. / Max.	m	5 / 50	
Piping Elevation	IDU - ODU	Max.	m	30	

* Decoration panel can be selected as an optional accessory.

Note :

- Due to our policy of innovation some specifications may be changed without notification.
- Performances are based on the following conditions (It is accordance with EN14511)
 - Cooling : Indoor Ambient Temp 27°C DB / 19°C WB, Outdoor Ambient Temp 35°C DB / 24°C WB
 - Heating : Indoor Ambient Temp 20°C DB / 15°C WB, Outdoor Ambient Temp 7°C DB / 6°C WB
 - Interconnected Pipe is standard length and difference of Elevation (Outdoor - Indoor Unit) is 0m.
- Sound Level Values are measured at Noise Measuring chamber accordance with standard. Therefore, these values depend on the ambient conditions and values are normally higher in actual operation.
- This product contains fluorinated greenhouse gases. (R32)

H-INVERTER (R32)

UT36FH / UT42FH / UT48FH / UT60FH



LG participates in the ECP programme for EUROVENT AC program. Check ongoing validity of certification : www.eurovent-certification.com

UUD1 U30



COMBINATION				36	42	48	60
Capacity	Cooling	Min. / Rated / Max.	kW	38 / 9.5 / 12.8	48 / 12.1 / 14.5	5.4 / 13.4 / 16.1	6.0 / 15.0 / 16.2
	Heating	Min. / Rated / Max.	kW	4.3 / 10.8 / 13.7	5.4 / 13.5 / 16.2	6.2 / 15.5 / 17.8	7.0 / 17.5 / 19.3
Power Input (Set)	Cooling	Min. / Rated / Max.	kW	0.40 / 2.15 / 3.23	0.60 / 3.14 / 4.24	0.80 / 3.83 / 5.17	0.90 / 4.69 / 5.25
	Heating	Min. / Rated / Max.	kW	0.50 / 2.40 / 3.36	0.70 / 3.29 / 4.28	0.80 / 4.18 / 5.24	1.10 / 5.38 / 6.19
Running Current	Cooling	Rated	A	9.6	13.8	16.9	20.5
	Heating	Rated	A	10.4	14.4	18.3	23.6
EER / COP			kWh/kWh	4.42 / 4.50	3.85 / 4.10	3.50 / 3.71	3.20 / 3.25
SEER / SCOP			kWh/kWh	7.6 / 4.5	7.4 / 4.5	6.8 / 4.5	6.6 / 4.5
Pdesign	Cooling @ 35°C		kW	9.5	12.1	13.4	15
	Heating @ -10°C		kW	9.5	9.5	9.5	9.5
Seasonal Energy Label	Cooling / Heating		-	A++ / A+	- / -	- / -	- / -
Annual Energy Consumption	Cooling / Heating		kWh	437 / 2,956	981 / 2,956	1,182 / 2,956	1,364 / 2,956
Dehumidification Rate			l/h	2.6	4.8	5.3	6.9
ODU Sound Pressure Level	Cooling / Heating	Rated	dB(A)	50 / 50	51 / 52	52 / 53	54 / 54
ODU Sound Power Level	Cooling	Rated	dB(A)	66	69	69	71
Piping Connections	Liquid		mm (inch)	Ø9.52 (3/8)	Ø9.52 (3/8)	Ø9.52 (3/8)	Ø9.52 (3/8)
	Gas		mm (inch)	Ø15.88 (5/8)	Ø15.88 (5/8)	Ø15.88 (5/8)	Ø15.88 (5/8)
Connections Method			-	Flared	Flared	Flared	Flared
Operation Range (Outdoor)	Cooling	Min. / Max.	°C	-20 / 52	-20 / 52	-20 / 52	-20 / 52
	Heating	Min. / Max.	°C	-25 / 18	-25 / 18	-25 / 18	-25 / 18
INDOOR				UT36FH NAO	UT42FH NAO	UT48FH NAO	UT60FH NAO
Power Supply			Ø / V / Hz	1 / 220-240 / 50	1 / 220-240 / 50	1 / 220-240 / 50	1 / 220-240 / 50
Power Input (IDU)		H / M / L	W	70 / 59 / 50	70 / 59 / 50	81 / 60 / 50	81 / 60 / 50
Air Flow Rate		H / M / L	m³/min	28 / 25 / 23	28 / 25 / 23	30 / 27 / 24	30 / 27 / 24
Dimensions	Body	W x H x D	mm	840 x 288 x 840	840 x 288 x 840	840 x 288 x 840	840 x 288 x 840
	Weight		kg	27.2	27.2	27.2	27.2
Sound Pressure Level	Cooling	H / M / L	dB(A)	44 / 42 / 41	44 / 42 / 41	45 / 43 / 41	45 / 43 / 41
Sound Power Level	Cooling	Max.	dB(A)	59	59	61	61
Piping Connections	Drain	O.D. / I.D.	mm	Ø32.0 / 25.0	Ø32.0 / 25.0	Ø32.0 / 25.0	Ø32.0 / 25.0
Recommended Decoration Panel*	Model Name		-	PT-AFGW0	PT-AFGW0	PT-AFGW0	PT-AFGW0
	Color		-	White	White	White	White
	Dimensions	Body	mm	950 x 35 x 950	950 x 35 x 950	950 x 35 x 950	950 x 35 x 950
	Weight	Body	kg	7.5	7.5	7.5	7.5
OUTDOOR				UUD1 U30			
Power Supply			Ø / V / Hz	1 / 220-240 / 50			
Circuit Breaker		Min.	A	40			
Power Supply Cable (Included Earth)			No x mm³	3C x 6.0			
Dimensions	Net	W x H x D	mm	950 x 1,380 x 330			
Weight	Net		kg	85.0			
Compressor	Type		-	Inverter Scroll			
	Type		-	R32			
Refrigerant	GWP (Global Warming Potential)		-	675			
	Precharged Amount		kg	3.0			
	t-CO ₂ eq		-	2.025			
	Additional Charge (After 7.5m)		g/m	40			
Fan	Air Flow Rate	Rated	m³/min x No.	55 x 2			
Total Piping Length		Min. / Max.	m	5 / 85			
Piping Elevation	IDU - ODU	Max.	m	30			

* Decoration panel can be selected as an optional accessory. Note :

- Due to our policy of innovation some specifications may be changed without notification.
- Performances are based on the following conditions (It is accordance with EN14511)
 - Cooling : Indoor Ambient Temp 27°C DB / 19°C WB, Outdoor Ambient Temp 35°C DB / 24°C WB
 - Heating : Indoor Ambient Temp 20°C DB / 15°C WB, Outdoor Ambient Temp 7°C DB / 6°C WB
 - Interconnected Pipe is standard length and difference of Elevation (Outdoor - Indoor Unit) is 0m.
- Sound Level Values are measured at Noise Measuring chamber accordance with standard. Therefore, these values depend on the ambient conditions and values are normally higher in actual operation.
- This product contains fluorinated greenhouse gases. (R32)

H-INVERTER (R32)

UT36FH / UT42FH / UT48FH / UT60FH



LG participates in the ECP programme for EUROVENT AC program. Check ongoing validity of certification : www.eurovent-certification.com

UUD3 U30



COMBINATION				36	42	48	60
Capacity	Cooling	Min. / Rated / Max.	kW	3.8 / 9.5 / 12.8	4.8 / 12.1 / 14.5	5.4 / 13.4 / 16.1	6.0 / 15.0 / 16.2
	Heating	Min. / Rated / Max.	kW	4.3 / 10.8 / 13.7	5.4 / 13.5 / 16.2	6.2 / 15.5 / 17.8	7.0 / 17.5 / 19.3
Power Input (Set)	Cooling	Min. / Rated / Max.	kW	0.40 / 2.15 / 3.23	0.60 / 3.14 / 4.24	0.80 / 3.83 / 5.17	0.90 / 4.69 / 5.25
	Heating	Min. / Rated / Max.	kW	0.50 / 2.40 / 3.36	0.70 / 3.29 / 4.28	0.80 / 4.18 / 5.24	1.10 / 5.38 / 6.19
Running Current	Cooling	Rated	A	3.6	4.9	6.0	7.3
	Heating	Rated	A	3.8	5.1	6.5	8.2
EER / COP			kWh/kWh	4.42 / 4.50	3.85 / 4.10	3.50 / 3.71	3.20 / 3.25
SEER / SCOP			kWh/kWh	7.6 / 4.5	7.4 / 4.5	6.8 / 4.5	6.6 / 4.5
Pdesign	Cooling @ 35°C		kW	9.5	12.1	13.4	15
	Heating @ -10°C		kW	9.5	9.5	9.5	9.5
Seasonal Energy Label	Cooling / Heating		-	A++ / A+	- / -	- / -	- / -
Annual Energy Consumption	Cooling / Heating		kWh	437 / 2,956	981 / 2,956	1,182 / 2,956	1,364 / 2,956
Dehumidification Rate			l/h	2.6	4.8	5.3	6.9
ODU Sound Pressure Level	Cooling / Heating	Rated	dB(A)	50 / 50	51 / 52	52 / 53	54 / 54
ODU Sound Power Level	Cooling	Rated	dB(A)	66	69	69	71
Piping Connections	Liquid		mm (inch)	Ø9.52 (3/8)	Ø9.52 (3/8)	Ø9.52 (3/8)	Ø9.52 (3/8)
	Gas		mm (inch)	Ø15.88 (5/8)	Ø15.88 (5/8)	Ø15.88 (5/8)	Ø15.88 (5/8)
Connections Method			-	Flared	Flared	Flared	Flared
Operation Range (Outdoor)	Cooling	Min. / Max.	°C	-20 / 52	-20 / 52	-20 / 52	-20 / 52
	Heating	Min. / Max.	°C	-25 / 18	-25 / 18	-25 / 18	-25 / 18
INDOOR				UT36FH NAO	UT42FH NAO	UT48FH NAO	UT60FH NAO
Power Supply			Ø / V / Hz	1 / 220-240 / 50	1 / 220-240 / 50	1 / 220-240 / 50	1 / 220-240 / 50
Power Input (IDU)		H / M / L	W	70 / 59 / 50	70 / 59 / 50	81 / 60 / 50	81 / 60 / 50
Air Flow Rate		H / M / L	m³/min	28 / 25 / 23	28 / 25 / 23	30 / 27 / 24	30 / 27 / 24
Dimensions	Body	W x H x D	mm	840 x 288 x 840	840 x 288 x 840	840 x 288 x 840	840 x 288 x 840
	Weight		kg	27.2	27.2	27.2	27.2
Sound Pressure Level	Cooling	H / M / L	dB(A)	44 / 42 / 41	44 / 42 / 41	45 / 43 / 41	45 / 43 / 41
Sound Power Level	Cooling	Max.	dB(A)	59	59	61	61
Piping Connections	Drain	O.D. / I.D.	mm	Ø32.0 / 25.0	Ø32.0 / 25.0	Ø32.0 / 25.0	Ø32.0 / 25.0
Recommended Decoration Panel*	Model Name		-	PT-AFGW0	PT-AFGW0	PT-AFGW0	PT-AFGW0
	Color		-	White	White	White	White
	Dimensions	Body	mm	950 x 35 x 950	950 x 35 x 950	950 x 35 x 950	950 x 35 x 950
	Weight	Body	kg	7.5	7.5	7.5	7.5
OUTDOOR				UUD3 U30			
Power Supply			Ø / V / Hz	3 / 380-415 / 50			
Circuit Breaker		Min.	A	20			
Power Supply Cable (Included Earth)			No x mm³	5C x 2.5			
Dimensions	Net	W x H x D	mm	950 x 1,380 x 330			
Weight	Net		kg	85			
Compressor	Type		-	Inverter Scroll			
	Type		-	R32			
Refrigerant	GWP (Global Warming Potential)		-	675			
	Precharged Amount		kg	3.0			
	t-CO ₂ eq		-	2.025			
	Additional Charge (After 7.5m)		g/m	40			
Fan	Air Flow Rate	Rated	m³/min x No.	55 x 2			
Total Piping Length		Min. / Max.	m	5 / 85			
Piping Elevation	IDU - ODU	Max.	m	30			

* Decoration panel can be selected as an optional accessory. Note :

- Due to our policy of innovation some specifications may be changed without notification.
- Performances are based on the following conditions (It is accordance with EN14511)
 - Cooling : Indoor Ambient Temp 27°C DB / 19°C WB, Outdoor Ambient Temp 35°C DB / 24°C WB
 - Heating : Indoor Ambient Temp 20°C DB / 15°C WB, Outdoor Ambient Temp 7°C DB / 6°C WB
 - Interconnected Pipe is standard length and difference of Elevation (Outdoor - Indoor Unit) is 0m.
- Sound Level Values are measured at Noise Measuring chamber accordance with standard. Therefore, these values depend on the ambient conditions and values are normally higher in actual operation.
- This product contains fluorinated greenhouse gases. (R32)

STANDARD INVERTER (R32)

CT09F / CT12F / CT18F



UUA1 ULO UUB1 U20



LG participates in the ECP programme for EUROVENT AC program. Check ongoing validity of certification : www.eurovent-certification.com

COMBINATION				9	12	18
Capacity	Cooling	Min. / Rated / Max.	kW	1.5 / 2.5 / 3.2	1.5 / 3.4 / 4.5	2.0 / 5.0 / 5.8
	Heating	Min. / Rated / Max.	kW	1.8 / 3.2 / 3.7	1.8 / 4.1 / 5.0	2.3 / 5.7 / 6.6
Power Input (Set)	Cooling	Min. / Rated / Max.	kW	0.30 / 0.61 / 0.87	0.30 / 0.98 / 1.62	0.30 / 1.57 / 2.20
	Heating	Min. / Rated / Max.	kW	0.30 / 0.75 / 0.89	0.30 / 1.11 / 1.57	0.30 / 1.52 / 2.13
Running Current	Cooling	Rated	A	2.7	4.4	8.0
	Heating	Rated	A	3.3	4.9	7.8
EER / COP			kWh/kWh	4.10 / 4.30	3.50 / 3.71	3.19 / 3.74
SEER / SCOP			kWh/kWh	6.7 / 4.0	6.7 / 4.0	6.4 / 4.3
Pdesign	Cooling @ 35°C		kW	2.5	3.4	5
	Heating @ -10°C		kW	2.8	2.8	4.1
Seasonal Energy Label	Cooling / Heating		-	A++ / A+	A++ / A+	A++ / A+
Annual Energy Consumption	Cooling / Heating		kWh	131 / 980	178 / 980	273 / 1,335
Dehumidification Rate			l/h	0.63	1.26	1.89
ODU Sound Pressure Level	Cooling / Heating	Rated	dB(A)	49 / 52	49 / 52	47 / 52
ODU Sound Power Level	Cooling	Rated	dB(A)	65	65	63
Piping Connections	Liquid		mm (inch)	Ø6.35 (1/4)	Ø6.35 (1/4)	Ø6.35 (1/4)
	Gas		mm (inch)	Ø9.52 (3/8)	Ø9.52 (3/8)	Ø12.7 (1/2)
	Connections Method		-	Flared	Flared	Flared
Operation Range (Outdoor)	Cooling	Min. / Max.	°C	-15 / 50	-15 / 50	-15 / 50
	Heating	Min. / Max.	°C	-20 / 18	-20 / 18	-20 / 18
INDOOR				CT09F NRO	CT12F NRO	CT18F NQ0
Power Supply			Ø / V / Hz	1 / 220-240 / 50	1 / 220-240 / 50	1 / 220-240 / 50
Power Input (IDU)		H / M / L	W	26 / 22 / 19	28 / 24 / 20	30 / 26 / 22
Air Flow Rate		H / M / L	m³/min	8.5 / 7.0 / 6.0	9.5 / 8.0 / 7.0	13 / 12 / 11
Dimensions	Body	W x H x D	mm	570 x 214 x 570	570 x 214 x 570	570 x 256 x 570
	Weight		kg	12.4	12.4	13.9
Sound Pressure Level	Cooling	H / M / L	dB(A)	36 / 33 / 30	38 / 35 / 32	41 / 39 / 37
Sound Power Level	Cooling	Max.	dB(A)	52	52	57
Piping Connections	Drain	O.D. / I.D.	mm	Ø32.0 / 25.0	Ø32.0 / 25.0	Ø32.0 / 25.0
Recommended Decoration Panel*	Model Name		-	PT-QAGW0	PT-QAGW0	PT-QAGW0
	Color		-	White	White	White
	Dimensions	Body	mm	620 x 34 x 620	620 x 34 x 620	620 x 34 x 620
	Weight	Body	kg	3.0	3.0	3.0
OUTDOOR				UUA1 ULO	UUB1 U20	
Power Supply			Ø / V / Hz	1 / 220-240 / 50	1 / 220-240 / 50	
Circuit Breaker		Min.	A	15	20	
Power Supply Cable (Included Earth)			No x mm³	3C x 1.5	3C x 2.5	
Dimensions	Net	W x H x D	mm	770 x 545 x 288	870 x 650 x 330	
	Weight	Net	kg	33.3	44.5	
Compressor	Type		-	Twin Rotary	Twin Rotary	
	Type		-	R32	R32	
	GWP (Global Warming Potential)		-	675	675	
	Precharged Amount		kg	1.0	1.2	
Refrigerant	t-CO ₂ eq		-	0.675	0.81	
	Additional Charge (After 7.5m)		g/m	20	20	
	Fan	Air Flow Rate	Rated	m³/min x No.	28 x 1	50 x 1
Total Piping Length		Min. / Max.	m	5 / 30	5 / 30	
Piping Elevation	IDU - ODU	Max.	m	30	30	

* Decoration panel can be selected as an optional accessory.

Note :

- Due to our policy of innovation some specifications may be changed without notification.
- Performances are based on the following conditions (It is accordance with EN14511)
 - Cooling : Indoor Ambient Temp 27°C DB / 19°C WB, Outdoor Ambient Temp 35°C DB / 24°C WB
 - Heating : Indoor Ambient Temp 20°C DB / 15°C WB, Outdoor Ambient Temp 7°C DB / 6°C WB
 - Interconnected Pipe is standard length and difference of Elevation (Outdoor - Indoor Unit) is 0m.
- Sound Level Values are measured at Noise Measuring chamber accordance with standard. Therefore, these values depend on the ambient conditions and values are normally higher in actual operation.
- This product contains fluorinated greenhouse gases. (R32)

STANDARD INVERTER (R32)

CT24F / UT30F



UUC1 U40



LG participates in the ECP programme for EUROVENT AC program. Check ongoing validity of certification : www.eurovent-certification.com

COMBINATION				24	30
Capacity	Cooling	Min. / Rated / Max.	kW	2.7 / 6.8 / 8.0	3.2 / 8.0 / 9.2
	Heating	Min. / Rated / Max.	kW	3.0 / 7.5 / 9.0	3.6 / 8.9 / 10.1
Power Input (Set)	Cooling	Min. / Rated / Max.	kW	0.40 / 1.93 / 2.66	0.50 / 2.45 / 3.14
	Heating	Min. / Rated / Max.	kW	0.40 / 1.96 / 2.84	0.50 / 2.62 / 3.25
Running Current	Cooling	Rated	A	8.6	10.9
	Heating	Rated	A	8.7	11.6
EER / COP			kWh/kWh	3.52 / 3.83	3.27 / 3.40
SEER / SCOP			kWh/kWh	7.4 / 4.3	7.1 / 4.3
Pdesign	Cooling @ 35°C		kW	6.8	8
	Heating @ -10°C		kW	5.6	5.6
Seasonal Energy Label	Cooling / Heating		-	A++ / A+	A++ / A+
Annual Energy Consumption	Cooling / Heating		kWh	322 / 1,823	394 / 1,823
Dehumidification Rate			l/h	2.8	2.8
ODU Sound Pressure Level	Cooling / Heating	Rated	dB(A)	48 / 52	50 / 52
ODU Sound Power Level	Cooling	Rated	dB(A)	65	68
Piping Connections	Liquid		mm (inch)	Ø9.52 (3/8)	Ø9.52 (3/8)
	Gas		mm (inch)	Ø15.88 (5/8)	Ø15.88 (5/8)
	Connections Method		-	Flared	Flared
Operation Range (Outdoor)	Cooling	Min. / Max.	°C	-20 / 50	-20 / 50
	Heating	Min. / Max.	°C	-20 / 18	-20 / 18
INDOOR				CT24F NBO	UT30F NBO
Power Supply			Ø / V / Hz	1 / 220-240 / 50	1 / 220-240 / 50
Power Input (IDU)		H / M / L	W	36 / 26 / 21	40 / 33 / 26
Air Flow Rate		H / M / L	m³/min	18 / 15.5 / 14	19 / 17 / 15.5
Dimensions	Body	W x H x D	mm	840 x 204 x 840	840 x 204 x 840
	Weight		kg	21.1	21.1
Sound Pressure Level	Cooling	H / M / L	dB(A)	38 / 36 / 34	40 / 37 / 35
Sound Power Level	Cooling	Max.	dB(A)	53	57
Piping Connections	Drain	O.D. / I.D.	mm	Ø32.0 / 25.0	Ø32.0 / 25.0
Recommended Decoration Panel*	Model Name		-	PT-AAGW0	PT-AAGW0
	Color		-	White	White
	Dimensions	Body	mm	950 x 35 x 950	950 x 35 x 950
	Weight	Body	kg	7.1	7.1
OUTDOOR				UUC1 U40	
Power Supply			Ø / V / Hz	1 / 220-240 / 50	
Circuit Breaker		Min.	A	25	
Power Supply Cable (Included Earth)			No x mm³	3C x 2.5	
Dimensions	Net	W x H x D	mm	950 x 834 x 330	
	Weight	Net	kg	57.7	
Compressor	Type		-	Twin Rotary	
	Type		-	R32	
	GWP (Global Warming Potential)		-	675	
	Precharged Amount		kg	1.9	
Refrigerant	t-CO ₂ eq		-	1.283	
	Additional Charge (After 7.5m)		g/m	40	
	Fan	Air Flow Rate	Rated	m³/min x No.	58 x 1
Total Piping Length		Min. / Max.	m	5 / 50	
Piping Elevation	IDU - ODU	Max.	m	30	

* Decoration panel can be selected as an optional accessory.

Note :

- Due to our policy of innovation some specifications may be changed without notification.
- Performances are based on the following conditions (It is accordance with EN14511)
 - Cooling : Indoor Ambient Temp 27°C DB / 19°C WB, Outdoor Ambient Temp 35°C DB / 24°C WB
 - Heating : Indoor Ambient Temp 20°C DB / 15°C WB, Outdoor Ambient Temp 7°C DB / 6°C WB
 - Interconnected Pipe is standard length and difference of Elevation (Outdoor - Indoor Unit) is 0m.
- Sound Level Values are measured at Noise Measuring chamber accordance with standard. Therefore, these values depend on the ambient conditions and values are normally higher in actual operation.
- This product contains fluorinated greenhouse gases. (R32)

STANDARD INVERTER (R32)

UT36F / UT42F / UT48F / UT60F



UUD1 U30



LG participates in the ECP programme for EUROVENT AC program.
Check ongoing validity of certification
: www.eurovent-certification.com

COMBINATION				36	42	48	60
Capacity	Cooling	Min. / Rated / Max.	kW	3.8 / 9.5 / 12.5	4.8 / 12.1 / 14.2	5.4 / 13.4 / 15.7	5.8 / 14.6 / 15.8
	Heating	Min. / Rated / Max.	kW	4.3 / 10.8 / 13.4	5.4 / 13.5 / 15.8	6.2 / 15.5 / 17.5	6.8 / 16.9 / 18.3
Power Input (Set)	Cooling	Min. / Rated / Max.	kW	0.50 / 2.26 / 3.44	0.70 / 3.31 / 4.30	0.90 / 4.25 / 5.53	1.00 / 5.21 / 5.84
	Heating	Min. / Rated / Max.	kW	0.50 / 2.43 / 3.30	0.70 / 3.51 / 4.56	0.90 / 4.37 / 5.33	1.00 / 5.12 / 5.89
Running Current	Cooling	Rated	A	10.1	14.6	18.7	23.1
	Heating	Rated	A	10.7	15.0	19.0	22.7
EER / COP			kWh/kWh	4.20 / 4.45	3.66 / 3.85	3.15 / 3.55	2.80 / 3.30
SEER / SCOP			kWh/kWh	7.0 / 4.3	7.0 / 4.3	6.5 / 4.2	6.2 / 4.2
Pdesign	Cooling @ 35°C		kW	9.5	12.1	13.4	14.6
	Heating @ -10°C		kW	9.5	9.5	9.5	9.5
Seasonal Energy Label	Cooling / Heating		-	A++ / A+	- / -	- / -	- / -
Annual Energy Consumption	Cooling / Heating		kWh	475 / 3,093	1,037 / 3,093	1,237 / 3,167	1,413 / 3,167
Dehumidification Rate			l/h	2.4	4.5	5.7	6.6
ODU Sound Pressure Level	Cooling / Heating	Rated	dB(A)	50 / 50	51 / 52	52 / 53	54 / 54
ODU Sound Power Level	Cooling	Rated	dB(A)	66	69	69	71
Piping Connections	Liquid		mm (inch)	Ø9.52 (3/8)	Ø9.52 (3/8)	Ø9.52 (3/8)	Ø9.52 (3/8)
	Gas		mm (inch)	Ø15.88 (5/8)	Ø15.88 (5/8)	Ø15.88 (5/8)	Ø15.88 (5/8)
Connections Method			-	Flared	Flared	Flared	Flared
Operation Range (Outdoor)	Cooling	Min. / Max.	°C	-20 / 52	-20 / 52	-20 / 52	-20 / 52
	Heating	Min. / Max.	°C	-25 / 18	-25 / 18	-25 / 18	-25 / 18
INDOOR				UT36F NAO	UT42F NAO	UT48F NAO	UT60F NAO
Power Supply			Ø / V / Hz	1 / 220-240 / 50	1 / 220-240 / 50	1 / 220-240 / 50	1 / 220-240 / 50
Power Input (IDU)		H / M / L	W	60 / 50 / 45	60 / 50 / 45	80 / 60 / 50	80 / 60 / 50
Air Flow Rate		H / M / L	m³/min	27.5 / 25 / 22.5	27.5 / 25 / 22.5	30 / 27.5 / 25	30 / 27.5 / 25
Dimensions	Body	W x H x D	mm	840 x 288 x 840	840 x 288 x 840	840 x 288 x 840	840 x 288 x 840
	Weight		kg	25.3	25.3	25.3	25.3
Sound Pressure Level	Cooling	H / M / L	dB(A)	44 / 42 / 41	44 / 42 / 41	46 / 44 / 42	46 / 44 / 42
Sound Power Level	Cooling	Max.	dB(A)	61	61	62	62
Piping Connections	Drain	O.D. / I.D.	mm	Ø32.0 / 25.0	Ø32.0 / 25.0	Ø32.0 / 25.0	Ø32.0 / 25.0
Recommended Decoration Panel*	Model Name		-	PT-AAGW0	PT-AAGW0	PT-AAGW0	PT-AAGW0
	Color		-	White	White	White	White
	Dimensions	Body	mm	950 x 35 x 950	950 x 35 x 950	950 x 35 x 950	950 x 35 x 950
	Weight	Body	kg	7.1	7.1	7.1	7.1
OUTDOOR				UUD1 U30			
Power Supply			Ø / V / Hz	1 / 220-240 / 50			
Circuit Breaker		Min.	A	40			
Power Supply Cable (Included Earth)			No x mm³	3C x 6.0			
Dimensions	Net	W x H x D	mm	950 x 1,380 x 330			
Weight	Net		kg	85.0			
Compressor	Type		-	Inverter Scroll			
	Type		-	R32			
	GWP (Global Warming Potential)		-	675			
	Precharged Amount		kg	3.0			
Refrigerant	t-CO ₂ eq		-	2.025			
	Additional Charge (After 7.5m)		g/m	40			
	Air Flow Rate	Rated	m³/min x No.	55 x 2			
Total Piping Length		Min. / Max.	m	5 / 85			
Piping Elevation	IDU - ODU	Max.	m	30			

* Decoration panel can be selected as an optional accessory.
Note :

- Due to our policy of innovation some specifications may be changed without notification.
- Performances are based on the following conditions (It is accordance with EN14511)
 - Cooling : Indoor Ambient Temp 27°C DB / 19°C WB, Outdoor Ambient Temp 35°C DB / 24°C WB
 - Heating : Indoor Ambient Temp 20°C DB / 15°C WB, Outdoor Ambient Temp 7°C DB / 6°C WB
 - Interconnected Pipe is standard length and difference of Elevation (Outdoor - Indoor Unit) is 0m.
- Sound Level Values are measured at Noise Measuring chamber accordance with standard. Therefore, these values depend on the ambient conditions and values are normally higher in actual operation.
- This product contains fluorinated greenhouse gases. (R32)

STANDARD INVERTER (R32)

UT36F / UT42F / UT48F / UT60F



UUD3 U30



LG participates in the ECP programme for EUROVENT AC program.
Check ongoing validity of certification
: www.eurovent-certification.com

COMBINATION				36	42	48	60
Capacity	Cooling	Min. / Rated / Max.	kW	3.8 / 9.5 / 12.5	4.8 / 12.1 / 14.2	5.4 / 13.4 / 15.7	5.8 / 14.6 / 15.8
	Heating	Min. / Rated / Max.	kW	4.3 / 10.8 / 13.4	5.4 / 13.5 / 15.8	6.2 / 15.5 / 17.5	6.8 / 16.9 / 18.3
Power Input (Set)	Cooling	Min. / Rated / Max.	kW	0.50 / 2.26 / 3.44	0.70 / 3.31 / 4.30	0.90 / 4.25 / 5.53	1.00 / 5.21 / 5.84
	Heating	Min. / Rated / Max.	kW	0.50 / 2.43 / 3.30	0.70 / 3.51 / 4.56	0.90 / 4.37 / 5.33	1.00 / 5.12 / 5.89
Running Current	Cooling	Rated	A	3.8	5.2	6.6	8.1
	Heating	Rated	A	3.9	5.4	6.7	7.9
EER / COP			kWh/kWh	4.20 / 4.45	3.66 / 3.85	3.15 / 3.55	2.80 / 3.30
SEER / SCOP			kWh/kWh	7.0 / 4.3	7.0 / 4.3	6.5 / 4.2	6.2 / 4.2
Pdesign	Cooling @ 35°C		kW	9.5	12.1	13.4	14.6
	Heating @ -10°C		kW	9.5	9.5	9.5	9.5
Seasonal Energy Label	Cooling / Heating		-	A++ / A+	- / -	- / -	- / -
Annual Energy Consumption	Cooling / Heating		kWh	475 / 3,093	1,037 / 3,093	1,237 / 3,167	1,413 / 3,167
Dehumidification Rate			l/h	2.4	4.5	5.7	6.6
ODU Sound Pressure Level	Cooling / Heating	Rated	dB(A)	50 / 50	51 / 52	52 / 53	54 / 54
ODU Sound Power Level	Cooling	Rated	dB(A)	66	69	69	71
Piping Connections	Liquid		mm (inch)	Ø9.52 (3/8)	Ø9.52 (3/8)	Ø9.52 (3/8)	Ø9.52 (3/8)
	Gas		mm (inch)	Ø15.88 (5/8)	Ø15.88 (5/8)	Ø15.88 (5/8)	Ø15.88 (5/8)
Connections Method			-	Flared	Flared	Flared	Flared
Operation Range (Outdoor)	Cooling	Min. / Max.	°C	-20 / 52	-20 / 52	-20 / 52	-20 / 52
	Heating	Min. / Max.	°C	-25 / 18	-25 / 18	-25 / 18	-25 / 18
INDOOR				UT36F NAO	UT42F NAO	UT48F NAO	UT60F NAO
Power Supply			Ø / V / Hz	1 / 220-240 / 50	1 / 220-240 / 50	1 / 220-240 / 50	1 / 220-240 / 50
Power Input (IDU)		H / M / L	W	60 / 50 / 45	60 / 50 / 45	80 / 60 / 50	80 / 60 / 50
Air Flow Rate		H / M / L	m³/min	27.5 / 25 / 22.5	27.5 / 25 / 22.5	30 / 27.5 / 25	30 / 27.5 / 25
Dimensions	Body	W x H x D	mm	840 x 288 x 840	840 x 288 x 840	840 x 288 x 840	840 x 288 x 840
	Weight		kg	25.3	25.3	25.3	25.3
Sound Pressure Level	Cooling	H / M / L	dB(A)	44 / 42 / 41	44 / 42 / 41	46 / 44 / 42	46 / 44 / 42
Sound Power Level	Cooling	Max.	dB(A)	61	61	62	62
Piping Connections	Drain	O.D. / I.D.	mm	Ø32.0 / 25.0	Ø32.0 / 25.0	Ø32.0 / 25.0	Ø32.0 / 25.0
Recommended Decoration Panel*	Model Name		-	PT-AAGW0	PT-AAGW0	PT-AAGW0	PT-AAGW0
	Color		-	White	White	White	White
	Dimensions	Body	mm	950 x 35 x 950	950 x 35 x 950	950 x 35 x 950	950 x 35 x 950
	Weight	Body	kg	7.1	7.1	7.1	7.1
OUTDOOR				UUD3 U30			
Power Supply			Ø / V / Hz	3 / 380-415 / 50			
Circuit Breaker		Min.	A	20			
Power Supply Cable (Included Earth)			No x mm³	5C x 2.5			
Dimensions	Net	W x H x D	mm	950 x 1,380 x 330			
Weight	Net		kg	85.0			
Compressor	Type		-	Inverter Scroll			
	Type		-	R32			
	GWP (Global Warming Potential)		-	675			
	Precharged Amount		kg	3.0			
Refrigerant	t-CO ₂ eq		-	2.025			
	Additional Charge (After 7.5m)		g/m	40			
	Air Flow Rate	Rated	m³/min x No.	55 x 2			
Total Piping Length		Min. / Max.	m	5 / 85			
Piping Elevation	IDU - ODU	Max.	m	30			

* Decoration panel can be selected as an optional accessory.
Note :

- Due to our policy of innovation some specifications may be changed without notification.
- Performances are based on the following conditions (It is accordance with EN14511)
 - Cooling : Indoor Ambient Temp 27°C DB / 19°C WB, Outdoor Ambient Temp 35°C DB / 24°C WB
 - Heating : Indoor Ambient Temp 20°C DB / 15°C WB, Outdoor Ambient Temp 7°C DB / 6°C WB
 - Interconnected Pipe is standard length and difference of Elevation (Outdoor - Indoor Unit) is 0m.
- Sound Level Values are measured at Noise Measuring chamber accordance with standard. Therefore, these values depend on the ambient conditions and values are normally higher in actual operation.
- This product contains fluorinated greenhouse gases. (R32)

COMPACT INVERTER (R32)

CT18F / CT24F / UT30F / UT36F

UUA1 ULO

UUB1 U20

UUC1 U40



LG participates in the ECP programme for EUROVENT AC program. Check ongoing validity of certification : www.eurovent-certification.com

COMBINATION				18	24	30	36
Capacity	Cooling	Min. / Rated / Max.	kW	1.8 / 5.0 / 5.5	2.7 / 6.8 / 7.5	3.0 / 7.5 / 8.3	3.8 / 9.5 / 10.8
	Heating	Min. / Rated / Max.	kW	2.1 / 5.2 / 5.7	3.0 / 7.5 / 8.6	3.2 / 7.9 / 8.7	4.3 / 10.8 / 11.7
Power Input (Set)	Cooling	Min. / Rated / Max.	kW	0.34 / 1.76 / 2.11	0.40 / 2.00 / 2.40	0.50 / 2.31 / 2.77	0.60 / 2.79 / 3.57
	Heating	Min. / Rated / Max.	kW	0.30 / 1.45 / 1.87	0.40 / 2.21 / 2.87	0.50 / 2.37 / 3.08	0.60 / 2.77 / 3.30
Running Current	Cooling	Rated	A	7.8	8.8	10.1	12.4
	Heating	Rated	A	6.4	9.6	10.4	12.3
EER / COP			kWh/kWh	2.85 / 3.60	3.40 / 3.39	3.25 / 3.34	3.40 / 3.90
SEER / SCOP			kWh/kWh	6.3 / 3.9	7.0 / 4.2	6.8 / 4.2	6.7 / 4.3
Pdesign	Cooling @ 35°C		kW	5	6.8	7.5	9.5
	Heating @ -10°C		kW	2.8	4.1	4.1	5.6
Seasonal Energy Label	Cooling / Heating		-	A++ / A	A++ / A+	A++ / A+	A++ / A+
Annual Energy Consumption	Cooling / Heating		kWh	278 / 1,005	340 / 1,367	386 / 1,367	496 / 1,823
Dehumidification Rate			l/h	1.8	2.6	3.1	2.5
ODU Sound Pressure Level	Cooling / Heating	Rated	dB(A)	49 / 52	48 / 53	50 / 54	54 / 56
ODU Sound Power Level	Cooling	Rated	dB(A)	65	65	67	70
Piping Connections	Liquid		mm (inch)	Ø6.35 (1/4)	Ø9.52 (3/8)	Ø9.52 (3/8)	Ø9.52 (3/8)
	Gas		mm (inch)	Ø9.52 (3/8)	Ø15.88 (5/8)	Ø15.88 (5/8)	Ø15.88 (5/8)
	Connections Method		-	Flared	Flared	Flared	Flared
Operation Range (Outdoor)	Cooling	Min. / Max.	°C	-10 / 50	-10 / 48	-10 / 48	-20 / 50
	Heating	Min. / Max.	°C	-10 / 18	-15 / 18	-15 / 18	-15 / 18
INDOOR				CT18F NQ0	CT24F NB0	UT30F NB0	UT36F NAO
Power Supply			Ø / V / Hz	1 / 220-240 / 50	1 / 220-240 / 50	1 / 220-240 / 50	1 / 220-240 / 50
Power Input (IDU)		H / M / L	W	30 / 26 / 22	36 / 26 / 21	40 / 33 / 26	60 / 50 / 45
Air Flow Rate		H / M / L	m³/min	13 / 12 / 11	18 / 15.5 / 14	19 / 17 / 15.5	27.5 / 25 / 22.5
Dimensions	Body	W x H x D	mm	570 x 256 x 570	840 x 204 x 840	840 x 204 x 840	840 x 288 x 840
	Weight		kg	13.9	21.1	21.1	25.3
Sound Pressure Level	Cooling	H / M / L	dB(A)	41 / 39 / 37	38 / 36 / 34	40 / 37 / 35	44 / 42 / 41
Sound Power Level	Cooling	Max.	dB(A)	57	53	57	61
Piping Connections	Drain	O.D. / I.D.	mm	Ø32.0 / 25.0	Ø32.0 / 25.0	Ø32.0 / 25.0	Ø32.0 / 25.0
Recommended Decoration Panel*	Model Name		-	PT-AAGW0	PT-AAGW0	PT-AAGW0	PT-AAGW0
	Color		-	White	White	White	White
	Dimensions	Body	mm	620 x 34 x 620	950 x 35 x 950	950 x 35 x 950	950 x 35 x 950
	Weight	Body	kg	3.0	7.1	7.1	7.1
OUTDOOR				UUA1 ULO	UUB1 U20	UUC1 U40	
Power Supply			Ø / V / Hz	1 / 220-240 / 50	1 / 220-240 / 50	1 / 220-240 / 50	
Circuit Breaker		Min.	A	15	20	25	
Power Supply Cable (Included Earth)			No x mm³	3C x 1.5	3C x 2.5	3C x 2.5	
Dimensions	Net	W x H x D	mm	770 x 545 x 288	870 x 650 x 330	950 x 834 x 330	
Weight	Net		kg	33.3	44.5	57.7	
Compressor	Type		-	Twin Rotary	Twin Rotary	Twin Rotary	
	Type		-	R32	R32	R32	
	GWP (Global Warming Potential)		-	675	675	675	
	Precharged Amount		kg	1.0	1.2	1.9	
Refrigerant	t-CO ₂ eq		-	0.675	0.81	1.283	
	Additional Charge (After 7.5m)		g/m	20	40	40	
	Fan	Air Flow Rate	Rated	m³/min x No.	28 x 1	50 x 1	58 x 1
Total Piping Length		Min. / Max.	m	5 / 30	5 / 35	5 / 50	
Piping Elevation	IDU - ODU	Max.	m	30	30	30	

* Decoration panel can be selected as an optional accessory.

Note :

- Due to our policy of innovation some specifications may be changed without notification.
- Performances are based on the following conditions (It is accordance with EN14511)
 - Cooling : Indoor Ambient Temp 27°C DB / 19°C WB, Outdoor Ambient Temp 35°C DB / 24°C WB
 - Heating : Indoor Ambient Temp 20°C DB / 15°C WB, Outdoor Ambient Temp 7°C DB / 6°C WB
 - Interconnected Pipe is standard length and difference of Elevation (Outdoor - Indoor Unit) is 0m.
- Sound Level Values are measured at Noise Measuring chamber accordance with standard. Therefore, these values depend on the ambient conditions and values are normally higher in actual operation.
- This product contains fluorinated greenhouse gases. (R32)

Cassette Panel



Model Name

PT-AAGW0
PT-AFGW0
PT-QAGW0 (Mini 4 Way)

Key Features

Model	Dual Vane	Wi-Fi	Floor Temperature Sensor	Air Purification	Human Detection Sensor	Dust Sensor	Tact switch
PT-AAGW0	O	Optional	Optional	X	Optional	X	X
PT-AFGW0	O	Optional	Optional	Optional	Optional	O	O
PT-QAGW0	X	Optional	X	X	X	X	X

Specification

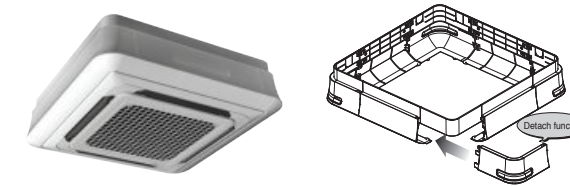
Model	Suction Type	Color (RAL)	Gloss	Weight (kg)	Dimension (mm)		
					W	H	D
PT-AAGW0	Grid	White (RAL 9003)	-	7.1	950	35	950
PT-AFGW0	Grid	White (RAL 9003)	-	7.5	950	35	950
PT-QAGW0	Grid	White (RAL 9003)	-	3.0	620	34	620

Air Purification Kit

Model	Type	Image	Model Name	Dielectric Dust Collecting Filter	Photocatalytic Deodorizing Filter	HVPS	Ionizer
Air Purification Kit	4 Way		PTAHMPO		O	O	O

Cassette Cover

Cover in case of exposed cassette installation.



Model Name

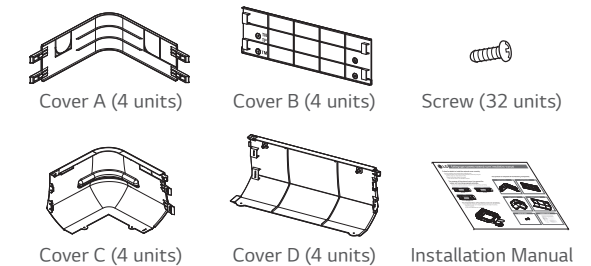
PTDCA

Applied Products

4 Way Cassette (for chassis TP-B, TM-A)

Included Parts

- Cover A, Cover B
- Cover C, Cover D
- Screws
- Installation Manual



Key Features

- Specially designed for indoor unit
- Covers the side area of cassette
- Gives elegant looks
- Light weight

Specification

Model	Front Panel	Weight (kg)		Dimensions (mm)			
		NET	Gross	W	H	D	
PTDCA	PT-AAGW0	TP-B	6.1	9.5	1,157	266	1,157
		TM-A	6.1	9.5	1,157	308	1,157

ROUND CASSETTE



Slim and Compact Design

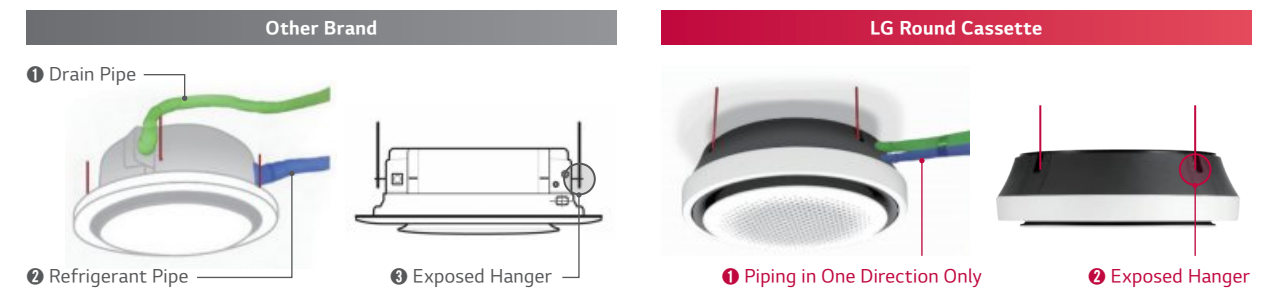
The LG Round Cassette's compact design makes the interior look more spacious and secure.



※ Product : 11 / 13.4kW

Minimal Exposure Design

LG Round Cassette hides clunky parts into a smooth surface to provide harmony and aesthetic to the living area.

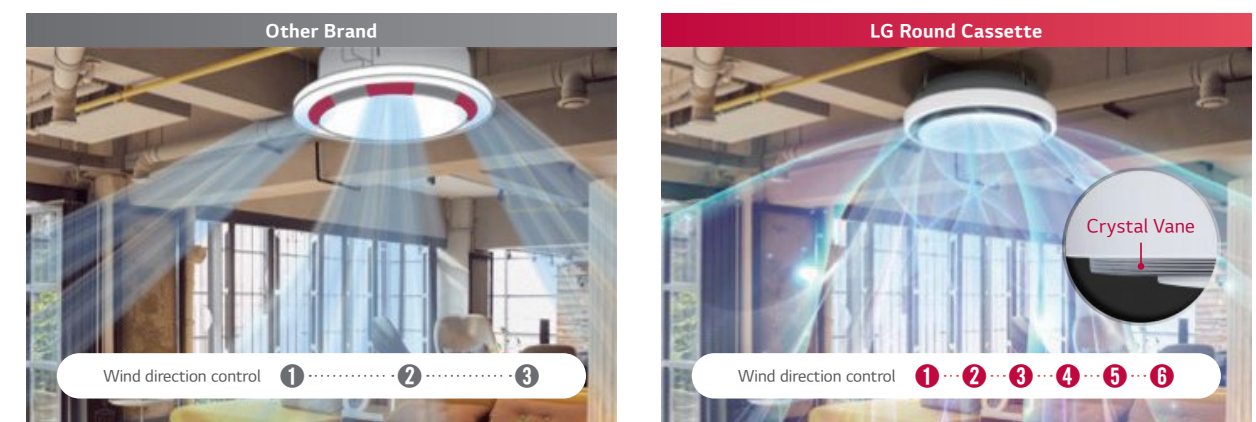


This air conditioning impresses with a sophisticated design and application concept that combines modern technology with a user-friendly operating comfort.

※ Red Dot Design Award : World's three major international design competitions, German Design Association (2019)
PIN UP Design Award : Korea Industrial Designers Association (Ministry of Trade, Industry and Energy) (2018)

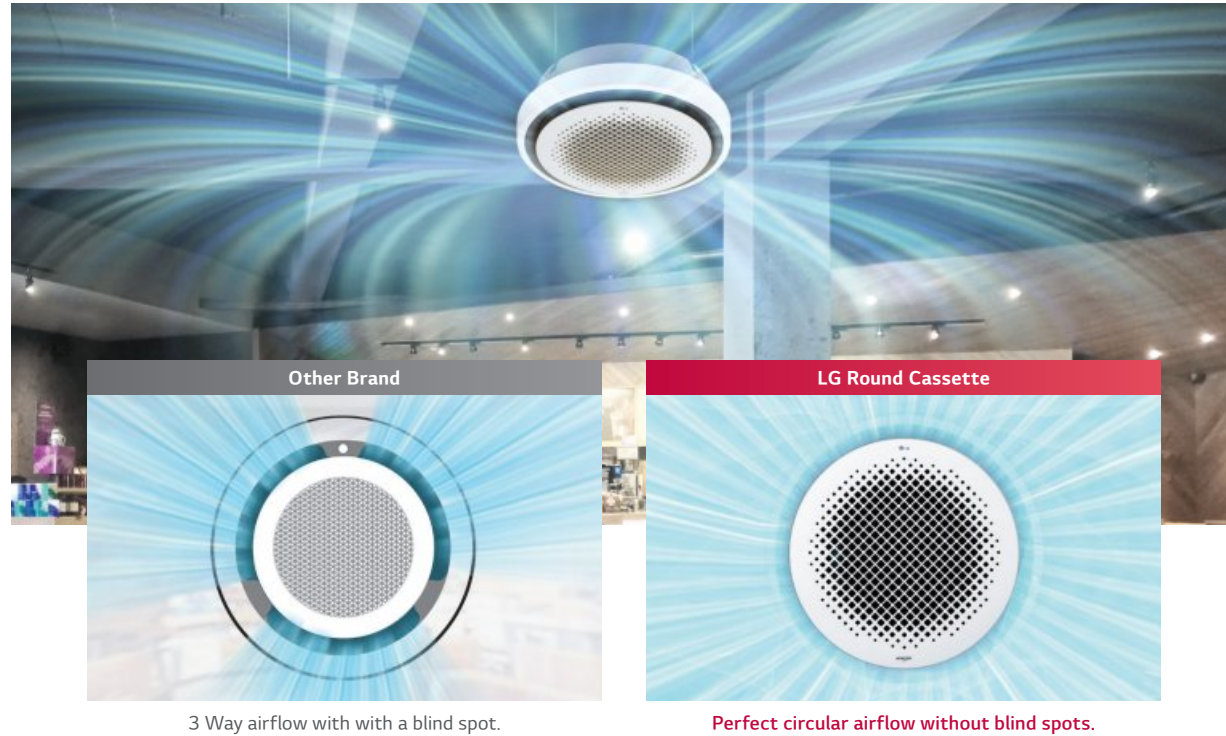
6-Step Vane Control

Crystal vane allows for 6-step precision control for cool and warm airflow in every direction.



Perfect Round Airflow

Perfect round airflow without blind spots with a possibility to control the four vanes individually.



3 Way airflow with with a blind spot.

Perfect circular airflow without blind spots.

Quiet Operation

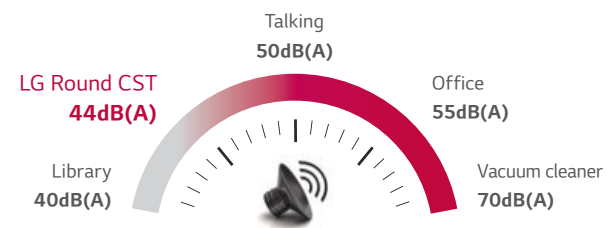
LG Round cassette makes the space quieter.

Sound Pressure

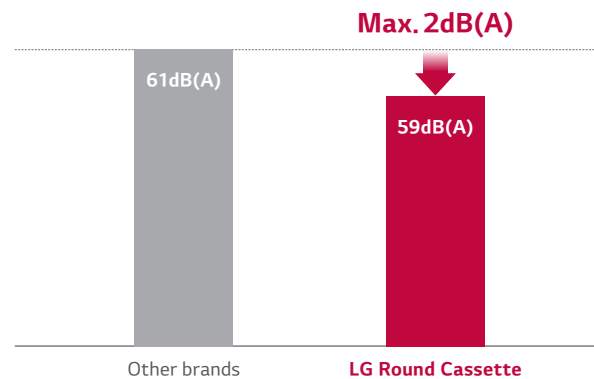


Normal communication
Noise level 50dB(A)

Library
Noise level 40dB(A)



Sound Power



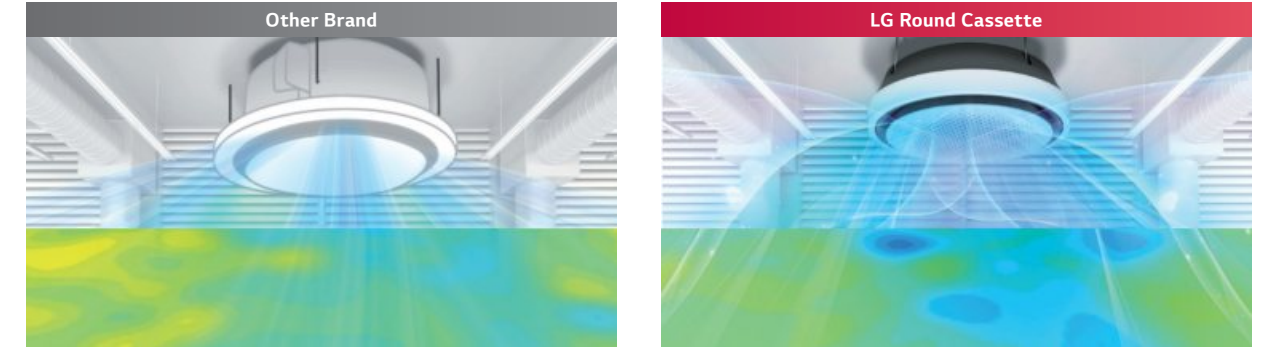
Sound power levels (cooling)_dB(A)

Other brands	LG Round Cassette
61	Max. 59

※ The value is based on the Sound pressure Level(Cooling), 11.0kW model

Faster in Cooling

Larger airflow rate with the cooling rate being 30% faster than the competition.



Set temperature reach time is 18 minutes (Height 1.1m)

Set temperature reach time is 12 minutes (Height 1.1m)

※ Based on test results from LG chamber, this image is designed to help customers understand.

Experimental environment : height 3.2m, cooling mode, high flow rate, horizontal air flow direction, initial temperature :33°C, setting temperature 26°C

Outside Control Box

The control box is located on the side for comfortable wiring and installation.



Inconvenient installation
Inside control box / hard to installation

Convenient installation
Outside control box / easy to installation

Embedded Humidity Sensor

Humidity sensor is included as standard, so comfort cooling function is possible without separate wired remote controller.



Simple Setting

- Press the 'Function' button repeatedly until 'comfort cooling icon' displayed



- Press the 'Set' button



Set Button



STANDARD INVERTER (R32)

UT36F NYO / UT48F NYO



UUD1 U30



LG participates in the ECP programme for EUROVENT AC program.
Check ongoing validity of certification
: www.eurovent-certification.com

COMBINATION				36	48
Capacity	Cooling	Min. / Rated / Max.	kW	3.80 / 11.00 / 12.54	5.40 / 13.40 / 15.68
	Heating	Min. / Rated / Max.	kW	4.30 / 12.20 / 13.39	6.20 / 15.50 / 17.52
Power Input (Set)	Cooling	Min. / Rated / Max.	kW	0.50 / 3.06 / 3.98	0.90 / 4.39 / 5.71
	Heating	Min. / Rated / Max.	kW	0.50 / 3.13 / 4.26	0.90 / 4.56 / 5.56
Running Current	Cooling	Rated	A	10.10	19.50
	Heating	Rated	A	10.70	20.20
EER / COP			kWh/kWh	3.60 / 3.90	3.05 / 3.40
SEER / SCOP			kWh/kWh	6.80 / 4.30	6.50 / 4.30
P Design	Cooling @ 35°C		kW	11.0	13.4
	Heating @-10°C		kW	9.0	9.0
Seasonal Energy Label	Cooling / Heating		-	A++ / A+	- / -
Annual Energy Consumption	Cooling / Heating		kWh	566 / 2,930	1,237 / 2,930
Dehumidification Rate			l/h	4.27	5.65
ODU Sound Pressure Level	Cooling / Heating	Rated	dB(A)	50 / 50	52 / 53
ODU Sound Power Level	Cooling / Heating	Rated	dB(A)	66 / -	69 / 69
Piping Connections	Liquid	Outer Dia.	mm (inch)	Ø 9.52 (3/8)	Ø 9.52 (3/8)
	Gas	Outer Dia.	mm (inch)	Ø 15.88 (5/8)	Ø 15.88 (5/8)
Connections Method			-	Flare	Flare
Operation Range (Outdoor)	Cooling	Min. / Max.	°C	-20 / 52	-20 / 52
	Heating	Min. / Max.	°C	-25 / 18	-25 / 18
INDOOR				UT36F NYO	UT48F NYO
Power Supply			Ø / V / Hz	1 / 220-240 / 50	1 / 220-240 / 50
Power Input (IDU)		H / M / L	W	90 / 66 / 48	125 / 90 / 66
Air Flow Rate		H / M / L	m³/min	25.0 / 21.0 / 19.0	29.0 / 25.0 / 21.0
Dimensions	Body	W x H x D	mm	1,050 x 330 x 1,050	1,050 x 330 x 1,050
Weight	Body		kg	30.0	30.0
Sound Pressure Level	Cooling	H / M / L	dB(A)	44.0 / 40.0 / 38.0	47.0 / 44.0 / 40.0
	Heating	H / M / L	dB(A)	47.0 / 43.0 / 40.0	49.0 / 46.0 / 42.0
Sound Power Level	Cooling	Rated	dB(A)	59	60
	Heating	Rated	dB(A)	-	62
Piping Connections	Drain Pipe	O.D. / I.D.	mm	Ø 32.0 / 25.0	Ø 32.0 / 25.0
OUTDOOR				UUD1 U30	
Power Supply			Ø / V / Hz	1 / 220-240 / 50	
Circuit Breaker		Min.	A	40	
Power Supply Cable (included Earth)			No. x mm²	3C x 6.0	
Dimensions	Net	W x H x D	mm	950 x 1,380 x 330	
Weight	Net		kg	85.0	
Compressor	Type		-	LG Inverter Scroll	
	Type		-	R32	
Refrigerant	GWP (Global Warming Potential)		-	675	
	Precharged Amount		kg	3.0	
	t-CO ₂ eq.		-	2.025	
	Additional Charging Volume		g/m	40	
Fan	Air Flow Rate	Rated	m³/min x No.	55 x 2	
Total Piping Length		Min. / Max.	m	5 / 85	
Piping Elevation	IDU-ODU	Max.	m	30	

STANDARD INVERTER (R32)

UT36F NYO / UT48F NYO



UUD3 U30



LG participates in the ECP programme for EUROVENT AC program.
Check ongoing validity of certification
: www.eurovent-certification.com

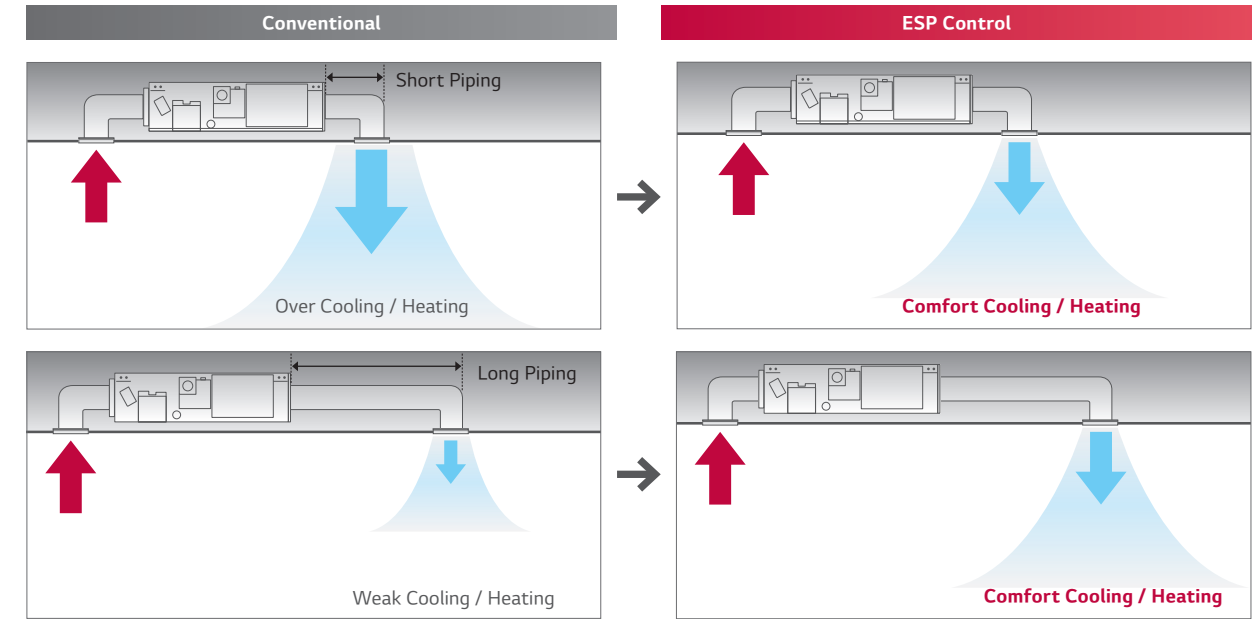
COMBINATION				36	48
Capacity	Cooling	Min. / Rated / Max.	kW	3.80 / 11.00 / 12.54	5.40 / 13.40 / 15.68
	Heating	Min. / Rated / Max.	kW	4.30 / 12.20 / 13.39	6.20 / 15.50 / 17.52
Power Input (Set)	Cooling	Min. / Rated / Max.	kW	0.50 / 3.06 / 3.98	0.90 / 4.39 / 5.71
	Heating	Min. / Rated / Max.	kW	0.50 / 3.13 / 4.26	0.90 / 4.56 / 5.56
Running Current	Cooling	Rated	A	5.20	7.00
	Heating	Rated	A	5.30	7.30
EER / COP			kWh/kWh	3.60 / 3.90	3.05 / 3.40
SEER / SCOP			kWh/kWh	6.80 / 4.30	6.50 / 4.30
P Design	Cooling @ 35°C		kW	11.0	13.4
	Heating @-10°C		kW	9.0	9.0
Seasonal Energy Label	Cooling / Heating		-	A++ / A+	- / -
Annual Energy Consumption	Cooling / Heating		kWh	566 / 2,931	1,237 / 2,931
Dehumidification Rate			l/h	4.27	5.65
ODU Sound Pressure Level	Cooling / Heating	Rated	dB(A)	50 / 50	52 / 53
ODU Sound Power Level	Cooling / Heating	Rated	dB(A)	66 / -	69 / 69
Piping Connections	Liquid	Outer Dia.	mm (inch)	Ø 9.52 (3/8)	Ø 9.52 (3/8)
	Gas	Outer Dia.	mm (inch)	Ø 15.88 (5/8)	Ø 15.88 (5/8)
Connections Method			-	Flare	Flare
Operation Range (Outdoor)	Cooling	Min. / Max.	°C	-20 / 52	-20 / 52
	Heating	Min. / Max.	°C	-25 / 18	-25 / 18
INDOOR				UT36F NYO	UT48F NYO
Power Supply			Ø / V / Hz	1 / 220-240 / 50	1 / 220-240 / 50
Power Input (IDU)		H / M / L	W	90 / 66 / 48	125 / 90 / 66
Air Flow Rate		H / M / L	m³/min	25.0 / 21.0 / 19.0	29.0 / 25.0 / 21.0
Dimensions	Body	W x H x D	mm	1,050 x 330 x 1,050	1,050 x 330 x 1,050
Weight	Body		kg	30.0	30.0
Sound Pressure Level	Cooling	H / M / L	dB(A)	44.0 / 40.0 / 38.0	47.0 / 44.0 / 40.0
	Heating	H / M / L	dB(A)	47.0 / 43.0 / 40.0	49.0 / 46.0 / 42.0
Sound Power Level	Cooling	Rated	dB(A)	59	60
	Heating	Rated	dB(A)	-	62
Piping Connections	Drain Pipe	O.D. / I.D.	mm	Ø 32.0 / 25.0	Ø 32.0 / 25.0
OUTDOOR				UUD3 U30	
Power Supply			Ø / V / Hz	3 / 380-415 / 50	
Circuit Breaker		Min.	A	20	
Power Supply Cable (included Earth)			No. x mm²	5C x 2.5	
Dimensions	Net	W x H x D	mm	950 x 1,380 x 330	
Weight	Net		kg	85.0	
Compressor	Type		-	LG Inverter Scroll	
	Type		-	R32	
Refrigerant	GWP (Global Warming Potential)		-	675	
	Precharged Amount		kg	3.0	
	t-CO ₂ eq.		-	2.025	
	Additional Charging Volume		g/m	40	
Fan	Air Flow Rate	Rated	m³/min x No.	55 x 2	
Total Piping Length		Min. / Max.	m	5 / 85	
Piping Elevation	IDU-ODU	Max.	m	30	

CEILING CONCEALED DUCT



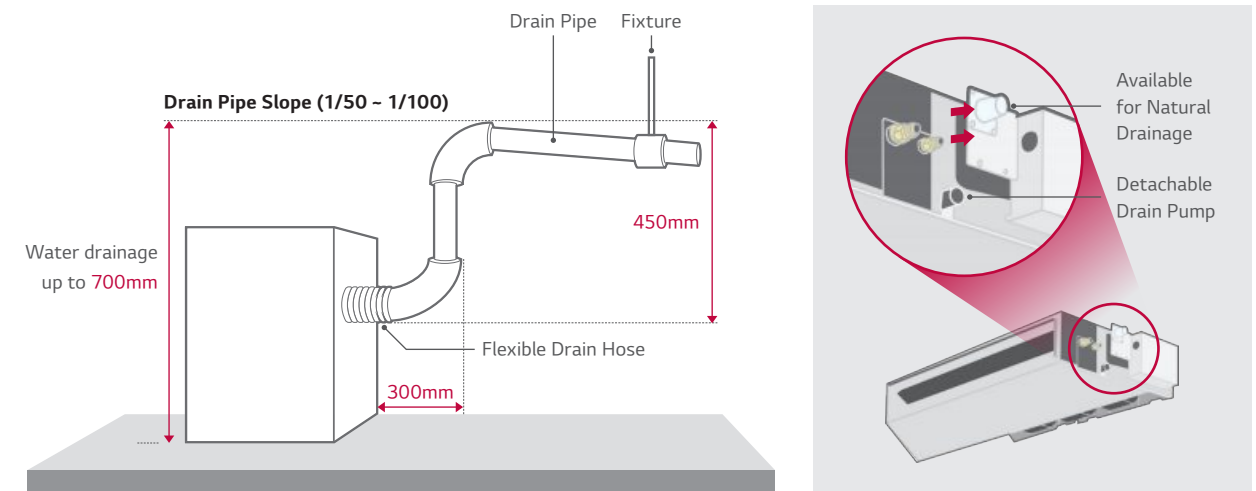
External Static Pressure (ESP) Control

A user can easily access the air volume selection via a remote controller using the ESP control function. The BLDC motor can control fan speed and air volume. No additional accessories are necessary to control the air flow.



High Head Drain Pump

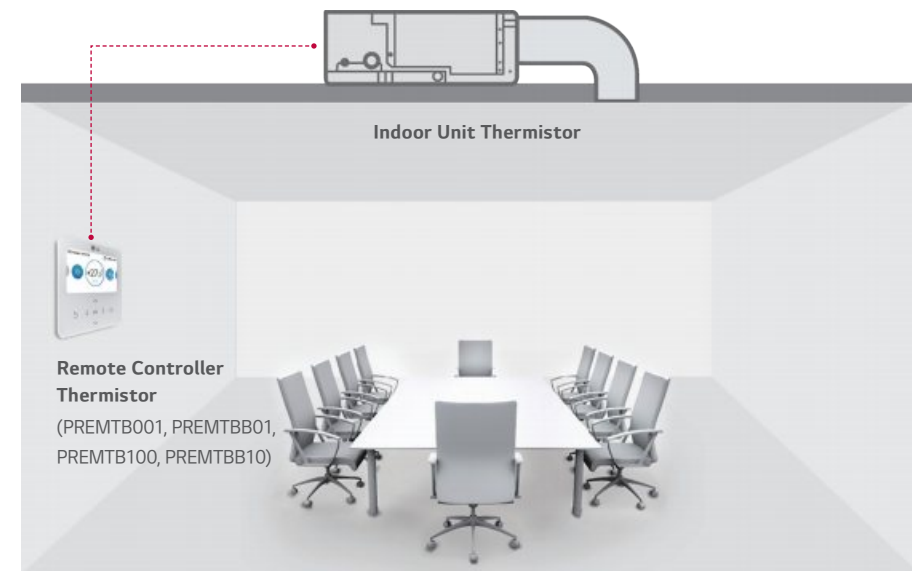
High head drain pump automatically drains water up to a height of 700mm of drain-head height. It provides the perfect solution for draining of water.



※ Standard Inverter : Accessory (ABDPG) / Low-Static Duct : Included
 ※ Required by option for Standard / Compact Inverter high static pressure models.

Two Thermistors Control

The indoor temperature can be checked using the thermistors in the remote controller as well as from the indoor unit. There may be a significant difference between ceiling and floor air temperature. Two thermistors can optimize indoor air temperature for a more comfortable environment.



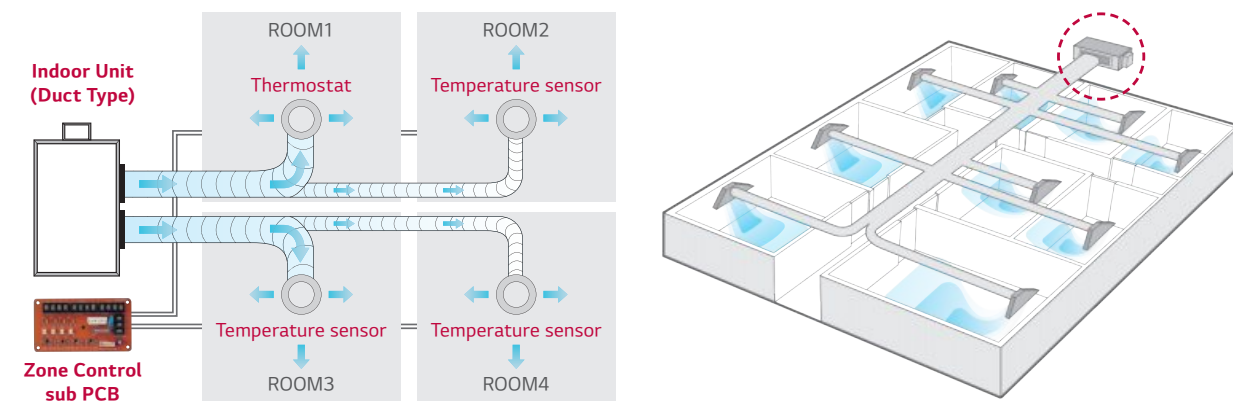
Compares temperatures sensed from different positions, and automatically selects the optimum temperature for users.

Operation for Multiple Rooms

Using a spiral duct (embedded or flexible type) and stream chamber, it is possible to operate cooling / heating for several rooms simultaneously. Also, zone control is available with zone controller accessory. (ABZCA)

Zone control features

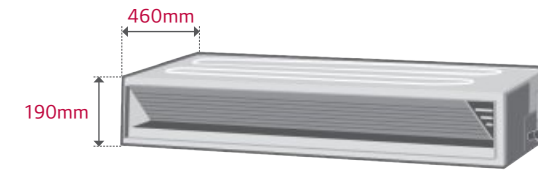
- Controls different zones (Up to 4 zones) by external thermostat (AC 24V)
- Maintain proper air volume of each zone
- Auto variation of dampers
- Auto control of fan speed and On / Off operation



Minimized Height and Depth

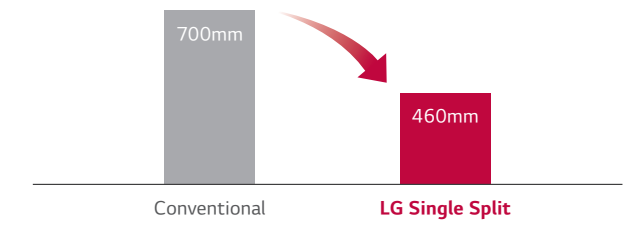
New Low Static ducts provide ideal solution for installation in limited space.

Low Static Duct



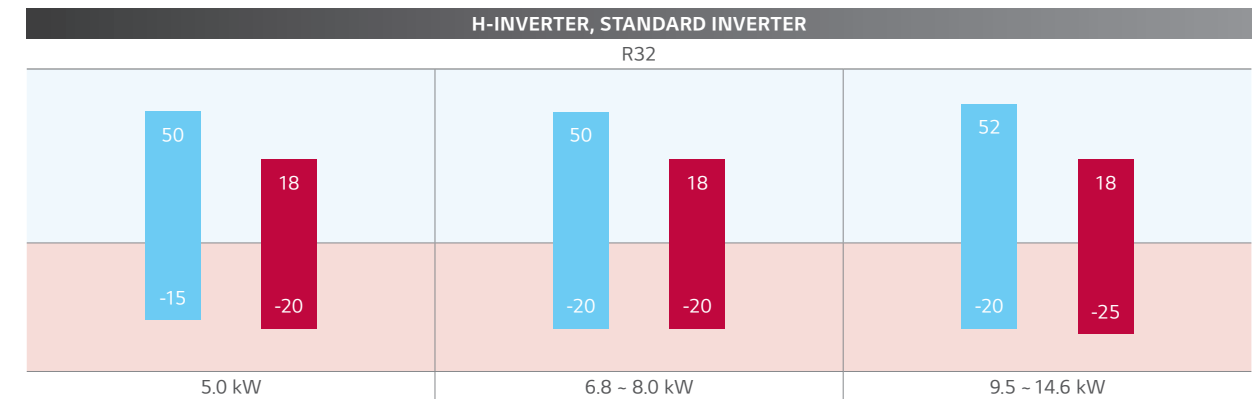
※ CL09F N50, CL12F N50, CL18F N60, UL12FH N50 only

Depth



※ 2.5 / 3.4 / 5 kW

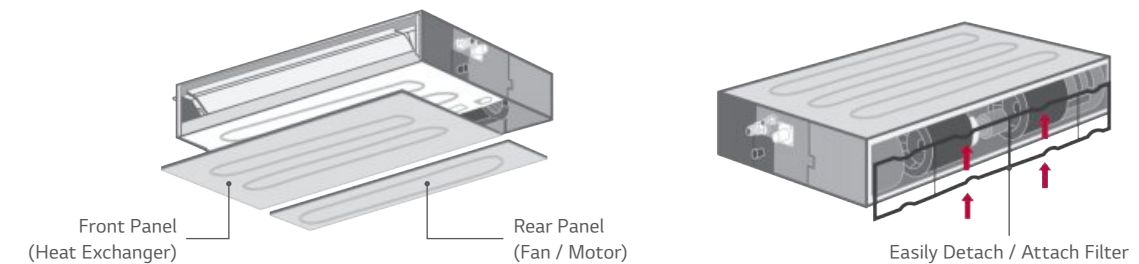
Wide Operation Range



■ Outdoor temperature for cooling operation (°C DB) ■ Outdoor temperature for heating operation (°C WB)

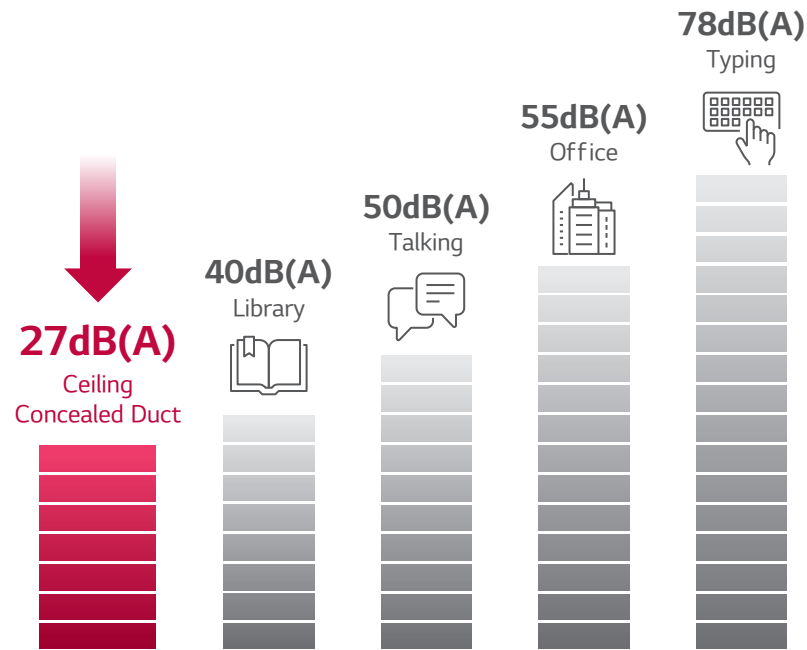
Easy Service & Maintenance

Users are not required to disassemble the whole panel for maintenance; since panel is divided into 2 components; one for heat exchanger and the other for fan / motor. The user can easily detach and re-attach the filter in the available limited space.



Quiet Operation (Low Static Pressure Model)

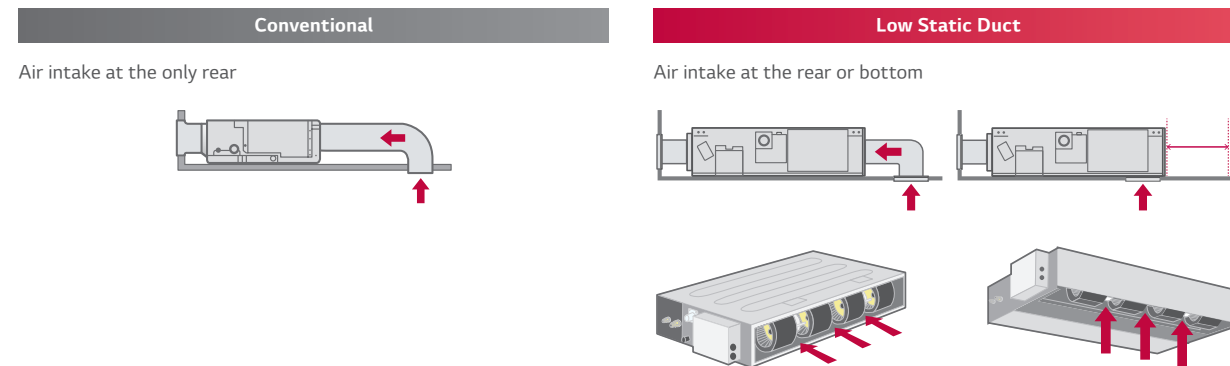
The noise level of low static ducts have been reduced, even though ESP has been increased.



		CL09F N50	CL12F N50	CL18F N60	CL24F N30
Sound Pressure (High / Medium / Low)	dB(A)	35 / 30 / 27	35 / 30 / 27	34 / 31 / 29	39 / 35 / 32

Flexible Installation (Low Static Pressure Model)

Standard Inverter low static duct allows the air intake at the rear or bottom under installation condition.



H-INVERTER (R32)

LOW STATIC PRESSURE
- UL12FH / UL18FH

UUA1 ULO UUB1 U20



LG participates in the ECP programme for EUROVENT AC program. Check ongoing validity of certification : www.eurovent-certification.com

COMBINATION				12	18
Capacity	Cooling	Min. / Rated / Max.	kW	1.5 / 3.4 / 4.7	2.0 / 5.0 / 6.0
	Heating	Min. / Rated / Max.	kW	1.8 / 4.0 / 4.9	2.3 / 5.8 / 7.0
Power Input (Set)	Cooling	Min. / Rated / Max.	kW	0.33 / 1.05 / 1.84	0.30 / 1.39 / 1.88
	Heating	Min. / Rated / Max.	kW	0.33 / 1.08 / 1.63	0.30 / 1.56 / 2.12
Running Current	Cooling	Rated	A	4.7	7.6
	Heating	Rated	A	4.8	8.1
EER / COP			kWh / kWh	3.23 / 3.71	3.60 / 3.71
SEER / SCOP			kWh / kWh	6.1 / 4.0	6.5 / 4.1
Pdesign	Cooling @ 35°C		kW	3.4	5
	Heating @ -10°C		kW	2.9	4.1
Seasonal Energy Label	Cooling / Heating			A++ / A+	A++ / A+
Annual Energy Consumption	Cooling / Heating		kWh	195 / 1,015	269 / 1,400
Dehumidification Rate			l/h	0.8	2.6
ODU Sound Pressure Level	Cooling / Heating	Rated	dB(A)	49 / 52	47 / 52
	Cooling	Rated	dB(A)	65	63
Piping Connections	Liquid		mm (inch)	Ø6.35 (1/4)	Ø6.35 (1/4)
	Gas		mm (inch)	Ø9.52 (3/8)	Ø12.7 (1/2)
	Connections Method			Flared	Flared
Operation Range (Outdoor)	Cooling	Min. / Max.	°C	-15 / 50	-15 / 50
	Heating	Min. / Max.	°C	-20 / 18	-20 / 18
INDOOR				UL12FH N50	UL18FH N30
Power Supply			Ø / V / Hz	1 / 220-240 / 50	1 / 220-240 / 50
Power Input (IDU)		H / M / L	W	21 / 15 / 13	140 / 125 / 100
Air Flow Rate		H / M / L	m³/min	11.5 / 9.5 / 8	18.5 / 15 / 11
Dimensions	Body	W x H x D	mm	900 x 190 x 460	1,100 x 190 x 700
Weight	Body		kg	18	26.0
Sound Pressure Level	Cooling	H / M / L	dB(A)	35 / 30 / 27	38 / 34 / 31
Sound Power Level	Cooling	Max	dB(A)	55	56
Piping Connections	Drain	O.D. / I.D.	mm	Ø32.0 / 26.0	Ø32.0 / 26.0
OUTDOOR				UUA1 ULO	UUB1 U20
Power Supply			Ø / V / Hz	1 / 220-240 / 50	1 / 220-240 / 50
Circuit Breaker		Min	A	15	20
Power Supply Cable (Included Earth)			No x mm³	3C x 1.5	3C x 2.5
Dimensions	Net	W x H x D	mm	770 x 545 x 288	870 x 650 x 330
Weight	Net		kg	33.3	44.5
Compressor	Type			Twin Rotary	Twin Rotary
	Type			R32	R32
Refrigerant	GWP (Global Warming Potential)			675	675
	Precharged Amount		kg	1.0	1.2
	t-CO ₂ eq			0.675	0.81
	Additional Charge (After 7.5m)		g/m	20	20
Fan	Air Flow Rate	Rated	m³/min x No.	28 x 1	50 x 1
Total Piping Length		Min. / Max.	m	5 / 30	5 / 30
Piping Elevation	IDU - ODU	Max	m	30	30

H-INVERTER (R32)

MID STATIC PRESSURE

- UM12FH / UM18FH / UM24FH / UM30FH



UUA1 ULO

UUB1 U20

UUC1 U40



LG participates in the ECP programme for EUROVENT AC program.
Check ongoing validity of certification
: www.eurovent-certification.com

COMBINATION				12	18	24	30
Capacity	Cooling	Min. / Rated / Max.	kW	1.6 / 3.5 / 5.1	2.0 / 5.0 / 6.0	2.7 / 6.8 / 8.3	3.1 / 7.8 / 9.3
	Heating	Min. / Rated / Max.	kW	1.6 / 4.0 / 5.8	2.3 / 5.8 / 7.0	3.0 / 7.5 / 9.4	3.6 / 9.0 / 10.7
Power Input (Set)	Cooling	Min. / Rated / Max.	kW	0.32 / 1.03 / 1.93	0.30 / 1.26 / 1.70	0.40 / 1.84 / 2.56	0.50 / 2.25 / 2.99
	Heating	Min. / Rated / Max.	kW	0.32 / 0.98 / 1.85	0.30 / 1.49 / 2.01	0.40 / 1.75 / 2.52	0.50 / 2.27 / 3.11
Running Current	Cooling	Rated	A	4.6	7.3	8.2	10.0
	Heating	Rated	A	4.3	7.8	7.8	10.1
EER / COP			kWh / kWh	3.40 / 4.10	3.96 / 3.89	3.70 / 4.28	3.51 / 3.97
SEER / SCOP			kWh / kWh	6.1 / 3.9	6.6 / 4.2	6.8 / 4.3	6.6 / 4.3
Pdesign	Cooling @ 35°C		kW	3.5	5	6.8	7.8
	Heating @ -10°C		kW	2.8	4.4	5.4	5.4
Seasonal Energy Label	Cooling / Heating		-	A++ / A	A++ / A+	A++ / A+	A++ / A+
Annual Energy Consumption	Cooling / Heating		kWh	201 / 1,005	265 / 1,467	350 / 1,758	419 / 1,758
Dehumidification Rate			l/h	0.4	1.3	1.2	2.2
ODU Sound Pressure Level	Cooling / Heating	Rated	dB(A)	49 / 52	47 / 52	48 / 52	50 / 52
ODU Sound Power Level	Cooling	Rated	dB(A)	65	63	65	68
Piping Connections	Liquid		mm (inch)	Ø6.35 (1/4)	Ø6.35 (1/4)	Ø9.52 (3/8)	Ø9.52 (3/8)
	Gas		mm (inch)	Ø9.52 (3/8)	Ø12.7 (1/2)	Ø15.88 (5/8)	Ø15.88 (5/8)
	Connections Method		-	Flared	Flared	Flared	Flared
Operation Range (Outdoor)	Cooling	Min. / Max.	°C	-15 ~ 50	-15 ~ 50	-20 ~ 50	-20 ~ 50
	Heating	Min. / Max.	°C	-20 ~ 18	-20 ~ 18	-20 ~ 18	-20 ~ 18
INDOOR				UM12FH N10	UM18FH N10	UM24FH N20	UM30FH N20
Power Supply			Ø / V / Hz	1 / 220-240 / 50	1 / 220-240 / 50	1 / 220-240 / 50	1 / 220-240 / 50
Power Input (IDU)		H / M / L	W	150 / 130 / 110	180 / 150 / 130	134 / 101 / 80	134 / 101 / 80
Air Flow Rate		H / M / L	m³/min	16.5 / 14.5 / 13	17.5 / 16 / 14	28 / 24 / 21	28 / 24 / 21
Dimensions	Body	W x H x D	mm	900 x 270 x 700	900 x 270 x 700	1,250 x 270 x 700	1,250 x 270 x 700
Weight	Body		kg	25.4	27.0	39.3	39.3
Sound Pressure Level	Cooling	H / M / L	dB(A)	34 / 32 / 30	35 / 34 / 32	34 / 33 / 32	34 / 33 / 32
Sound Power Level	Cooling	Max.	dB(A)	56	60	59	59
Piping Connections	Drain (Natural Drainage)	O.D. / I.D.	mm	Ø25.4 / 19.4	Ø25.4 / 19.4	Ø25.4 / 19.4	Ø25.4 / 19.4
	Drain (Using Drain Pump)	O.D. / I.D.	mm	Ø32.0 / 26.0	Ø32.0 / 26.0	Ø32.0 / 26.0	Ø32.0 / 26.0
OUTDOOR				UUA1 ULO	UUB1 U20	UUC1 U40	
Power Supply			Ø / V / Hz	1 / 220-240 / 50	1 / 220-240 / 50	1 / 220-240 / 50	
Circuit Breaker		Min.	A	15	20	25	
Power Supply Cable (Included Earth)			No x mm³	3C x 1.5	3C x 2.5	3C x 2.5	
Dimensions	Net	W x H x D	mm	770 x 545 x 288	870 x 650 x 330	950 x 834 x 330	
Weight	Net		kg	33.3	44.5	57.7	
Compressor	Type		-	Twin Rotary	Twin Rotary	Twin Rotary	
	Type		-	R32	R32	R32	
Refrigerant	GWP (Global Warming Potential)		-	675	675	675	
	Precharged Amount		kg	1.0	1.2	1.9	
	t-CO ₂ eq		-	0.675	0.81	1.283	
	Additional Charge (After 7.5m)		g/m	20	20	40	
Fan	Air Flow Rate	Rated	m³/min x No.	28 x 1	50 x 1	58 x 1	
Total Piping Length		Min. / Max.	m	5 / 30	5 / 30	5 / 50	
Piping Elevation	IDU - ODU	Max.	m	30	30	30	

H-INVERTER (R32)

MID STATIC PRESSURE

- UM36FH / UM42FH / UM48FH



UUD1 U30



LG participates in the ECP programme for EUROVENT AC program.
Check ongoing validity of certification
: www.eurovent-certification.com

COMBINATION				36	42	48
Capacity	Cooling	Min. / Rated / Max.	kW	3.8 / 9.5 / 12.8	4.8 / 12.0 / 14.4	5.4 / 13.4 / 16.1
	Heating	Min. / Rated / Max.	kW	4.3 / 10.8 / 13.7	5.4 / 13.5 / 16.2	6.2 / 15.5 / 17.8
Power Input (Set)	Cooling	Min. / Rated / Max.	kW	0.50 / 2.26 / 3.39	0.70 / 3.38 / 4.56	0.80 / 4.12 / 5.56
	Heating	Min. / Rated / Max.	kW	0.50 / 2.57 / 3.60	0.70 / 3.51 / 4.56	0.80 / 4.18 / 5.24
Running Current	Cooling	Rated	A	10.0	14.9	18.1
	Heating	Rated	A	11.3	15.3	18.4
EER / COP			kWh / kWh	4.20 / 4.20	3.55 / 3.85	3.25 / 3.71
SEER / SCOP			kWh / kWh	6.4 / 4.2	6.2 / 4.1	6.1 / 4.1
Pdesign	Cooling @ 35°C		kW	9.5	12	13.4
	Heating @ -10°C		kW	9.5	9.5	9.5
Seasonal Energy Label	Cooling / Heating		-	A++ / A+	A++ / A+	-
Annual Energy Consumption	Cooling / Heating		kWh	520 / 3,167	677 / 3,244	1,318 / 3,244
Dehumidification Rate			l/h	2.0	4.2	4.8
ODU Sound Pressure Level	Cooling / Heating	Rated	dB(A)	50 / 50	51 / 52	52 / 53
ODU Sound Power Level	Cooling	Rated	dB(A)	66	69	69
Piping Connections	Liquid		mm (inch)	Ø9.52 (3/8)	Ø9.52 (3/8)	Ø9.52 (3/8)
	Gas		mm (inch)	Ø15.88 (5/8)	Ø15.88 (5/8)	Ø15.88 (5/8)
	Connections Method		-	Flared	Flared	Flared
Operation Range (Outdoor)	Cooling	Min. / Max.	°C	-20 ~ 52	-20 ~ 52	-20 ~ 52
	Heating	Min. / Max.	°C	-25 ~ 18	-25 ~ 18	-25 ~ 18
INDOOR				UM36FH N30	UM42FH N30	UM48FH N30
Power Supply			Ø / V / Hz	1 / 220-240 / 50	1 / 220-240 / 50	1 / 220-240 / 50
Power Input (IDU)		H / M / L	W	242 / 159 / 124	242 / 159 / 124	242 / 159 / 124
Air Flow Rate		H / M / L	m³/min	40 / 34 / 28	40 / 34 / 28	40 / 34 / 28
Dimensions	Body	W x H x D	mm	1,250 x 360 x 700	1,250 x 360 x 700	1,250 x 360 x 700
Weight	Body		kg	44.3	44.3	44.3
Sound Pressure Level	Cooling	H / M / L	dB(A)	39 / 38 / 36	39 / 38 / 36	39 / 38 / 36
Sound Power Level	Cooling	Max.	dB(A)	65	65	65
Piping Connections	Drain (Natural Drainage)	O.D. / I.D.	mm	Ø25.4 / 19.4	Ø25.4 / 19.4	Ø25.4 / 19.4
	Drain (Using Drain Pump)	O.D. / I.D.	mm	Ø32.0 / 26.0	Ø32.0 / 26.0	Ø32.0 / 26.0
OUTDOOR				UUD1 U30		
Power Supply			Ø / V / Hz	1 / 220-240 / 50		
Circuit Breaker		Min.	A	40		
Power Supply Cable (Included Earth)			No x mm³	3C x 6.0		
Dimensions	Net	W x H x D	mm	950 x 1,380 x 330		
Weight	Net		kg	85.0		
Compressor	Type		-	Inverter Scroll		
	Type		-	R32		
Refrigerant	GWP (Global Warming Potential)		-	675		
	Precharged Amount		kg	3.0		
	t-CO ₂ eq		-	2.025		
	Additional Charge (After 7.5m)		g/m	40		
Fan	Air Flow Rate	Rated	m³/min x No.	55 x 2		
Total Piping Length		Min. / Max.	m	5 / 85		
Piping Elevation	IDU - ODU	Max.	m	30		

H-INVERTER (R32)

MID STATIC PRESSURE

- UM36FH / UM42FH / UM48FH



LG participates in the ECP programme for EUROVENT AC program.
Check ongoing validity of certification
: www.eurovent-certification.com

UUD3 U30



STANDARD INVERTER (R32)

LOW STATIC PRESSURE

- CL09F / CL12F / CL18F / CL24F



LG participates in the ECP programme for EUROVENT AC program.
Check ongoing validity of certification
: www.eurovent-certification.com

UUA1 U10



UUB1 U20



UUC1 U40



COMBINATION				36	42	48
Capacity	Cooling	Min. / Rated / Max.	kW	3.8 - 9.5 - 12.8	4.8 - 12.0 - 14.4	5.4 - 13.4 - 16.1
	Heating	Min. / Rated / Max.	kW	4.3 - 10.8 - 13.7	5.4 - 13.5 - 16.2	6.2 - 15.5 - 17.8
Power Input (Set)	Cooling	Min. / Rated / Max.	kW	0.50 - 2.26 - 3.39	0.70 - 3.38 - 4.56	0.80 - 4.12 - 5.56
	Heating	Min. / Rated / Max.	kW	0.50 - 2.57 - 3.60	0.70 - 3.51 - 4.56	0.80 - 4.18 - 5.24
Running Current	Cooling	Rated	A	3.8	5.3	6.5
	Heating	Rated	A	4.1	5.5	6.5
EER / COP			kWh / kWh	4.20 / 4.20	3.55 / 3.85	3.25 / 3.71
SEER / SCOP			kWh / kWh	6.4 / 4.2	6.2 / 4.1	6.1 / 4.1
Pdesign	Cooling @ 35°C		kW	9.5	12	13.4
	Heating @ -10°C		kW	9.5	9.5	9.5
Seasonal Energy Label	Cooling / Heating		-	A++ / A+	A++ / A+	-
Annual Energy Consumption	Cooling / Heating		kWh	520 / 3,167	677 / 3,244	1,318 / 3,244
Dehumidification Rate			l/h	2.0	4.2	4.8
ODU Sound Pressure Level	Cooling / Heating	Rated	dB(A)	50 / 50	51 / 52	52 / 53
ODU Sound Power Level	Cooling	Rated	dB(A)	66	69	69
Piping Connections	Liquid		mm (inch)	Ø9.52 (3/8)	Ø9.52 (3/8)	Ø9.52 (3/8)
	Gas		mm (inch)	Ø15.88 (5/8)	Ø15.88 (5/8)	Ø15.88 (5/8)
	Connections Method		-	Flared	Flared	Flared
Operation Range (Outdoor)	Cooling	Min. / Max.	°C	-20 / 52	-20 / 52	-20 / 52
	Heating	Min. / Max.	°C	-25 / 18	-25 / 18	-25 / 18
INDOOR				UM36FH N30	UM42FH N30	UM48FH N30
Power Supply		Ø / V / Hz		1 / 220-240 / 50	1 / 220-240 / 50	1 / 220-240 / 50
Power Input (IDU)		H / M / L	W	242 / 159 / 124	242 / 159 / 124	242 / 159 / 124
Air Flow Rate		H / M / L	m³/min	40 / 34 / 28	40 / 34 / 28	40 / 34 / 28
Dimensions	Body	W x H x D	mm	1,250 x 360 x 700	1,250 x 360 x 700	1,250 x 360 x 700
Weight	Body		kg	44.3	44.3	44.3
Sound Pressure Level	Cooling	H / M / L	dB(A)	39 / 38 / 36	39 / 38 / 36	39 / 38 / 36
Sound Power Level	Cooling	Max.	dB(A)	65	65	65
Piping Connections	Drain (Natural Drainage)	O.D. / I.D.	mm	Ø25.4 / 19.4	Ø25.4 / 19.4	Ø25.4 / 19.4
	Drain (Using Drain Pump)	O.D. / I.D.	mm	Ø32.0 / 26.0	Ø32.0 / 26.0	Ø32.0 / 26.0
OUTDOOR				UUD3 U30		
Power Supply		Ø / V / Hz		3 / 380-415 / 50		
Circuit Breaker		Min.	A	20		
Power Supply Cable (Included Earth)			No x mm³	5C x 2.5		
Dimensions	Net	W x H x D	mm	950 x 1,380 x 330		
Weight	Net		kg	85.0		
Compressor	Type		-	Inverter Scroll		
	Type		-	R32		
Refrigerant	GWP (Global Warming Potential)		-	675		
	Precharged Amount		kg	3.0		
	t-CO ₂ eq		-	2.025		
	Additional Charge (After 7.5m)		g/m	40		
Fan	Air Flow Rate	Rated	m³/min x No.	55 x 2		
Total Piping Length		Min. / Max.	m	5 / 85		
Piping Elevation	IDU - ODU	Max.	m	30		

COMBINATION				9	12	18	24
Capacity	Cooling	Min. / Rated / Max.	kW	1.5 / 2.5 / 3.2	1.5 / 3.4 / 4.7	2.0 / 5.0 / 5.8	2.7 / 6.8 / 7.8
	Heating	Min. / Rated / Max.	kW	1.8 / 3.2 / 4.0	1.8 / 4.0 / 4.9	2.3 / 5.8 / 6.7	3.0 / 7.5 / 9.0
Power Input (Set)	Cooling	Min. / Rated / Max.	kW	0.30 / 0.66 / 0.93	0.33 / 1.05 / 1.84	0.3 / 1.35 / 1.89	0.4 / 2.03 / 2.84
	Heating	Min. / Rated / Max.	kW	0.38 / 0.74 / 1.63	0.33 / 1.08 / 1.63	0.4 / 1.77 / 2.48	0.4 / 2.13 / 3.30
Running Current	Cooling	Rated	A	3.0	4.7	7.5	9.0
	Heating	Rated	A	3.3	4.8	8.3	9.4
EER / COP			kWh / kWh	3.80 / 4.30	3.23 / 3.71	3.71 / 3.28	3.35 / 3.52
SEER / SCOP			kWh / kWh	6.1 / 4.0	5.6 / 3.8	6.1 / 3.9	6.2 / 3.9
Pdesign	Cooling @ 35°C		kW	2.5	3.4	5	6.8
	Heating @ -10°C		kW	2.9	2.9	4.1	5.4
Seasonal Energy Label	Cooling / Heating		-	A++ / A+	A+ / A	A++ / A	A++ / A
Annual Energy Consumption	Cooling / Heating		kWh	143 / 1,015	213 / 1,068	287 / 1,472	384 / 1,938
Dehumidification Rate			l/h	0.2	0.8	1.6	2.5
ODU Sound Pressure Level	Cooling / Heating	Rated	dB(A)	49 / 52	49 / 52	47 / 52	48 / 52
ODU Sound Power Level	Cooling	Rated	dB(A)	65	65	63	65
Piping Connections	Liquid		mm (inch)	Ø6.35 (1/4)	Ø6.35 (1/4)	Ø6.35 (1/4)	Ø9.52 (3/8)
	Gas		mm (inch)	Ø9.52 (3/8)	Ø9.52 (3/8)	Ø12.7 (1/2)	Ø15.88 (5/8)
	Connections Method		-	Flared	Flared	Flared	Flared
Operation Range (Outdoor)	Cooling	Min. / Max.	°C	-15 / 50	-15 / 50	-15 / 50	-20 / 50
	Heating	Min. / Max.	°C	-20 / 18	-20 / 18	-20 / 18	-20 / 18
INDOOR				CL09F N50	CL12F N50	CL18F N60	CL24F N30
Power Supply		Ø / V / Hz		1 / 220-240 / 50	1 / 220-240 / 50	1 / 220-240 / 50	1 / 220-240 / 50
Power Input (IDU)		H / M / L	W	21 / 15 / 13	21 / 15 / 13	100 / 90 / 80	150 / 130 / 110
Air Flow Rate		H / M / L	m³/min	11.5 / 9.5 / 8	11.5 / 9.5 / 8	15 / 12 / 10	20 / 16 / 12
Dimensions	Body	W x H x D	mm	900 x 190 x 460	900 x 190 x 460	1,100 x 190 x 460	1,100 x 190 x 700
Weight	Body		kg	18.0	18.0	20.9	26.0
Sound Pressure Level	Cooling	H / M / L	dB(A)	35 / 30 / 27	35 / 30 / 27	34 / 31 / 29	39 / 35 / 32
Sound Power Level	Cooling	Max.	dB(A)	55	55	56	58
Piping Connections	Drain	O.D. / I.D.	mm	Ø32.0 / 26.0	Ø32.0 / 26.0	Ø32.0 / 26.0	Ø32.0 / 26.0
OUTDOOR				UUA1 U10		UUB1 U20	
Power Supply		Ø / V / Hz		1 / 220-240 / 50		1 / 220-240 / 50	
Circuit Breaker		Min.	A	15		20	
Power Supply Cable (Included Earth)			No x mm³	3C x 1.5		3C x 2.5	
Dimensions	Net	W x H x D	mm	770 x 545 x 288		870 x 650 x 330	
Weight	Net		kg	33.3		44.5	
Compressor	Type		-	Twin Rotary		Twin Rotary	
	Type		-	R32		R32	
Refrigerant	GWP (Global Warming Potential)		-	675		675	
	Precharged Amount		kg	1.0		1.2	
	t-CO ₂ eq		-	0.675		0.81	
	Additional Charge (After 7.5m)		g/m	20		20	
Fan	Air Flow Rate	Rated	m³/min x No.	28 x 1		50 x 1	
Total Piping Length		Min. / Max.	m	5 / 30		5 / 30	
Piping Elevation	IDU - ODU	Max.	m	30		30	

STANDARD INVERTER (R32)

MID STATIC PRESSURE
- CM18F / CM24F / UM30F



UUB1 U20 UUC1 U40



LG participates in the ECP programme for EUROVENT AC program.
Check ongoing validity of certification
: www.eurovent-certification.com

COMBINATION				18	24	30
Capacity	Cooling	Min. / Rated / Max.	kW	2.0 / 5.0 / 5.8	2.7 / 6.8 / 8.0	3.1 / 7.8 / 9.0
	Heating	Min. / Rated / Max.	kW	2.3 / 5.8 / 6.7	3.0 / 7.5 / 9.0	3.6 / 9.0 / 10.1
Power Input (Set)	Cooling	Min. / Rated / Max.	kW	0.30 / 1.33 / 1.86	0.40 / 1.95 / 2.69	0.40 / 2.23 / 3.03
	Heating	Min. / Rated / Max.	kW	0.40 / 1.76 / 2.46	0.50 / 2.27 / 3.29	0.50 / 2.64 / 3.33
Running Current	Cooling	Rated	A	7.4	8.7	9.9
	Heating	Rated	A	8.3	10.1	11.7
EER / COP			kWh / kWh	3.75 / 3.30	3.49 / 3.31	3.50 / 3.41
SEER / SCOP			kWh / kWh	6.4 / 4.1	6.6 / 3.9	6.1 / 4.0
Pdesign	Cooling @ 35°C		kW	5	6.8	7.8
	Heating @ -10°C		kW	4.1	5.4	5.4
Seasonal Energy Label	Cooling / Heating		-	A++ / A+	A++ / A	A++ / A+
Annual Energy Consumption	Cooling / Heating		kWh	273 / 1,400	361 / 1,938	448 / 1,890
Dehumidification Rate			l/h	1.2	2.6	2.4
ODU Sound Pressure Level	Cooling / Heating	Rated	dB(A)	47 / 52	48 / 52	50 / 52
ODU Sound Power Level	Cooling	Rated	dB(A)	63	65	68
Piping Connections	Liquid		mm (inch)	Ø6.35 (1/4)	Ø9.52 (3/8)	Ø9.52 (3/8)
	Gas		mm (inch)	Ø12.7 (1/2)	Ø15.88 (5/8)	Ø15.88 (5/8)
	Connections Method		-	Flared	Flared	Flared
Operation Range (Outdoor)	Cooling	Min. / Max.	°C	-15 / 50	-20 / 50	-20 / 50
	Heating	Min. / Max.	°C	-20 / 18	-20 / 18	-20 / 18
INDOOR				CM18F N10	CM24F N10	UM30F N10
Power Supply			Ø / V / Hz	1 / 220-240 / 50	1 / 220-240 / 50	1 / 220-240 / 50
Power Input (IDU)		H / M / L	W	150 / 130 / 110	180 / 150 / 130	220 / 200 / 180
Air Flow Rate		H / M / L	m³/min	16.5 / 14.5 / 13	18 / 16.5 / 14.5	22 / 20 / 18
Dimensions	Body	W x H x D	mm	900 x 270 x 700	900 x 270 x 700	900 x 270 x 700
Weight	Body		kg	24.6	24.6	26.2
Sound Pressure Level	Cooling	H / M / L	dB(A)	34 / 32 / 30	35 / 34 / 32	37 / 35 / 34
Sound Power Level	Cooling	Max.	dB(A)	59	60	62
Piping Connections	Drain (Natural Drainage)	O.D. / I.D.	mm	Ø25.4 / 19.4	Ø25.4 / 19.4	Ø25.4 / 19.4
	Drain (Using Drain Pump)	O.D. / I.D.	mm	Ø32.0 / 26.0	Ø32.0 / 26.0	Ø32.0 / 26.0
OUTDOOR				UUB1 U20	UUC1 U40	
Power Supply			Ø / V / Hz	1 / 220-240 / 50	1 / 220-240 / 50	
Circuit Breaker		Min.	A	20	25	
Power Supply Cable (Included Earth)			No x mm³	3C x 2.5	3C x 2.5	
Dimensions	Net	W x H x D	mm	870 x 650 x 330	950 x 834 x 330	
Weight	Net		kg	44.5	57.7	
Compressor	Type		-	Twin Rotary	Twin Rotary	
	Type		-	R32	R32	
Refrigerant	GWP (Global Warming Potential)		-	675	675	
	Precharged Amount		kg	1.2	1.9	
	t-CO ₂ eq		-	0.81	1.283	
	Additional Charge (After 7.5m)		g/m	20	40	
Fan	Air Flow Rate	Rated	m³/min x No.	50 x 1	58 x 1	
Total Piping Length		Min. / Max.	m	5 / 30	5 / 50	
Piping Elevation	IDU - ODU	Max.	m	30	30	

STANDARD INVERTER (R32)

MID STATIC PRESSURE
- UM36F / UM42F / UM48F / UM60F



UUD1 U30



LG participates in the ECP programme for EUROVENT AC program.
Check ongoing validity of certification
: www.eurovent-certification.com

COMBINATION				36	42	48	60
Capacity	Cooling	Min. / Rated / Max.	kW	3.8 / 9.5 / 12.5	4.8 / 12.0 / 14.0	5.4 / 13.4 / 15.7	5.8 / 14.6 / 15.8
	Heating	Min. / Rated / Max.	kW	4.3 / 10.8 / 13.4	5.4 / 13.5 / 15.8	6.2 / 15.5 / 17.5	6.7 / 16.8 / 18.1
Power Input (Set)	Cooling	Min. / Rated / Max.	kW	0.50 / 2.50 / 3.80	0.70 / 3.48 / 4.52	0.90 / 4.32 / 5.62	1.00 / 4.95 / 5.54
	Heating	Min. / Rated / Max.	kW	0.60 / 2.77 / 3.77	0.80 / 3.74 / 4.86	0.90 / 4.31 / 5.26	0.90 / 4.60 / 5.29
Running Current	Cooling	Rated	A	11.1	15.3	19.0	21.6
	Heating	Rated	A	12.6	16.4	18.4	20.4
EER / COP			kWh / kWh	3.80 / 3.90	3.45 / 3.61	3.10 / 3.60	2.95 / 3.65
SEER / SCOP			kWh / kWh	5.80 / 3.90	5.60 / 3.90	5.80 / 4.00	5.60 / 4.00
Pdesign	Cooling @ 35°C		kW	9.5	12.0	13.4	14.6
	Heating @ -10°C		kW	9.5	9.5	9.5	9.5
Seasonal Energy Label	Cooling / Heating		-	A+ / A	A+ / A	- / -	- / -
Annual Energy Consumption	Cooling / Heating		kWh	573 / 3,410	750 / 3,410	1,386 / 3,325	1,564 / 3,325
Dehumidification Rate			l/h	2.9	4.4	4.8	4.7
ODU Sound Pressure Level	Cooling / Heating	Rated	dB(A)	50 / 50	51 / 52	52 / 53	54 / 54
ODU Sound Power Level	Cooling	Rated	dB(A)	66	69	69	71
Piping Connections	Liquid		mm (inch)	Ø9.52 (3/8)	Ø9.52 (3/8)	Ø9.52 (3/8)	Ø9.52 (3/8)
	Gas		mm (inch)	Ø15.88 (5/8)	Ø15.88 (5/8)	Ø15.88 (5/8)	Ø15.88 (5/8)
	Connections Method		-	Flared	Flared	Flared	Flared
Operation Range (Outdoor)	Cooling	Min. / Max.	°C	-20 / 52	-20 / 52	-20 / 52	-20 / 52
	Heating	Min. / Max.	°C	-25 / 18	-25 / 18	-25 / 18	-25 / 18
INDOOR				UM36F N20	UM42F N20	UM48F N30	UM60F N30
Power Supply			Ø / V / Hz	1 / 220-240 / 50	1 / 220-240 / 50	1 / 220-240 / 50	1 / 220-240 / 50
Power Input (IDU)		H / M / L	W	183 / 134 / 101	266 / 200 / 145	242 / 159 / 124	342 / 287 / 242
Air Flow Rate		H / M / L	m³/min	32 / 28 / 24	38 / 33 / 28	40 / 34 / 28	50 / 45 / 40
Dimensions	Body	W x H x D	mm	1,250 x 270 x 700	1,250 x 270 x 700	1,250 x 360 x 700	1,250 x 360 x 700
Weight	Body		kg	38.5	38.5	43.5	43.5
Sound Pressure Level	Cooling	H / M / L	dB(A)	36 / 34 / 33	38 / 36 / 34	39 / 38 / 36	42 / 40 / 39
Sound Power Level	Cooling	Max.	dB(A)	60	62	65	66
Piping Connections	Drain (Natural Drainage)	O.D. / I.D.	mm	Ø25.4 / 19.4	Ø25.4 / 19.4	Ø25.4 / 19.4	Ø25.4 / 19.4
	Drain (Using Drain Pump)	O.D. / I.D.	mm	Ø32.0 / 26.0	Ø32.0 / 26.0	Ø32.0 / 26.0	Ø32.0 / 26.0
OUTDOOR				UUD1 U30			
Power Supply			Ø / V / Hz	1 / 220-240 / 50			
Circuit Breaker		Min.	A	40			
Power Supply Cable (Included Earth)			No x mm³	3C x 6.0			
Dimensions	Net	W x H x D	mm	950 x 1,380 x 330			
Weight	Net		kg	85			
Compressor	Type		-	Inverter Scroll			
	Type		-	R32			
Refrigerant	GWP (Global Warming Potential)		-	675			
	Precharged Amount		kg	3.0			
	t-CO ₂ eq		-	2.025			
	Additional Charge (After 7.5m)		g/m	40			
Fan	Air Flow Rate	Rated	m³/min x No.	55 x 2			
Total Piping Length		Min. / Max.	m	5 / 85			
Piping Elevation	IDU - ODU	Max.	m	30			

STANDARD INVERTER (R32)

MID STATIC PRESSURE

- UM 36F / UM42F / UM48F / UM60F



UUD3 U30



LG participates in the ECP programme for EUROVENT AC program.
Check ongoing validity of certification
: www.eurovent-certification.com

COMBINATION				36	42	48	60
Capacity	Cooling	Min. / Rated / Max.	kW	3.8 / 9.5 / 12.5	4.8 / 12.0 / 14.0	5.4 / 13.4 / 15.7	5.8 / 14.6 / 15.8
	Heating	Min. / Rated / Max.	kW	4.3 / 10.8 / 13.4	5.4 / 13.5 / 15.8	6.2 / 15.5 / 17.5	6.7 / 16.8 / 18.1
Power Input (Set)	Cooling	Min. / Rated / Max.	kW	0.50 / 2.50 / 3.80	0.70 / 3.48 / 4.52	0.90 / 4.32 / 5.62	1.00 / 4.95 / 5.54
	Heating	Min. / Rated / Max.	kW	0.60 / 2.77 / 3.77	0.80 / 3.74 / 4.86	0.90 / 4.31 / 5.26	0.90 / 4.60 / 5.29
Running Current	Cooling	Rated	A	4.0	5.5	6.8	7.7
	Heating	Rated	A	4.5	5.9	6.5	7.2
EER / COP			kWh / kWh	3.80 / 3.90	3.45 / 3.61	3.10 / 3.60	2.95 / 3.65
SEER / SCOP			kWh / kWh	5.8 / 3.9	5.6 / 3.9	5.8 / 4.0	5.6 / 4.0
Pdesign	Cooling @ 35°C		kW	9.5	12	13.4	14.6
	Heating @ -10°C		kW	9.5	9.5	9.5	9.5
Seasonal Energy Label	Cooling / Heating		-	A+ / A	A+ / A	- / -	- / -
Annual Energy Consumption	Cooling / Heating		kWh	573 / 3,410	750 / 3,410	1,386 / 3,325	1,564 / 3,325
Dehumidification Rate			l/h	2.9	4.4	4.8	4.7
ODU Sound Pressure Level	Cooling / Heating	Rated	dB(A)	50 / 50	51 / 52	52 / 53	54 / 54
ODU Sound Power Level	Cooling	Rated	dB(A)	66	69	69	71
Piping Connections	Liquid		mm (inch)	Ø9.52 (3/8)	Ø9.52 (3/8)	Ø9.52 (3/8)	Ø9.52 (3/8)
	Gas		mm (inch)	Ø15.88 (5/8)	Ø15.88 (5/8)	Ø15.88 (5/8)	Ø15.88 (5/8)
	Connections Method		-	Flared	Flared	Flared	Flared
Operation Range (Outdoor)	Cooling	Min. / Max.	°C	-20 / 52	-20 / 52	-20 / 52	-20 / 52
	Heating	Min. / Max.	°C	-25 / 18	-25 / 18	-25 / 18	-25 / 18
INDOOR				UM36F N20	UM42F N20	UM48F N30	UM60F N30
Power Supply			Ø / V / Hz	1 / 220-240 / 50	1 / 220-240 / 50	1 / 220-240 / 50	1 / 220-240 / 50
Power Input (IDU)		H / M / L	W	183 / 134 / 101	266 / 200 / 145	242 / 159 / 124	342 / 287 / 242
Air Flow Rate		H / M / L	m³/min	32 / 28 / 24	38 / 33 / 28	40 / 34 / 28	50 / 45 / 40
Dimensions	Body	W x H x D	mm	1,250 x 270 x 700	1,250 x 270 x 700	1,250 x 360 x 700	1,250 x 360 x 700
Weight	Body		kg	38.5	38.5	43.5	43.5
Sound Pressure Level	Cooling	H / M / L	dB(A)	36 / 34 / 33	38 / 36 / 34	39 / 38 / 36	42 / 40 / 39
Sound Power Level	Cooling	Max.	dB(A)	60	62	65	66
Piping Connections	Drain (Natural Drainage)	O.D. / I.D.	mm	Ø25.4 / 19.4	Ø25.4 / 19.4	Ø25.4 / 19.4	Ø25.4 / 19.4
	Drain (Using Drain Pump)	O.D. / I.D.	mm	Ø32.0 / 26.0	Ø32.0 / 26.0	Ø32.0 / 26.0	Ø32.0 / 26.0
OUTDOOR				UUD3 U30			
Power Supply			Ø / V / Hz	3 / 380-415 / 50			
Circuit Breaker		Min.	A	20			
Power Supply Cable (Included Earth)			No x mm³	5C x 2.5			
Dimensions	Net	W x H x D	mm	950 x 1,380 x 330			
Weight	Net		kg	85			
Compressor	Type		-	Inverter Scroll			
	Type		-	R32			
Refrigerant	GWP (Global Warming Potential)		-	675			
	Precharged Amount		kg	3.0			
	t-CO ₂ eq		-	2.025			
	Additional Charge (After 7.5m)		g/m	40			
Fan	Air Flow Rate	Rated	m³/min x No.	55 x 2			
Total Piping Length		Min. / Max.	m	5 / 85			
Piping Elevation	IDU - ODU	Max.	m	30			

COMPACT INVERTER (R32)

LOW STATIC PRESSURE

- CL18F / CL24F



UUA1 ULO

UUB1 U20



LG participates in the ECP programme for EUROVENT AC program.
Check ongoing validity of certification
: www.eurovent-certification.com

COMBINATION				18	24
Capacity	Cooling	Min. / Rated / Max.	kW	1.8 / 4.7 / 5.1	2.7 / 6.8 / 7.5
	Heating	Min. / Rated / Max.	kW	2.1 / 5.2 / 5.7	3.0 / 7.5 / 8.6
Power Input (Set)	Cooling	Min. / Rated / Max.	kW	0.34 / 1.62 / 1.99	0.40 / 2.12 / 2.54
	Heating	Min. / Rated / Max.	kW	0.30 / 1.53 / 1.99	0.50 / 2.41 / 3.13
Running Current	Cooling	Rated	A	7.2	9.3
	Heating	Rated	A	6.8	10.5
EER / COP			kWh / kWh	2.90 / 3.40	3.21 / 3.11
SEER / SCOP			kWh / kWh	5.1 / 3.8	6.0 / 4.1
Pdesign	Cooling @ 35°C		kW	4.7	6.8
	Heating @ -10°C		kW	2.7	4.2
Seasonal Energy Label	Cooling / Heating		-	A / A	A+ / A+
Annual Energy Consumption	Cooling / Heating		kWh	323 / 995	397 / 1,434
Dehumidification Rate			l/h	1.5	2.4
ODU Sound Pressure Level	Cooling / Heating	Rated	dB(A)	49 / 52	48 / 53
ODU Sound Power Level	Cooling	Rated	dB(A)	65	65
Piping Connections	Liquid		mm (inch)	Ø6.35 (1/4)	Ø9.52 (3/8)
	Gas		mm (inch)	Ø12.7 (1/2)	Ø15.88 (5/8)
	Connections Method		-	Flared	Flared
Operation Range (Outdoor)	Cooling	Min. / Max.	°C	-10 / 50	-10 / 48
	Heating	Min. / Max.	°C	-10 / 18	-15 / 18
INDOOR				CL18F N60	CL24F N30
Power Supply			Ø / V / Hz	1 / 220-240 / 50	1 / 220-240 / 50
Power Input (IDU)		H / M / L	W	100 / 90 / 80	150 / 130 / 110
Air Flow Rate		H / M / L	m³/min	15 / 12 / 10	20 / 16 / 12
Dimensions	Body	W x H x D	mm	1,100 x 190 x 460	1,100 x 190 x 700
Weight	Body		kg	20.9	26
Sound Pressure Level	Cooling	H / M / L	dB(A)	34 / 31 / 29	39 / 35 / 32
Sound Power Level	Cooling	Max.	dB(A)	56	58
Piping Connections	Drain	O.D. / I.D.	mm	Ø32.0 / 26.0	Ø32.0 / 26.0
OUTDOOR				UUA1 ULO	UUB1 U20
Power Supply			Ø / V / Hz	1 / 220-240 / 50	1 / 220-240 / 50
Circuit Breaker		Min.	A	15	20
Power Supply Cable (Included Earth)			No x mm³	3C x 1.5	3C x 2.5
Dimensions	Net	W x H x D	mm	770 x 545 x 288	870 x 650 x 330
Weight	Net		kg	33.3	44.5
Compressor	Type		-	Twin Rotary	
	Type		-	R32	
Refrigerant	GWP (Global Warming Potential)		-	675	
	Precharged Amount		kg	1.0	
	t-CO ₂ eq		-	0.675	
	Additional Charge (After 7.5m)		g/m	20	
Fan	Air Flow Rate	Rated	m³/min x No.	28 x 1	50 x 1
Total Piping Length		Min. / Max.	m	5 / 30	5 / 35
Piping Elevation	IDU - ODU	Max.	m	30	30

COMPACT INVERTER (R32)

MID STATIC PRESSURE
- CM18F / CM24F / UM30F / UM36F



UUA1 ULO UUB1 U20 UUC1 U40



LG participates in the ECP programme for EUROVENT AC program.
Check ongoing validity of certification
: www.eurovent-certification.com

COMBINATION				18	24	30	36
Capacity	Cooling	Min. / Rated / Max.	kW	1.8 / 5.0 / 5.6	2.7 / 6.8 / 7.5	3.0 / 7.5 / 8.3	3.8 / 9.5 / 10.5
	Heating	Min. / Rated / Max.	kW	2.2 / 5.5 / 6.7	3.0 / 7.4 / 8.5	3.2 / 8.0 / 8.8	4.3 / 10.8 / 11.5
Power Input (Set)	Cooling	Min. / Rated / Max.	kW	0.35 / 1.67 / 1.92	0.50 / 2.34 / 2.81	0.50 / 2.57 / 3.08	0.60 / 3.16 / 3.86
	Heating	Min. / Rated / Max.	kW	0.32 / 1.57 / 1.77	0.40 / 2.17 / 2.82	0.50 / 2.25 / 2.93	0.60 / 3.03 / 3.48
Running Current	Cooling	Rated	A	7.4	10.3	11.0	14.0
	Heating	Rated	A	7.0	9.7	9.7	13.4
EER / COP			kWh / kWh	3.00 / 3.50	2.91 / 3.41	2.92 / 3.56	3.01 / 3.57
SEER / SCOP			kWh / kWh	6.1 / 3.8	5.8 / 4.1	5.6 / 3.9	5.9 / 4.0
Pdesign	Cooling @ 35°C		kW	5	6.8	7.5	9.5
	Heating @ -10°C		kW	2.8	4.1	4.3	5.5
Seasonal Energy Label	Cooling / Heating		-	A++ / A	A+ / A+	A+ / A	A+ / A+
Annual Energy Consumption	Cooling / Heating		kWh	287 / 1,032	410 / 1,400	469 / 1,544	564 / 1,924
Dehumidification Rate			l/h	1.2	2.5	2.6	3.2
ODU Sound Pressure Level	Cooling / Heating	Rated	dB(A)	49 / 52	48 / 53	50 / 54	54 / 56
ODU Sound Power Level	Cooling	Rated	dB(A)	65	65	67	70
Piping Connections	Liquid		mm (inch)	Ø6.35 (1/4)	Ø9.52 (3/8)	Ø9.52 (3/8)	Ø9.52 (3/8)
	Gas		mm (inch)	Ø12.7 (1/2)	Ø15.88 (5/8)	Ø15.88 (5/8)	Ø15.88 (5/8)
	Connections Method		-	Flared	Flared	Flared	Flared
	Operation Range (Outdoor)	Cooling	Min. / Max.	°C	-10 / 50	-10 / 48	-10 / 48
	Heating	Min. / Max.	°C	-10 / 18	-15 / 18	-15 / 18	-15 / 18
INDOOR				CM18F N10	CM24F N10	UM30F N10	UM36F N20
Power Supply			Ø / V / Hz	1 / 220-240 / 50	1 / 220-240 / 50	1 / 220-240 / 50	1 / 220-240 / 50
Power Input (IDU)		H / M / L	W	150 / 130 / 110	180 / 150 / 130	220 / 200 / 180	183 / 134 / 101
Air Flow Rate		H / M / L	m³/min	16.5 / 14.5 / 13	18 / 16.5 / 14.5	22 / 20 / 18	32 / 28 / 24
Dimensions	Body	W x H x D	mm	900 x 270 x 700	900 x 270 x 700	900 x 270 x 700	1,250 x 270 x 700
Weight	Body		kg	24.6	24.6	26.2	38.5
Sound Pressure Level	Cooling	H / M / L	dB(A)	34 / 32 / 30	35 / 34 / 32	37 / 35 / 34	36 / 34 / 33
Sound Power Level	Cooling	Max.	dB(A)	59	60	62	60
Piping Connections	Drain (Natural Drainage)	O.D. / I.D.	mm	Ø25.4 / 19.4	Ø25.4 / 19.4	Ø25.4 / 19.4	Ø25.4 / 19.4
	Drain (Using Drain Pump)	O.D. / I.D.	mm	Ø32.0 / 26.0	Ø32.0 / 26.0	Ø32.0 / 26.0	Ø32.0 / 26.0
OUTDOOR				UUA1 ULO	UUB1 U20	UUC1 U40	
Power Supply			Ø / V / Hz	1 / 220-240 / 50	1 / 220-240 / 50	1 / 220-240 / 50	
Circuit Breaker		Min.	A	15	20	25	
Power Supply Cable (Included Earth)			No x mm²	3C x 1.5	3C x 2.5	3C x 2.5	
Dimensions	Net	W x H x D	mm	770 x 545 x 288	870 x 650 x 330	950 x 834 x 330	
Weight	Net		kg	33.3	44.5	57.7	
Compressor	Type		-	Twin Rotary	Twin Rotary	Twin Rotary	
	Type		-	R32	R32	R32	
Refrigerant	GWP (Global Warming Potential)		-	675	675	675	
	Precharged Amount		kg	1	1.2	1.9	
	t-CO ₂ eq		-	0.675	0.81	1.283	
	Additional Charge (After 7.5m)		g/m	20	40	40	
Fan	Air Flow Rate	Rated	m³/min x No.	28 x 1	50 x 1	58 x 1	
Total Piping Length		Min. / Max.	m	5 / 30	5 / 35	5 / 50	
Piping Elevation	IDU - ODU	Max.	m	30	30	30	

STANDARD INVERTER (R410A)

HIGH STATIC PRESSURE
- UB70 / UB85



UU70W UU85W



LG participates in the ECP programme for EUROVENT AC program.
Check ongoing validity of certification
: www.eurovent-certification.com

INDOOR				UB70 N95	UB85 N95
Capacity	Cooling	Min. / Nom. / Max.	kW	7.6 / 19.0 / 20.9	9.2 / 23.0 / 25.3
	Heating	Min. / Nom. / Max.	kW	9.0 / 22.4 / 24.6	10.8 / 27.0 / 29.7
Low Temperature Capacity	Heating -7°C	Max.	kW	18.0	24.0
Power Input (Set)	Cooling	Nom.	kW	6.69	8.19
	Heating	Nom.	kW	6.4	8.31
Power Input (Indoor)		Min. / Max. (Nom ESP)	W	550 / 760	610 / 920
Running Current	Cooling / Heating	Nom.	A	11.5 / 10.7	13.5 / 13.6
Power Supply			Ø / V / Hz	1 / 220-240 / 50	1 / 220-240 / 50
EER				2.84	2.81
COP				3.50	3.25
SEER				4.90	4.80
SCOP				3.53	3.51
Pdesign (@ -10°C)			kW	13.4	18.5
Seasonal Energy Label	Cooling / Heating		-	-	-
Annual Energy Consumption	Cooling / Heating		kWh	-	-
Piping Connection	Liquid		mm (inch)	Ø9.52 (3/8)	Ø12.7 (1/2)
	Gas		mm (inch)	Ø25.4 (1/1)	Ø22.2 (7/8)
	Drain	O.D. / I.D.	mm	32 / 25	32 / 25
Air Flow Rate		High / Medium / Low	m³/min	70.0 / 65.0 / 60.0	80.0 / 72.0 / 64.0
Sound Pressure	Cooling	High / Medium / Low	dB(A)	43 / 41 / 40	43 / 41 / 40
Sound Power	Cooling	Max.	dB(A)	73	75
Dehumidification Rate			l/h	1.81 (4.2)	5.14 (11.9)
Dimensions	Body	W x H x D	mm	1,563 x 460 x 688	1,563 x 460 x 688
Net Weight	Body		kg	90.0	90.0
External Static Pressure		Min. / Max.	mmAq(Pa)	6 / 25 (60 / 250)	6 / 25 (60 / 250)
OUTDOOR				UU70W U34	UU85W U74
Compressor	Type			Hermetically Sealed Scroll	Hermetically Sealed Scroll
Airflow Rate		Nom.	m³/min	110	190
Sound Pressure	Cooling	Nom.	dB(A)	55	59
	Heating	Nom.	dB(A)	58	60
Sound Power	Cooling	Max.	dB(A)	75	75
Dimensions	W x H x D		mm	950 x 1,380 x 330	1,090 x 1,625 x 380
Net Weight			kg	110	144.0
Refrigerant	Type		-	R410A	R410A
	Charge		g	5,200	5,500
	Additional Charge		g/m	70	70
	GWP		-	2087.5	2087.5
Operation Range (Outdoor)	TCO ₂ eq		-	10.9	11.5
	Cooling	Min. / Max.	°C DB	-20 / 48	-20 / 48
	Heating	Min. / Max.	°C WB	-18 / 18	-18 / 18
Power Supply			Ø / V / Hz	3 / 380-415 / 50	3 / 380-415 / 50
Power Supply Cable			No. x mm²	5C x 2.5	5C x 2.5
Transmission Cable			No. x mm²	4C x 1.0	4C x 1.0
Circuit Breaker			A	30	30
Piping Length Total		Min. / Max.	m	5 / 75	5 / 75
Piping Elevation Difference	IDU - ODU	Max.	m	30	30
Piping Connection	Liquid		mm (inch)	Ø9.53 (3/8)	Ø12.7 (1/2)
	Gas		mm (inch)	Ø25.4 (1/1)	Ø22.2 (7/8)

Note :

- Due to our policy of innovation some specifications may be changed without notification.
- Performances are based on the following conditions (It is accordance with EN14511)
 - Cooling : Indoor Ambient Temp 27°C DB / 19°C WB, Outdoor Ambient Temp 35°C DB / 24°C WB
 - Heating : Indoor Ambient Temp 20°C DB / 15°C WB, Outdoor Ambient Temp 7°C DB / 6°C WB
 - Interconnected Pipe is standard length and difference of Elevation (Outdoor - Indoor Unit) is 0m.
- Sound Level Values are measured at Noise Measuring chamber accordance with standard. Therefore, these values depend on the ambient conditions and values are normally higher in actual operation.
- This product contains fluorinated greenhouse gases. (R410A)

CEILING SUSPENDED



Differentiated Design

Acknowledged by iF Design Award, the modem's V-shape elegant design with a black vane is appropriate for any commercial space.



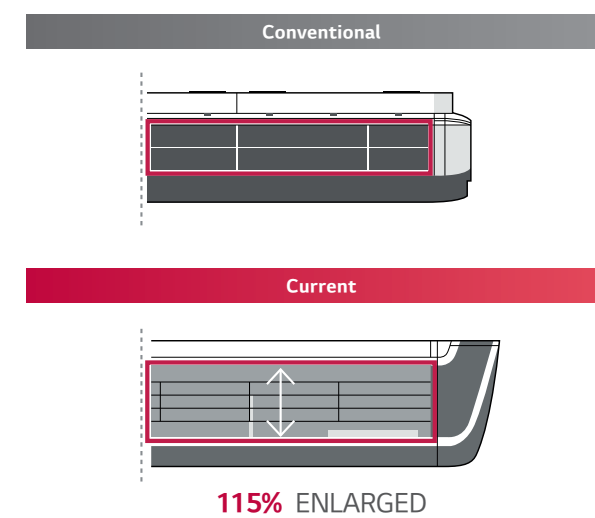
Powerful Cooling & Heating

High ceiling mode provides powerful cooling and heating up to 4.2m in height from floor, 15m away from ceiling.

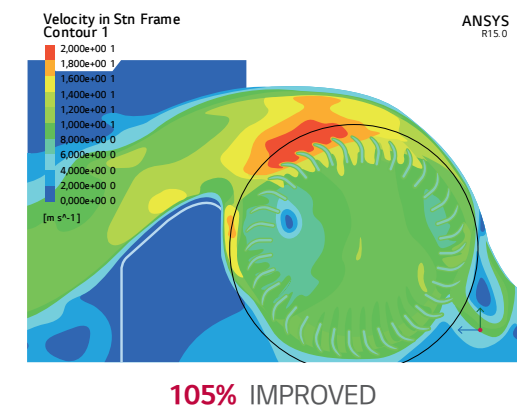


Airflow path and improved heat exchanger's performance.

Outlet Space

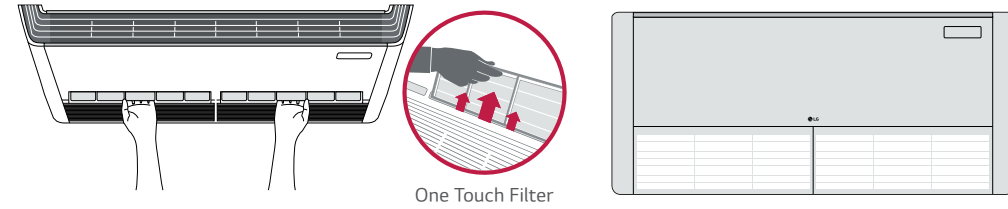


Optimized the Airflow Path



One Touch & 2 Piece Filter

Easy in / out filter structure as well as a simplified two-piece filter, which slides out for easy cleaning and maintenance.



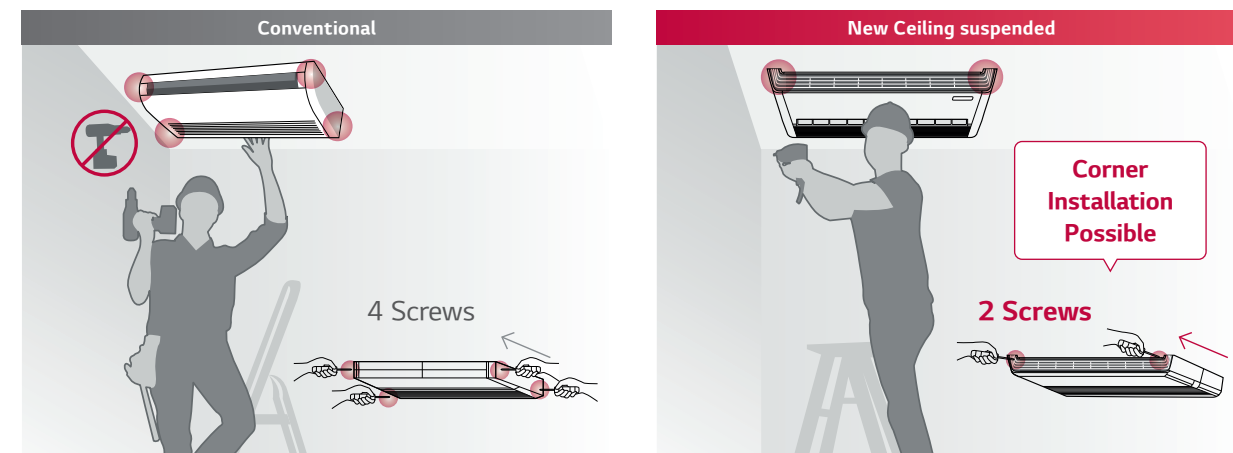
Two Thermistors Control

Users can purchase a wired remote controller that includes a second thermistor, allowing for temperature checks from multiple locations.



Installation

Installation speed and ease is improved by reducing the total number of screws used and placing the screws on the easily accessible front panel.



H-INVERTER (R32)

UV18FH / UV24FH / UV30FH

UUB1 U20

UUC1 U40



LG participates in the ECP programme for EUROVENT AC program. Check ongoing validity of certification : www.eurovent-certification.com

COMBINATION				18	24	30
Capacity	Cooling	Min. / Rated / Max.	kW	2.0 / 5.0 / 6.0	2.7 / 6.8 / 8.3	3.2 / 8.0 / 9.5
	Heating	Min. / Rated / Max.	kW	2.3 / 5.8 / 7.0	3.0 / 7.5 / 9.4	3.6 / 8.9 / 10.6
Power Input (Set)	Cooling	Min. / Rated / Max.	kW	0.30 / 1.28 / 1.73	0.40 / 1.80 / 2.50	0.50 / 2.35 / 3.13
	Heating	Min. / Rated / Max.	kW	0.30 / 1.56 / 2.13	0.40 / 1.82 / 2.62	0.50 / 2.39 / 3.27
Running Current	Cooling	Rated	A	7.3	8	10.4
	Heating	Rated	A	8	8.1	10.6
EER / COP			kWh / kWh	3.90 / 3.71	3.77 / 4.11	3.41 / 3.72
SEER / SCOP			kWh / kWh	7.6 / 4.4	7.9 / 4.6	7.2 / 4.6
Pdesign	Cooling @ 35°C		kW	5	6.8	8
	Heating @ -10°C		kW	4.3	5.4	5.4
Seasonal Energy Label	Cooling / Heating			A++ / A+	A++ / A++	A++ / A++
Annual Energy Consumption	Cooling / Heating		kWh	230 / 1,368	301 / 1,644	389 / 1,644
Dehumidification Rate			l/h	1.9	2.0	2.8
ODU Sound Pressure Level	Cooling / Heating	Rated	dB(A)	47 / 52	48 / 52	50 / 52
ODU Sound Power Level	Cooling	Rated	dB(A)	63	65	68
Piping Connections	Liquid		mm (inch)	Ø6.35 (1/4)	Ø9.52 (3/8)	Ø9.52 (3/8)
	Gas		mm (inch)	Ø12.7 (1/2)	Ø15.88 (5/8)	Ø15.88 (5/8)
Connections Method				Flared	Flared	Flared
Operation Range (Outdoor)	Cooling	Min. / Max.	°C	-15 / 50	-20 / 50	-20 / 50
	Heating	Min. / Max.	°C	-20 / 18	-20 / 18	-20 / 18
INDOOR				UV18FH N10	UV24FH N20	UV30FH N20
Power Supply			Ø / V / Hz	1 / 220-240 / 50	1 / 220-240 / 50	1 / 220-240 / 50
Power Input (IDU)		H / M / L	W	17 / 15 / 13	35 / 32 / 27	35 / 32 / 27
Air Flow Rate		H / M / L	m³/min	12.5 / 11 / 10	23 / 21 / 19	23 / 21 / 19
Dimensions	Body	W x H x D	mm	1,200 x 235 x 690	1,600 x 235 x 690	1,600 x 235 x 690
	Body		kg	28.7	37.4	37.4
Sound Pressure Level	Cooling	H / M / L	dB (A)	41 / 39 / 38	43 / 42 / 40	43 / 42 / 40
Sound Power Level	Cooling	Max.	dB (A)	55	60	60
Piping Connections	Drain (Natural Drainage)	O.D. / I.D.	mm	Ø25.0 / 20.5	Ø25.0 / 20.5	Ø25.0 / 20.5
	Drain (Using Drain Pump)	O.D. / I.D.	mm	Ø32.0 / 26.0	Ø32.0 / 26.0	Ø32.0 / 26.0
OUTDOOR				UUB1 U20	UUC1 U40	
Power Supply			Ø / V / Hz	1 / 220-240 / 50	1 / 220-240 / 50	
Circuit Breaker		Min.	A	20	25	
Power Supply Cable (Included Earth)			No x mm³	3C x 2.5	3C x 2.5	
Dimensions	Net	W x H x D	mm	870 x 650 x 330	950 x 834 x 330	
Weight	Net		kg	44.5	57.7	
Compressor	Type			Twin Rotary	Twin Rotary	
	Type			R32	R32	
Refrigerant	GWP (Global Warming Potential)			675	675	
	Precharged Amount		kg	1.2	1.9	
	t-CO ₂ eq			0.81	1.283	
	Additional Charge (After 7.5m)		g/m	20	40	
Fan	Air Flow Rate	Rated	m³/min x No.	50 x 1	58 x 1	
Total Piping Length		Min. / Max.	m	5 / 30	5 / 50	
Piping Elevation	IDU - ODU	Max.	m	30	30	

Note :

- Due to our policy of innovation some specifications may be changed without notification.
- Performances are based on the following conditions (It is accordance with EN14511)
 - Cooling : Indoor Ambient Temp 27°C DB / 19°C WB, Outdoor Ambient Temp 35°C DB / 24°C WB
 - Heating : Indoor Ambient Temp 20°C DB / 15°C WB, Outdoor Ambient Temp 7°C DB / 6°C WB
 - Interconnected Pipe is standard length and difference of Elevation (Outdoor - Indoor Unit) is 0m.
- Sound Level Values are measured at Noise Measuring chamber accordance with standard. Therefore, these values depend on the ambient conditions and values are normally higher in actual operation.
- This product contains fluorinated greenhouse gases. (R32)

H-INVERTER (R32)

UV36FH / UV42FH



LG participates in the ECP programme for EUROVENT AC program. Check ongoing validity of certification : www.eurovent-certification.com

UUD1 U30



COMBINATION				36	42
Capacity	Cooling	Min. / Rated / Max.	kW	3.8 / 9.5 / 12.8	4.8 / 12.1 / 14.5
	Heating	Min. / Rated / Max.	kW	4.3 / 10.8 / 13.7	5.4 / 13.5 / 16.2
Power Input (Set)	Cooling	Min. / Rated / Max.	kW	0.5 / 2.50 / 3.75	0.7 / 3.64 / 4.91
	Heating	Min. / Rated / Max.	kW	0.5 / 2.54 / 3.56	0.8 / 3.75 / 4.88
Running Current	Cooling	Rated	A	11.1	16
	Heating	Rated	A	11.4	16.5
EER / COP			kWh / kWh	3.80 / 4.25	3.32 / 3.60
SEER / SCOP			kWh / kWh	6.70 / 4.30	6.60 / 4.30
Pdesign	Cooling @ 35°C		kW	9.5	12.1
	Heating @ -10°C		kW	9.5	9.5
Seasonal Energy Label	Cooling / Heating		-	A++ / A+	- / -
Annual Energy Consumption	Cooling / Heating		kWh	496 / 3,093	1,100 / 3,093
Dehumidification Rate			l/h	3.6	5.52
ODU Sound Pressure Level	Cooling / Heating	Rated	dB(A)	50 / 50	51 / 52
ODU Sound Power Level	Cooling	Rated	dB(A)	66	69
Piping Connections	Liquid		mm (inch)	Ø9.52 (3/8)	Ø9.52 (3/8)
	Gas		mm (inch)	Ø15.88 (5/8)	Ø15.88 (5/8)
Connections Method			-	Flared	Flared
Operation Range (Outdoor)	Cooling	Min. / Max.	°C	-20 / 52	-20 / 52
	Heating	Min. / Max.	°C	-25 / 18	-25 / 18
INDOOR				UV36FH N20	UV42FH N20
Power Supply			Ø / V / Hz	1 / 220-240 / 50	1 / 220-240 / 50
Power Input (IDU)		H / M / L	W	59 / 40 / 28	59 / 40 / 28
Air Flow Rate		H / M / L	m³/min	30 / 25 / 20	30 / 25 / 20
Dimensions	Body	W x H x D	mm	1,600 x 235 x 690	1,600 x 235 x 690
	Body		kg	37.4	37.4
Sound Pressure Level	Cooling	H / M / L	dB (A)	48 / 44 / 40	48 / 44 / 40
Sound Power Level	Cooling	Max.	dB (A)	62	62
Piping Connections	Drain (Natural Drainage)	O.D. / I.D.	mm	Ø25.0 / 20.5	Ø25.0 / 20.5
	Drain (Using Drain Pump)	O.D. / I.D.	mm	Ø32.0 / 26.0	Ø32.0 / 26.0
OUTDOOR				UUD1 U30	
Power Supply			Ø / V / Hz	1 / 220-240 / 50	
Circuit Breaker		Min.	A	40	
Power Supply Cable (Included Earth)			No x mm³	3C x 6.0	
Dimensions	Net	W x H x D	mm	950 x 1,380 x 330	
Weight	Net		kg	85	
Compressor	Type		-	Inverter Scroll	
	Type		-	R32	
Refrigerant	GWP (Global Warming Potential)		-	675	
	Precharged Amount		kg	3.0	
	t-CO ₂ eq		-	2.025	
	Additional Charge (After 7.5m)		g/m	40	
Fan	Air Flow Rate	Rated	m³/min x No.	55 x 2	
Total Piping Length		Min. / Max.	m	5 / 85	
Piping Elevation	IDU - ODU	Max.	m	30	

Note :

- Due to our policy of innovation some specifications may be changed without notification.
- Performances are based on the following conditions (It is accordance with EN14511)
 - Cooling : Indoor Ambient Temp 27°C DB / 19°C WB, Outdoor Ambient Temp 35°C DB / 24°C WB
 - Heating : Indoor Ambient Temp 20°C DB / 15°C WB, Outdoor Ambient Temp 7°C DB / 6°C WB
 - Interconnected Pipe is standard length and difference of Elevation (Outdoor - Indoor Unit) is 0m.
- Sound Level Values are measured at Noise Measuring chamber accordance with standard. Therefore, these values depend on the ambient conditions and values are normally higher in actual operation.
- This product contains fluorinated greenhouse gases. (R32)

H-INVERTER (R32)

UV36FH / UV42FH



LG participates in the ECP programme for EUROVENT AC program. Check ongoing validity of certification : www.eurovent-certification.com

UUD3 U30



COMBINATION				36	42
Capacity	Cooling	Min. / Rated / Max.	kW	3.8 / 9.5 / 12.8	4.8 / 12.1 / 14.5
	Heating	Min. / Rated / Max.	kW	4.3 / 10.8 / 13.7	5.4 / 13.5 / 16.2
Power Input (Set)	Cooling	Min. / Rated / Max.	kW	0.50 / 2.50 / 3.75	0.70 / 3.64 / 4.91
	Heating	Min. / Rated / Max.	kW	0.50 / 2.54 / 3.56	0.80 / 3.75 / 4.88
Running Current	Cooling	Rated	A	4.0	5.7
	Heating	Rated	A	4.1	5.9
EER / COP			kWh / kWh	3.80 / 4.25	3.32 / 3.60
SEER / SCOP			kWh / kWh	6.7 / 4.3	6.6 / 4.3
Pdesign	Cooling @ 35°C		kW	9.5	12.1
	Heating @ -10°C		kW	9.5	9.5
Seasonal Energy Label	Cooling / Heating		-	A++ / A+	- / -
Annual Energy Consumption	Cooling / Heating		kWh	496 / 3,093	1,100 / 3,093
Dehumidification Rate			l/h	3.6	5.5
ODU Sound Pressure Level	Cooling / Heating	Rated	dB(A)	50 / 50	51 / 52
ODU Sound Power Level	Cooling	Rated	dB(A)	66	69
Piping Connections	Liquid		mm (inch)	Ø9.52 (3/8)	Ø9.52 (3/8)
	Gas		mm (inch)	Ø15.88 (5/8)	Ø15.88 (5/8)
Connections Method			-	Flared	Flared
Operation Range (Outdoor)	Cooling	Min. / Max.	°C	-20 / 52	-20 / 52
	Heating	Min. / Max.	°C	-25 / 18	-25 / 18
INDOOR				UV36FH N20	UV42FH N20
Power Supply			Ø / V / Hz	1 / 220-240 / 50	1 / 220-240 / 50
Power Input (IDU)		H / M / L	W	59 / 40 / 28	59 / 40 / 28
Air Flow Rate		H / M / L	m³/min	30 / 25 / 20	30 / 25 / 20
Dimensions	Body	W x H x D	mm	1,600 x 235 x 690	1,600 x 235 x 690
	Body		kg	37.4	37.4
Sound Pressure Level	Cooling	H / M / L	dB (A)	48 / 44 / 40	48 / 44 / 40
Sound Power Level	Cooling	Max.	dB (A)	62	62
Piping Connections	Drain (Natural Drainage)	O.D. / I.D.	mm	Ø25.0 / 20.5	Ø25.0 / 20.5
	Drain (Using Drain Pump)	O.D. / I.D.	mm	Ø32.0 / 26.0	Ø32.0 / 26.0
OUTDOOR				UUD3 U30	
Power Supply			Ø / V / Hz	3 / 380-415 / 50	
Circuit Breaker		Min.	A	20	
Power Supply Cable (Included Earth)			No x mm³	5C x 2.5	
Dimensions	Net	W x H x D	mm	950 x 1,380 x 330	
Weight	Net		kg	85	
Compressor	Type		-	Inverter Scroll	
	Type		-	R32	
Refrigerant	GWP (Global Warming Potential)		-	675	
	Precharged Amount		kg	3.0	
	t-CO ₂ eq		-	2.025	
	Additional Charge (After 7.5m)		g/m	40	
Fan	Air Flow Rate	Rated	m³/min x No.	55 x 2	
Total Piping Length		Min. / Max.	m	5 / 85	
Piping Elevation	IDU - ODU	Max.	m	30	

Note :

- Due to our policy of innovation some specifications may be changed without notification.
- Performances are based on the following conditions (It is accordance with EN14511)
 - Cooling : Indoor Ambient Temp 27°C DB / 19°C WB, Outdoor Ambient Temp 35°C DB / 24°C WB
 - Heating : Indoor Ambient Temp 20°C DB / 15°C WB, Outdoor Ambient Temp 7°C DB / 6°C WB
 - Interconnected Pipe is standard length and difference of Elevation (Outdoor - Indoor Unit) is 0m.
- Sound Level Values are measured at Noise Measuring chamber accordance with standard. Therefore, these values depend on the ambient conditions and values are normally higher in actual operation.
- This product contains fluorinated greenhouse gases (R32)

STANDARD INVERTER (R32)

UV18F / UV24F / UV30F



LG participates in the ECP programme for EUROVENT AC program. Check ongoing validity of certification : www.eurovent-certification.com

UUB1 U20 UUC1 U40



COMBINATION				18	24	30
Capacity	Cooling	Min. / Rated / Max.	kW	2.0 / 5.0 / 5.8	2.7 / 6.7 / 8.0	3.1 / 7.7 / 8.8
	Heating	Min. / Rated / Max.	kW	2.3 / 5.8 / 6.7	3.0 / 7.5 / 9.0	3.4 / 8.6 / 9.6
Power Input (Set)	Cooling	Min. / Rated / Max.	kW	0.30 / 1.33 / 1.86	0.40 / 1.99 / 2.69	0.50 / 2.25 / 3.08
	Heating	Min. / Rated / Max.	kW	0.40 / 1.76 / 2.46	0.40 / 2.2 / 3.08	0.50 / 2.5 / 3.20
Running Current	Cooling	Rated	A	7.5	8.8	10.0
	Heating	Rated	A	8.3	9.8	11.1
EER / COP			kWh / kWh	3.75 / 3.29	3.37 / 3.41	3.42 / 3.44
SEER / SCOP			kWh / kWh	6.6 / 4.3	7.2 / 4.2	6.8 / 4.4
Pdesign	Cooling @ 35°C		kW	5	6.7	7.7
	Heating @ -10°C		kW	4.2	4.9	5.4
Seasonal Energy Label	Cooling / Heating		-	A++ / A+	A++ / A+	A++ / A+
Annual Energy Consumption	Cooling / Heating		kWh	265 / 1,368	326 / 1,633	396 / 1,718
Dehumidification Rate			l/h	1.8	2.7	3.0
ODU Sound Pressure Level	Cooling / Heating	Rated	dB(A)	47 / 52	48 / 52	50 / 52
ODU Sound Power Level	Cooling	Rated	dB(A)	63	65	68
Piping Connections	Liquid		mm (inch)	Ø6.35 (1/4)	Ø9.52 (3/8)	Ø9.52 (3/8)
	Gas		mm (inch)	Ø12.7 (1/2)	Ø15.88 (5/8)	Ø15.88 (5/8)
Connections Method			-	Flared	Flared	Flared
Operation Range (Outdoor)	Cooling	Min. / Max.	°C	-15 / 50	-20 / 50	-20 / 50
	Heating	Min. / Max.	°C	-20 / 18	-20 / 18	-20 / 18
INDOOR				UV18F N10	UV24F N10	UV30F N10
Power Supply			Ø / V / Hz	1 / 220-240 / 50	1 / 220-240 / 50	1 / 220-240 / 50
Power Input (IDU)		H / M / L	W	17 / 15 / 13	33 / 26 / 19	47 / 40 / 33
Air Flow Rate		H / M / L	m³/min	13 / 12 / 11	16 / 15 / 14	19 / 17.5 / 16
Dimensions	Body	W x H x D	mm	1,200 x 235 x 690	1,200 x 235 x 690	1,200 x 235 x 690
Weight	Body		kg	27.3	28	28
Sound Pressure Level	Cooling	H / M / L	dB (A)	42 / 40 / 39	46 / 45 / 43	46 / 44 / 43
Sound Power Level	Cooling	Max	dB (A)	55	61	62
Piping Connections	Drain (Natural Drainage)	O.D. / I.D.	mm	Ø25.0 / 20.5	Ø25.0 / 20.5	Ø25.0 / 20.5
	Drain (Using Drain Pump)	O.D. / I.D.	mm	Ø32.0 / 26.0	Ø32.0 / 26.0	Ø32.0 / 26.0
OUTDOOR				UUB1 U20	UUC1 U40	
Power Supply			Ø / V / Hz	1 / 220-240 / 50	1 / 220-240 / 50	
Circuit Breaker		Min	A	20	25	
Power Supply Cable (Included Earth)			No x mm³	3C x 2.5	3C x 2.5	
Dimensions	Net	W x H x D	mm	870 x 650 x 330	950 x 834 x 330	
Weight	Net		kg	44.5	57.7	
Compressor	Type		-	Twin Rotary	Twin Rotary	
	Type		-	R32	R32	
Refrigerant	GWP (Global Warming Potential)		-	675	675	
	Precharged Amount		kg	1.2	1.9	
	t-CO ₂ eq		-	0.81	1.283	
	Additional Charge (After 7.5m)		g/m	20	40	
Fan	Air Flow Rate	Rated	m³/min x No.	50 x 1	58 x 1	
Total Piping Length		Min. / Max.	m	5 / 30	5 / 50	
Piping Elevation	IDU - ODU	Max	m	30	30	

Note :

- Due to our policy of innovation some specifications may be changed without notification.
- Performances are based on the following conditions (It is accordance with EN14511)
 - Cooling : Indoor Ambient Temp 27°C DB / 19°C WB, Outdoor Ambient Temp 35°C DB / 24°C WB
 - Heating : Indoor Ambient Temp 20°C DB / 15°C WB, Outdoor Ambient Temp 7°C DB / 6°C WB
 - Interconnected Pipe is standard length and difference of Elevation (Outdoor - Indoor Unit) is 0m.
- Sound Level Values are measured at Noise Measuring chamber accordance with standard. Therefore, these values depend on the ambient conditions and values are normally higher in actual operation
- This product contains fluorinated greenhouse gases (R32)

STANDARD INVERTER (R32)

UV36F / UV42F / UV48F / UV60F



LG participates in the ECP programme for EUROVENT AC program. Check ongoing validity of certification : www.eurovent-certification.com

UUD1 U30



COMBINATION				36	42	48	60
Capacity	Cooling	Min. / Rated / Max.	kW	3.8 / 9.5 / 12.5	4.8 / 12.1 / 14.2	5.4 / 13.4 / 15.7	5.8 / 14.4 / 15.6
	Heating	Min. / Rated / Max.	kW	4.3 / 10.8 / 13.4	5.4 / 13.5 / 15.8	6.2 / 15.5 / 17.5	6.7 / 16.8 / 18.1
Power Input (Set)	Cooling	Min. / Rated / Max.	kW	0.50 / 2.65 / 4.03	0.80 / 3.90 / 5.07	0.90 / 4.50 / 5.85	1.10 / 5.33 / 5.97
	Heating	Min. / Rated / Max.	kW	0.50 / 2.60 / 3.54	0.80 / 3.75 / 4.88	0.90 / 4.77 / 5.82	1.10 / 5.60 / 6.44
Running Current	Cooling	Rated	A	11.7	17.0	19.7	23.6
	Heating	Rated	A	11.4	16.5	20.6	24.6
EER / COP			kWh / kWh	3.59 / 4.15	3.10 / 3.60	2.98 / 3.25	2.70 / 3.00
SEER / SCOP			kWh / kWh	6.3 / 4.1	6.3 / 4.1	5.9 / 4.1	5.7 / 4.1
Pdesign	Cooling @ 35°C		kW	9.5	12.1	13.4	14.4
	Heating @ -10°C		kW	9.5	9.5	9.5	9.5
Seasonal Energy Label	Cooling / Heating		-	A++ / A+	- / -	- / -	- / -
Annual Energy Consumption	Cooling / Heating		kWh	528 / 3,244	1,152 / 3,244	1,363 / 3,244	1,516 / 3,244
Dehumidification Rate			l/h	3.6	5.5	6.3	7.1
ODU Sound Pressure Level	Cooling / Heating	Rated	dB(A)	50 / 50	51 / 52	52 / 53	54 / 54
ODU Sound Power Level	Cooling	Rated	dB(A)	66	69	69	71
Piping Connections	Liquid		mm (inch)	Ø9.52 (3/8)	Ø9.52 (3/8)	Ø9.52 (3/8)	Ø9.52 (3/8)
	Gas		mm (inch)	Ø15.88 (5/8)	Ø15.88 (5/8)	Ø15.88 (5/8)	Ø15.88 (5/8)
Connections Method			-	Flared	Flared	Flared	Flared
Operation Range (Outdoor)	Cooling	Min. / Max.	°C	-20 / 52	-20 / 52	-20 / 52	-20 / 52
	Heating	Min. / Max.	°C	-25 / 18	-25 / 18	-25 / 18	-25 / 18
INDOOR				UV36F N20	UV42F N20	UV48F N20	UV60F N20
Power Supply			Ø / V / Hz	1 / 220-240 / 50	1 / 220-240 / 50	1 / 220-240 / 50	1 / 220-240 / 50
Power Input (IDU)		H / M / L	W	50 / 35 / 28	50 / 35 / 28	59 / 40 / 28	59 / 40 / 28
Air Flow Rate		H / M / L	m³/min	28 / 24 / 20	28 / 24 / 20	30 / 25 / 20	30 / 25 / 20
Dimensions	Body	W x H x D	mm	1,600 x 235 x 690	1,600 x 235 x 690	1,600 x 235 x 690	1,600 x 235 x 690
Weight	Body		kg	36.7	36.7	36.7	36.7
Sound Pressure Level	Cooling	H / M / L	dB (A)	46 / 43 / 40	46 / 43 / 40	48 / 44 / 40	48 / 44 / 40
Sound Power Level	Cooling	Max	dB (A)	62	62	63	63
Piping Connections	Drain (Natural Drainage)	O.D. / I.D.	mm	Ø25.0 / 20.5	Ø25.0 / 20.5	Ø25.0 / 20.5	Ø25.0 / 20.5
	Drain (Using Drain Pump)	O.D. / I.D.	mm	Ø32.0 / 26.0	Ø32.0 / 26.0	Ø32.0 / 26.0	Ø32.0 / 26.0
OUTDOOR				UUD1 U30			
Power Supply			Ø / V / Hz	1 / 220-240 / 50			
Circuit Breaker		Min	A	40			
Power Supply Cable (Included Earth)			No x mm³	3C x 6.0			
Dimensions	Net	W x H x D	mm	950 x 1,380 x 330			
Weight	Net		kg	85			
Compressor	Type		-	Inverter Scroll			
	Type		-	R32			
Refrigerant	GWP (Global Warming Potential)		-	675			
	Precharged Amount		kg	3.0			
	t-CO ₂ eq		-	2.025			
	Additional Charge (After 7.5m)		g/m	40			
Fan	Air Flow Rate	Rated	m³/min x No.	55 x 2			
Total Piping Length		Min. / Max.	m	5 / 85			
Piping Elevation	IDU - ODU	Max	m	30			

Note :

- Due to our policy of innovation some specifications may be changed without notification.
- Performances are based on the following conditions (It is accordance with EN14511)
 - Cooling : Indoor Ambient Temp 27°C DB / 19°C WB, Outdoor Ambient Temp 35°C DB / 24°C WB
 - Heating : Indoor Ambient Temp 20°C DB / 15°C WB, Outdoor Ambient Temp 7°C DB / 6°C WB
 - Interconnected Pipe is standard length and difference of Elevation (Outdoor - Indoor Unit) is 0m.
- Sound Level Values are measured at Noise Measuring chamber accordance with standard. Therefore, these values depend on the ambient conditions and values are normally higher in actual operation
- This product contains fluorinated greenhouse gases (R32)

STANDARD INVERTER (R32)

UV36F / UV42F / UV48F / UV60F



LG participates in the ECP programme for EUROVENT AC program.
Check ongoing validity of certification
: www.eurovent-certification.com

UUD3 U30



COMBINATION				36	42	48	60
Capacity	Cooling	Min. / Rated / Max.	kW	38 / 9.5 / 12.5	48 / 12.1 / 14.2	5.4 / 13.4 / 15.7	5.8 / 14.4 / 15.6
	Heating	Min. / Rated / Max.	kW	4.3 / 10.8 / 13.4	5.4 / 13.5 / 15.8	6.2 / 15.5 / 17.5	6.7 / 16.8 / 18.1
Power Input (Set)	Cooling	Min. / Rated / Max.	kW	0.50 / 2.65 / 4.03	0.80 / 3.90 / 5.07	0.90 / 4.50 / 5.85	1.10 / 5.33 / 5.97
	Heating	Min. / Rated / Max.	kW	0.50 / 2.60 / 3.54	0.80 / 3.75 / 4.88	0.90 / 4.77 / 5.82	1.10 / 5.60 / 6.44
Running Current	Cooling	Rated	A	4.2	6.1	7.0	8.2
	Heating	Rated	A	4.1	5.9	7.3	8.5
EER / COP			kWh / kWh	3.59 / 4.15	3.10 / 3.60	2.98 / 3.25	2.70 / 3.00
SEER / SCOP			kWh / kWh	6.3 / 4.1	6.3 / 4.1	5.9 / 4.1	5.7 / 4.1
Pdesign	Cooling @ 35°C		kW	9.5	12.1	13.4	14.4
	Heating @ -10°C		kW	9.5	9.5	9.5	9.5
Seasonal Energy Label	Cooling / Heating		-	A++ / A+	- / -	- / -	- / -
Annual Energy Consumption	Cooling / Heating		kWh	528 / 3,244	1,152 / 3,244	1,363 / 3,244	1,516 / 3,244
Dehumidification Rate			l/h	3.6	5.5	6.3	7.1
ODU Sound Pressure Level	Cooling / Heating	Rated	dB(A)	50 / 50	51 / 52	52 / 53	54 / 54
ODU Sound Power Level	Cooling	Rated	dB(A)	66	69	69	71
Piping Connections	Liquid		mm (inch)	Ø9.52 (3/8)	Ø9.52 (3/8)	Ø9.52 (3/8)	Ø9.52 (3/8)
	Gas		mm (inch)	Ø15.88 (5/8)	Ø15.88 (5/8)	Ø15.88 (5/8)	Ø15.88 (5/8)
Connections Method			-	Flared	Flared	Flared	Flared
Operation Range (Outdoor)	Cooling	Min. / Max.	°C	-20 / 52	-20 / 52	-20 / 52	-20 / 52
	Heating	Min. / Max.	°C	-25 / 18	-25 / 18	-25 / 18	-25 / 18
INDOOR				UV36F N20	UV42F N20	UV48F N20	UV60F N20
Power Supply			Ø / V / Hz	1 / 220-240 / 50	1 / 220-240 / 50	1 / 220-240 / 50	1 / 220-240 / 50
Power Input (IDU)		H / M / L	W	50 / 35 / 28	50 / 35 / 28	59 / 40 / 28	59 / 40 / 28
Air Flow Rate		H / M / L	m³/min	28 / 24 / 20	28 / 24 / 20	30 / 25 / 20	30 / 25 / 20
Dimensions	Body	W x H x D	mm	1,600 x 235 x 690	1,600 x 235 x 690	1,600 x 235 x 690	1,600 x 235 x 690
Weight	Body		kg	36.7	36.7	36.7	36.7
Sound Pressure Level	Cooling	H / M / L	dB (A)	46 / 43 / 40	46 / 43 / 40	48 / 44 / 40	48 / 44 / 40
Sound Power Level	Cooling	Max.	dB (A)	62	62	63	63
Piping Connections	Drain (Natural Drainage)	O.D. / I.D.	mm	Ø25.0 / 20.5	Ø25.0 / 20.5	Ø25.0 / 20.5	Ø25.0 / 20.5
	Drain (Using Drain Pump)	O.D. / I.D.	mm	Ø32.0 / 26.0	Ø32.0 / 26.0	Ø32.0 / 26.0	Ø32.0 / 26.0
OUTDOOR				UUD3 U30			
Power Supply			Ø / V / Hz	3 / 380-415 / 50			
Circuit Breaker		Min.	A	20			
Power Supply Cable (Included Earth)			No x mm³	5C x 2.5			
Dimensions	Net	W x H x D	mm	950 x 1,380 x 330			
Weight	Net		kg	85			
Compressor	Type		-	Inverter Scroll			
	Type		-	R32			
Refrigerant	GWP (Global Warming Potential)		-	675			
	Precharged Amount		kg	3.0			
	t-CO ₂ eq		-	2.025			
	Additional Charge (After 7.5m)		g/m	40			
Fan	Air Flow Rate	Rated	m³/min x No.	55 x 2			
Total Piping Length		Min. / Max.	m	5 / 85			
Piping Elevation	IDU - ODU	Max.	m	30			

- Note :
- Due to our policy of innovation some specifications may be changed without notification.
 - Performances are based on the following conditions (It is accordance with EN14511)
 - Cooling : Indoor Ambient Temp 27°C DB / 19°C WB, Outdoor Ambient Temp 35°C DB / 24°C WB
 - Heating : Indoor Ambient Temp 20°C DB / 15°C WB, Outdoor Ambient Temp 7°C DB / 6°C WB
 - Interconnected Pipe is standard length and difference of Elevation (Outdoor - Indoor Unit) is 0m.
 - Sound Level Values are measured at Noise Measuring chamber accordance with standard. Therefore, these values depend on the ambient conditions and values are normally higher in actual operation
 - This product contains fluorinated greenhouse gases (R32)

COMPACT INVERTER (R32)

UV18F / UV24F / UV30F / UV36F



LG participates in the ECP programme for EUROVENT AC program.
Check ongoing validity of certification
: www.eurovent-certification.com

UUA1 ULO

UUB1 U20

UUC1 U40



COMBINATION				18	24	30	36
Capacity	Cooling	Min. / Rated / Max.	kW	1.8 / 5.0 / 5.5	2.7 / 6.8 / 7.5	3.0 / 7.5 / 8.3	3.8 / 9.5 / 10.5
	Heating	Min. / Rated / Max.	kW	2.2 / 5.3 / 5.8	2.9 / 7.3 / 8.4	3.2 / 8.0 / 8.8	4.1 / 10.3 / 11.5
Power Input (Set)	Cooling	Min. / Rated / Max.	kW	0.32 / 1.61 / 1.93	0.40 / 2.06 / 2.47	0.50 / 2.42 / 2.90	0.70 / 3.28 / 3.87
	Heating	Min. / Rated / Max.	kW	0.30 / 1.44 / 1.86	0.40 / 2.23 / 2.90	0.50 / 2.48 / 3.22	0.60 / 2.78 / 3.45
Running Current	Cooling	Rated	A	7.2	9.0	10.6	14.6
	Heating	Rated	A	6.4	9.7	10.8	12.3
EER / COP			kWh / kWh	3.10 / 3.70	3.30 / 3.28	3.10 / 3.23	2.90 / 3.70
SEER / SCOP			kWh / kWh	6.6 / 4.6	6.6 / 4.2	6.6 / 4.3	6.1 / 4.2
Pdesign	Cooling @ 35°C		kW	5	6.8	7.5	9.5
	Heating @ -10°C		kW	2.9	4.3	4.4	5.5
Seasonal Energy Label	Cooling / Heating		-	A++ / A++	A++ / A+	A++ / A+	A++ / A+
Annual Energy Consumption	Cooling / Heating		kWh	265 / 883	361 / 1,433	398 / 1,433	545 / 1,833
Dehumidification Rate			l/h	1.7	2.4	2.8	3.6
ODU Sound Pressure Level	Cooling / Heating	Rated	dB(A)	49 / 52	48 / 53	50 / 54	54 / 56
ODU Sound Power Level	Cooling	Rated	dB(A)	65	65	67	70
Piping Connections	Liquid		mm (inch)	Ø6.35 (1/4)	Ø9.52 (3/8)	Ø9.52 (3/8)	Ø9.52 (3/8)
	Gas		mm (inch)	Ø12.7 (1/2)	Ø15.88 (5/8)	Ø15.88 (5/8)	Ø15.88 (5/8)
Connections Method			-	Flared	Flared	Flared	Flared
Operation Range (Outdoor)	Cooling	Min. / Max.	°C	-10 / 50	-10 / 48	-10 / 48	-20 / 50
	Heating	Min. / Max.	°C	-10 / 18	-15 / 18	-15 / 18	-15 / 18
INDOOR				UV18F N10	UV24F N10	UV30F N10	UV36F N20
Power Supply			Ø / V / Hz	1 / 220-240 / 50	1 / 220-240 / 50	1 / 220-240 / 50	1 / 220-240 / 50
Power Input (IDU)		H / M / L	W	17 / 15 / 13	33 / 26 / 19	47 / 40 / 33	50 / 35 / 28
Air Flow Rate		H / M / L	m³/min	13 / 12 / 11	16 / 15 / 14	19 / 17.5 / 16	28 / 24 / 20
Dimensions	Body	W x H x D	mm	1,200 x 235 x 690	1,200 x 235 x 690	1,200 x 235 x 690	1,600 x 235 x 690
Weight	Body		kg	27.3	28	28	36.7
Sound Pressure Level	Cooling	H / M / L	dB (A)	42 / 40 / 39	46 / 45 / 43	46 / 44 / 43	46 / 43 / 40
Sound Power Level	Cooling	Max.	dB (A)	55	61	62	62
Piping Connections	Drain (Natural Drainage)	O.D. / I.D.	mm	Ø25.0 / 20.5	Ø25.0 / 20.5	Ø25.0 / 20.5	Ø25.0 / 20.5
	Drain (Using Drain Pump)	O.D. / I.D.	mm	Ø32.0 / 26.0	Ø32.0 / 26.0	Ø32.0 / 26.0	Ø32.0 / 26.0
OUTDOOR				UUA1 ULO	UUB1 U20	UUC1 U40	
Power Supply			Ø / V / Hz	1 / 220-240 / 50	1 / 220-240 / 50	1 / 220-240 / 50	
Circuit Breaker		Min.	A	15	20	25	
Power Supply Cable (Included Earth)			No x mm³	3C x 1.5	3C x 2.5	3C x 2.5	
Dimensions	Net	W x H x D	mm	770 x 545 x 288	870 x 650 x 330	950 x 834 x 330	
Weight	Net		kg	33.3	44.5	57.7	
Compressor	Type		-	Twin Rotary	Twin Rotary	Twin Rotary	
	Type		-	R32	R32	R32	
Refrigerant	GWP (Global Warming Potential)		-	675	675	675	
	Precharged Amount		kg	1.0	1.2	1.9	
	t-CO ₂ eq		-	0.675	0.81	1.283	
	Additional Charge (After 7.5m)		g/m	20	40	40	
Fan	Air Flow Rate	Rated	m³/min x No.	28 x 1	50 x 1	58 x 1	
Total Piping Length		Min. / Max.	m	5 / 30	5 / 35	5 / 50	
Piping Elevation	IDU - ODU	Max.	m	30	30	30	

- Note :
- Due to our policy of innovation some specifications may be changed without notification.
 - Performances are based on the following conditions (It is accordance with EN14511)
 - Cooling : Indoor Ambient Temp 27°C DB / 19°C WB, Outdoor Ambient Temp 35°C DB / 24°C WB
 - Heating : Indoor Ambient Temp 20°C DB / 15°C WB, Outdoor Ambient Temp 7°C DB / 6°C WB
 - Interconnected Pipe is standard length and difference of Elevation (Outdoor - Indoor Unit) is 0m.
 - Sound Level Values are measured at Noise Measuring chamber accordance with standard. Therefore, these values depend on the ambient conditions and values are normally higher in actual operation.
 - This product contains fluorinated greenhouse gases. (R32)

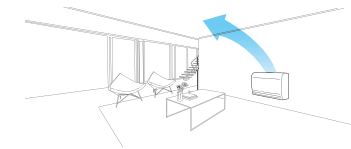
CONSOLE



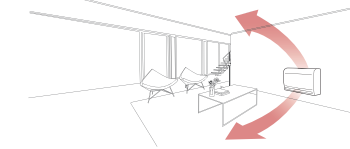
Optimized Air Flow for Cooling & Heating

During cooling operation, the vane adjusts upwards to direct the air flow toward the ceiling. During heating operation, the van directs the air flow toward the floor to balance out the room temperature. A wireless controller is included with the indoor console unit.

Cooling



Heating (Normal)



Heating (Floor Heating Mode)



Quick Floor Heating

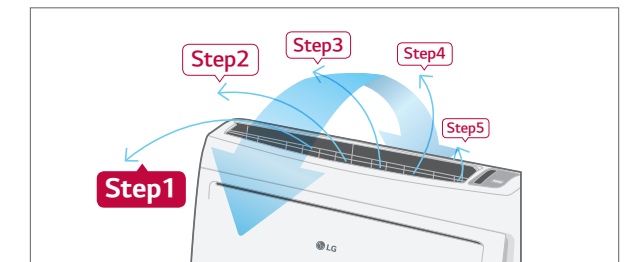
Console air conditioners portray high speed and powerful performance. Using the floor heating mode, console air conditioners provide floor heating at a faster pace in order to reach desired temperature more quickly.

	Company A	Electric Heater	LG	LG Floor Heating Mode
27°C				
15°C				
Lead Time for Heating (13°C - 21°C)	12 minutes 30 seconds	50 minutes	9 minutes 30 seconds	8 minutes 40 seconds

※ Test Condition : Target Temp 23°C, Indoor Room : 13°C-, Outdoor Room : 7°C

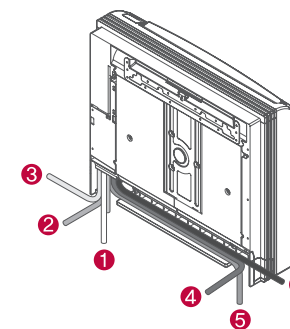
5-Step Vane Control

There are 5 different stages to control the air flow direction

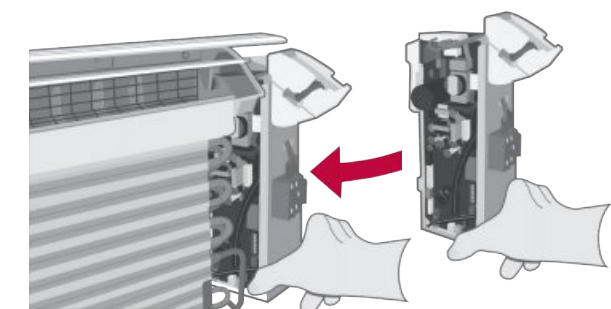


Easy Installation and Service

6 Different Ways to Install Piping



Easy Slide-type PCB



STANDARD INVERTER (R32)

UQ09F / UQ12F / UQ18F



UUA1 ULO UUB1 U20



LG participates in the ECP programme for EUROVENT AC program.
Check ongoing validity of certification
: www.eurovent-certification.com

COMBINATION				9	12	18
Capacity	Cooling	Min. / Rated / Max.	kW	1.5 / 2.6 / 3.4	1.5 / 3.5 / 4.0	2.0 / 5.0 / 5.8
	Heating	Min. / Rated / Max.	kW	1.6 / 3.1 / 3.9	1.6 / 4.0 / 4.3	2.0 / 4.9 / 5.4
Power Input (Set)	Cooling	Min. / Rated / Max.	kW	0.30 / 0.65 / 0.91	0.30 / 1.00 / 1.46	0.40 / 1.75 / 2.45
	Heating	Min. / Rated / Max.	kW	0.30 / 0.74 / 1.08	0.30 / 1.05 / 1.58	0.30 / 1.56 / 2.11
Running Current	Cooling	Rated	A	2.9	4.4	8.3
	Heating	Rated	A	3.3	4.7	8.0
EER / COP			kWh / kWh	4.00 / 4.20	3.50 / 3.80	2.85 / 3.14
SEER / SCOP			kWh / kWh	6.5 / 4.0	6.4 / 4.0	5.8 / 3.8
Pdesign	Cooling @ 35°C		kW	2.6	3.5	5
	Heating @ -10°C		kW	2.8	3	3.8
Seasonal Energy Label	Cooling / Heating		-	A++ / A+	A++ / A+	A+ / A
Annual Energy Consumption	Cooling / Heating		kWh	140 / 980	191 / 1,050	302 / 1,396
Dehumidification Rate			l/h	0.7	1.3	2.4
ODU Sound Pressure Level	Cooling / Heating	Rated	dB(A)	49 / 52	49 / 52	47 / 52
ODU Sound Power Level	Cooling	Rated	dB(A)	65	65	63
Piping Connections	Liquid		mm (inch)	Ø6.35 (1/4)	Ø6.35 (1/4)	Ø6.35 (1/4)
	Gas		mm (inch)	Ø9.52 (3/8)	Ø9.52 (3/8)	Ø12.7 (1/2)
	Connections Method		-	Flared	Flared	Flared
Operation Range (Outdoor)	Cooling	Min. / Max.	°C	-15 / 50	-15 / 50	-15 / 50
	Heating	Min. / Max.	°C	-20 / 18	-20 / 18	-20 / 18
INDOOR				UQ09F NAO	UQ12F NAO	UQ18F NAO
Power Supply			Ø / V / Hz	1 / 220-240 / 50	1 / 220-240 / 50	1 / 220-240 / 50
Power Input (IDU)		H / M / L	W	37 / 30 / 25	37 / 30 / 25	44 / 39 / 35
Air Flow Rate		H / M / L	m³/min	8.5 / 6.7 / 5.0	8.5 / 6.7 / 5.0	10.1 / 8.6 / 7.2
Dimensions	Body	W x H x D	mm	700 x 600 x 210	700 x 600 x 210	700 x 600 x 210
Weight	Body		kg	16.3	16.3	16.3
Sound Pressure Level	Cooling	H / M / L	dB(A)	38 / 32 / 27	38 / 32 / 27	44 / 39 / 35
Sound Power Level	Cooling	Max.	dB(A)	59	59	60
Piping Connections	Drain	O.D. / I.D.	mm	Ø16.7 / 12.2	Ø16.7 / 12.2	Ø16.7 / 12.2
OUTDOOR				UUA1 ULO	UUB1 U20	
Power Supply			Ø / V / Hz	1 / 220-240 / 50	1 / 220-240 / 50	
Circuit Breaker		Min.	A	15	20	
Power Supply Cable (Included Earth)			No x mm³	3C x 1.5	3C x 2.5	
Dimensions	Net	W x H x D	mm	770 x 545 x 288	870 x 650 x 330	
Weight	Net		kg	33.3	44.5	
Compressor	Type		-	Twin Rotary	Twin Rotary	
	Type		-	R32	R32	
	Refrigerant		-	675	675	
	Precharged Amount		kg	1.0	1.2	
	t-CO ₂ eq		-	0.675	0.81	
Fan	Additional Charge (After 7.5m)		g/m	20	20	
	Air Flow Rate	Rated	m³/min x No.	28 x 1	50 x 1	
Total Piping Length		Min. / Max.	m	5 / 30	5 / 30	
Piping Elevation	IDU - ODU	Max.	m	30	30	

Note :

- Due to our policy of innovation some specifications may be changed without notification.
- Performances are based on the following conditions (It is accordance with EN14511)
 - Cooling : Indoor Ambient Temp 27°C DB / 19°C WB, Outdoor Ambient Temp 35°C DB / 24°C WB
 - Heating : Indoor Ambient Temp 20°C DB / 15°C WB, Outdoor Ambient Temp 7°C DB / 6°C WB
 - Interconnected Pipe is standard length and difference of Elevation (Outdoor - Indoor Unit) is 0m.
- Sound Level Values are measured at Noise Measuring chamber accordance with standard. Therefore, these values depend on the ambient conditions and values are normally higher in actual operation.
- This product contains fluorinated greenhouse gases. (R32)

FLOOR STANDING



Stylish Design

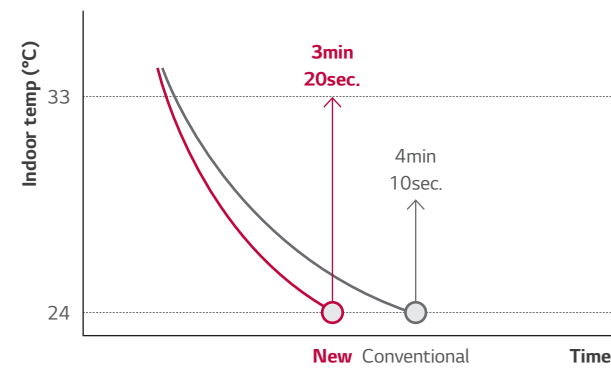
A 2013 Reddot design award winner, the new LG floor standing air conditioner is ideal for modern interiors in your home or office.



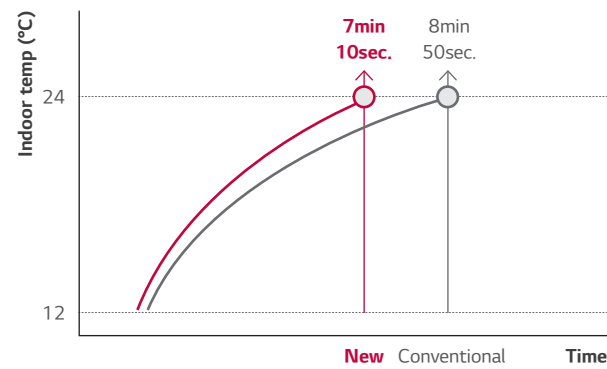
Quick Response

Offering powerful cooling, the commercial air conditioning system can reach a set temperature in a shorter period of time. Meanwhile, the Power Heating function provides the optimal air flow angle, guaranteeing a faster heating performance.

Cooling

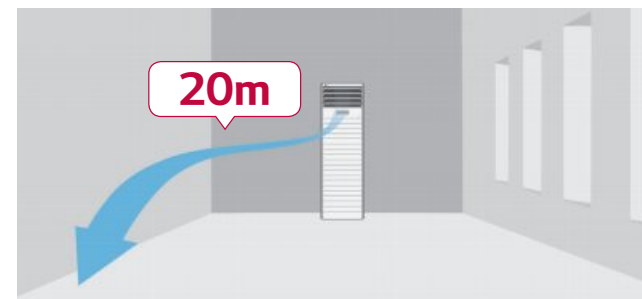


Heating



Powerful Air Flow

The new LG floor standing air conditioner is efficient for using in large areas due to its powerful cooling and heating operation. The powerful air speed and volume means the air flow can reach up to 20m away from the air conditioner.



STANDARD INVERTER (R410A)

UP48



UU48W U32 UU49W U32



LG participates in the ECP programme for EUROVENT AC program. Check ongoing validity of certification : www.eurovent-certification.com

INDOOR				UP48 NT2	
Capacity	Cooling	Min. / Nom. / Max.	kW	6.0 / 13.4 / 15.2	
	Heating	Min. / Nom. / Max.	kW	6.0 / 15.5 / 17.1	
Low Temperature Capacity	Heating -7°C	Max.	kW	16.0	
	Cooling	Nom.	kW	4.2	
Power Input (Set)	Heating	Nom.	kW	4.5	
		Nom.	W	200	
Power Input (Indoor)	Cooling / Heating	Nom.	A	18.1 / 19.5	
Power Supply			Ø / V / Hz	1 / 220-240 / 50	
EER				3.21	
COP				3.41	
SEER				5.05	
SCOP				3.51	
Pdesign (@ -10°C)			kW	11.5	
Seasonal Energy Label	Cooling / Heating			-	
Annual Energy Consumption	Cooling / Heating		kWh	-	
	Liquid		mm (inch)	Ø9.52 (3/8)	
Piping Connection	Gas		mm (inch)	Ø15.88 (5/8)	
	Drain	O.D. / I.D.	mm	32 / 25	
Air Flow Rate		High / Medium / Low	m³/min	31 / 27 / 23	
Sound Pressure	Cooling	High / Medium / Low	dB(A)	52 / 49 / 45	
	Heating	Max.	dB(A)	65	
Sound Power	Cooling	Max.	dB(A)	65	
Dehumidification Rate			l/h	5.0	
Dimensions	Body	W x H x D	mm	590 x 1,840 x 460	
Net Weight	Body		kg	50.0	
OUTDOOR				UU48W U32	UU49W U32
Compressor	Type			Twin Rotary	Twin Rotary
Airflow Rate		Nom	m³/min	110	110
Sound Pressure	Cooling	Nom	dB(A)	52	52
	Heating	Nom	dB(A)	54	54
Sound Power	Cooling	Max	dB(A)	72	68
Dimensions	W x H x D		mm	950 x 1,380 x 330	950 x 1,380 x 330
Net Weight			kg	92.0	96.0
Refrigerant	Type			R410A	R410A
	Charge		g	3,400	3,400
	Additional Charge		g/m	40	40
	GWP			2087.5	2087.5
	TCO ₂ eq			7.1	7.1
Operation Range (Outdoor)	Cooling	Min. / Max.	°C DB	-15 / 48	-15 / 48
	Heating	Min. / Max.	°C WB	-18 / 18	-18 / 18
Power Supply			Ø / V / Hz	1 / 220-240 / 50	3 / 380-415 / 50
Power Supply Cable			No. x mm²	3C x 5.0	5C x 5.0
Transmission Cable			No. x mm²	4C x 0.75	4C x 0.75
Circuit Breaker			A	40	20
Piping Length Total		Min. / Max.	m	5 / 75	5 / 75
Piping Elevation Difference	IDU - ODU	Max.	m	30	30
Piping Connection	Liquid		mm (inch)	Ø9.52 (3/8)	Ø9.52 (3/8)
	Gas		mm (inch)	Ø15.88 (5/8)	Ø15.88 (5/8)

Note :

- Due to our policy of innovation some specifications may be changed without notification.
- Performances are based on the following conditions (It is accordance with EN14511)
 - Cooling : Indoor Ambient Temp 27°C DB / 19°C WB, Outdoor Ambient Temp 35°C DB / 24°C WB
 - Heating : Indoor Ambient Temp 20°C DB / 15°C WB, Outdoor Ambient Temp 7°C DB / 6°C WB
 - Interconnected Pipe is standard length and difference of Elevation (Outdoor - Indoor Unit) is 0m.
- Sound Level Values are measured at Noise Measuring chamber accordance with standard. Therefore, these values depend on the ambient conditions and values are normally higher in actual operation.
- This product contains fluorinated greenhouse gases. (R410A)

SINGLE SPLIT SPECIFICATIONS

WALL MOUNTED



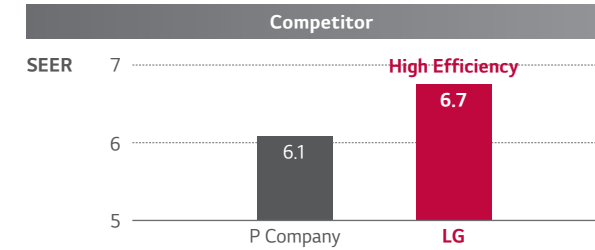
Saving Operation Cost

High Energy Efficiency



The advanced technologies of LG achieve lower energy consumption, especially in cooling as can be seen from the SEER class given according to ErP Regulations.

Server room need to be operated continuously. That's why server room owners want to use high energy efficient air conditioning. LG solution saves annual operation cost for server room due to high SEER.



※ P Company 7.1kW Solution / Outdoor unit : 7.1kW
Indoor unit : 7.1kW Wall mounted unit
※ Performances are based on the following conditions :
• Cooling : Indoor Temp. 27°CDB / 19°CWB, Outdoor Temp. 35°CDB / 24°CWB
• Heating : Indoor Temp. 20°CDB / 15°CWB, Outdoor Temp. 7°CDB / 6°CWB
• Interconnected Pipe is standard length and difference of Elevation (Outdoor - Indoor Unit) is 0m.

LG Server Room Solution

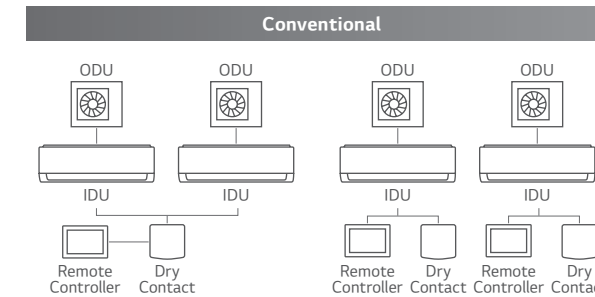
SEER class (ErP regulation)						
	2.5kW	3.4kW	5.0kW	6.8kW	8.0kW	9.5kW
SEER	7.0 (A++)	6.6 (A++)	6.8 (A++)	6.7 (A++)	7.0 (A++)	6.1 (A++)
SCOP					4.3 (A+)	3.85 (A+)

SEER class (ErP regulation)			
A+++	SEER ≥ 8.5	B	4.6 ≤ SEER < 5.1
A++	6.1 ≤ SEER < 8.5	C	4.1 ≤ SEER < 4.6
A+	5.6 ≤ SEER < 6.1	D	3.6 ≤ SEER < 4.1
A	5.1 ≤ SEER < 5.6		

Easy Installation

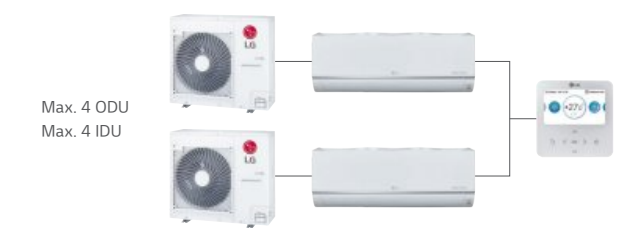
Simplified Connection

For small server rooms, LG provides a simple system with only one remote controller. It doesn't need additional control accessories.



- **Higher product cost**
A conventional system needs a dry contact and 3rd party control individual remote controller(s).
- **Higher installation cost**
Need more labor and time for design, installation, cabling and test.
- **Design & Installation difficulties**
It is difficult to make if you need to control more indoor units.

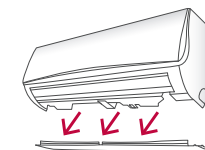
LG Server Room Solution



- **Lower product cost**
Only one LG's remote controller needed for max.4 ODUs and IDUs.
 - **Lower installation cost**
Need less labor and time for design, installation, cabling and test.
 - **Easy Design & Installation**
It provides easy design and installation because of a simple system with LG controller even in case of more number of ODUs and IDUs(Max.4).
- ※ MJ09PC, MJ12PC, MJ18PC, MJ24PC combinations are only available

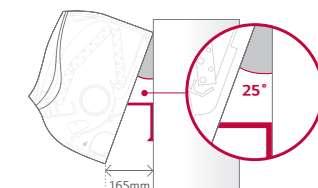
Detachable Bottom Cover

The bottom cover is detachable when needed, making installation easier. Disassembly or additional support of the unit is unnecessary. Installation can be completed by one individual with LG's patented support tool.



Installation Support Clip

A support clip creates adequate space between the wall and the unit for easier installation.



※ This contents of page will be updated later. (Saving operation cost / Easy installation)

Stable & Reliable Operation

Duty Rotation

Operates more than 2 sets of indoor units alternatively at every set time of operation interval. Rotation interval can be set from 1h to 999h freely.



Air Conditioners' Overworking

- Shortening an air conditioner's lifetime
- Reducing compressor's life expectancy
- The service cost may increase due to an air conditioner's overworking

Stable & Safe Operation

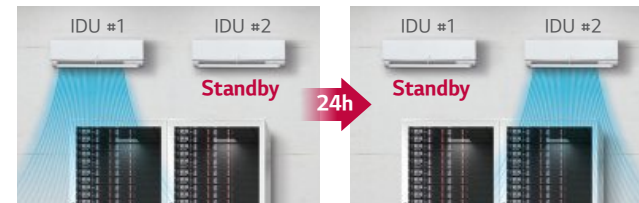
- Stable operation due to indoor units taking turns when operating
- Less breakdowns and operational server room
- The air conditioner's life expectancy is increased
- Rotation interval can be set from 1h to 999h freely

Operation Scenario

When the number of the indoor units : 2

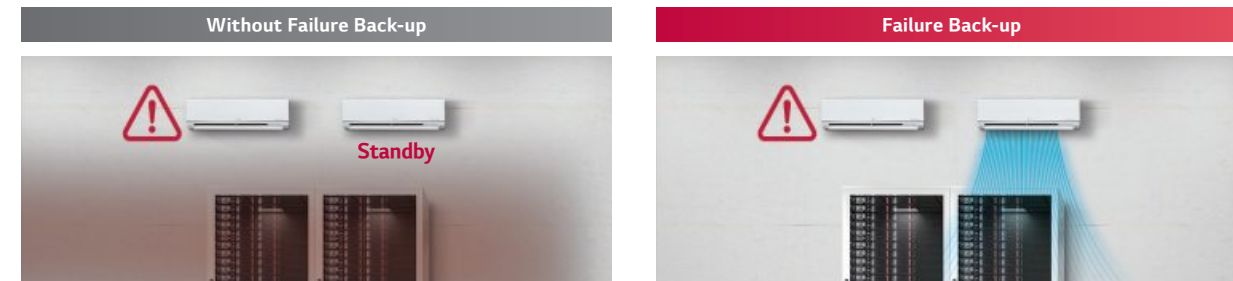
If the interval time is set 24h(default),

- 1 While IDU #1 operates during interval time, IDU #2 is on standby.
- 2 IDU #2 operates next 24 hours, and IDU #1 is on standby.



Failure Back-up

If systems in operation have an error and stop, the standby unit starts operation automatically.



A server can be shut down

- In case of an overheated server room a server can be shut down
- The risk of an increased service cost
- The need for manual monitoring and operation for failure

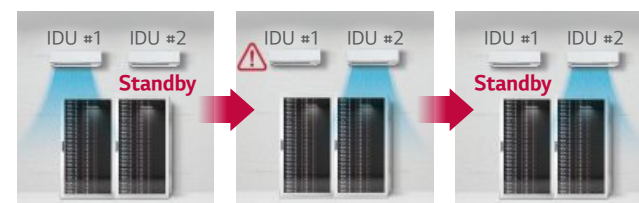
Stable & Safe Operation

- Stable operation because the operation error can be covered by failure back-up operation
- Continuous server operations and decreased risk
- The server is protected from overheating
- Less manual work

Operation Scenario

When the number of the indoor units : 2

- 1 When duty rotation is enabled, IDU #1 is in operation and IDU #2 is on standby.
- 2 If an error occurs on IDU #1, a standby unit starts operation.
- 3 After the error is cleared, IDU #2 goes back to standby.



Capacity Back-up

When the difference between the cooling set temperature and the current room temperature is higher than the set temperature difference of capacity back-up, the standby unit operates. When the temperature difference reaches the set temperature difference, it goes back to the normal duty rotation.



Server can be Overheated

- Sometimes the server room can be overheated because of the server overload
- The servers can be shut down when they overheat continuously
- Air conditioners overload
- Need manual controls for additional cooling

Stable & Safe Operation

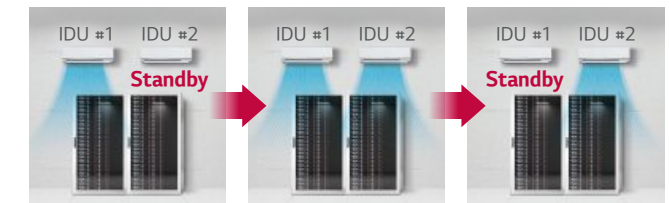
- Stable operation due to the over capacity by back-up operation
- Prevent air conditioners from overload
- Protect server from overheating
- No need for manual controls due to the automatic protection from overheating

Operation Scenario

When the number of the indoor units : 2

The set temperature difference is A, and the difference between the cooling set temperature and the current room temperature is B,

- 1 When duty rotation is enabled, IDU #1 is in operation and IDU #2 is on standby.
- 2 If B is higher than A, the standby unit starts operation.
- 3 When B goes down and remains below A for some time, The backup unit stops and goes back to standby mode.

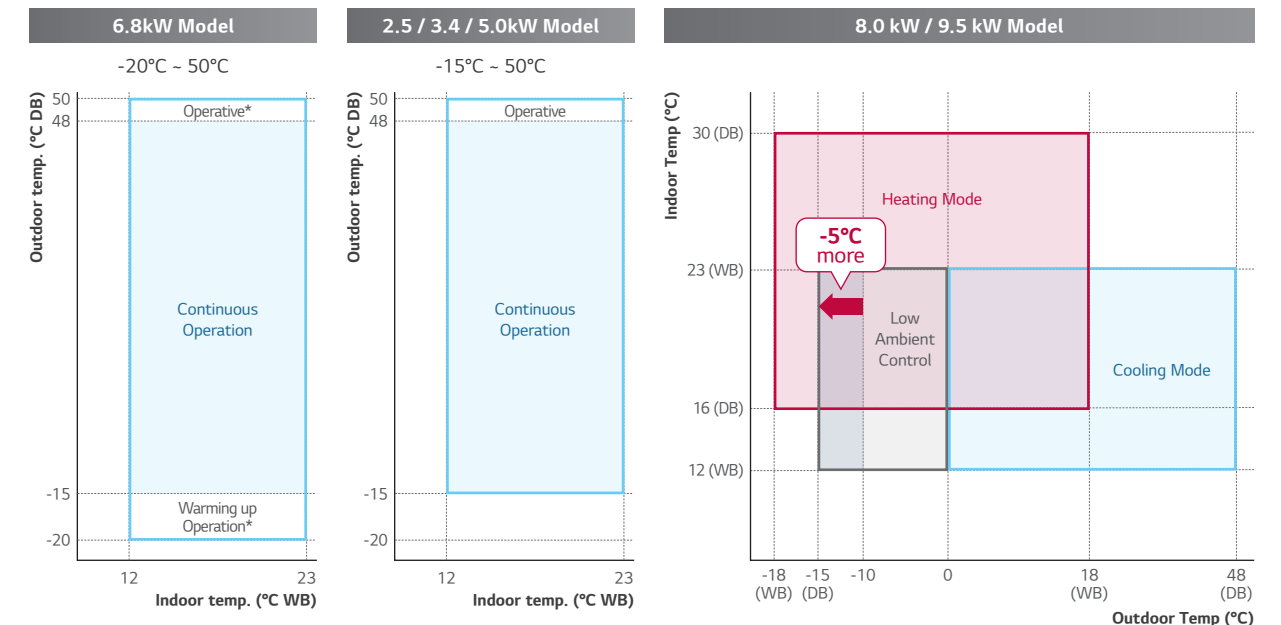


If cooling set temperature is 22°C and the set temperature difference is 4°C, when current temperature goes above 26°C, the standby unit starts operation. If current temperature drops and remains below 26°C for some time, the backup unit stops.

* Duty rotation, capacity back-up, failure back-up function will be available from 2021.2Q - Applied models : MJ09PC, MJ12PC, MJ18PC, MJ24PC only

Wide Operational Range

In case of the server room, continuous cooling is required all year round, and outdoor unit must be stable in the outdoor harsh cold temperature. LG Single split has wide operation range in cooling down continuously from -15°C and up to 48°C.



* Warming up operation and operative means that the outdoor unit operates to reach the range of continuous operating, however it may not operate continuously due to safety or protection logic.

STANDARD INVERTER (R32)

MJ09PC / MJ12PC



LG participates in the ECP programme for EUROVENT AC program.
Check ongoing validity of certification
: www.eurovent-certification.com

UUA1 ULO



COMBINATION				9	12
Capacity	Cooling	Min. / Rated / Max.	kW	1.50 / 2.50 / 3.20	1.50 / 3.50 / 4.00
	Heating	Min. / Rated / Max.	kW	1.80 / 3.20 / 3.70	1.80 / 4.00 / 4.40
Power Input	Cooling	Min. / Rated / Max.	kW	0.30 / 0.58 / 0.84	0.33 / 0.97 / 1.48
	Heating	Min. / Rated / Max.	kW	0.30 / 0.71 / 0.85	0.33 / 1.00 / 1.48
Running Current	Cooling	Rated	A	2.60	4.40
	Heating	Rated	A	3.20	4.50
EER / COP			kWh / kWh	4.30 / 4.50	3.60 / 4.00
SEER / SCOP			kWh / kWh	7.00 / 4.00	6.60 / 4.00
P Design	Cooling @ 35°C		kW	2.5	3.5
	Heating @-10°C		kW	2.8	2.8
Seasonal Energy Label	Cooling / Heating		-	A++ / A+	A++ / A+
Annual Energy Consumption	Cooling / Heating		kWh	125 / 980	186 / 980
Dehumidification Rate			ℓ/h	1.90	1.90
ODU Sound Pressure Level	Cooling	Rated	dB(A)	49	49
	Heating	Rated	dB(A)	52	52
ODU Sound Power Level	Cooling	Rated	dB(A)	65	65
	Heating	Rated	dB(A)	-	-
Piping Connections	Liquid	Outer Dia.	mm (inch)	∅ 6.35 (1/4)	∅ 6.35 (1/4)
	Gas	Outer Dia.	mm (inch)	∅ 9.52 (3/8)	∅ 9.52 (3/8)
	Connections Method			Flare	Flare
Operation Range (Outdoor)	Cooling	Min. / Max.	°C	-15 / 50	-15 / 50
	Heating	Min. / Max.	°C	-20 / 18	-20 / 18
INDOOR				MJ09PC NSJ	MJ12PC NSJ
Power Supply			∅ / V / Hz	1 / 220-240 / 50	1 / 220-240 / 50
Power Input	Min. / Nom. / Max.		W	11 / 18 / 30	11 / 19 / 30
Air Flow Rate	H / M / L		m³/min	7.6 / 6.2 / 4.8	8.0 / 6.6 / 5.5
Dimensions	Body	W x H x D	mm	818 x 316 x 189	818 x 316 x 189
	Weight		kg (lbs)	8.2 (18.1)	8.2 (18.1)
Sound Pressure Level	Cooling	H / M / L	dB(A)	36 / 32 / 27	38 / 34 / 29
	Sound Power Level	Max.	dB(A)	56	56
Piping Connections	Drain	O.D. / I.D.	mm	∅ 21.5 / 16.0	∅ 21.5 / 16.0
OUTDOOR				UUA1 ULO	
Power Supply			∅ / V / Hz	1 / 220-240 / 50	
Circuit Breaker	Min.		A	15	
Power Supply Cable (included Earth)			No. x mm²	3C x 1.5	
Dimensions	Net	W x H x D	mm	770 x 545 x 288	
Weight	Net		kg	33.3	
Compressor	Type			Twin Rotary	
	Type			R32	
Refrigerant	GWP (Global Warming Potential)			675	
	Precharged Amount		kg	1.0	
	t-CO ₂ eq.			0.675	
	Control			EEV	
	Additional Charging Volume		g/m	20	
Air Flow Rate	Rated		m³/min x No.	28 x 1	
Total Piping Length	Min. / Max.		m	5.0 / 30.0	
Piping Elevation	IDU-ODU	Max.	m	30	

STANDARD INVERTER (R32)

MJ18PC / MJ24PC



LG participates in the ECP programme for EUROVENT AC program.
Check ongoing validity of certification
: www.eurovent-certification.com

UUB1 U20

UUC1 U40



COMBINATION				18	24
Capacity	Cooling	Min. / Rated / Max.	kW	2.00 / 5.00 / 7.00	2.70 / 6.80 / 7.70
	Heating	Min. / Rated / Max.	kW	2.30 / 5.80 / 6.10	3.00 / 6.90 / 7.24
Power Input	Cooling	Min. / Rated / Max.	kW	0.30 / 1.39 / 2.63	0.40 / 2.00 / 2.57
	Heating	Min. / Rated / Max.	kW	0.30 / 1.71 / 1.96	0.40 / 2.30 / 2.50
Running Current	Cooling	Rated	A	6.30	9.10
	Heating	Rated	A	7.70	10.60
EER / COP			kWh / kWh	3.61 / 3.40	3.40 / 3.00
SEER / SCOP			kWh / kWh	6.80 / 4.00	6.70 / 3.90
P Design	Cooling @ 35°C		kW	5.0	6.8
	Heating @-10°C		kW	4.1	5.0
Seasonal Energy Label	Cooling / Heating		-	A++ / A+	A++ / A
Annual Energy Consumption	Cooling / Heating		kWh	257 / 1,365	355 / 1,795
Dehumidification Rate			ℓ/h	3.35	3.50
ODU Sound Pressure Level	Cooling	Rated	dB(A)	47	48
	Heating	Rated	dB(A)	52	52
ODU Sound Power Level	Cooling	Rated	dB(A)	63	65
	Heating	Rated	dB(A)	-	-
Piping Connections	Liquid	Outer Dia.	mm (inch)	∅ 6.35 (1/4)	∅ 9.52 (3/8)
	Gas	Outer Dia.	mm (inch)	∅ 12.7 (1/2)	∅ 15.88 (5/8)
	Connections Method			Flare	Flare
Operation Range (Outdoor)	Cooling	Min. / Max.	°C	-15 / 50	-20 / 50
	Heating	Min. / Max.	°C	-20 / 18	-20 / 18
INDOOR				MJ18PC NSK	MJ24PC NSK
Power Supply			∅ / V / Hz	1 / 220-240 / 50	1 / 220-240 / 50
Power Input	Min. / Nom. / Max.		W	26 / 39 / 60	27 / 45 / 60
Air Flow Rate	H / M / L		m³/min	15.8 / 12.4 / 10.0	16.9 / 12.8 / 10.4
Dimensions	Body	W x H x D	mm	975 x 354 x 209	975 x 354 x 209
	Weight		kg (lbs)	10.9 (24.0)	11.5 (25.4)
Sound Pressure Level	Cooling	H / M / L	dB(A)	44 / 38 / 34	46 / 41 / 36
	Sound Power Level	Max.	dB(A)	59	65
Piping Connections	Drain	O.D. / I.D.	mm	∅ 21.5 / 16.0	∅ 21.5 / 16.0
OUTDOOR				UUB1 U20	UUC1 U40
Power Supply			∅ / V / Hz	1 / 220-240 / 50	1 / 220-240 / 50
Circuit Breaker	Min.		A	20	25
Power Supply Cable (included Earth)			No. x mm²	3C x 2.5	3C x 2.5
Dimensions	Net	W x H x D	mm	870 x 650 x 330	950 x 834 x 330
Weight	Net		kg	44.5	57.7
Compressor	Type			Twin Rotary	
	Type			R32	
Refrigerant	GWP (Global Warming Potential)			675	
	Precharged Amount		kg	1.2	
	t-CO ₂ eq.			0.810	
	Control			EEV	
	Additional Charging Volume		g/m	20	
Air Flow Rate	Rated		m³/min x No.	50 x 1	58 x 1
Total Piping Length	Min. / Max.		m	5.0 / 35.0	5.0 / 50.0
Piping Elevation	IDU-ODU	Max.	m	30	30

STANDARD INVERTER (R32)

US30F / US36F



LG participates in the ECP programme for EUROVENT AC program.
Check ongoing validity of certification
: www.eurovent-certification.com

UUC1 U40



UUD1 U30



UUD3 U30



COMBINATION				30	36	36
Capacity	Cooling	Min. / Rated / Max.	kW	3.2 / 8.0 / 9.0	3.8 / 9.5 / 12.5	3.8 / 9.5 / 12.5
	Heating	Min. / Rated / Max.	kW	3.6 / 9.0 / 10.0	4.3 / 10.8 / 13.4	4.3 / 10.8 / 13.4
Power Input (Set)	Cooling	Min. / Rated / Max.	kW	0.50 / 2.28 / 3.17	0.30 / 2.57 / 3.91	0.30 / 2.57 / 3.91
	Heating	Min. / Rated / Max.	kW	0.50 / 2.5 / 3.20	0.50 / 2.77 / 3.77	0.50 / 2.77 / 3.77
Running Current	Cooling	Rated	A	10.1	11.4	4.1
	Heating	Rated	A	11.1	12.2	4.4
EER / COP			kWh / kWh	3.51 / 3.60	3.70 / 3.90	3.70 / 3.90
SEER / SCOP			kWh / kWh	7.0 / 4.3	6.10 / 3.85	6.10 / 3.85
Pdesign	Cooling @ 35°C		kW	8	9.5	9.5
	Heating @ -10°C		kW	5.4	8.7	8.7
Seasonal Energy Label	Cooling / Heating		-	A++ / A+	A++ / A	A++ / A
Annual Energy Consumption	Cooling / Heating		kWh	400 / 1,758	545 / 3,164	545 / 3,164
Dehumidification Rate			l/h	2.9	3.8	3.8
ODU Sound Pressure Level	Cooling / Heating	Rated	dB(A)	50 / 52	50 / 50	50 / 50
ODU Sound Power Level	Cooling	Rated	dB(A)	68	66	66
Piping Connections	Liquid		mm (inch)	Ø9.52 (3/8)	Ø9.52 (3/8)	Ø9.52 (3/8)
	Gas		mm (inch)	Ø15.88 (5/8)	Ø15.88 (5/8)	Ø15.88 (5/8)
	Connections Method		-	Flared	Flared	Flared
Operation Range (Outdoor)	Cooling	Min. / Max.	°C	-20 - 50	-20 - 52	-20 - 52
	Heating	Min. / Max.	°C	-20 - 18	-25 - 18	-25 - 18
INDOOR				US30F NR0	US36F NR0	US36F NR0
Power Supply			Ø / V / Hz	1 / 220-240 / 50	1 / 220-240 / 50	1 / 220-240 / 50
Power Input (IDU)		H / M / L	W	47 / 42 / 36	65 / 47 / 42	65 / 47 / 42
Air Flow Rate		H / M / L	m ³ /min	21 / 17 / 13	25 / 21 / 17	25 / 21 / 17
Dimensions	Body	W x H x D	mm	1,200 x 360 x 265	1,200 x 360 x 265	1,200 x 360 x 265
Weight	Body		kg	18.3	18.3	18.3
Sound Pressure Level	Cooling	H / M / L	dB(A)	46.0 / 42.0 / 38.0	51.0 / 46.0 / 42.0	51.0 / 46.0 / 42.0
Sound Power Level	Cooling	Max.	dB(A)	62	65	65
Piping Connections	Drain	O.D. / I.D.	mm	Ø21.5 / 16.0	Ø21.5 / 16.0	Ø21.5 / 16.0
OUTDOOR				UUC1 U40	UUD1 U30	UUD3 U30
Power Supply			Ø / V / Hz	1 / 220-240 / 50	1 / 220-240 / 50	3 / 380-415 / 50
Circuit Breaker		Min.	A	25	40	20
Power Supply Cable (Included Earth)			No x mm ³	3C x 2.5	3C x 6.0	5C x 2.5
Dimensions	Net	W x H x D	mm	950 x 834 x 330	950 x 1,380 x 330	950 x 1,380 x 330
Weight	Net		kg	57.7	85	85
Compressor	Type		-	Twin Rotary	Inverter Scroll	Inverter Scroll
	Type		-	R32	R32	R32
	GWP (Global Warming Potential)		-	675	675	675
	Precharged Amount		kg	1.9	3.0	3.0
	t-CO ₂ eq		-	1.283	2.025	2.025
Refrigerant	Additional Charge (After 7.5m)		g/m	40	40	40
	Fan	Air Flow Rate	Rated	m ³ /min x No.	58 x 1	55 x 2
Total Piping Length		Min. / Max.	m	5 / 50	5 / 85	5 / 85
Piping Elevation	IDU - ODU	Max.	m	30	30	30

Note :

- Due to our policy of innovation some specifications may be changed without notification.
- Performances are based on the following conditions (It is accordance with EN14511)
 - Cooling : Indoor Ambient Temp 27°C DB / 19°C WB, Outdoor Ambient Temp 35°C DB / 24°C WB
 - Heating : Indoor Ambient Temp 20°C DB / 15°C WB, Outdoor Ambient Temp 7°C DB / 6°C WB
 - Interconnected Pipe is standard length and difference of Elevation (Outdoor - Indoor Unit) is 0m.
- Sound Level Values are measured at Noise Measuring chamber accordance with standard. Therefore, these values depend on the ambient conditions and values are normally higher in actual operation.
- This product contains fluorinated greenhouse gases. (R32)

COMPACT INVERTER (R32)

US30F / US36F



LG participates in the ECP programme for EUROVENT AC program.
Check ongoing validity of certification
: www.eurovent-certification.com

UUB1 U20



UUC1 U40



COMBINATION				30	36
Capacity	Cooling	Min. / Rated / Max.	kW	3.0 / 7.5 / 8.3	3.8 / 9.5 / 10.6
	Heating	Min. / Rated / Max.	kW	3.1 / 7.7 / 8.5	4.3 / 10.8 / 11.5
Power Input (Set)	Cooling	Min. / Rated / Max.	kW	0.50 / 2.31 / 2.77	0.60 / 3.06 / 3.67
	Heating	Min. / Rated / Max.	kW	0.40 / 2.14 / 2.78	0.60 / 3.0 / 3.72
Running Current	Cooling	Rated	A	10.1	13.6
	Heating	Rated	A	9.3	13.3
EER / COP			kWh / kWh	3.25 / 3.60	3.10 / 3.60
SEER / SCOP			kWh / kWh	6.8 / 4.1	6.4 / 4.1
Pdesign	Cooling @ 35°C		kW	7.5	9.5
	Heating @ -10°C		kW	4.3	5.8
Seasonal Energy Label	Cooling / Heating		-	A++ / A+	A++ / A+
Annual Energy Consumption	Cooling / Heating		kWh	386 / 1,468	520 / 1,980
Dehumidification Rate			l/h	3.0	3.5
ODU Sound Pressure Level	Cooling / Heating	Rated	dB(A)	50 / 54	54 / 56
ODU Sound Power Level	Cooling	Rated	dB(A)	67	70
Piping Connections	Liquid		mm (inch)	Ø9.52 (3/8)	Ø9.52 (3/8)
	Gas		mm (inch)	Ø15.88 (5/8)	Ø15.88 (5/8)
	Connections Method		-	Flared	Flared
Operation Range (Outdoor)	Cooling	Min. / Max.	°C	-10 - 48	-20 - 50
	Heating	Min. / Max.	°C	-15 - 18	-15 - 18
INDOOR				US30F NR0	US36F NR0
Power Supply			Ø / V / Hz	1 / 220-240 / 50	1 / 220-240 / 50
Power Input (IDU)		H / M / L	W	47 / 42 / 36	65 / 47 / 42
Air Flow Rate		H / M / L	m ³ /min	21 / 17 / 13	25 / 21 / 17
Dimensions	Body	W x H x D	mm	1,200 x 360 x 265	1,200 x 360 x 265
Weight	Body		kg	18.3	18.3
Sound Pressure Level	Cooling	H / M / L	dB(A)	46.0 / 42.0 / 38.0	51.0 / 46.0 / 42.0
Sound Power Level	Cooling	Max.	dB(A)	62	65
Piping Connections	Drain	O.D. / I.D.	mm	Ø21.5 / 16.0	Ø21.5 / 16.0
OUTDOOR				UUB1 U20	UUC1 U40
Power Supply			Ø / V / Hz	1 / 220-240 / 50	1 / 220-240 / 50
Circuit Breaker		Min.	A	20	25
Power Supply Cable (Included Earth)			No x mm ³	3C x 2.5	3C x 2.5
Dimensions	Net	W x H x D	mm	870 x 650 x 330	950 x 834 x 330
Weight	Net		kg	44.5	57.7
Compressor	Type		-	Twin Rotary	Twin Rotary
	Type		-	R32	R32
	GWP (Global Warming Potential)		-	675	675
	Precharged Amount		kg	1.2	1.9
	t-CO ₂ eq		-	0.81	1.283
Refrigerant	Additional Charge (After 7.5m)		g/m	40	40
	Fan	Air Flow Rate	Rated	m ³ /min x No.	50 x 1
Total Piping Length		Min. / Max.	m	5 / 35	5 / 50
Piping Elevation	IDU - ODU	Max.	m	30	30

Note :

- Due to our policy of innovation some specifications may be changed without notification.
- Performances are based on the following conditions (It is accordance with EN14511)
 - Cooling : Indoor Ambient Temp 27°C DB / 19°C WB, Outdoor Ambient Temp 35°C DB / 24°C WB
 - Heating : Indoor Ambient Temp 20°C DB / 15°C WB, Outdoor Ambient Temp 7°C DB / 6°C WB
 - Interconnected Pipe is standard length and difference of Elevation (Outdoor - Indoor Unit) is 0m.
- Sound Level Values are measured at Noise Measuring chamber accordance with standard. Therefore, these values depend on the ambient conditions and values are normally higher in actual operation.
- This product contains fluorinated greenhouse gases. (R32)

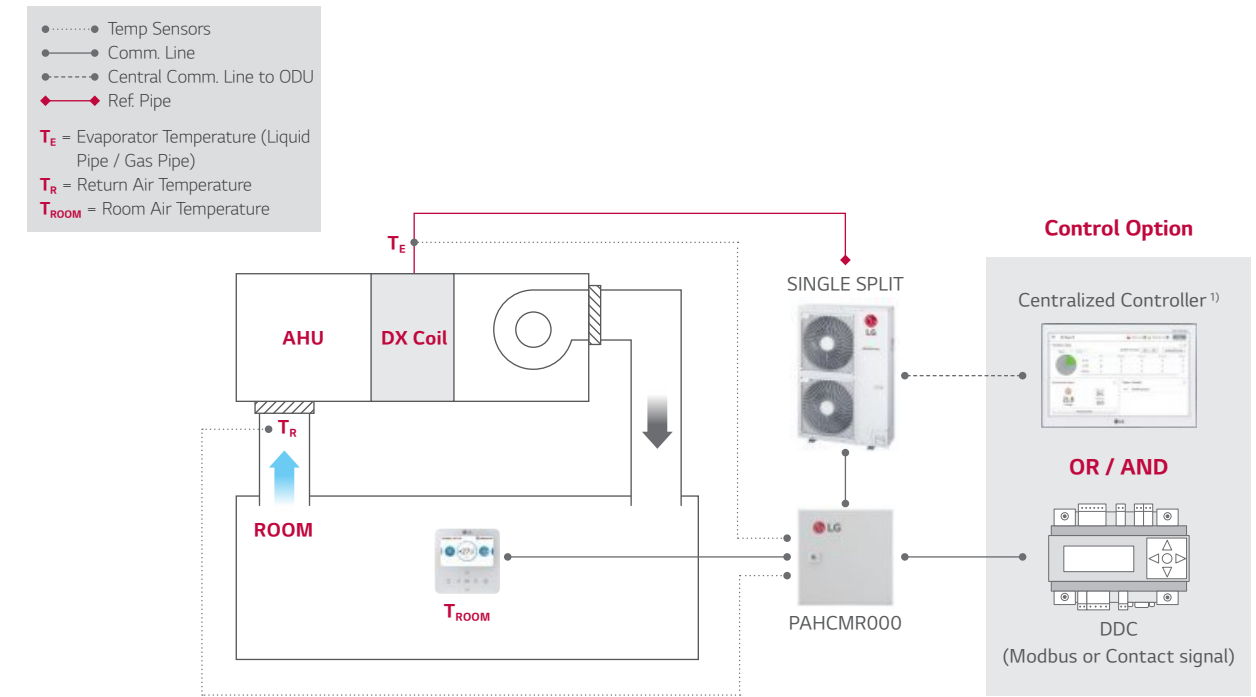
AHU SOLUTION



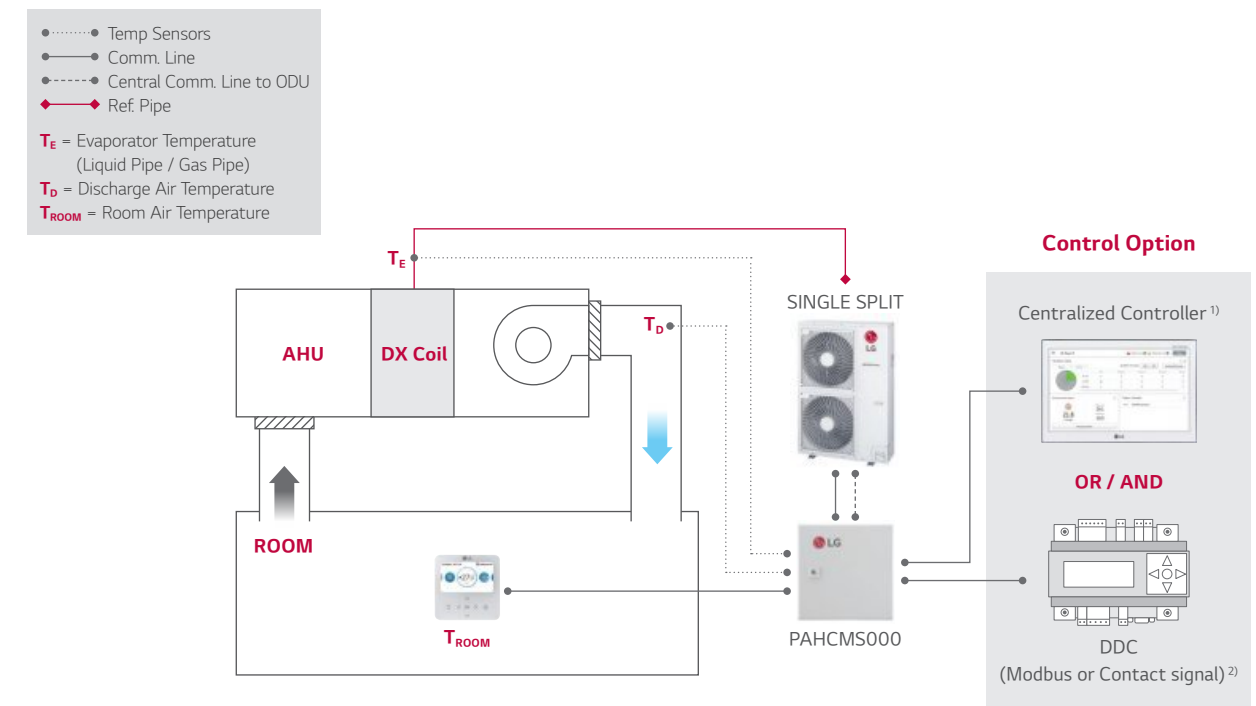
Air Handling Applications

Economically feasible solution for pair application with air handling units.

Return/Room Air Temperature Control



Discharge Air Temperature Control



1) PI485(PMNF14A1) is required for using centralized controller.

2) In case of applying DDC with contact signal, discharge air temperature should be measured and controlled by DDC.

3) For more detail, please refer to the PDB of AHU Communication Kit.

Communication Kit



PAHCMR000 / PAHCMS000

Specification

MODEL	COMBINATION		DESCRIPTION	DIMENSIONS (MM)		
	OUTDOOR UNIT	CENTRALIZED CONTROLLER		W	H	D
PAHCMR000	Single Split	.	Return / Room air temperature control by DDC or LG individual / centralized controller	300	300	155
PAHCMS000	Single Split	.	Discharge air temperature control by DDC or LG individual / centralized controller	380	300	155

Function list for Communication kit

FUNCTION LIST*	PAHCMR000	PAHCMS000	NOTE
Comm. Kit Operation	On / Off	On / Off	
Operation Mode ¹⁾	Cooling / Heating	Cooling / Heating	
Return (room) Air Temperature	16-30°C	-	
Discharge Air Temperature ²⁾	-	16-30°C	Available in case of using DDC with Modbus or LG Control system
Fan Speed ³⁾	Low / Middle / High	Low / Middle / High	It may not be possible depending on the particular condition
Forced Thermal On / Off	On / Off	-	Available in case of using DDC with contact signal
Capacity Control	-	.	Available in case of using DDC with Modbus or contact signal
Comm. Kit Operation	On / Off	On / Off	
Operation Mode ¹⁾	Cooling / Heating	Cooling / Heating	Available in case of using DDC with Modbus or LG Control system
Fan Speed	Low / Middle / High	Low / Middle / High	
Error Alarm	.	.	
Compressor On / Off	On / Off	On / Off	Available in case of using DDC with Modbus or LG individual controller PAHCMR000 doesn't provide this in case of using DDC with contact signal

1) Available operation mode can be varied depending on the setting of AHU Communication Kit.
 2) This range may differ depending on the type of controller.
 3) To control and monitor the fan speed, DO ports for the fan speed status have to be connected with the fan unit.
 * Some of functions may not be possible depending on the setting of AHU Communication Kit. For more details of condition, please refer to the product data book.

Combination Table

Model Name		R32				R410A	
		UUA1 U10	UUB1 U20	UUC1 U40	UUD1 U30 UUD3 U30	UU70W U34	UU85W U74
Capacity Index Range	kBtu/h	9 - 18	18 - 30	24 - 36	36 - 60	70	85
	kW	2.5 - 5.0	5.0 - 8.0	6.8 - 10.0	10.0 - 14.6	20.0	25.0
PAHCMR000		X	0	0	0	0	0
PAHCMS000		X	0	0	0	0	0

ACCESSORIES



UVnano™ Filter Box

UVnano Filter Box can effectively create a safe indoor environment by trapping and removing various harmful substances such as fine dust, bacteria and viruses in the form of droplets.



UVnano Filter Box Kit (Included ePM1 Filter)
PBM13M3UA0 / PBM13M2UA0 / PBM13M1UA0

ePM1 Filter
FBM13M3UA0 / FBM13M2UA0 / FBM13M1UA0

PLATFORM	UNIT	M3 PLATFORM PBM13M3UA0	M2 PLATFORM PBM13M2UA0	M1 PLATFORM PBM13M1UA0	
Duct UVnano Filter Box	-				
Net Size (W x H x D)	mm	1,250 x 360 x 280	1,250 x 270 x 280	900 x 270 x 280	
Shipping Size (W x H x D)	mm	1,440 x 430 x 377	1,440 x 340 x 377	1,048 x 340 x 377	
Net Weight	kg	12.7	11.6	9.1	
Pre-Filter (1)	Size (W x H x D)	mm	596 x 377 x 4	596 x 247 x 4	596 x 247 x 4
	Mesh	-	34 x 39	34 x 39	34 x 39
	Color	-	Black	Black	Black
	Quantity	EA	2	2	1
Pre-Filter (2)	Size (W x H x D)	mm	-	-	247 x 247 x 4
	Mesh	-	-	-	34 x 39
	Color	-	-	-	Black
	Quantity	EA	-	-	1
UVnano	UVC Wavelength	nm	275	275	275
	UVC LED Quantity	EA	8	8	8
	Model Name		FBM13M3UA0	FBM13M2UA0	FBM13M1UA0
Filter (1)	Size (W x H x D)	mm	600 x 341 x 50.8	600 x 251 x 50.8	600 x 251 x 50.8
	Quantity	EA	2	2	1
	Grade	-	*ePM ₁ 65%	ePM ₁ 65%	ePM ₁ 65%
Filter (2)	Size (W x H x D)	mm	-	-	250 x 251 x 50.8
	Quantity	EA	-	-	1
	Grade	-	-	-	ePM ₁ 65%

* Grade : ISO 16890

LG Wi-Fi Modem

Control conditioners by using internet devices such as Android or iOS smartphones.



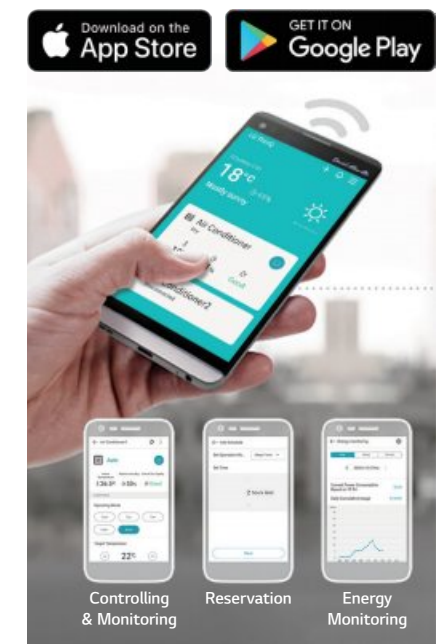
PWFMD200

Features

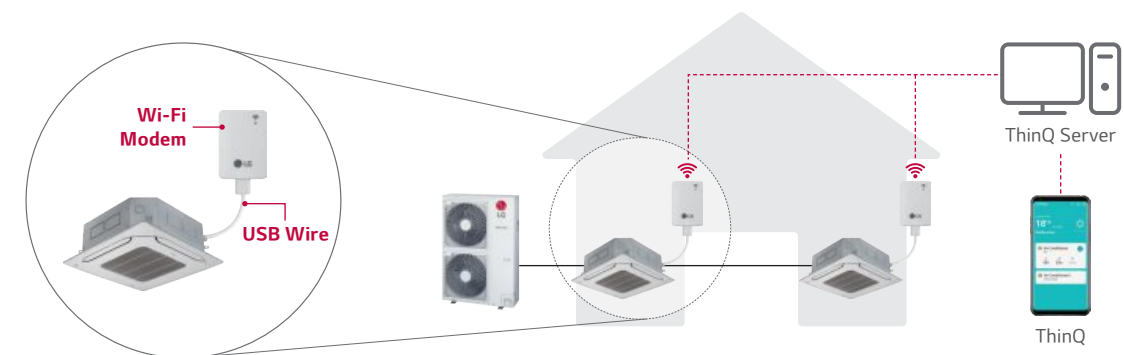
- A user can enjoy anytime, anywhere access with Wi-Fi equipped device through ThinQ mobile app.
- This allows the user to access the unit remotely to switch unit on or off before or after leaving the vicinity.
- LG's exclusive Home Appliances control app (ThinQ) is available.
- Simple operation for various functions.
 - On / Off
 - Operation Mode
 - Current / Set Temperature
 - Fan Speed
 - Vane Control ¹⁾
 - Reservation (Sleep, Weekly On / Off)
 - Energy Monitoring ²⁾
 - Filter Management
 - Error Check
 - Air Purify ³⁾

Model Name	PWFMD200
Size (W x H x D, mm)	48 x 68 x 14
Interfaceable Products	System Air Conditioner ³⁾
Connection Type	Indoor unit 1:1
Communication Frequency	2.4 GHz
Wireless Standards	IEEE 802.11b/g/n
Mobile Application	ThinQ (Android v4.1(Jellybean) or higher, iPhone iOS 9.0 or higher)
Optional Extension Cable	PWYREW000 (10m extension)

- Note : 1. Functionality may be different according to each IDU model.
 2. User interface of application shall be revised for its design and contents improvement.
 3. Application is optimized for smartphone use, so it may not be well functioning with tablet devices.
- 1) Vane Control may not be possible according to the type of Indoor unit.
 2) LG Centralized controller and PDI installation is required for this function.
 3) For the compatibility with indoor units, regional LG office.



Overview



- ※ Search "ThinQ" on Google market or Appstore then download the app.
- ※ Internet service with Wi-Fi connection has to be available.
- ※ For our policy of continuous ThinQ App improvement, specification, design and features are subject to change without prior notice.

Standard Wired Remote Controller



Standard III
PREMTB100



Standard III
PREMTBB10



Standard II
PREMTB001



Standard II
PREMTBB01

Model Name	PREMTB100 PREMTBB10	PREMTB001 PREMTBB01
Operation Mode	On / Off, Fan Speed Control, Temperature Setting	
Mode Change	Cooling, Heating, Auto, Dehumidification, Fan	
Auto Swing / Vane Control	•	•
Reservation	Simple, Sleep, On / Off, Weekly, Holiday	
Time Display	•	•
Electrical Failure Compensation	•	•
Child Lock	•	•
Operation Status LED	•	•
Indoor Temperature Display	•	•
Wireless Remote Controller Receiver	-	•
Size (W x H x D, mm)	120 x 120 x 16	120 x 121 x 16
Backlight	•	•

※ Refer to each model PDB for applicable models.

Remote Controller

PI 485



PWLSSB21H



PMNFP14A1

Power : Single phase AC 220V 50/60Hz
 Max. no of the indoor units that can be connected : 64 UNITS
 Model applied : RAC / Multi / Single / Therma V

※ Refer to each product PDB for applicable models.

Dry Contact



PDRYCB000



PDRYCB400



PDRYCB320



PDRYCB500 /
PDRYCB510*

Model	PDRYCB000	PDRYCB400	PDRYCB320	PDRYCB500/ PDRYCB510*
Contact Point	1 Control Point	2 Control Point	8 Control Point	Modbus RTU
Power Input	AC 220V from outside power source	DC 5V & 12V from indoor unit PCB	DC 5V & 12V from indoor unit PCB	DC 5V & 12V from indoor unit PDB
Voltage / Non Voltage Input	-	•	•	-
On / Off Control	•	•	•	•
Lock / Unlock	•	•	•	-
Fan Speed Setting	-	-	•	•
Thermo Off	-	•	•	-
Energy Saving	-	•	-	-
Temperature Setting	-	•	•	•
Error Monitoring	•	•	•	•
Operation Monitoring	•	•	•	•

※ Refer to each product PDB for applicable models.

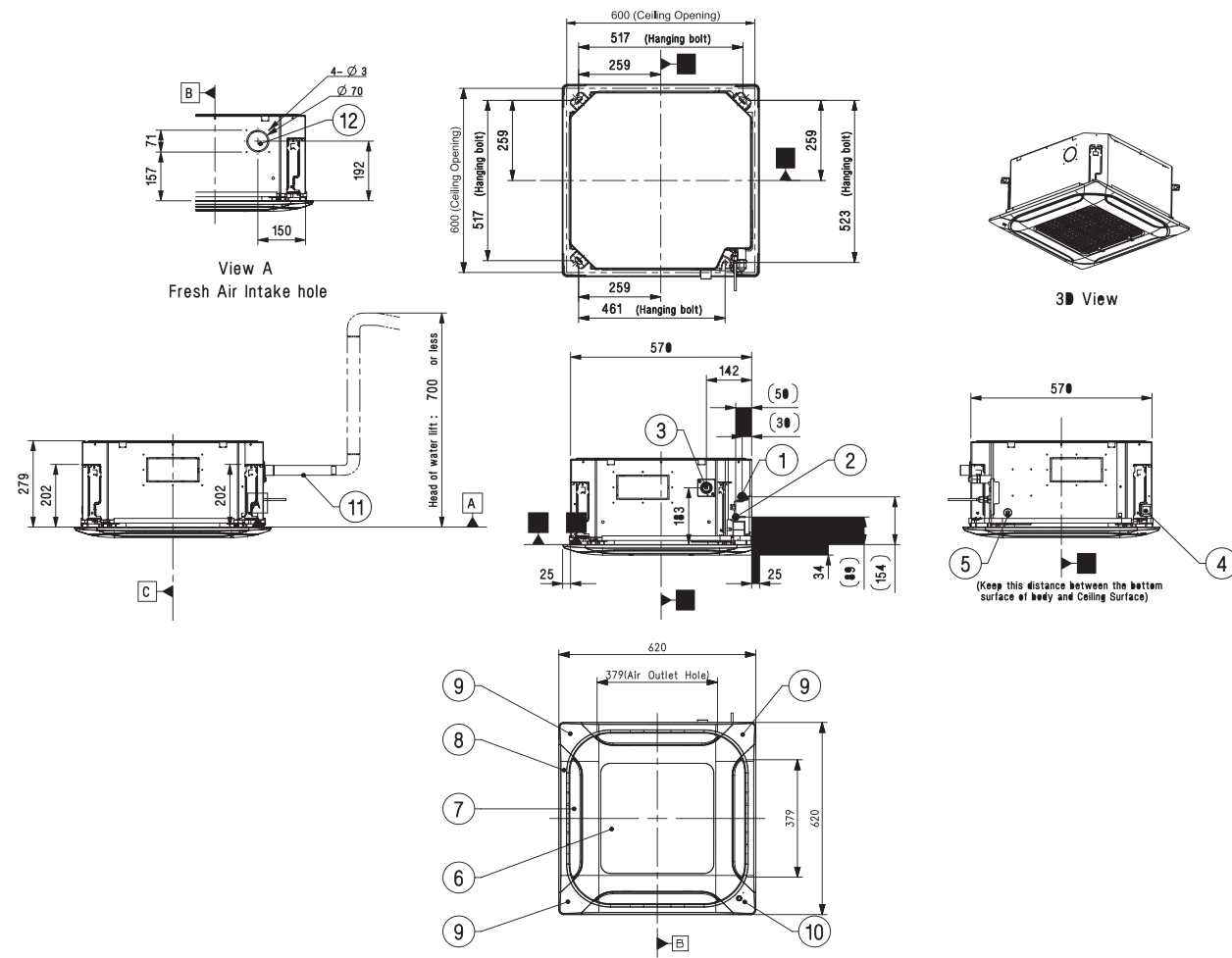
* No case for PDRYCB510

H-INVERTER (R32)

UT09FH NQ0 / UT12FH NQ0

(Unit : mm)

PART NAME	
1	Gas Pipe Connection
2	Liquid Pipe Connection
3	Drain Pipe Connection
4	Power and Communication Cable Routing Hole
5	Wired Remote Controller Wire Routing Hole
6	Air Inlet
7	Air Outlet
8	Decoration Panel (Accessory)
9	Decoration Corner Cover
10	Decoration Corner Display Cover
11	Flexible Drain Hose
12	Fresh air Intake Hole

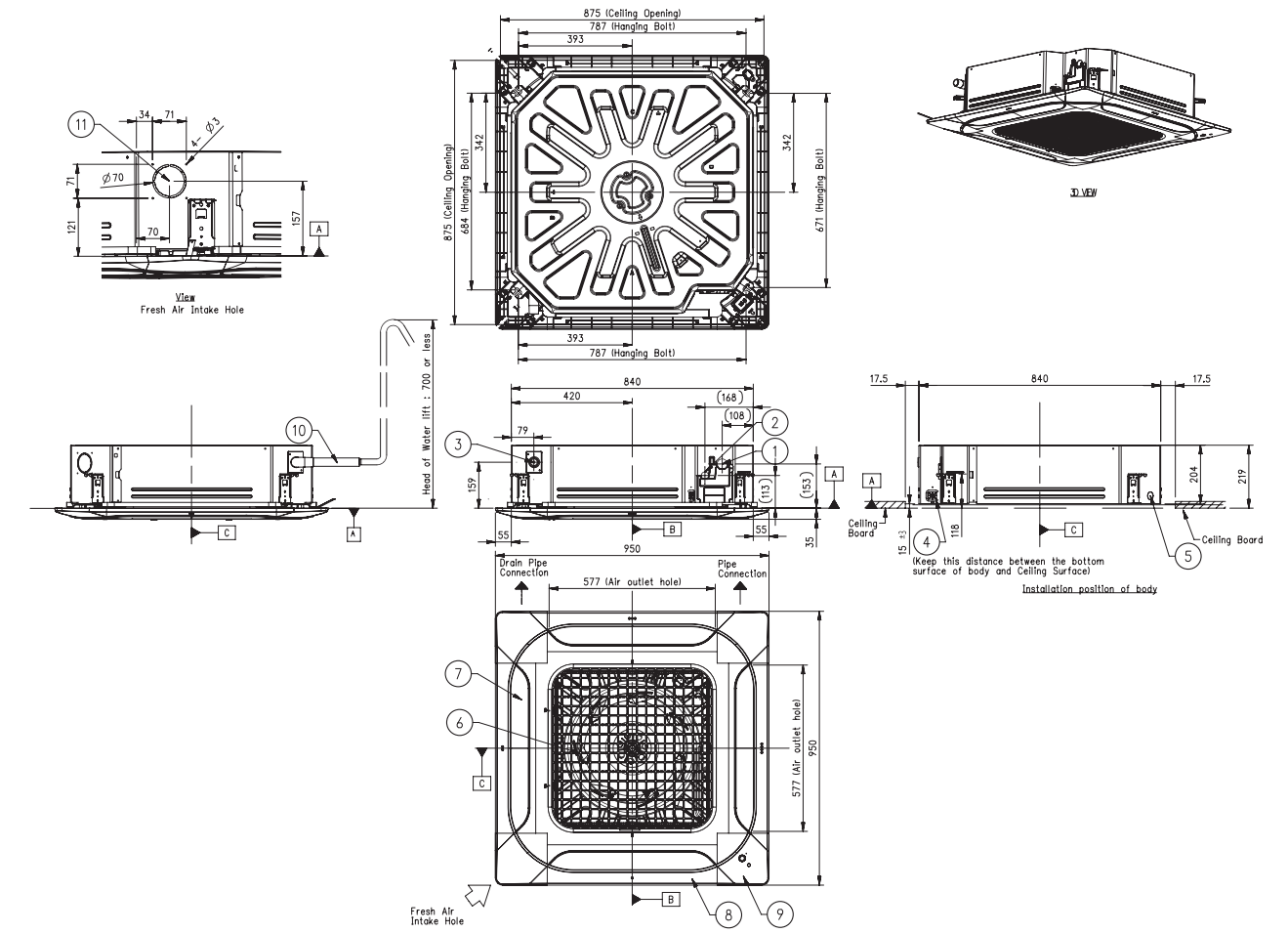


H-INVERTER (R32)

UT18FH NB0

(Unit : mm)

PART NAME	
1	Gas Pipe Connection
2	Liquid Pipe Connection
3	Drain Pipe Connection
4	Power and Communication Cable Routing Hole
5	Wired Remote Controller Wire Routing Hole
6	Air Inlet
7	Air Outlet
8	Decoration Panel (Accessory)
9	Decoration Corner Cover
10	Decoration Corner Display Cover
11	Flexible Drain Hose

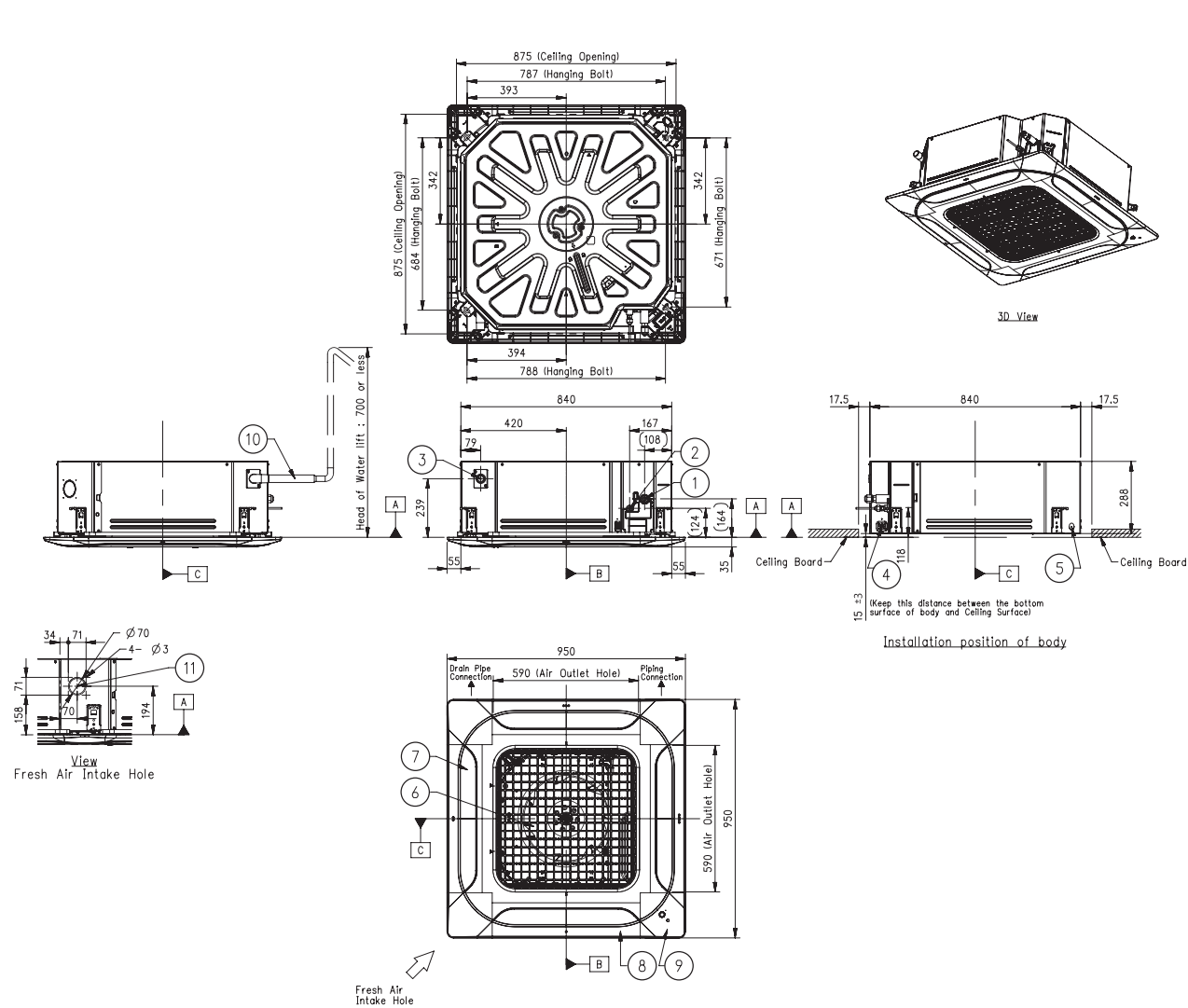


H-INVERTER (R32)

UT24FH NAO / UT30FH NAO / UT36FH NAO / UT42FH NAO
UT48FH NAO / UT60FH NAO

(Unit : mm)

PART NAME	
1	Gas Pipe Connection
2	Liquid Pipe Connection
3	Drain Pipe Connection
4	Power and Communication Cable Routing Hole
5	Wired Remote Controller Wire Routing Hole
6	Air Inlet
7	Air Outlet
8	Decoration Panel (Accessory)
9	Decoration Corner Cover
10	Flexible Drain Hose
11	Fresh Air Intake Hole

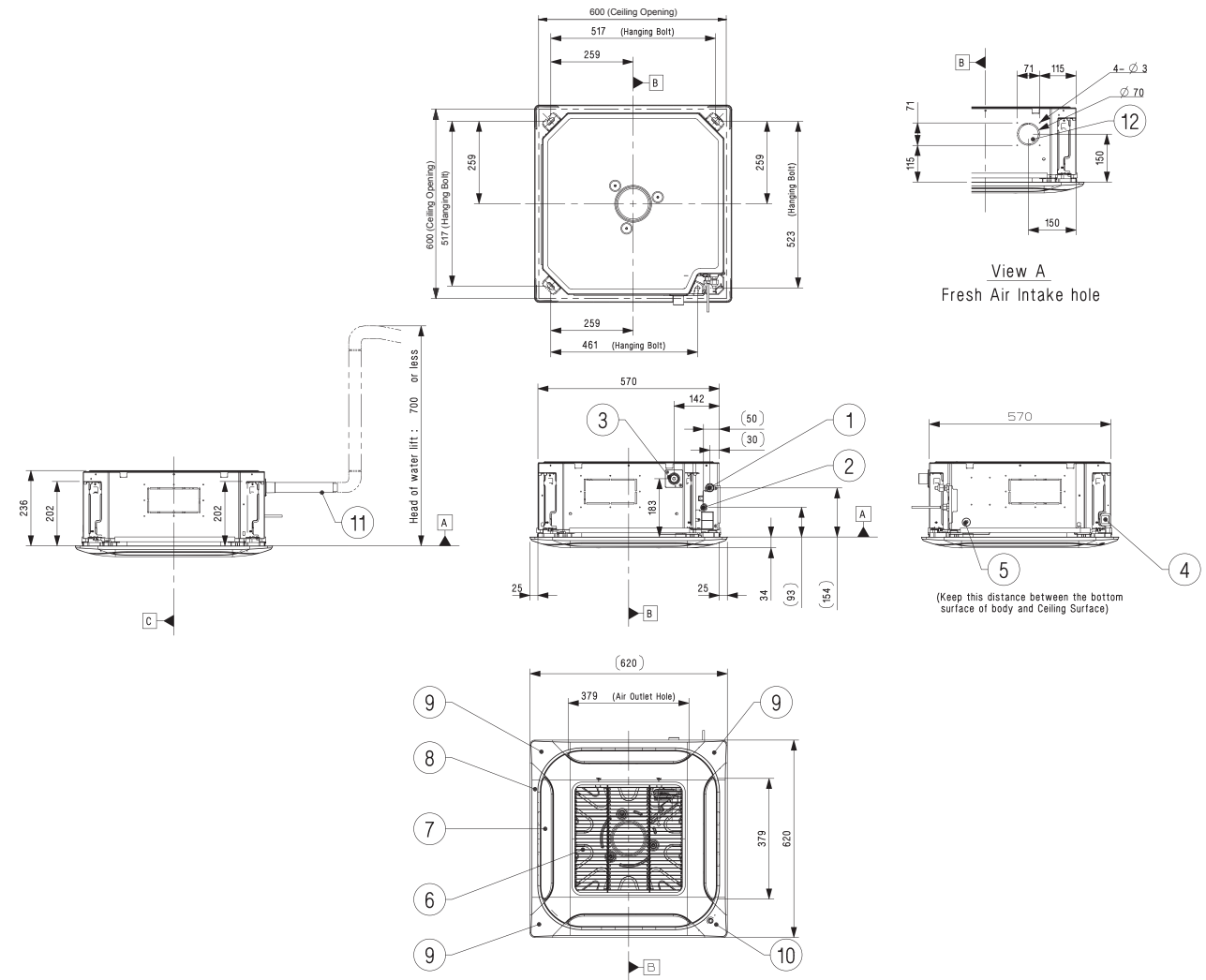


STANDARD INVERTER (R32)

CT09F NR0 / CT12F NR0

(Unit : mm)

PART NAME	
1	Gas Pipe Connection
2	Liquid Pipe Connection
3	Drain Pipe Connection
4	Power and Communication Cable Routing Hole
5	Wired Remote Controller Wire Routing Hole
6	Air Inlet
7	Air Outlet
8	Decoration Panel (Accessory)
9	Decoration Corner Cover
10	Decoration Corner Display Cover
11	Flexible Drain Hose
12	Fresh air Intake Hole

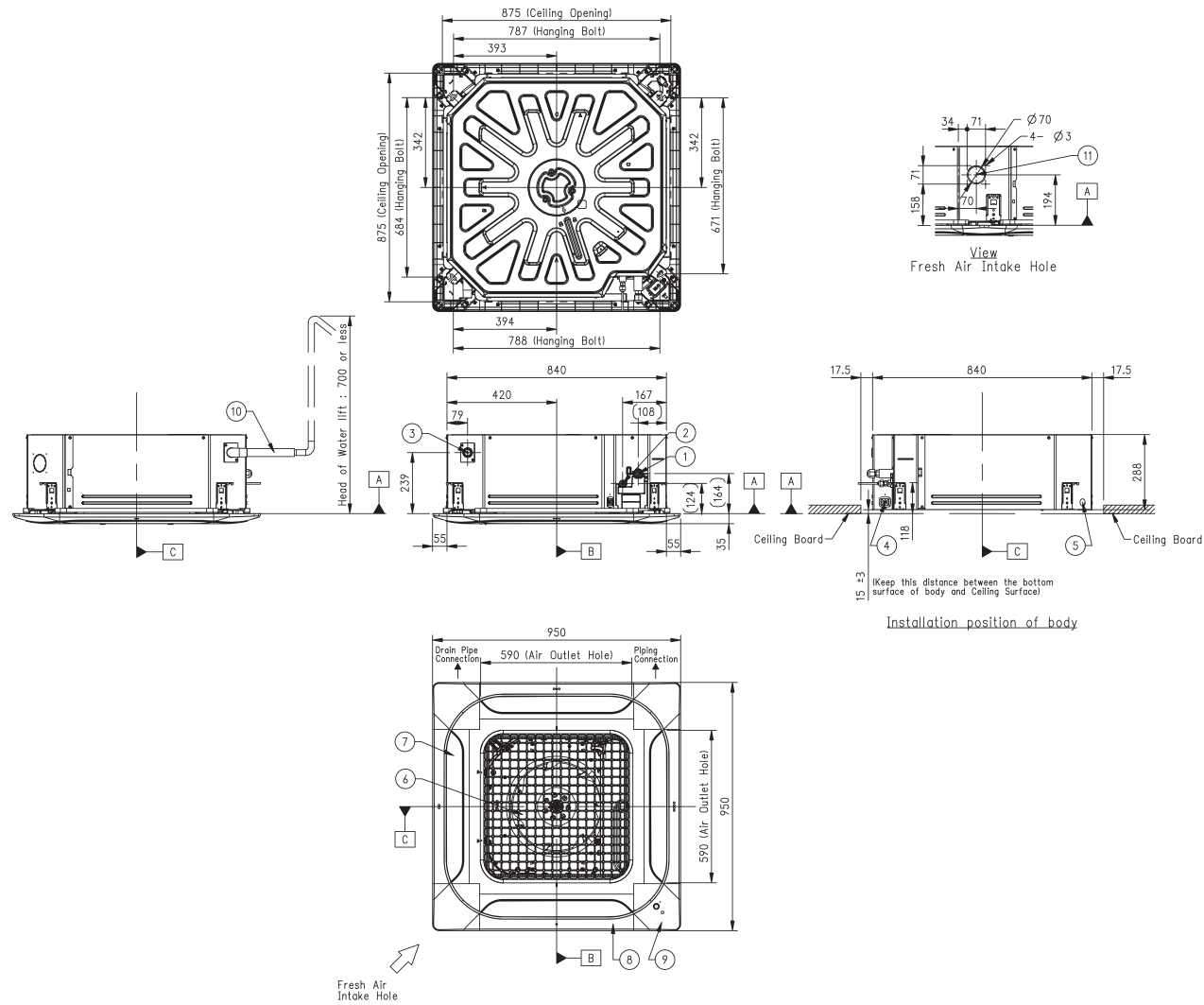


STANDARD / COMPACT INVERTER (R32)

UT36F NAO

(Unit : mm)

	PART NAME
1	Gas Pipe Connection
2	Liquid Pipe Connection
3	Drain Pipe Connection
4	Power and Communication Cable Routing Hole
5	Wired Remote Controller Wire Routing Hole
6	Air Inlet
7	Air Outlet
8	Decoration Panel (Accessory)
9	Decoration Corner Cover
10	Flexible Drain Hose
11	Fresh Air Intake Hole

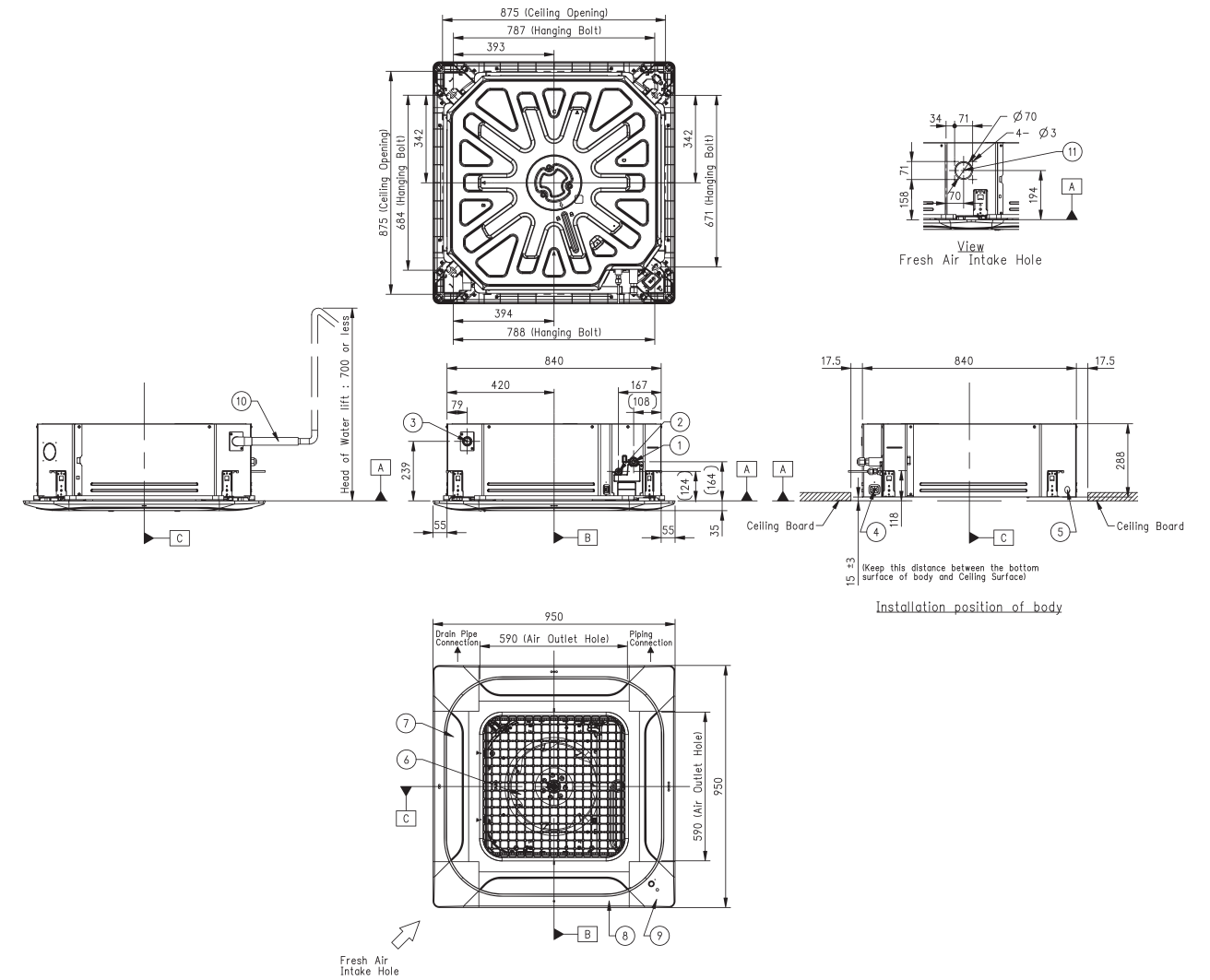


STANDARD INVERTER (R32)

UT42F NAO / UT48F NAO / UT60F NAO

(Unit : mm)

	PART NAME
1	Gas Pipe Connection
2	Liquid Pipe Connection
3	Drain Pipe Connection
4	Power and Communication Cable Routing Hole
5	Wired Remote Controller Wire Routing Hole
6	Air Inlet
7	Air Outlet
8	Decoration Panel (Accessory)
9	Decoration Corner Cover
10	Flexible Drain Hose
11	Fresh Air Intake Hole

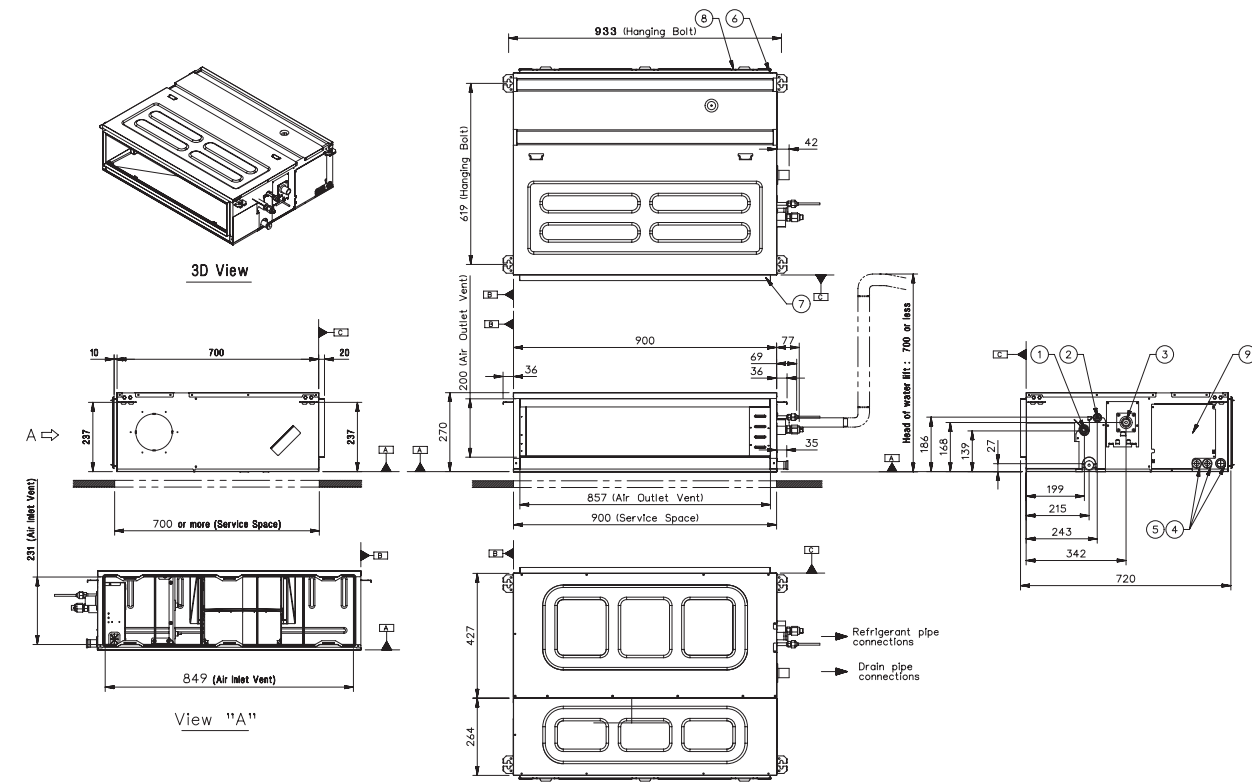


H-INVERTER (R32) / MID STATIC

UM12FH N10 / UM18FH N10

(Unit : mm)

	PART NAME
1	Gas Pipe Connection
2	Liquid Pipe Connection
3	Drain Pipe Connection
4	Power and Communication Cable Routing Hole
5	Remote Controller Cable Hole
6	Air Inlet
7	Air Outlet
8	Air Filters
9	Control Cover

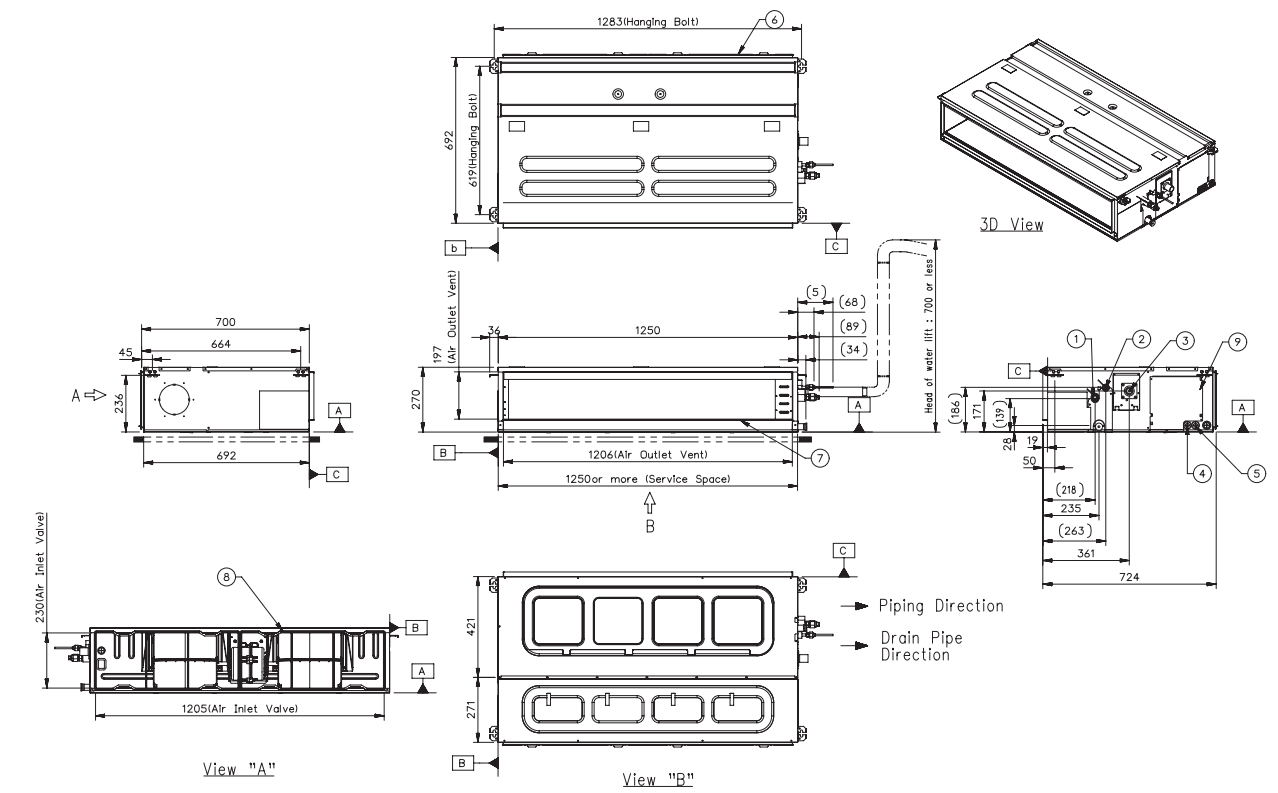


H-INVERTER (R32) / MID STATIC

UM24FH N20 / UM30FH N20

(Unit : mm)

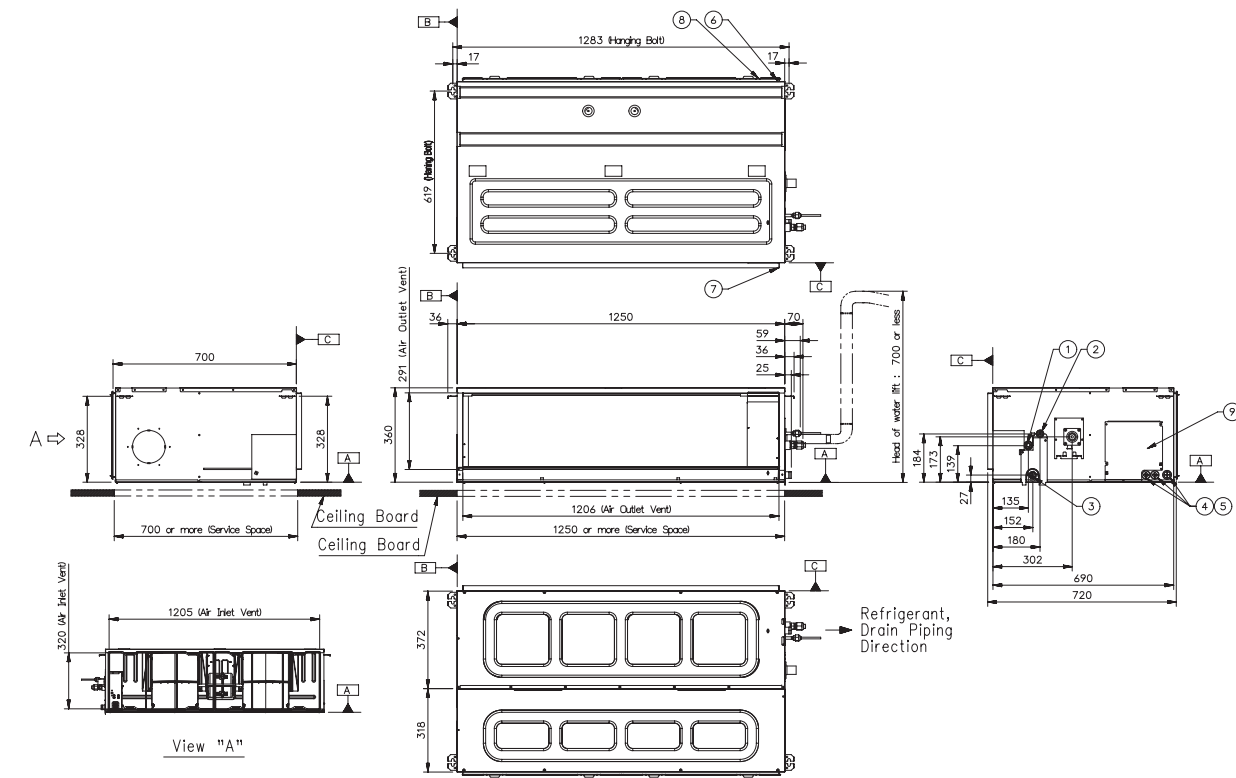
	PART NAME
1	Gas Pipe Connection
2	Liquid Pipe Connection
3	Drain Pipe Connection
4	Power and Communication Cable Routing Hole
5	Remote Controller Cable Hole
6	Air Inlet
7	Air Outlet
8	Air Filters
9	Control Cover



H-INVERTER (R32) / MID STATIC
UM36FH N30 / UM42FH N30 / UM48FH N30

(Unit : mm)

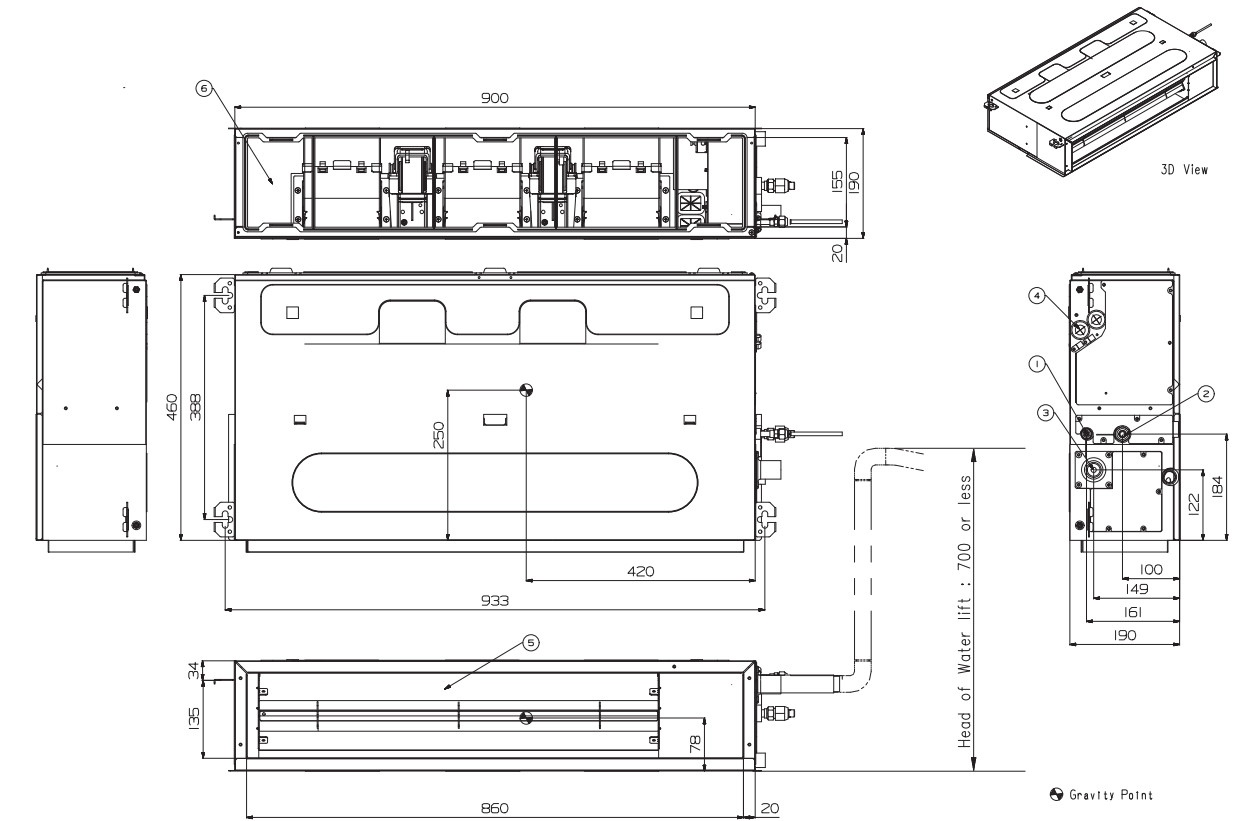
PART NAME
1 Gas Pipe Connection
2 Liquid Pipe Connection
3 Drain Pipe Connection
4 Power and Communication Cable Routing Hole
5 Remote Controller Cable Hole
6 Air Inlet
7 Air Outlet
8 Air Filters
9 Control Cover



H-INVERTER (R32) / LOW STATIC
UL12FH N50

(Unit : mm)

PART NAME
1 Liquid Pipe Connection
2 Gas Pipe Connection
3 Drain Pipe Connection
4 Power supply Connection
5 Air Discharge
6 Air Suction

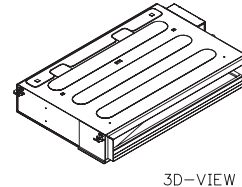
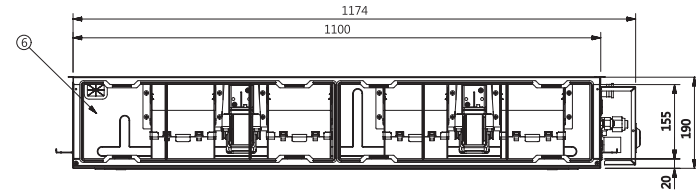


H-INVERTER (R32) / LOW STATIC

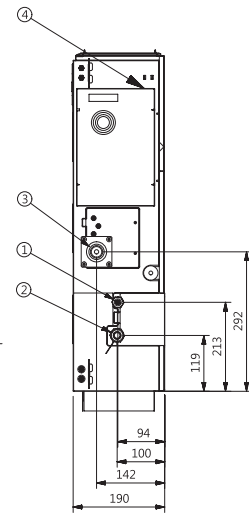
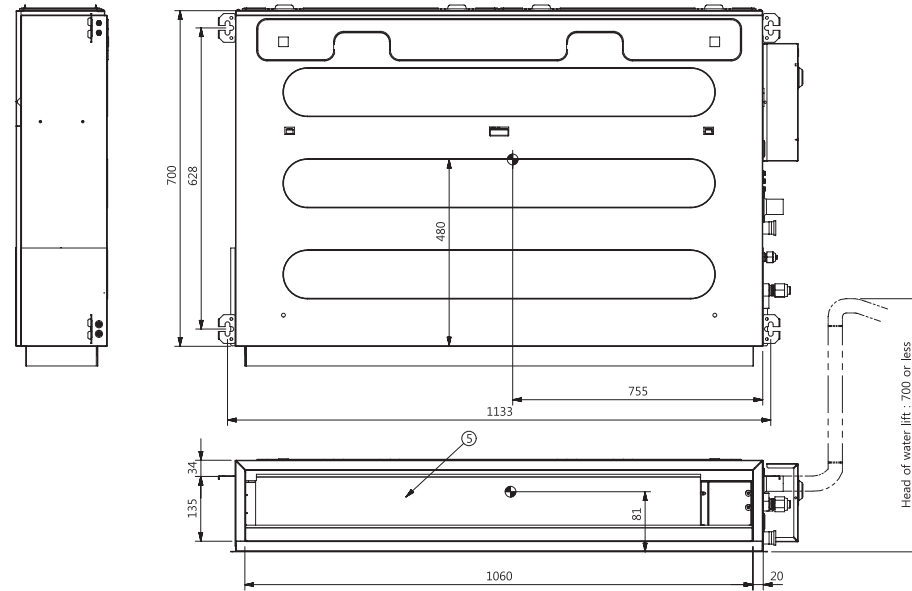
UL18FH N30

(Unit : mm)

PART NAME	
1	Liquid Pipe Connection
2	Gas Pipe Connection
3	Drain Pipe Connection
4	Power supply Connection
5	Air Discharge
6	Air Suction



3D-VIEW



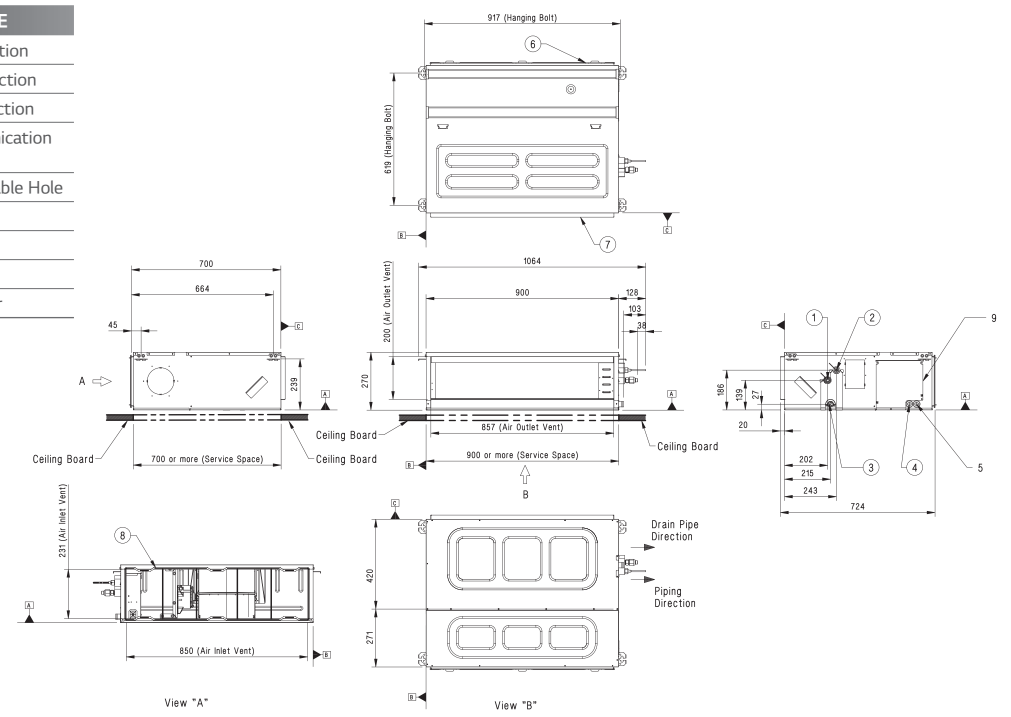
● Gravity point

STANDARD / COMPACT INVERTER (R32) / MID STATIC

CM18F N10 / CM24F N10 / UM30F N10

(Unit : mm)

PART NAME	
1	Gas Pipe Connection
2	Liquid Pipe Connection
3	Drain Pipe Connection
4	Power and Communication Cable Hole
5	Remote Controller Cable Hole
6	Air Inlet
7	Air Outlet
8	Air Filters
9	Control Cover

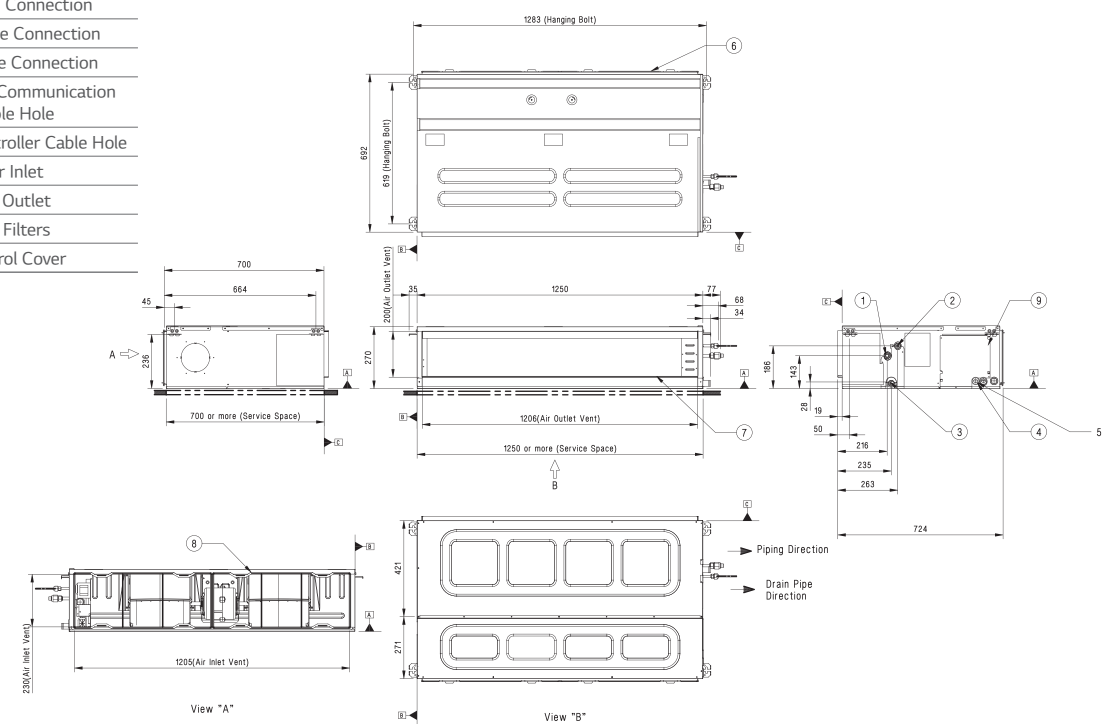


STANDARD / COMPACT INVERTER (R32) / MID STATIC

UM36F N20

(Unit : mm)

PART NAME	
1	Gas Pipe Connection
2	Liquid Pipe Connection
3	Drain Pipe Connection
4	Power and Communication Cable Hole
5	Remote Controller Cable Hole
6	Air Inlet
7	Air Outlet
8	Air Filters
9	Control Cover

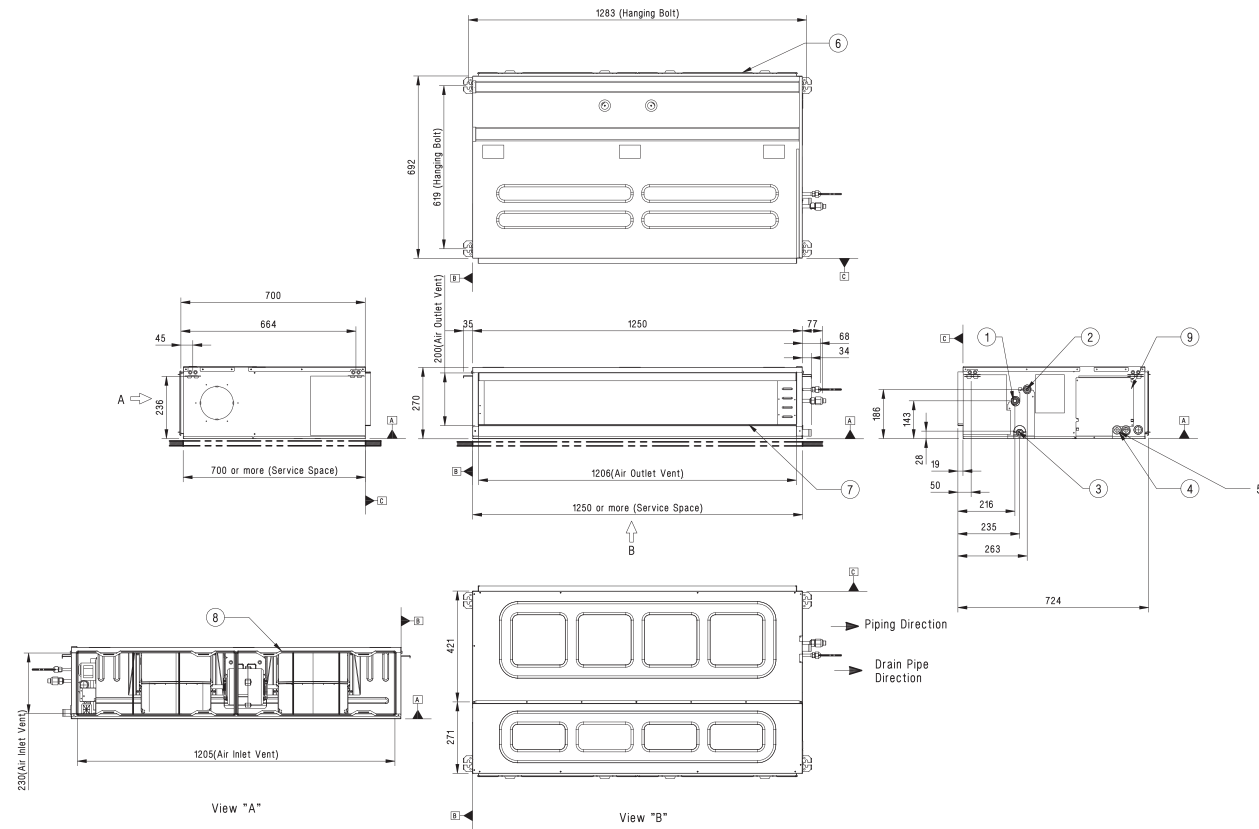


STANDARD INVERTER (R32) / MID STATIC

UM42F N20

(Unit : mm)

PART NAME
1 Gas Pipe Connection
2 Liquid Pipe Connection
3 Drain Pipe Connection
4 Power and Communication Cable Hole
5 Remote Controller Cable Hole
6 Air Inlet
7 Air Outlet
8 Air Filters
9 Control Cover

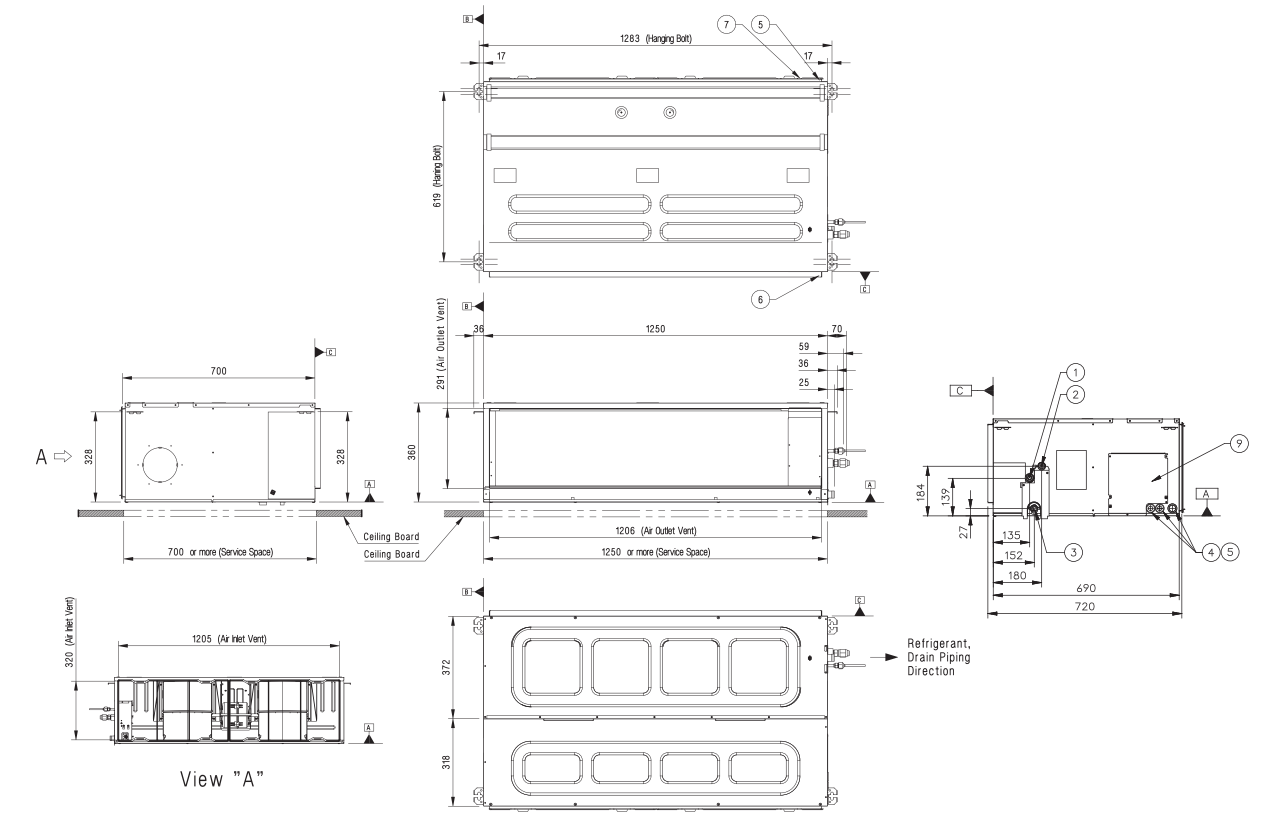


STANDARD INVERTER (R32) / MID STATIC

UM48F N30 / UM60F N30

(Unit : mm)

PART NAME
1 Gas Pipe Connection
2 Liquid Pipe Connection
3 Drain Pipe Connection
4 Power and Communication Cable Hole
5 Remote Controller Cable Hole
6 Air Inlet
7 Air Outlet
8 Air Filters
9 Control Cover

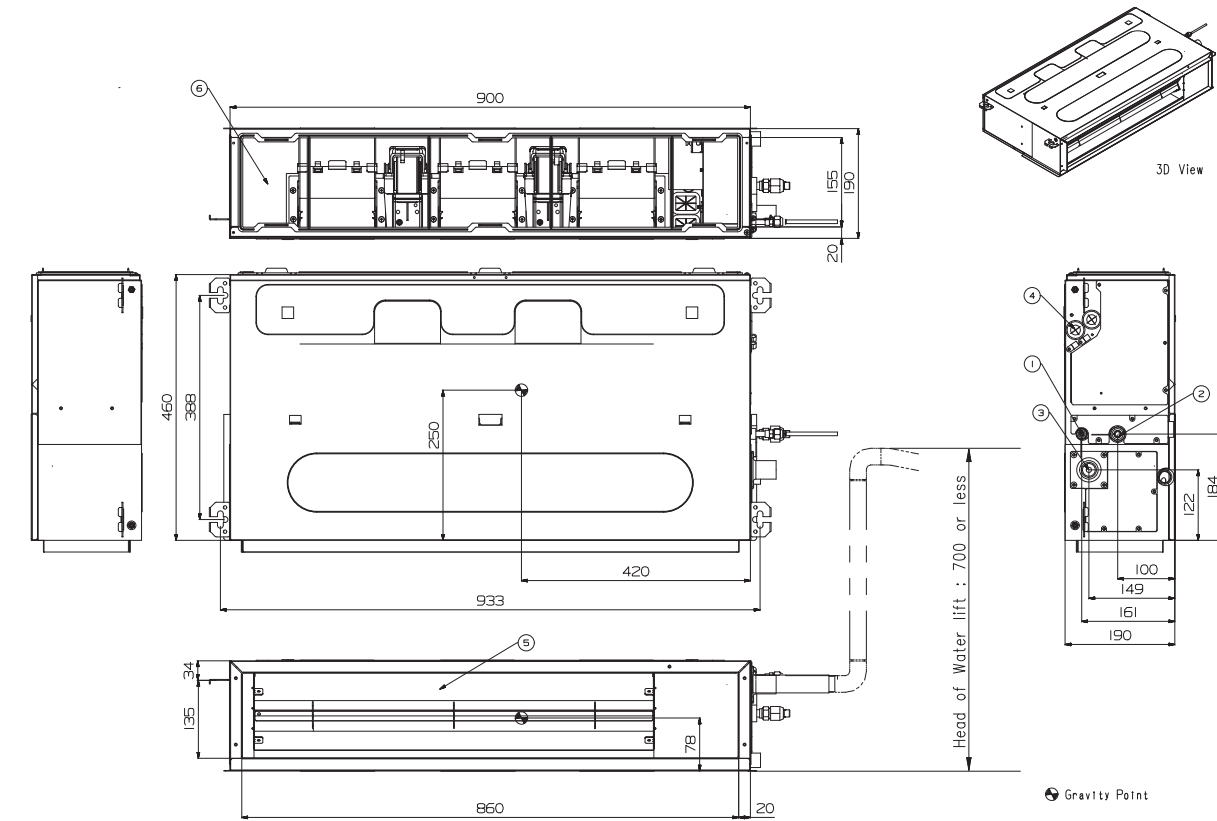


STANDARD INVERTER (R32) / LOW STATIC

CL09F N50 / CL12F N50

(Unit : mm)

	PART NAME
1	Liquid Pipe Connection
2	Gas Pipe Connection
3	Drain Pipe Connection
4	Power Supply Connection
5	Air Discharge
6	Air Suction

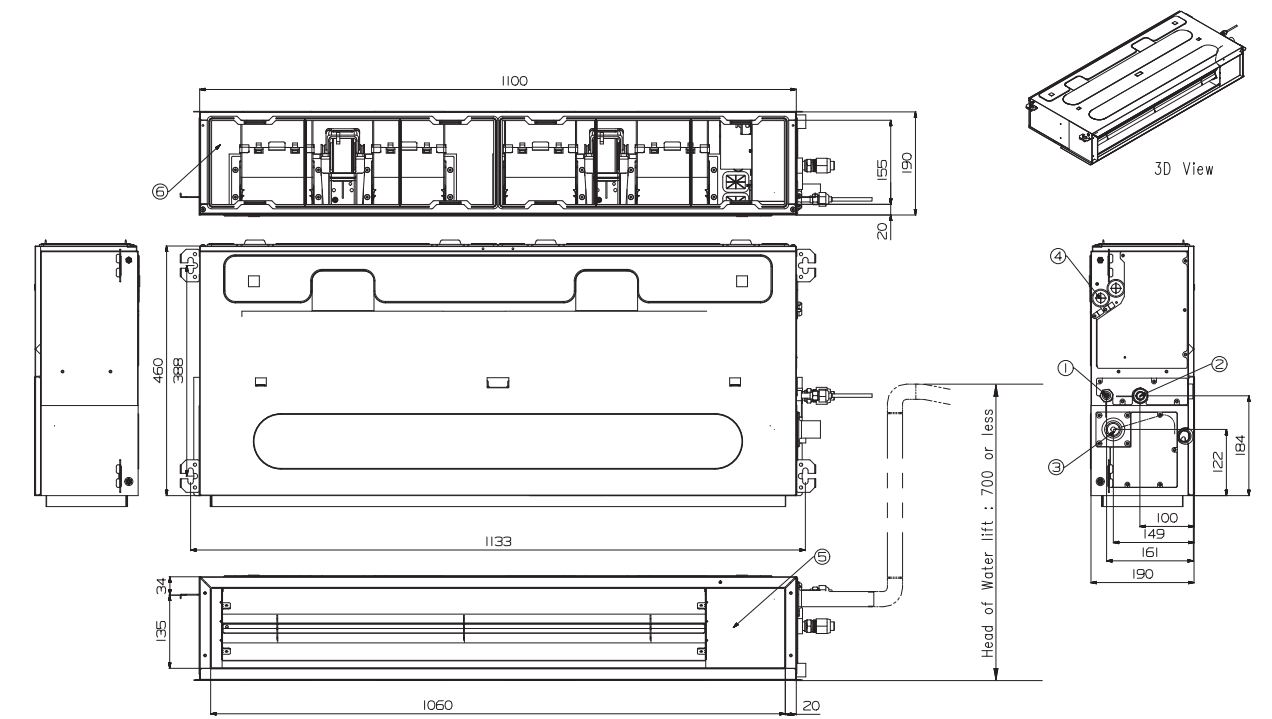


STANDARD / COMPACT INVERTER (R32) / LOW STATIC

CL18F N60

(Unit : mm)

	PART NAME
1	Liquid Pipe Connection
2	Gas Pipe Connection
3	Drain Pipe Connection
4	Power Supply Connection
5	Air Discharge
6	Air Suction

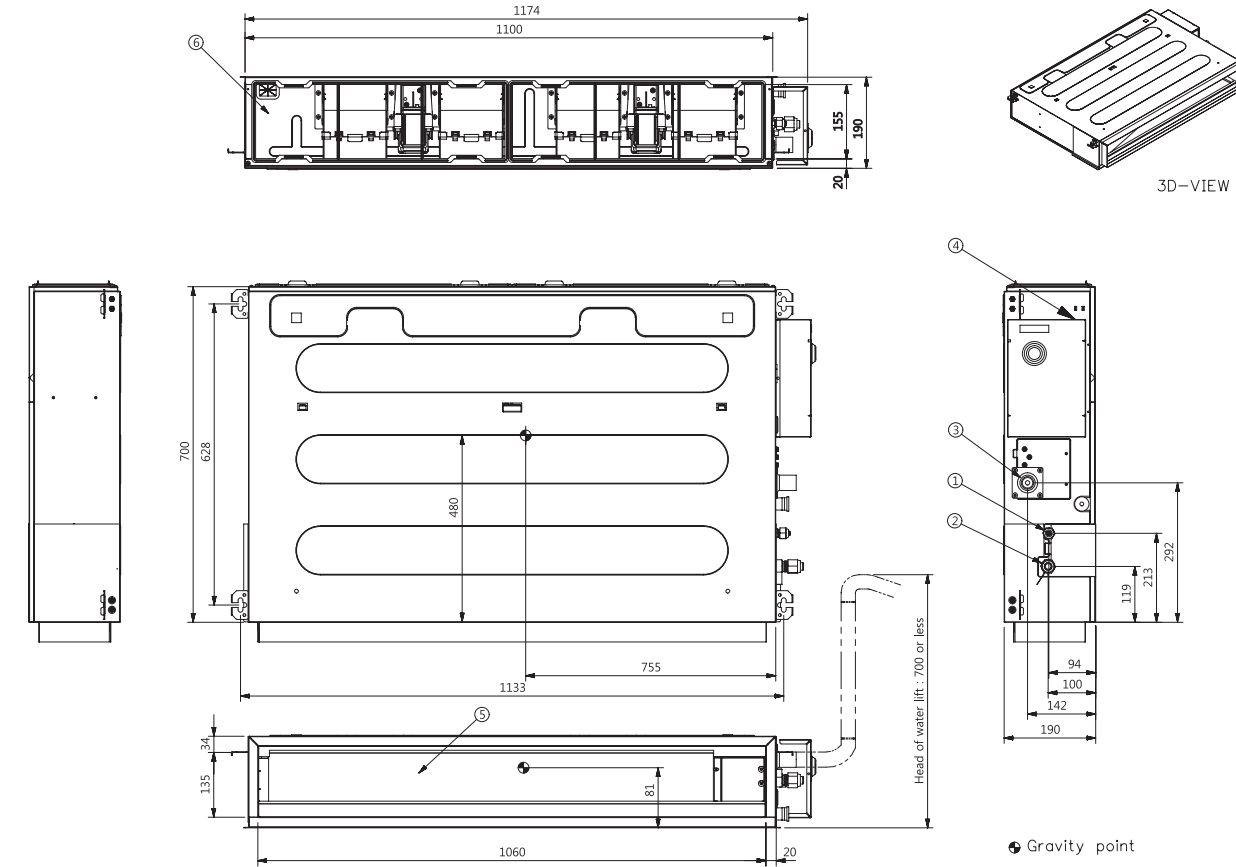


STANDARD / COMPACT INVERTER (R32) / LOW STATIC

CL24F N30

(Unit : mm)

PART NAME	
1	Liquid Pipe Connection
2	Gas Pipe Connection
3	Drain Pipe Connection
4	Power Supply Connection
5	Air Discharge
6	Air Suction

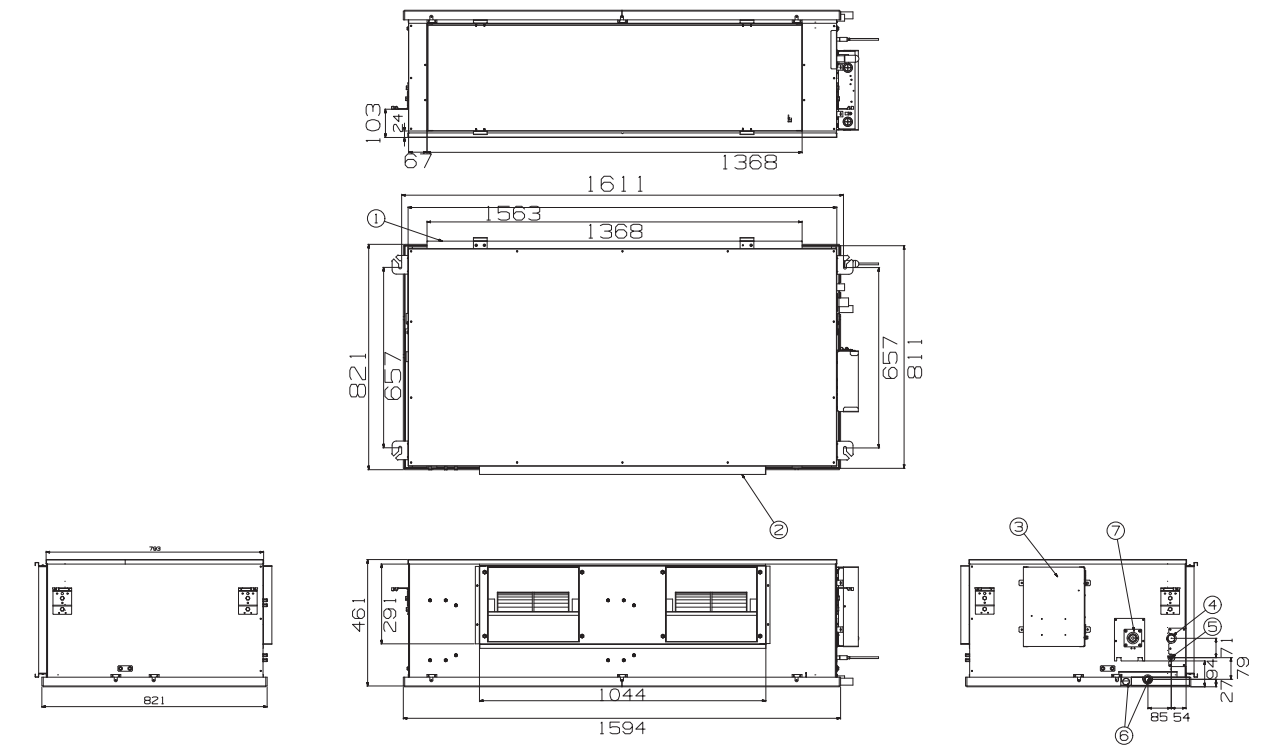


STANDARD INVERTER (R410A) / HIGH STATIC

UB70 N95 / UB85 N95

(Unit : mm)

PART NAME	
1	Air Suction Flange
2	Air Discharge Flange
3	Control Box
4	Gas Piping Connection
5	Liquid Pipe Connection
6	Drain Pipe Connection
7	Drain Pump (Option)

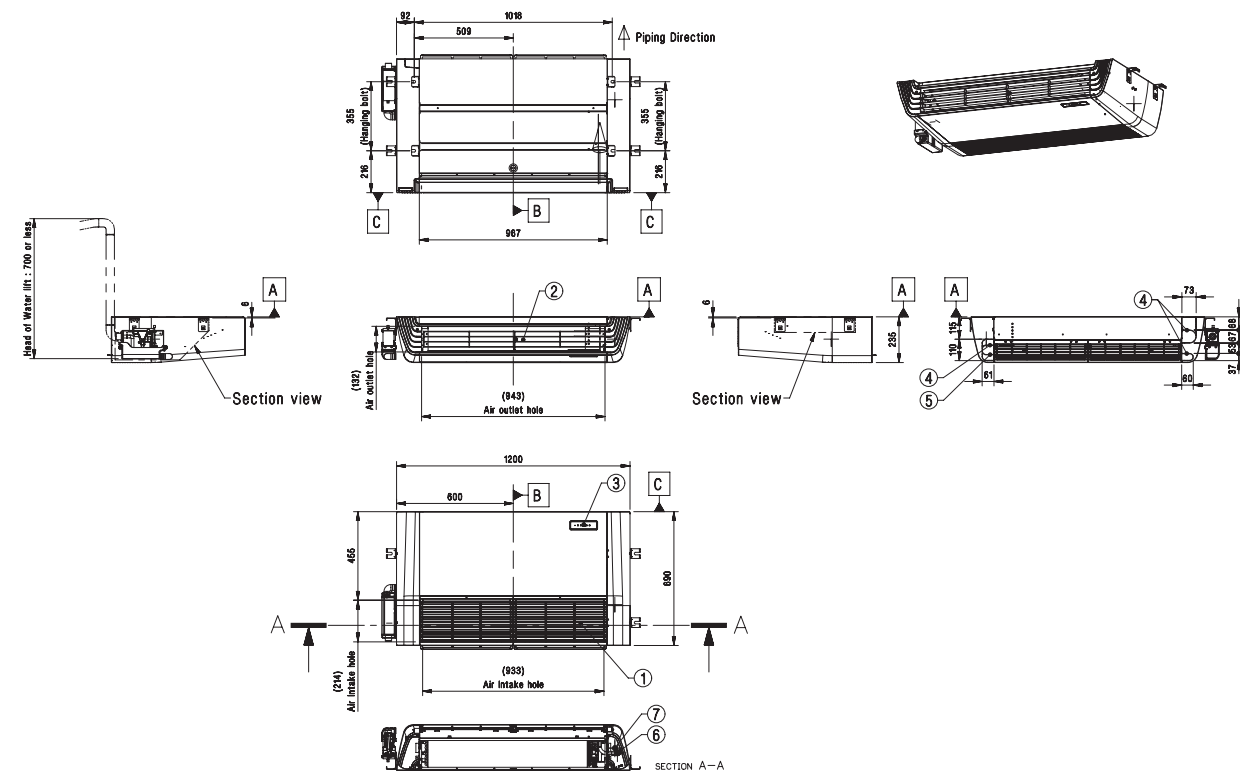


H-INVERTER (R32)

UV18FH N10

(Unit : mm)

PART NAME	
1	Air Inlet
2	Air Outlet
3	Remote Controller Signal Receiver
4	Drain Hose Routing Hole
5	Refrigerant Pipe and Routing Hole
6	Gas Pipe Connection
7	Liquid Pipe Connection

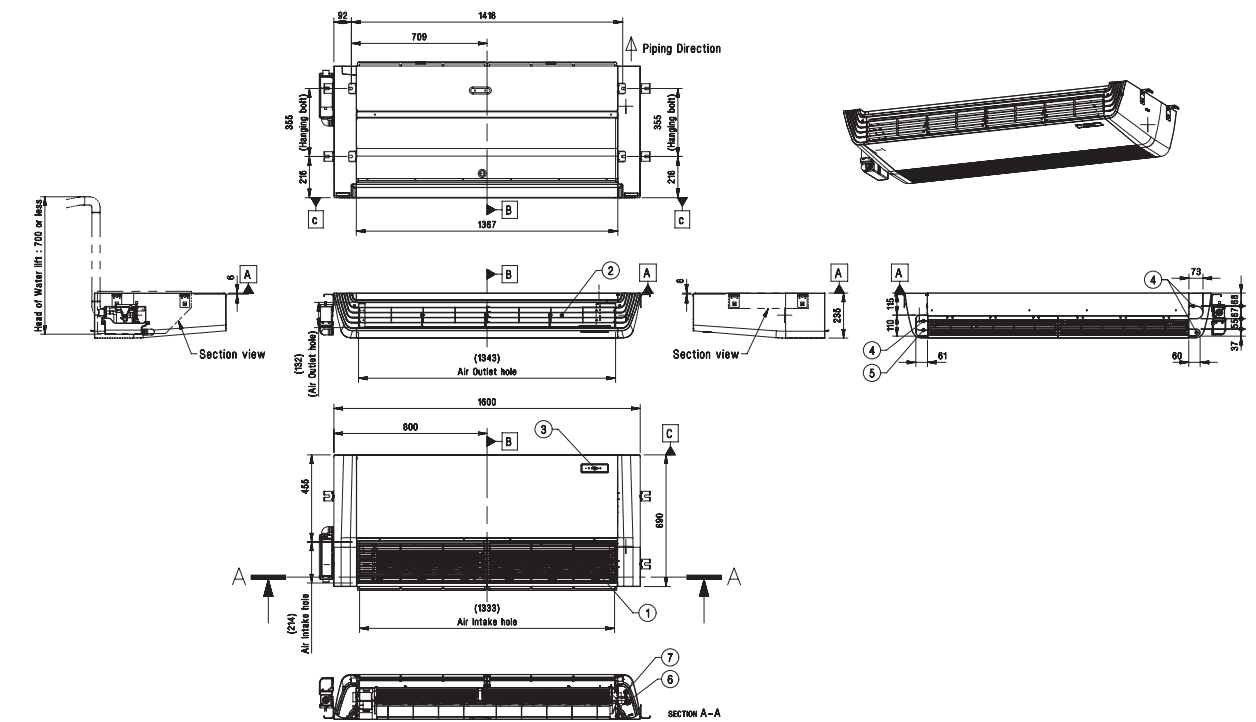


H-INVERTER (R32)

UV24FH N20 / UV30FH N20 / UV36FH N20 / UV42FH N20

(Unit : mm)

PART NAME	
1	Air Inlet
2	Air Outlet
3	Remote Controller Signal Receiver
4	Drain Hose Routing Hole
5	Refrigerant Pipe and Routing Hole
6	Gas Pipe Connection
7	Liquid Pipe Connection

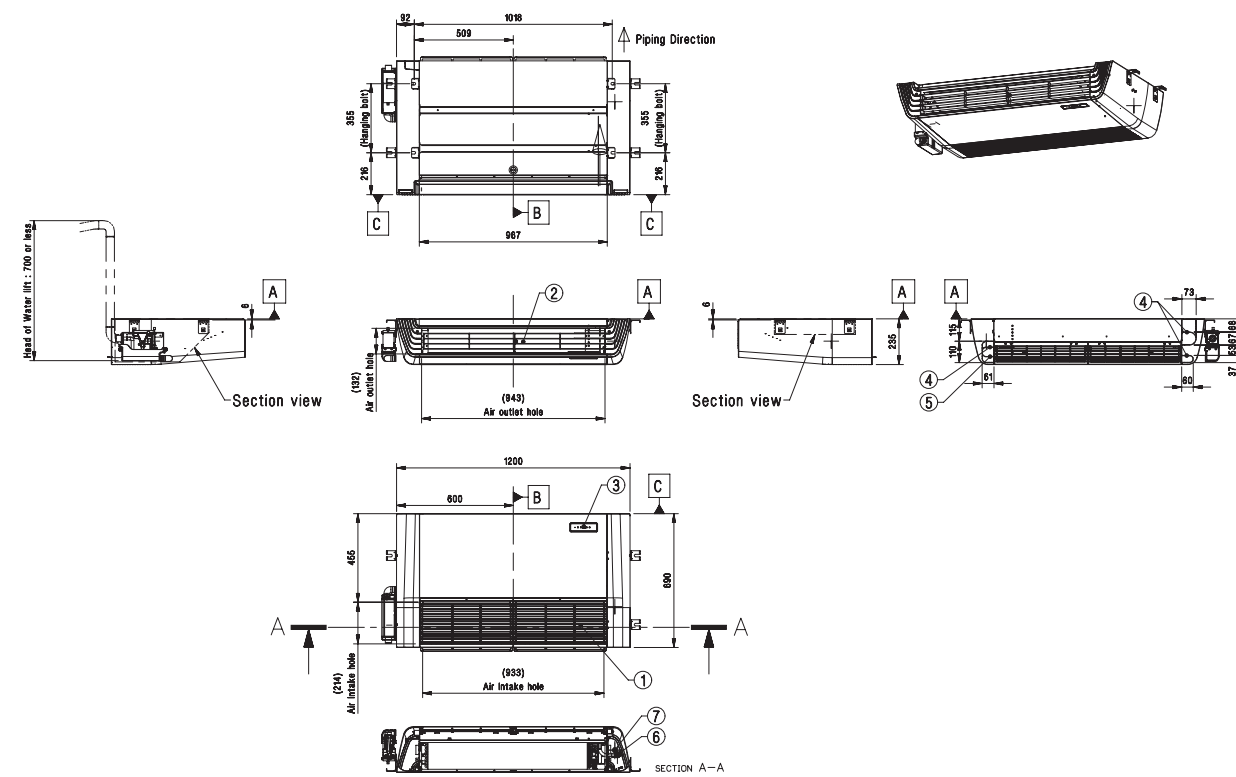


STANDARD / COMPACT INVERTER (R32)

UV18F N10 / UV24F N10 / UV30F N10

(Unit : mm)

PART NAME	
1	Air Inlet
2	Air Outlet
3	Remote Controller Signal Receiver
4	Drain Hose Routing Hole
5	Refrigerant Pipe and Routing Hole
6	Gas Pipe Connection
7	Liquid Pipe Connection

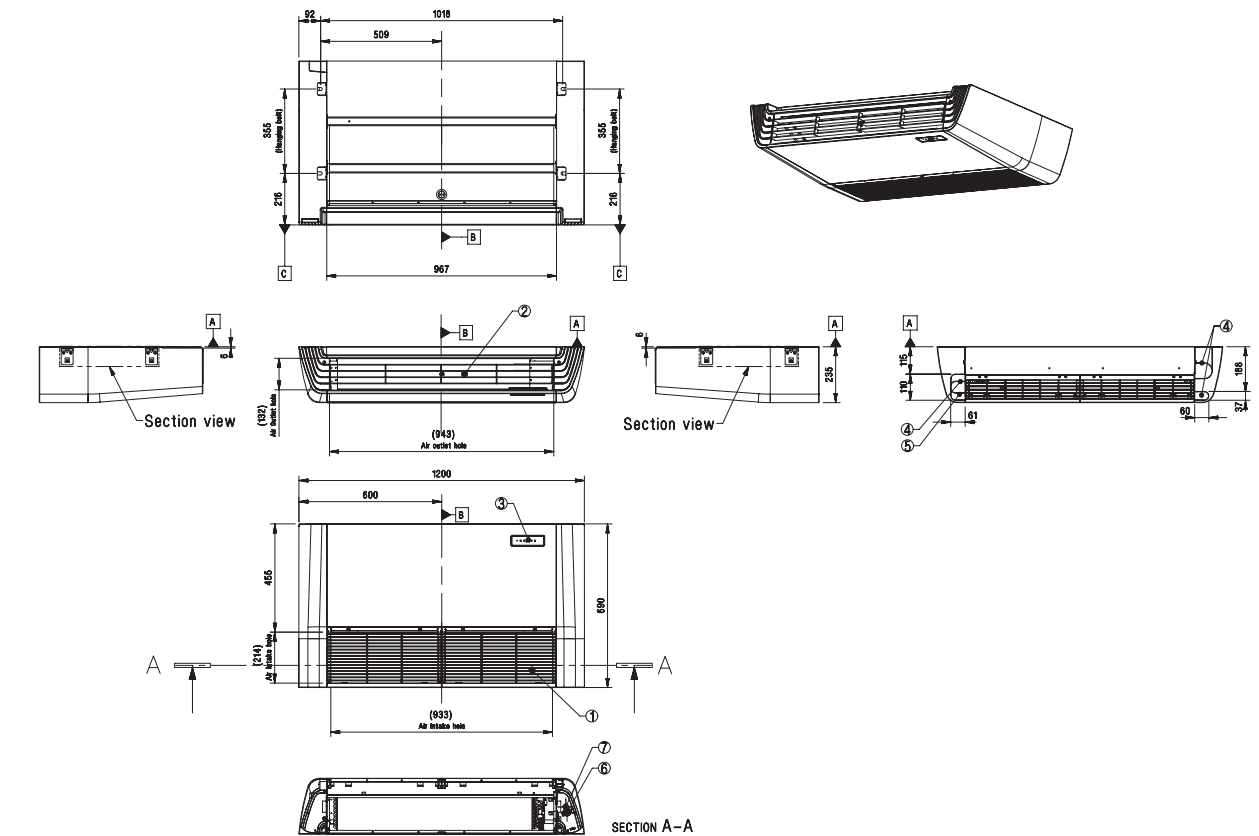


STANDARD INVERTER (R32)

UV36F N20 / UV42F N20 / UV48F N20 / UV60F N20

(Unit : mm)

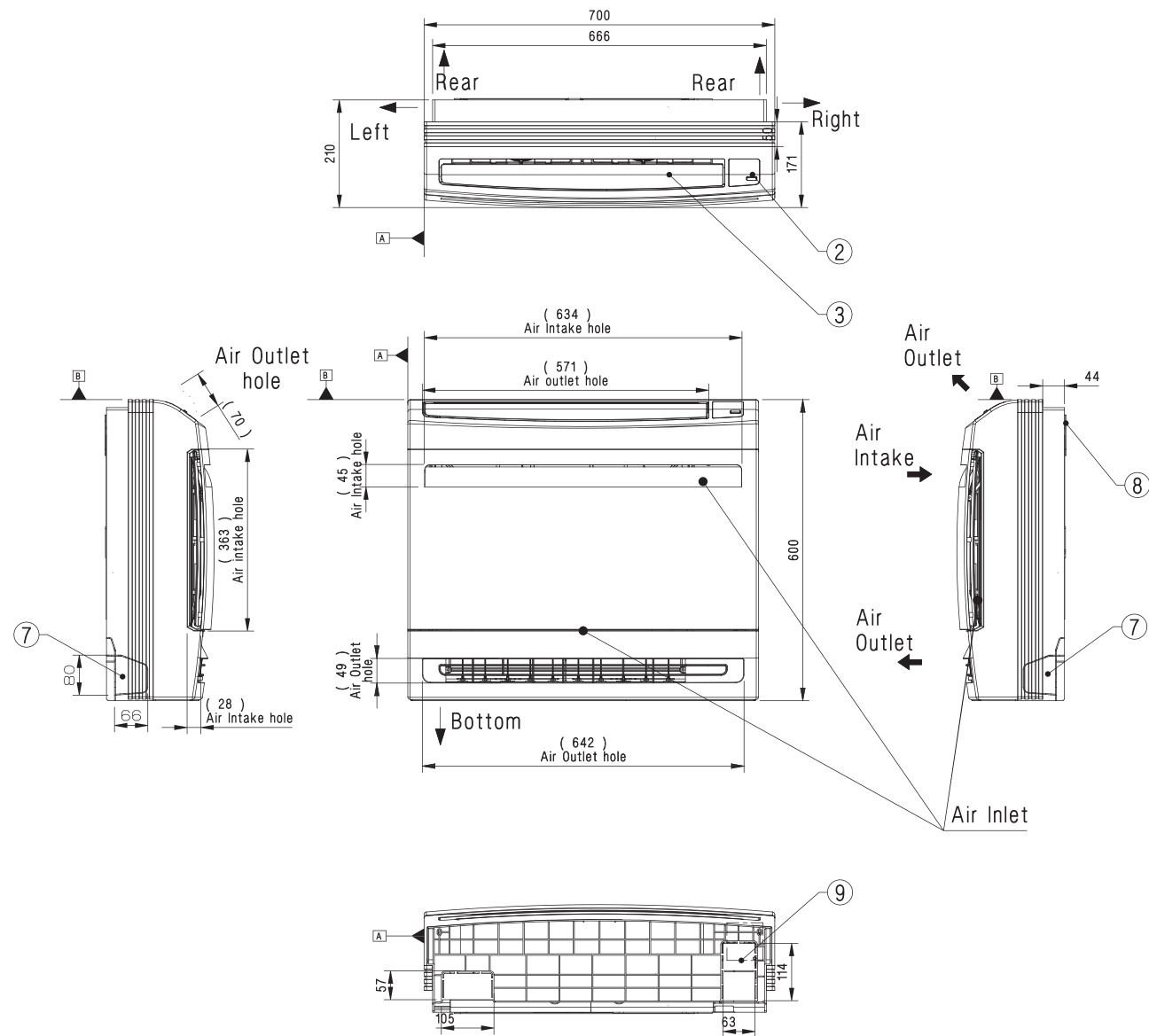
PART NAME	
1	Air Inlet
2	Air Outlet
3	Remote Controller Signal Receiver
4	Drain Hose Routing Hole
5	Refrigerant Pipe and Routing Hole
6	Gas Pipe Connection
7	Liquid Pipe Connection



STANDARD INVERTER (R32)
UQ09 NA0 / UQ12 NA0 / UQ18 NA0

(Unit : mm)

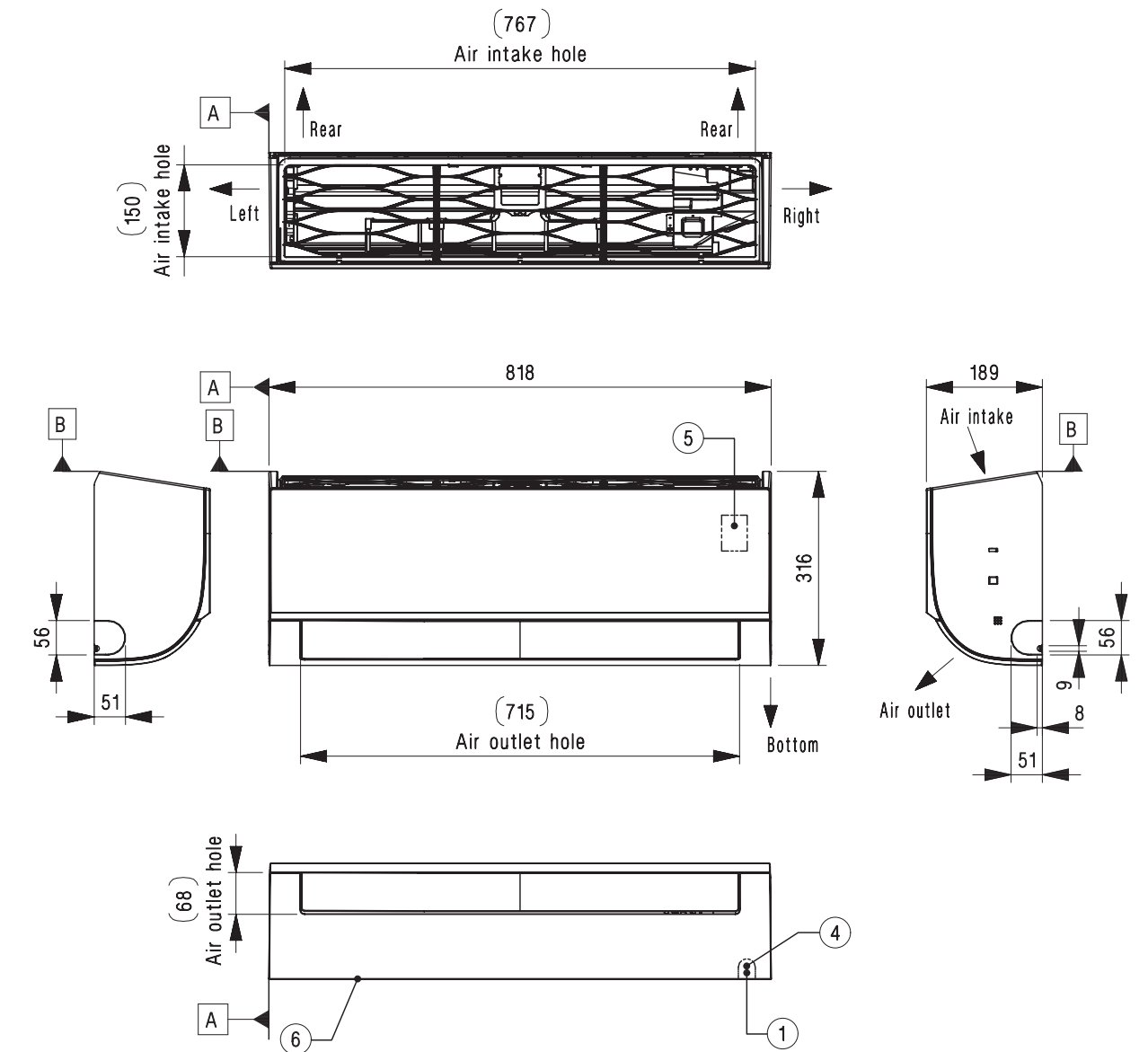
PART NAME
1 Air Suction Grille
2 Remote Controller Signal Receiver
3 Air Discharge Grille
4 Gas Pipe Connection
5 Liquid Pipe Connection
6 Drain Hose Connection
7 Refrigerant / Drain Pipe & Cable Routing Hole
8 Installation Plate
9 Terminal Block for Power Supply & Communication



STANDARD INVERTER (R32)
MJ09PC NSJ / MJ12PC NSJ

(Unit : mm)

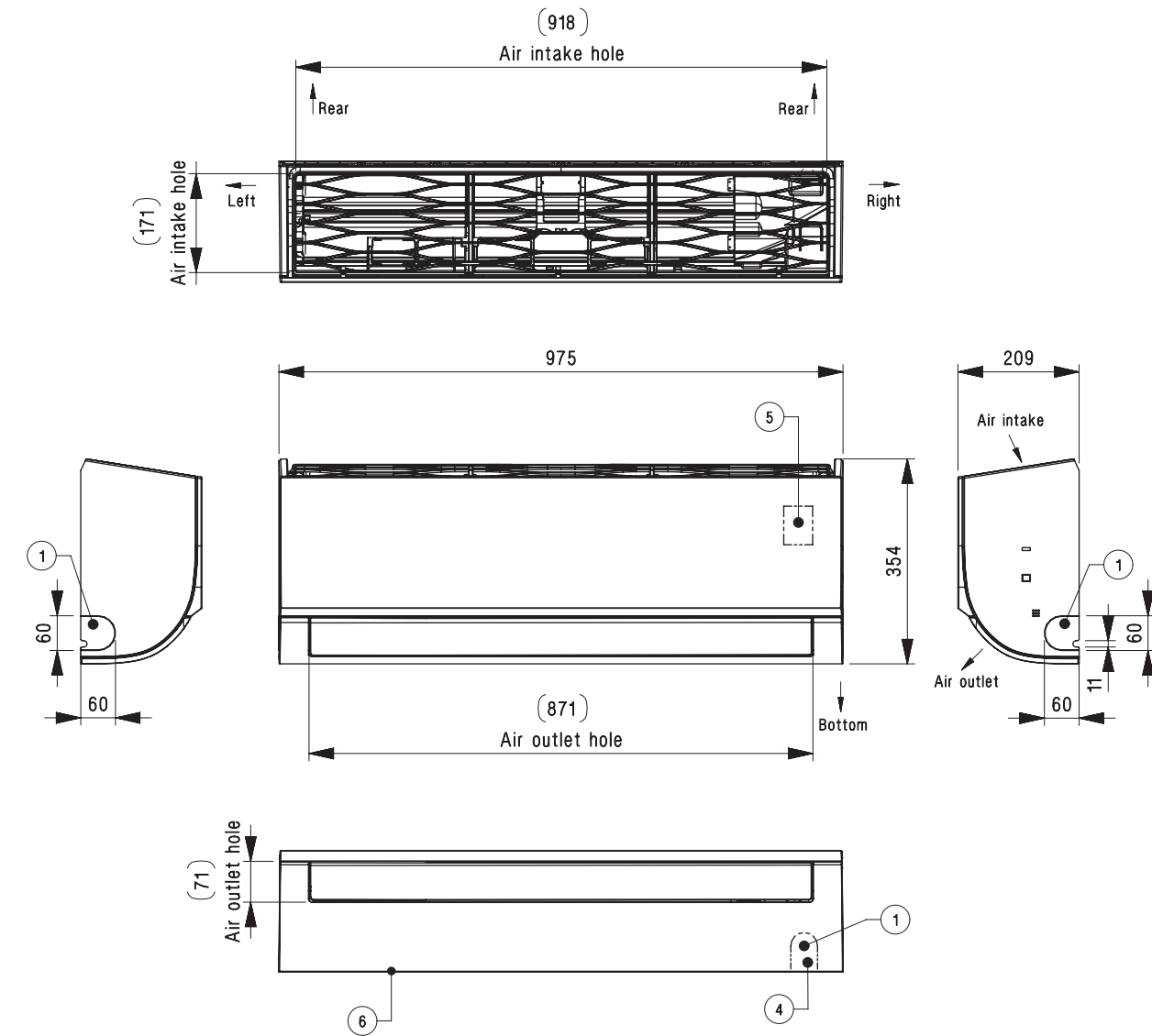
PART NAME
1 Refrigerant / Drain Pipe and Cable Routing Hole
2 Installation Plate
3 Drain Hose Connection
4 Terminal Block for Power Supply Communication
5 Display & Remote Controller Signal Receiver
6 Decoration Cover



STANDARD INVERTER (R32)
MJ18PC NSJ / MJ24PC NSJ

(Unit : mm)

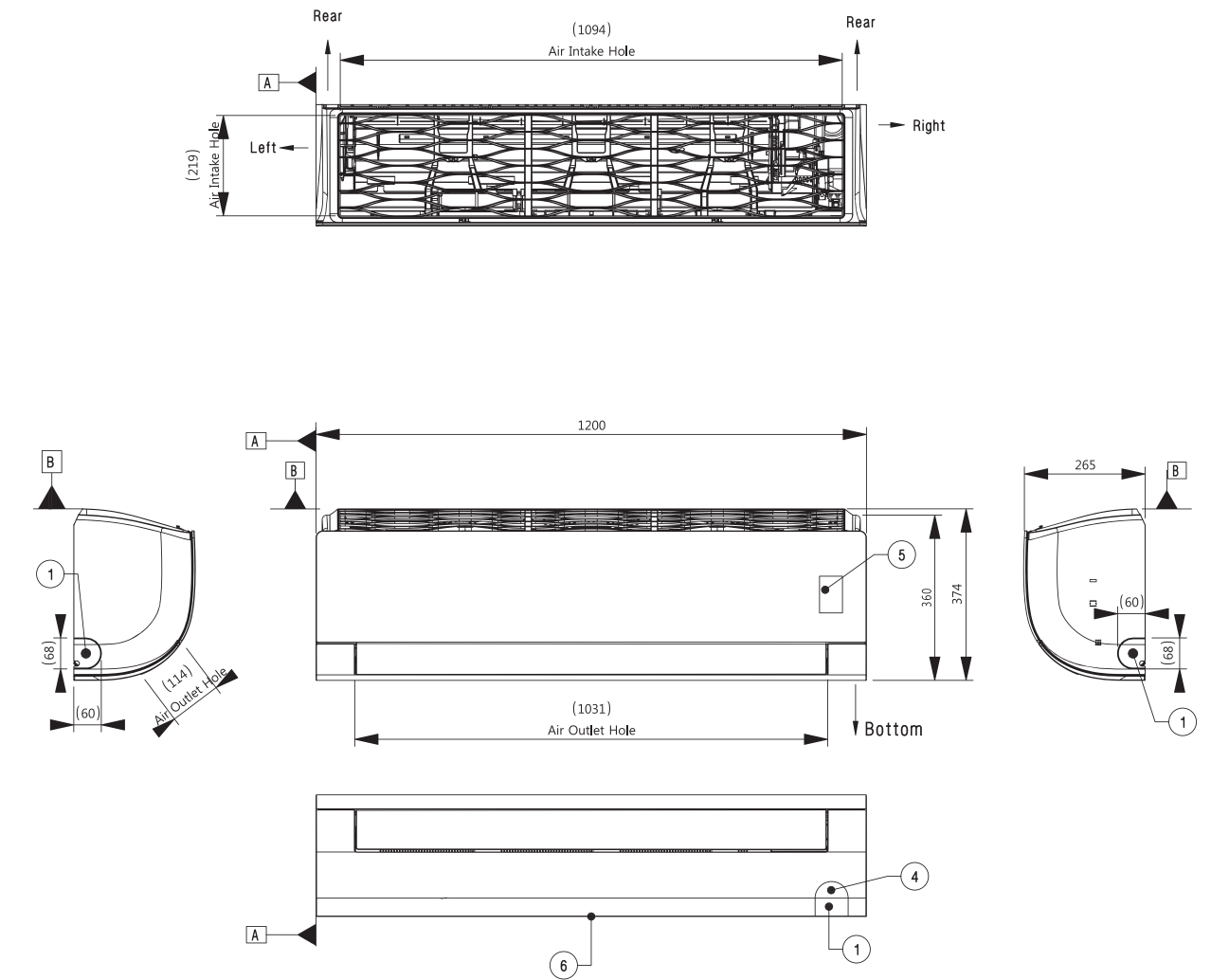
	PART NAME
1	Refrigerant / Drain Pipe and Cabel Routing Hole
2	Installation Plate
3	Drain Hose Connection
4	Terminal Block for Power Supply Communication
5	Display & Remote Controller Signal Receiver
6	Decoration Cover



STANDARD / COMPACT INVERTER (R32)
US30F NR0 / US36F NR0

(Unit : mm)

	PART NAME
1	Refrigerant / Drain Pipe and Cabel Routing Hole
2	Installation Plate
3	Drain Hose Connection
4	Terminal Block for Power Supply Communication
5	Display & Remote Controller Signal Receiver
6	Decoration Cover

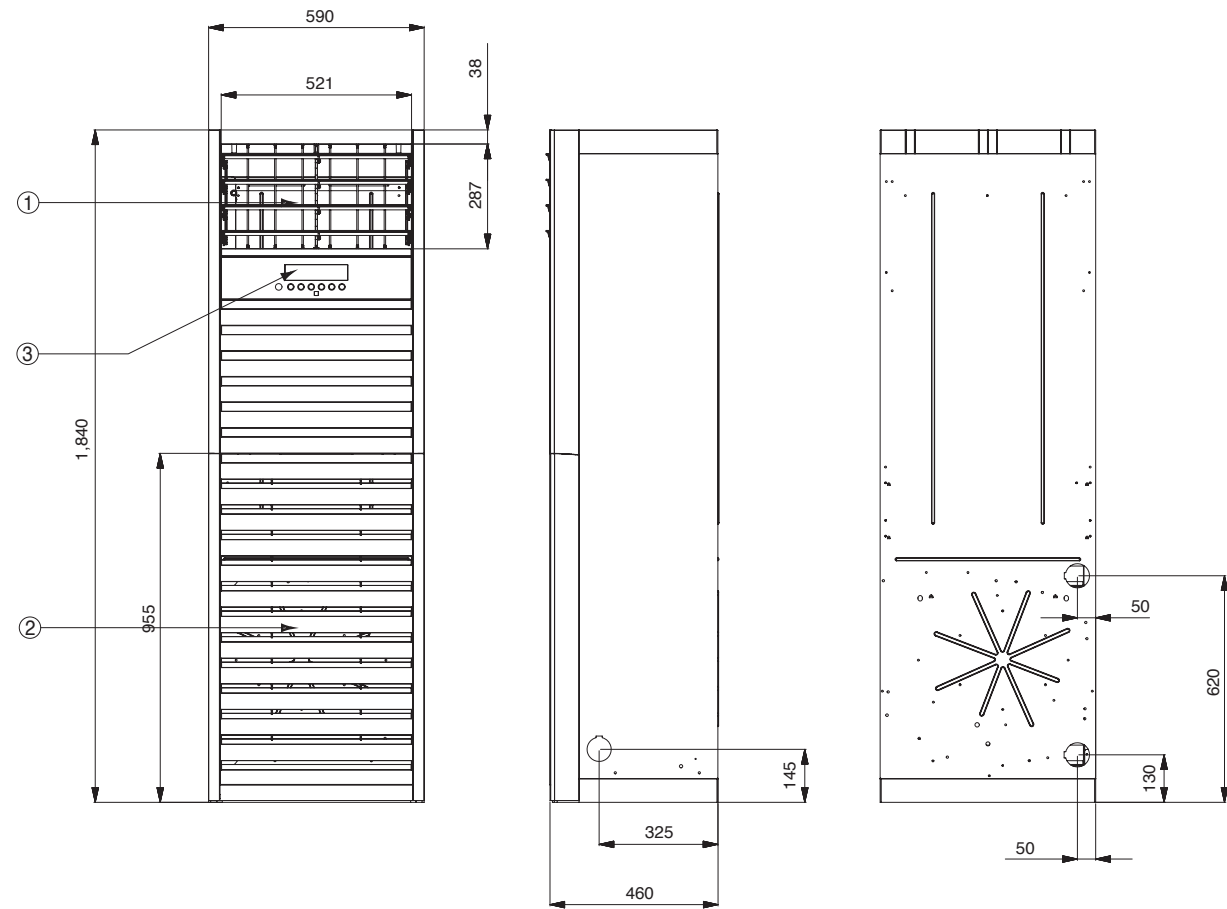


STANDARD INVERTER (R410A)

UP48 NT2

(Unit : mm)

	PART NAME
1	Front Air Discharge Grille
2	Display & Single Receiver
3	Air Suction Grille

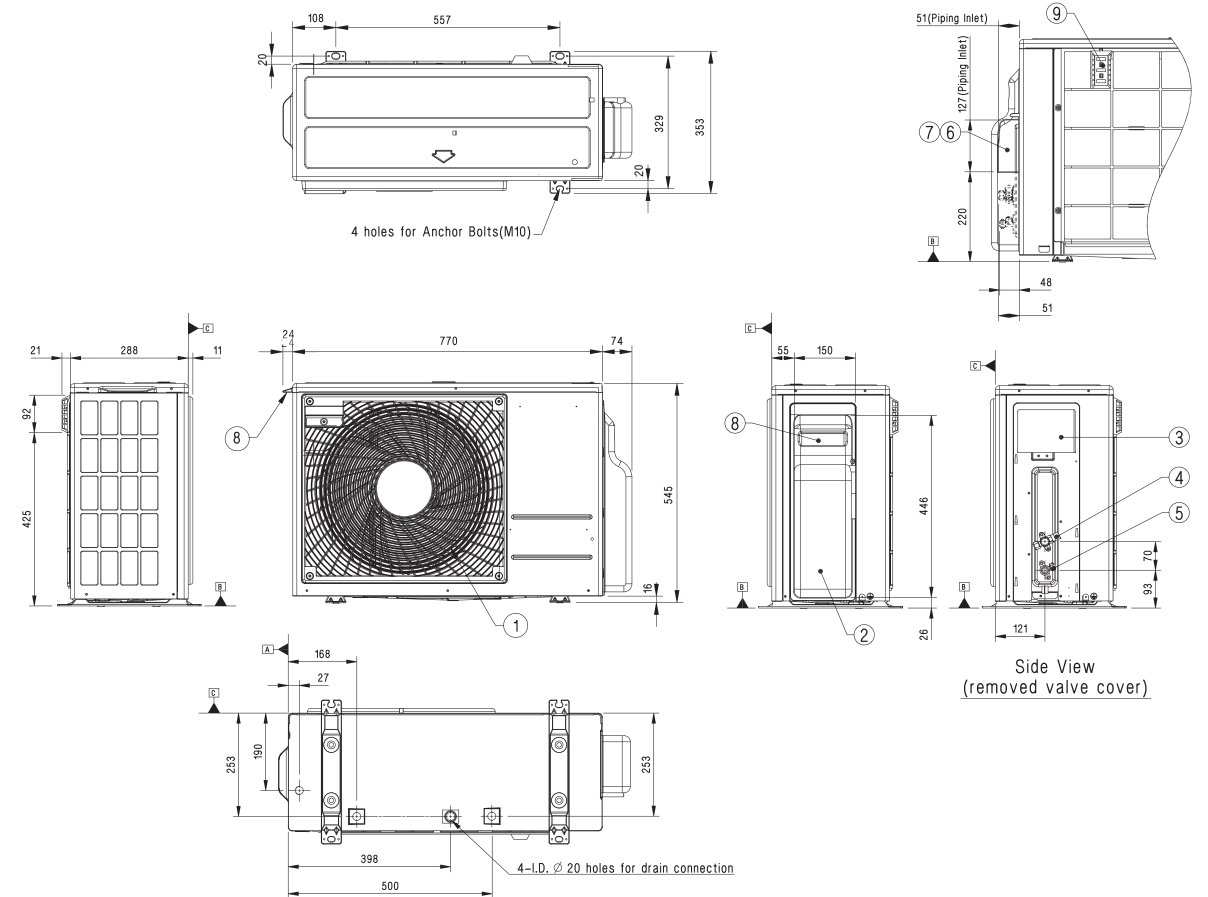
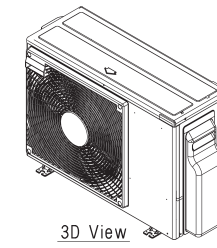


HIGH / STANDARD / COMPACT INVERTER (R32)

UUA1 UL0

(Unit : mm)

	PART NAME
1	Air Outlet
2	Control Cover & SVC Valve Cover
3	Power and Communication Cable Connection
4	Gas Pipe Connection
5	Liquid Pipe Connection
6	Power and Communication Cable Routing hole
7	Refrigerant Pipe Routing Hole
8	Handle
9	Intake Air Temperature Sensor Cover

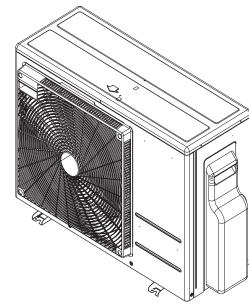


HIGH / STANDARD / COMPACT INVERTER (R32)

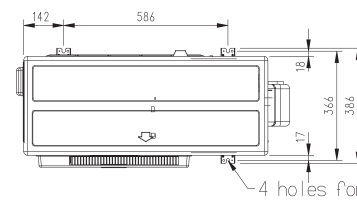
UUB1 U20

(Unit : mm)

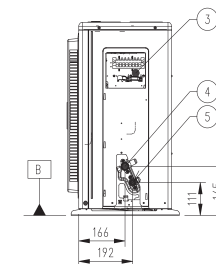
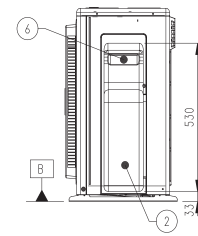
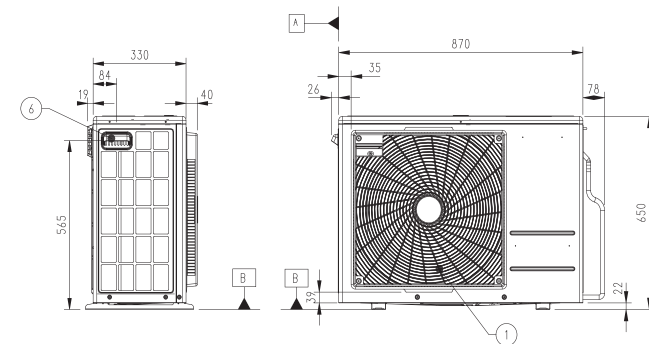
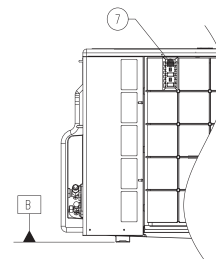
PART NAME	
1	Air Outlet
2	Control Cover & SVC Valve Cover
3	Power and Communication Cable Connection
4	Gas Pipe Connection
5	Liquid Pipe Connection
6	Handle
7	Intake Air Temperature Sensor Cover



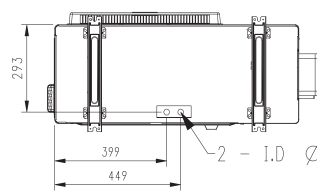
3D View



4 holes for Anchor Bolts(M10)



Side View
(removed valve cover)



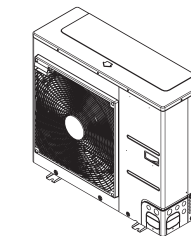
2 - I.D. Ø 20 Holes for drain connection

HIGH / STANDARD / COMPACT INVERTER (R32)

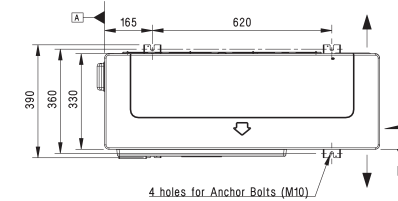
UUC1 U40

(Unit : mm)

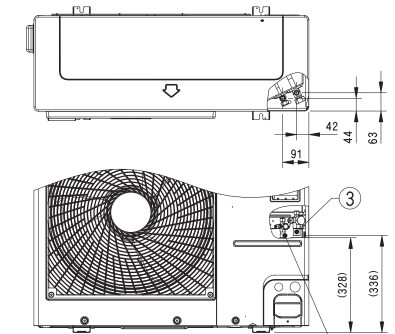
PART NAME	
1	Air Outlet
2	Power and Communication Cable Hole
3	Gas Pipe Connection
4	Liquid Pipe Connection
5	Handle
6	Pipe Routing Hole (Front)
7	Pipe Routing Hole (Side)
8	Pipe Routing Hole (Back)



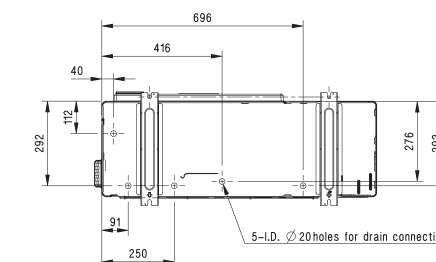
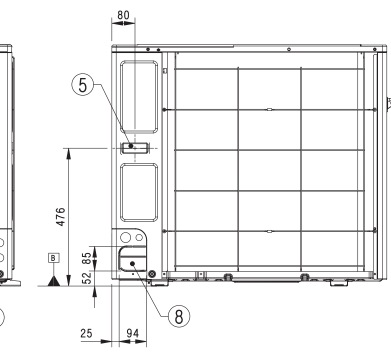
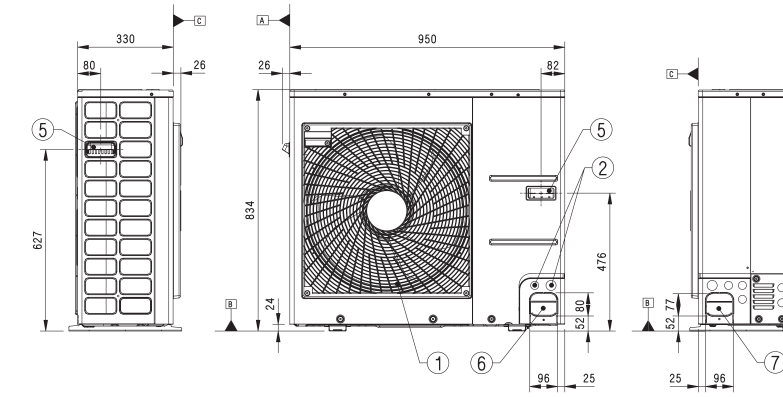
3D View



4 holes for Anchor Bolts (M10)



Piping connection port



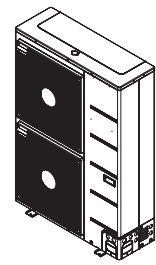
5-I.D. Ø 20holes for drain connection

STANDARD INVERTER (R32)

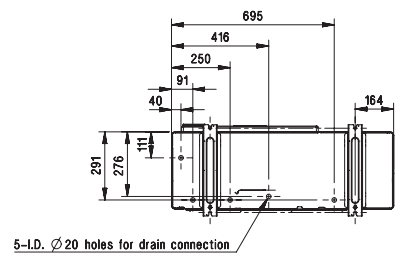
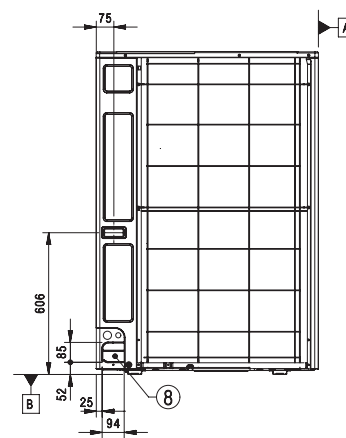
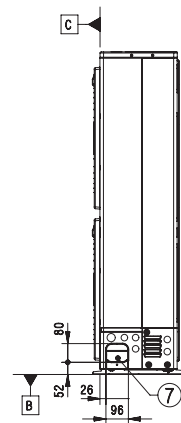
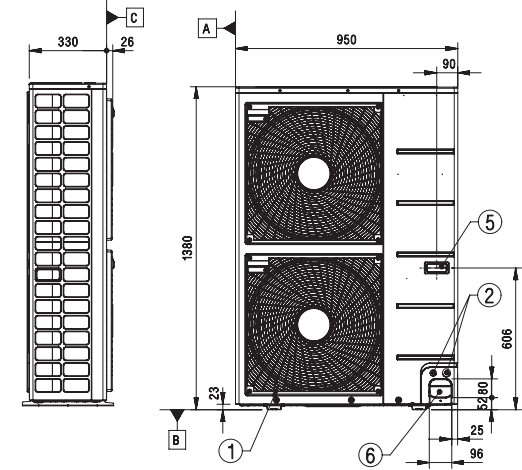
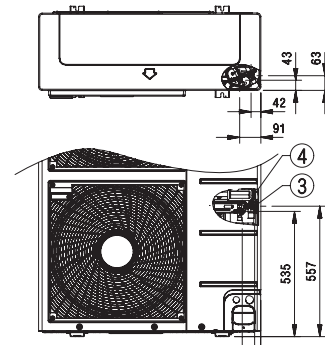
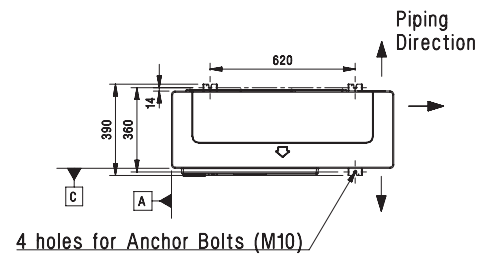
UUD1 U30 / UUD3 U30

(Unit : mm)

PART NAME
1 Air Outlet
2 Power and Communication Cable Hole
3 Gas Pipe Connection
4 Liquid Pipe Connection
5 Handle
6 Pipe Routing Hole (Front)
7 Pipe Routing Hole (Side)
8 Pipe Routing Hole (Back)



3D View

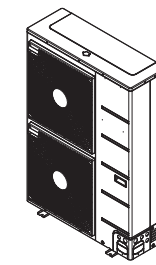


STANDARD INVERTER (R410A)

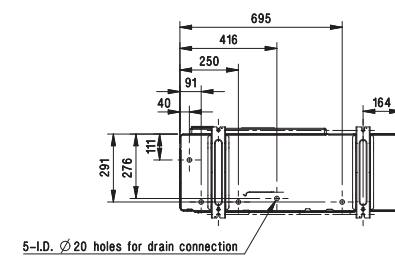
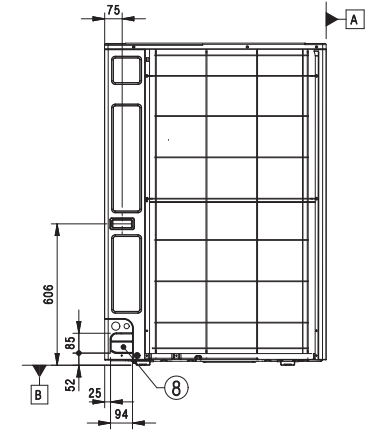
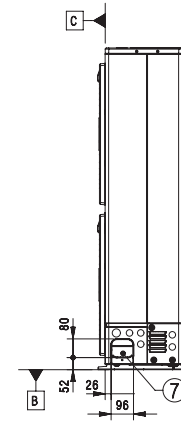
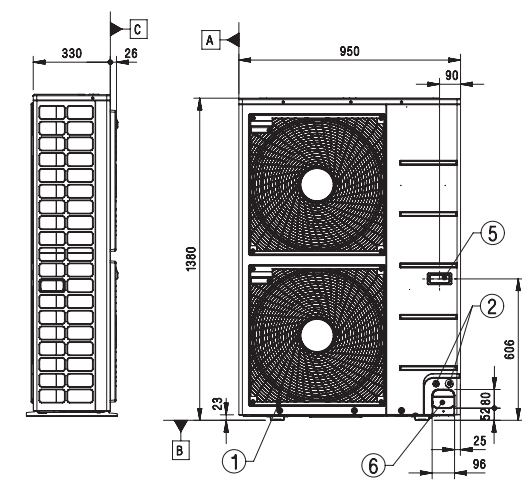
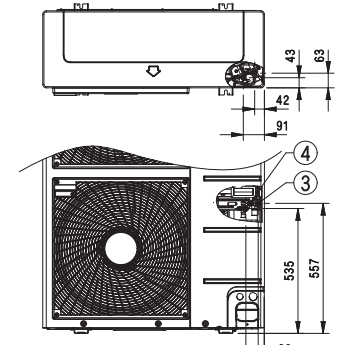
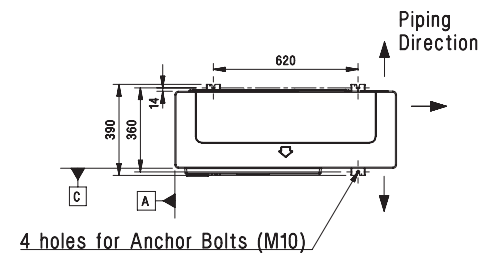
UU48W U32 / UU49W U32

(Unit : mm)

PART NAME
1 Air Outlet
2 Power and Communication Cable Hole
3 Gas Pipe Connection
4 Liquid Pipe Connection
5 Handle
6 Pipe Routing Hole (Front)
7 Pipe Routing Hole (Side)
8 Pipe Routing Hole (Back)



3D View

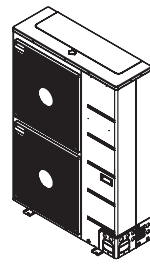


STANDARD INVERTER (R410A)

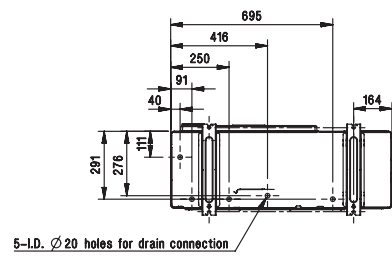
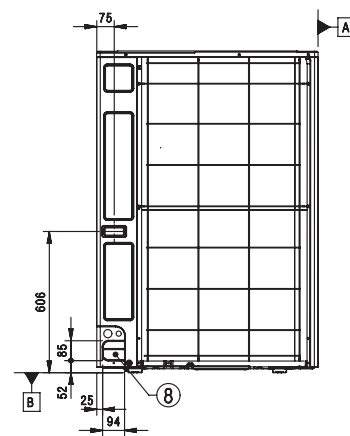
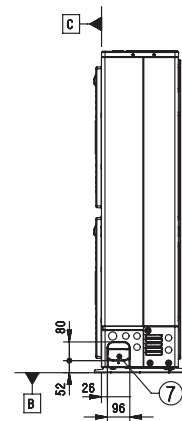
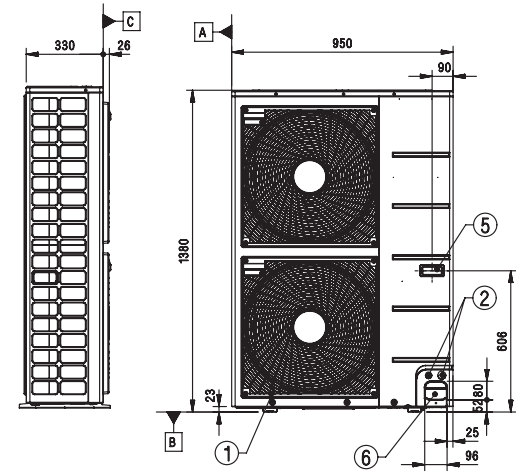
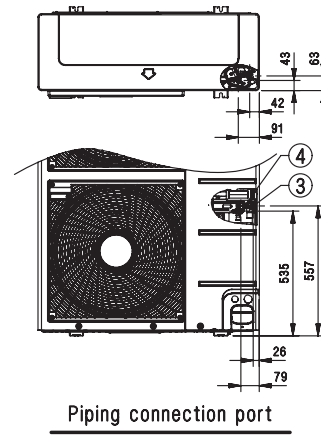
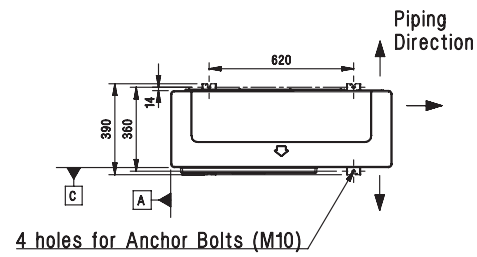
UU70W U34

(Unit : mm)

PART NAME
1 Air Outlet
2 Power and Communication Cable Hole
3 Gas Pipe Connection
4 Liquid Pipe Connection
5 Handle
6 Pipe Routing Hole (Front)
7 Pipe Routing Hole (Side)
8 Pipe Routing Hole (Back)



3D View

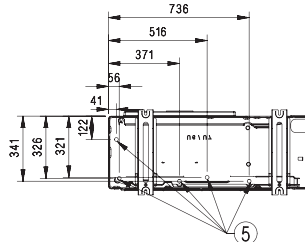
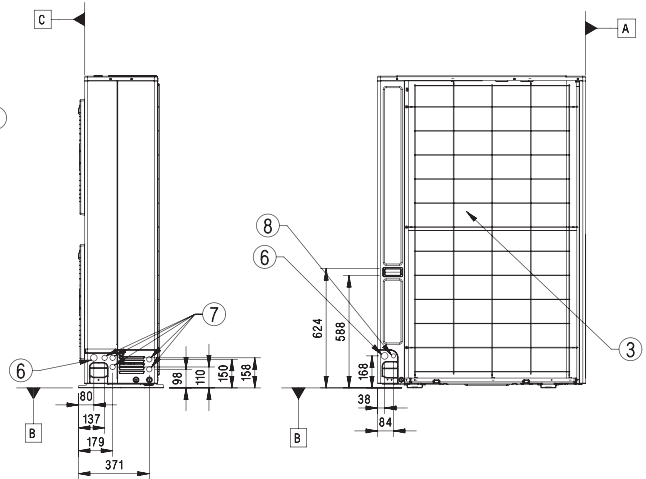
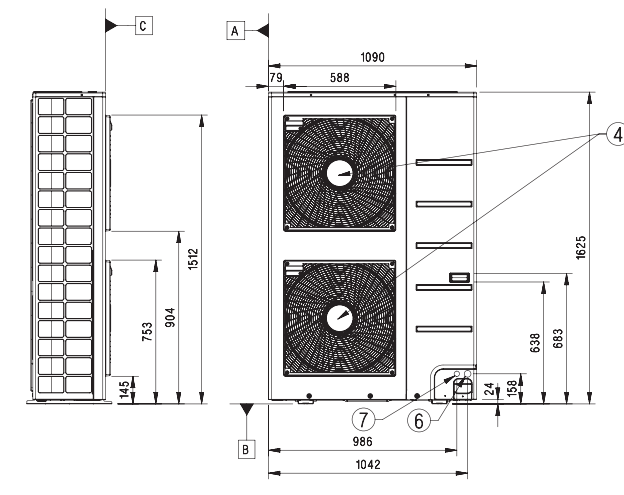
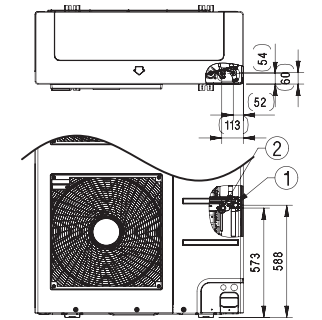
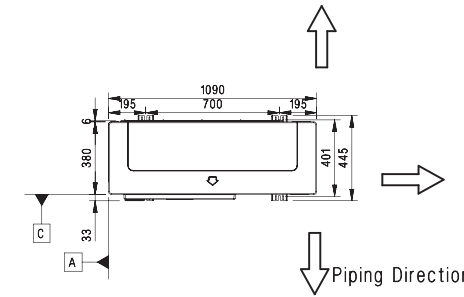
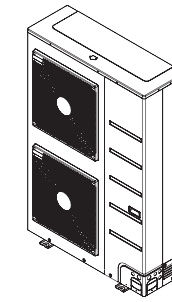


STANDARD INVERTER (R410A)

UU85W U74

(Unit : mm)

PART NAME
1 Gas Piping Connection
2 Liquid Piping Connection
3 Air Inlet
4 Air Outlet
5 Drain Hole 22
6 Power and communication Cable Hole
7 Power and communication Cable Hole
8 Power and communication Cable Hole



CHILLER



INVERTER SCROLL CHILLER

Capacity (kW)		65	74	114	130	148	171	195	222	
Capacity (Kw)	Cooling	65	74	114	130	148	171	195	222	
	Heating	70.3	82	120	140.6	164	180	210.9	246	
Range of Unit Control	Up to 1,110 kW (5 CHILLERS) by AC Smart Controller									
	Up to 1,110 kW (5 CHILLERS) by HMI Touch controller									
	Up to 2,220 kW (10 CHILLERS) by ACP (Advanced Control Platform)									
* Central controller ACP, AC Smart controller are option.										

FCU

(kW)* (kBtu/h)		1.8	2.7	3.2	4.1	6	7.2	9	10.5	13
		6k	9k	11k	14k	20k	24k	30k	36k	44k
Ceiling Mounted Cassette	4 Way Cassette	●	●	●	●	●	●	●	●	●
	Body Size (W x H x D, mm)	570 x 214 x 570		570 x 256 x 570		840 x 204 x 840		840 x 246 x 840		
	Front Panel*	PT-QAGW0		PT-UMC1/ PT-MCHW0						

* Panels are available only for FCU

(kW)* (kBtu/h)		1.5	1.8	2.5	3.2	3.9	5.5	6.6
		4k	6k	9k	11k	13k	17k	22k
Ceiling Mounted Duct	Low ESP Duct	●	●	●	●	●	●	●
	Body Size (W x H x D, mm)	700 x 190 x 700		900 x 190 x 700		1,100 x 190 x 700		

※ All lineups are for 2 pipes type only
 * Based on Cooling Capacity. Cooling Capacity testing condition : Inlet/Outlet Water Temperature 7°C / 12°C, Indoor Air Temperature 27°CDB / 19°CWB

Accessories & Parts for Water Pipes Connection

Remote Controller	Dry Contact	ETC.	Not Offered by LG and to be Purchased Separately	
			Parts for Water Pipes Connection	Installation Parts
 Premium PREMTA000(A/B)	 PDRYCB000 (Simple)	 Remote Temperature Sensor PQRSTA0	 Rubber Packing (4EA, OD23 x ID15 x t3.2)	 Ball Valve (2EA, FPT 3/4", 20A)
 Standard III ¹⁾ PREMTB100 (White) PREMTBB10 (Black)	 PDRYCB400 (2 points)	 Wi-Fi Modem PWFMD200	 Flexible Pipe (2EA, FPF 3/4", 350mm/500mm Ordered Specification)	 Nipple (2EA, MPT 3/4", MPF 3/4")
 Standard II PREMTB001 (White) PREMTBB01 (Black)	 PDRYCB320 (for Thermostat)	 Multi-tenant Power Module PINPMB001	 Nipple (2EA, MPT 3/4", MPF 3/4")	 Strainer (1EA, FPF 3/4", #30)
 Simple PQRVCVLOQ(W) PQRCHCAOQ(W) (for Hotel)		 Group Control Wire PZCWRC3	 2 Way Valve (On/Off, 2-wires or 3wires)	 Water Pipe (2EA, 20A, Copper or Stainless Tube)
 Wireless Remote Controller PWLSSB21H/C (Heat Pump/Cooling Only)		 2-Remo. Control Wire PZCWRC2	 Valve insulation Material (1EA)	
		 Extension Wire PZCWRC1		
		 Drain Hose ³⁾ (1EA, 5m)		

1) It could not be operated some functions.
 2) The dry contact for Modbus is built-in to the FCU as default.
 3) Included with installation parts



ULTIMATE INVERTER COMPRESSOR

As the core technology of the air conditioning system, the Ultimate Inverter Compressor of MULTI V 5 boasts its ultimate efficiency and durability, designed based on the unique technology and innovation of LG HVAC.

All Inverter

Provide high efficiency with low vibration and low noise

Six By-pass Valves

Prevent compressor damage due to excessively compressed refrigerant more efficiently than 4 by-pass valves

01. Vapor Injection

Wide operating range via two-stage compression

02. Enhanced Bearing with PEEK Material

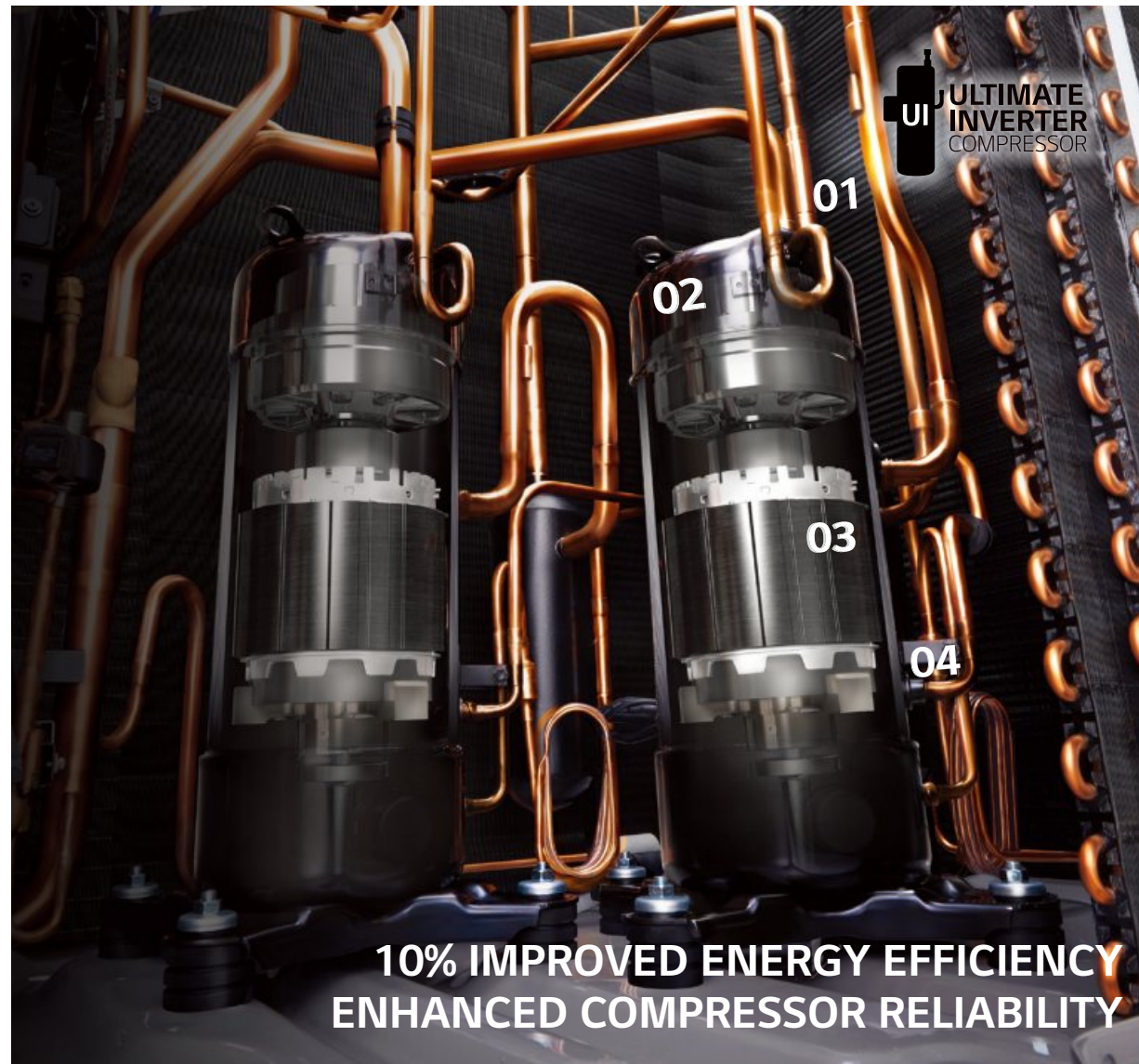
Newly invented system motivated by PEEK (Polyetheretherketone) bearing used for aero engine to increase operation range and durability

03. Wide Operation Range from 30 to 130 Hz

Improved part load efficiency at all operation ranges

04. HiPOR™ (High Pressure Oil Return)

Resolve compressor efficiency loss caused by oil return



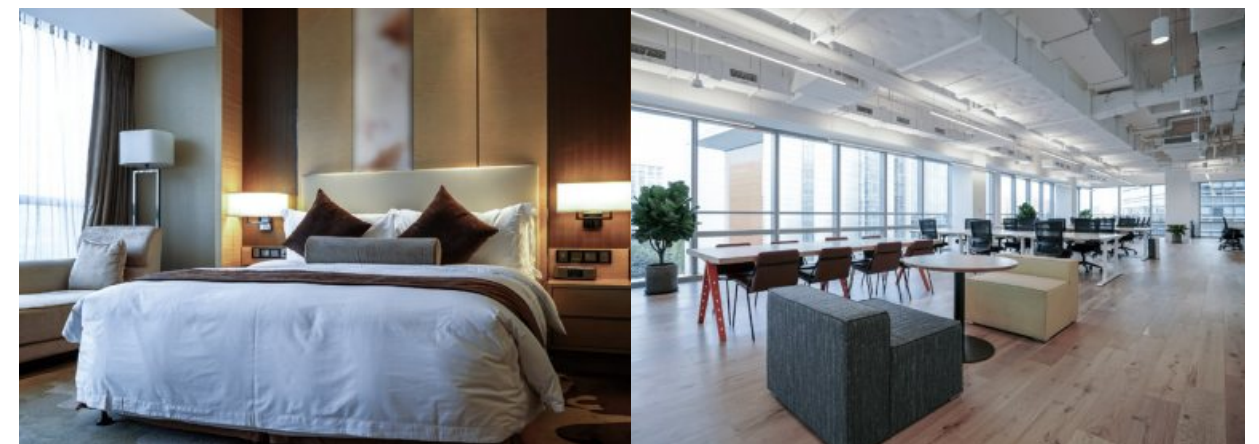
Smart Farm



Small Industry (Process Water)



Hotel / Office

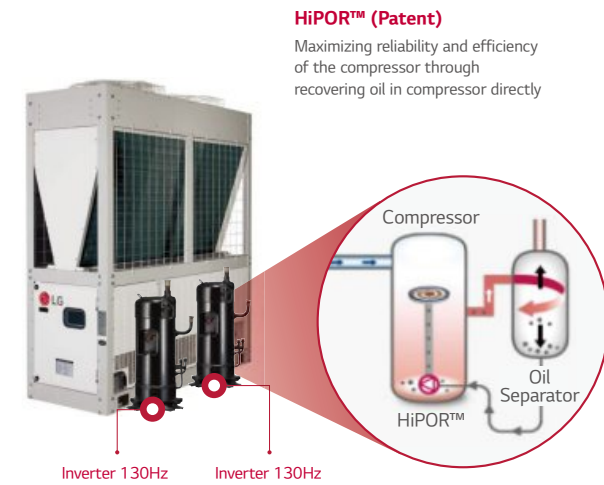


All Inverter Scroll Compressor

All inverter scroll compressor with HiPOR™ (Patent) is applied to improve full load and part load energy efficiency.

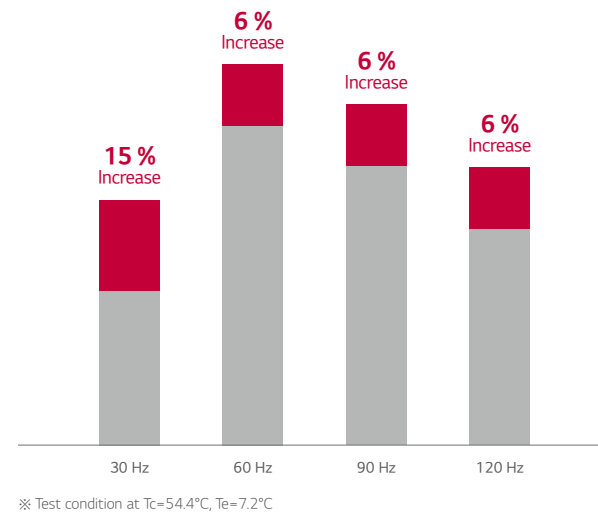
All Inverter System

Wide operation frequency range 30 ~ 130Hz



Compressor Efficiency

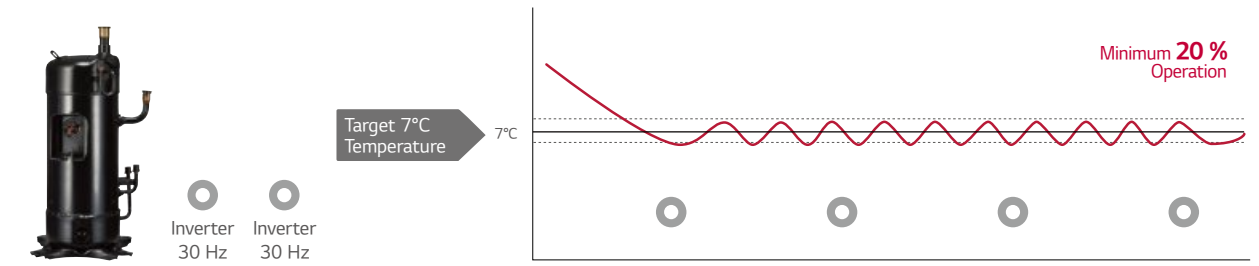
Compressor efficiency by Hz is increased through HiPOR™ application



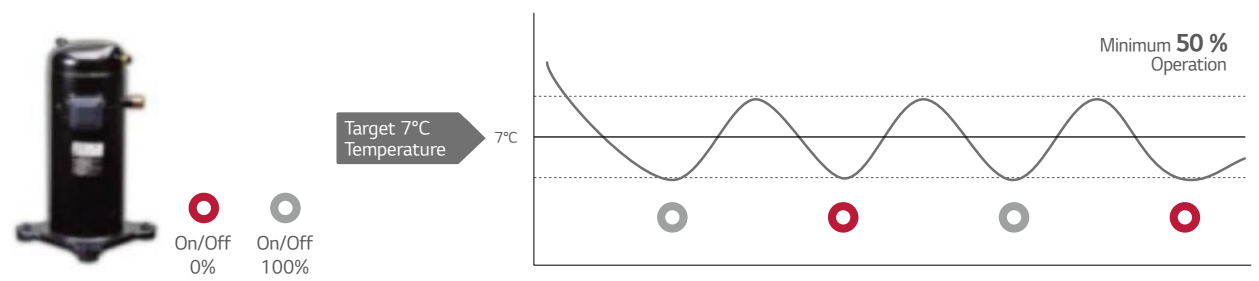
Lower Load Operation

20% part load operation and minimized water outlet temperature haunting with Inverter scroll compressor.

LG Inverter Scroll Compressor



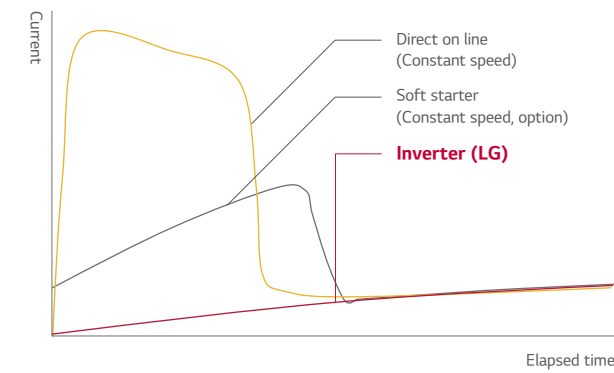
Normal On/Off Multi Compressor System



App. Inverter Comp. vs Constant Speed Comp.

Inverter compressor is more stable and efficient solution than Constant speed compressor.

Comparison of starting type



Compressor	Starting type	Starting current (Is / FLA*, %)
Constant speed	Direct on line	About 650 %
	Soft starter	200 ~ 350 %
Inverter (LG)	Inverter	No inrush current

* FLA : Full load ampere

Inverter's feature & benefits

When starting

Reduce starting torque below full load torque

➔ **Mechanical wear↓**

Decrease starting current under FLA

➔ **Circuit breaker capacity↓**

When operating

Low electric loss due to high value of the power factor**

➔ **Energy efficient**

Low power input in part load

➔ **High SEER**

Continuously adjust compressor output according to the load (Compressor 15~125Hz)

➔ **Save energy**

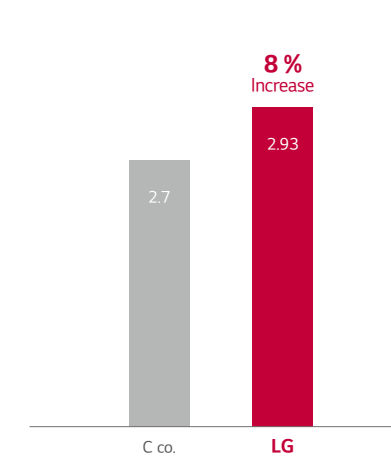
** Power factor : Ratio between active power(kW) and total power(kVA)

High Energy Efficiency

All inverter scroll compressors with Multi V technologies improve energy efficiency.

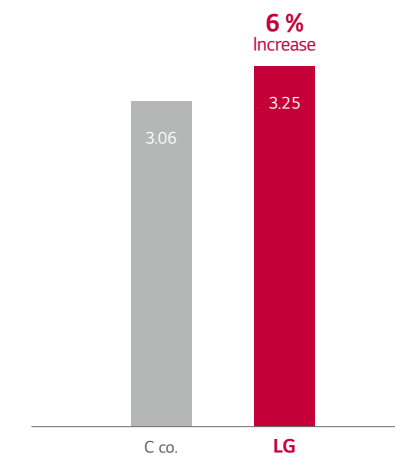
Cooling Performance

EER

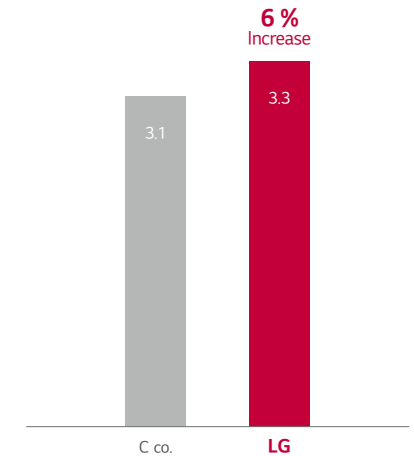


Heating Performance

COP



SCOP

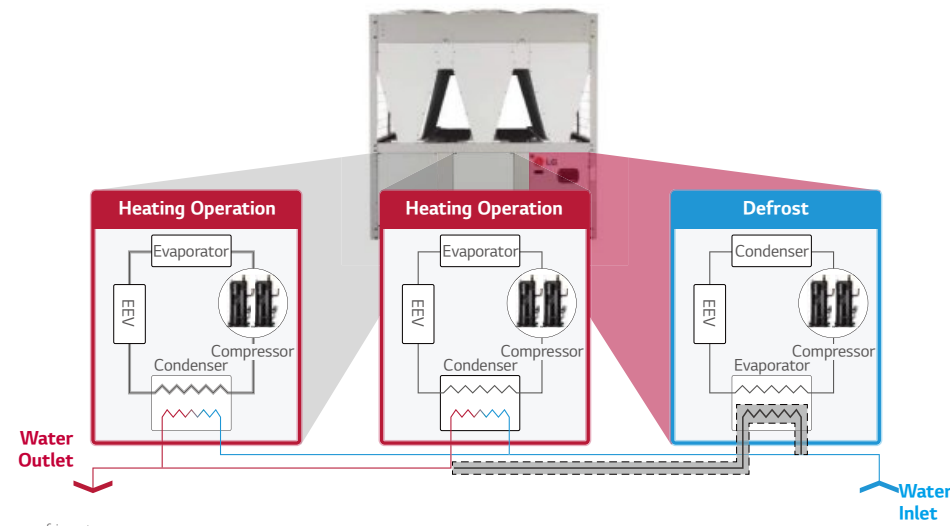


※ 65 kW Heat pump model comparison

Continuous Heating Operation

Continuous heating minimizes the decrease of water outlet temperature during defrosting for multi circuit model.

Multi cycle can defrost each cycle individually to supply hot water continuously multi cycle.



* Applied up to 6 scroll compressors per refrigerator

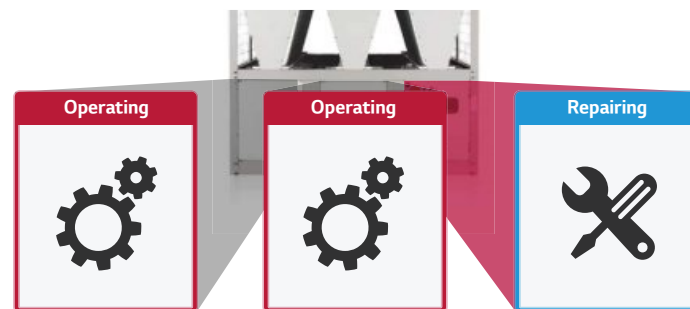
Back Up Operation

If one compressor or one cycle needs to be repaired, backup operation helps the whole system to operate continuously.

All Inverter System



Cycle back up



Corrosion Resistance (Black Fin)

'Black Fin' heat exchanger is highly corrosion resistant, designed to perform in corrosive environments such as contaminated and humid condition.

Black Fin

- Longer lifespan, lower operational costs
- Strengthened corrosion resistant coating

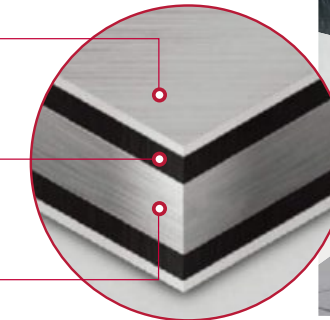
Hydrophilic Coating

The hydrophilic coating minimizes moisture build up on the fin.

Corrosion Resistant Black Coating

The black coating provides strong protection from corrosion.

Aluminum Fin



Black Box Function

Quick service can be done because operation data can be saved for 180 seconds before system failure.

Without Black Box Function

Check many failure causes and error codes in person

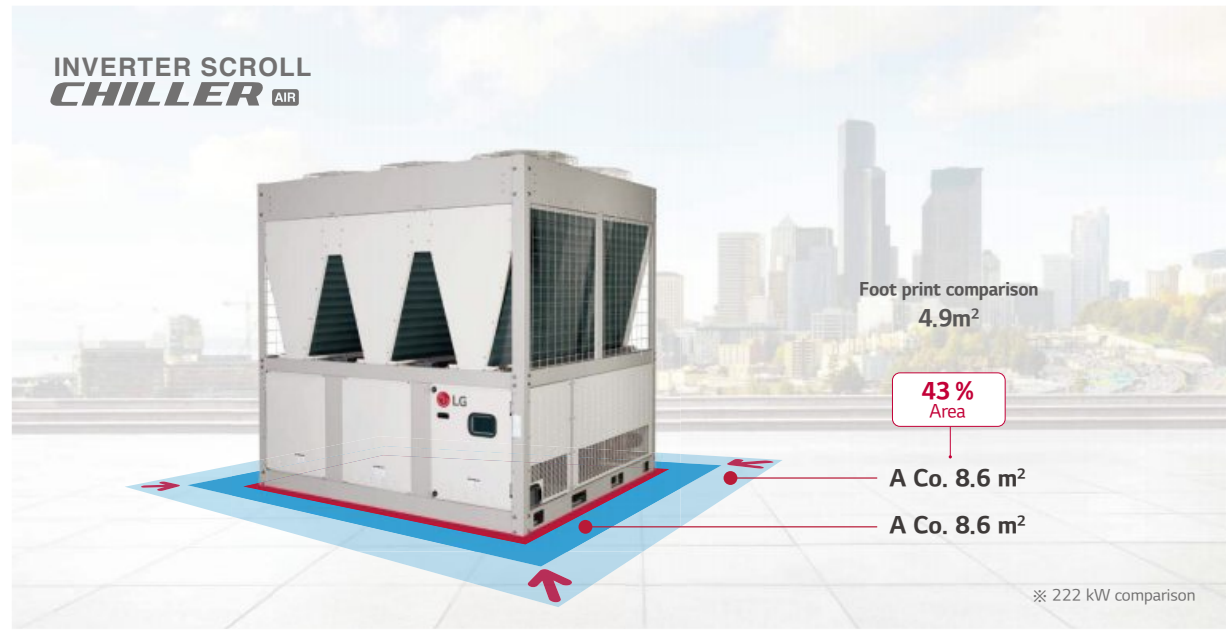
With Black Box Function

Search for the failure cause conveniently using recorded data



Compact Size

Compact size reduces concern about installation and service space.



Low Noise Level

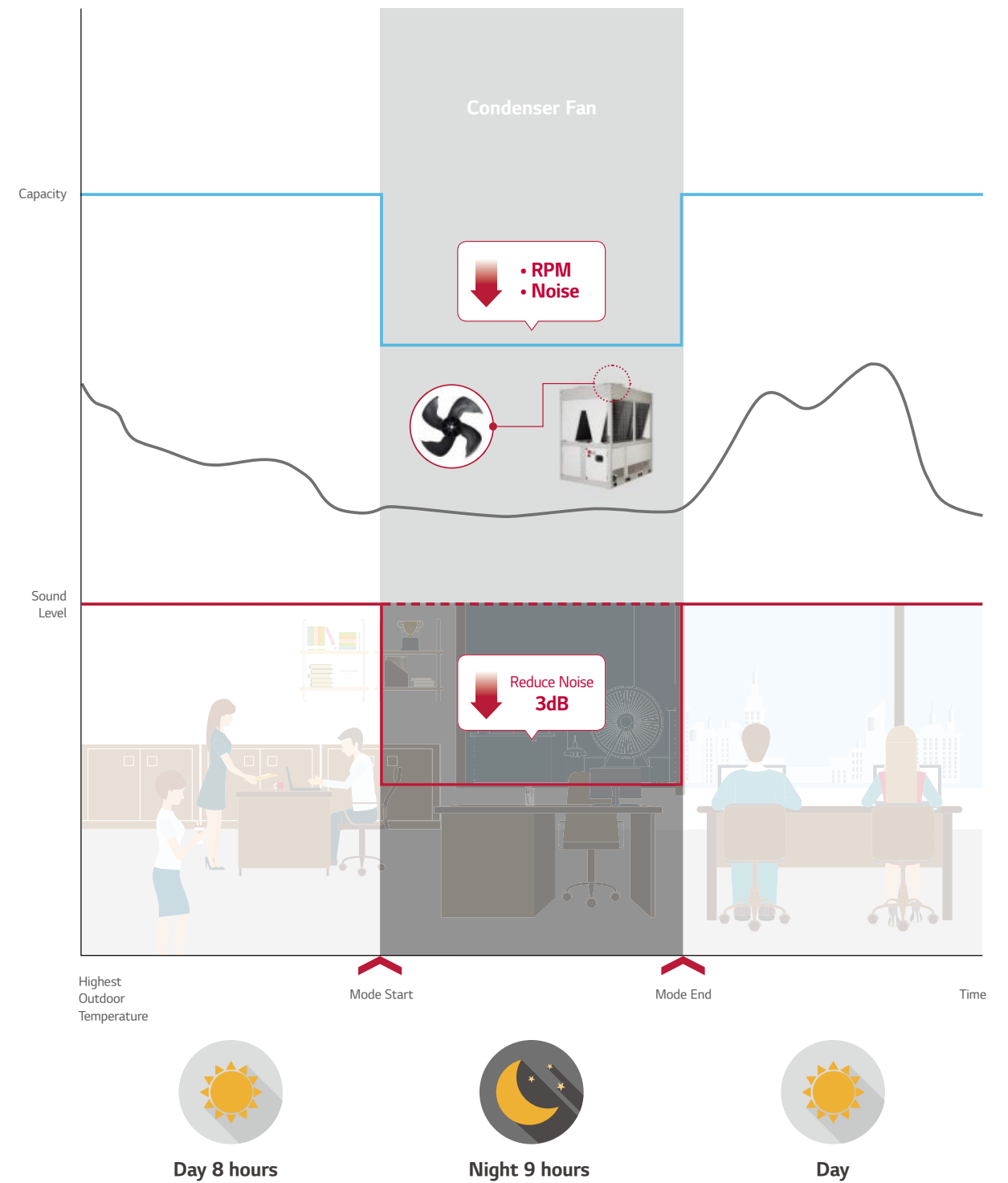
Lower noise can reduce noise pollution and provide a quieter environment.

Noise Comparison



Silent Operation Function (Cooling Mode)

Silent operation function can reduce noise levels at night time by adjusting the fan RPM.



**ACHH020LBAB / ACHH023LBAB
ACHH033LBAB / ACHH040LBAB**



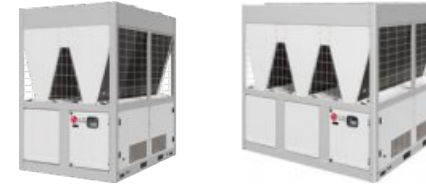
LG participates in the ECP programme for EUROVENT LCP-HP program. Check ongoing validity of certification : www.eurovent-certification.com

Heat pump model

INVERTER SCROLL CHILLER			ACHH020LBAB	ACHH023LBAB	ACHH033LBAB	ACHH040LBAB
			H/P	H/P	H/P	H/P
Power	Phase/Lines/V		3,4,380-415	3,4,380-415	3,4,380-415	3,4,380-415
Capacity	Cooling	kW	65	74	114	130
		RT	18.5	21	32.4	37
	Heating	kW	70.3	82	120	140.6
		RT	20	23	34	40
Input Power	Cooling	kW	22.2	27.4	36.8	44.4
	Heating	kW	21.6	27.3	35.3	43.3
Max operating Current	A		39	48	72	78
Efficiency	Cooling	W/W	2.93	2.70	3.10	2.93
	Heating	W/W	3.25	3.00	3.40	3.25
SEER	W/W		4.40	4.20	4.50	4.40
SCOP	W/W		3.30	3.30	3.30	3.30
Sound Pressure	dB(A)		67	68	68	68
Sound power	Cooling	dB(A)	86	87	87	90
	Heating	dB(A)	86	87	88	90
Compressor	Type	-	Scroll	Scroll	Scroll	Scroll
	No. of Compressor	EA	2	2	4	4
	Oil Type	-	PVE	PVE	PVE	PVE
	Oil charge	cc	1,400 x 2	1,400 x 2	1,400 x 4	1,400 x 4
	Sump Heater	W	60 x 2	60 x 2	60 x 4	60 x 4
	Refrigrant	Type	-	R410A	R410A	R410A
Evaporator	Amount of Charged	Kg	7.0 kg x 2	7.0 kg x 2	7.0 kg x 4	7.0 kg x 4
	Type	-	plate	plate	plate	plate
	Pressure drop	kPa	21.5	28.7	18.7	21.5
	Operating maximum pressure (Refrigrant / Water)	kg/cm ²	42/10	42/10	42/10	42/10
Fan motor	Standard Flow (Cooling/Heating)	LPM	186/200	211/235	327/345	372/400
	Inlet/Outlet diameter (Water pipe)	mm	50A/50A	50A/50A	65A/65A	65A/65A
	Type	-	BLDC	BLDC	BLDC	BLDC
Expansion unit	No. of Fan	EA	2	2	4	4
	No. of Vanes	EA	4	4	4	4
	Air Flow Rate	CMM	210 x 2 @1,000 rpm	210 x 2 @1,000 rpm	210 x 4 @1,000 rpm	210 x 4 @1,000 rpm
	Motor power	W	900 x 2	900 x 2	900 x 4	900 x 4
Weight	kg		520	520	970	970
Dimension	W	mm	765	765	1,528	1,528
	H	mm	2,293	2,293	2,293	2,293
	D	mm	2,154	2,154	2,154	2,154
Footprint	m ² / RT		0.089	0.078	0.102	0.089
Protection Devices	High/Low Pressure	-	•	•	•	•
	Anti Frost	-	•	•	•	•
Remote Control	-		Modbus	Modbus	Modbus	Modbus
Power	Power Line	mm ²	25.0mm ² x 5C	25.0mm ² x 5C	50.0mm ² x 5C	50.0mm ² x 5C
Outlet Temperature	Cooling	°C	5-20	5-20	5-20	5-20
	Heating	°C	30-55	30-55	30-55	30-55
Ambient Temperature	Cooling	°C	-15-48	-15-48	-15-48	-15-48
	Heating	°C	-30-35	-30-35	-30-35	-30-35
Earth Leakage Breaker	A		75	75	125	125

Notes :
 1. Due to our policy of innovation some specifications may be changed without prior notification.
 2. Capacities and Inputs are based on the following conditions
 Cooling : Outdoor air temp. 35°C, Water inlet temp. 12°C, Water Outlet temp. 7°C
 Heating : Outdoor air temp. 7°C, Water inlet temp. 40°C, Water Outlet temp. 45°C
 3. Sound pressure level is measured on the rated condition in the anechoic rooms by ISO 3745 standard.
 Sound power level is measured ISO 9614:2009 by sound intensity method. Therefore, these values can be increased owing to ambient conditions during operation.

**ACHH045LBAB / ACHH050LBAB
ACHH060LBAB / ACHH067LBAB**



LG participates in the ECP programme for EUROVENT LCP-HP program. Check ongoing validity of certification : www.eurovent-certification.com

Heat pump model

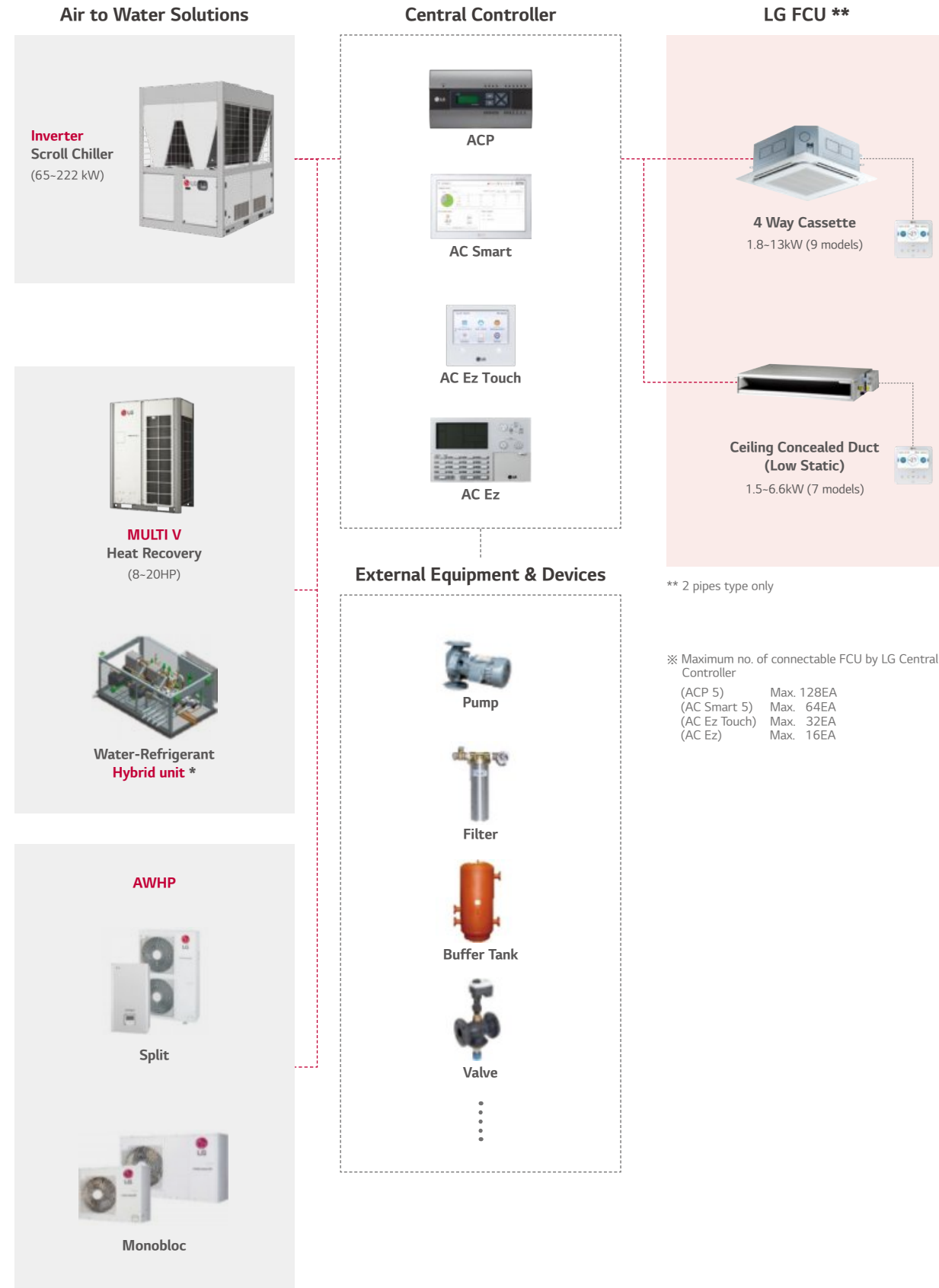
INVERTER SCROLL CHILLER			ACHH045LBAB	ACHH050LBAB	ACHH060LBAB	ACHH067LBAB
			H/P	H/P	H/P	H/P
Power	Phase/Lines/V		3,4,380-415	3,4,380-415	3,4,380-415	3,4,380-415
Capacity	Cooling	kW	148	171	195	222
		RT	42.1	48.6	55.4	63.1
	Heating	kW	164	180	210.9	246
		RT	47	51	60	70
Input Power	Cooling	kW	54.8	55.2	66.6	82.2
	Heating	kW	54.7	52.9	64.9	82
Max operating Current	A		96	108	117	144
Efficiency	Cooling	W/W	2.70	3.10	2.93	2.70
	Heating	W/W	3.00	3.40	3.25	3.00
SEER	W/W		4.20	4.50	4.40	4.20
SCOP	W/W		3.30	3.30	3.30	3.30
Sound Pressure	dB(A)		68	68	68	68
Sound power	Cooling	dB(A)	91	88	91	92
	Heating	dB(A)	91	88	91	92
Compressor	Type	-	Scroll	Scroll	Scroll	Scroll
	No. of Compressor	EA	4	6	6	6
	Oil Type	-	PVE	PVE	PVE	PVE
	Oil charge	cc	1,400 x 4	1,400 x 6	1,400 x 6	1,400 x 6
	Sump Heater	W	60 x 4	60 x 6	60 x 6	60 x 6
	Refrigrant	Type	-	R410A	R410A	R410A
Evaporator	Amount of Charged	Kg	7.0 kg x 4	7.0 kg x 6	7.0 kg x 6	7.0 kg x 6
	Type	-	plate	plate	plate	plate
	Pressure drop	kPa	28.7	18.7	21.5	28.7
	Operating maximum pressure (Refrigrant / Water)	kg/cm ²	42/10	42/10	42/10	42/10
Fan motor	Standard Flow (Cooling/Heating)	LPM	411/470	490/518	558/600	633/705
	Inlet/Outlet diameter (Water pipe)	mm	65A/65A	65A/65A	65A/65A	65A/65A
	Type	-	BLDC	BLDC	BLDC	BLDC
Expansion unit	No. of Fan	EA	4	6	6	6
	No. of Vanes	EA	4	4	4	4
	Air Flow Rate	CMM	210 x 4 @1,000 rpm	210 x 6 @1,000 rpm	210 x 6 @1,000 rpm	210 x 6 @1,000 rpm
	Motor power	W	900 x 4	900 x 6	900 x 6	900 x 6
Weight	kg		970	1,430	1,430	1,430
Dimension	W	mm	1,528	2,291	2,291	2,291
	H	mm	2,293	2,293	2,293	2,293
	D	mm	2,154	2,154	2,154	2,154
Footprint	m ² / RT		0.078	0.101	0.089	0.078
Protection Devices	High/Low Pressure	-	•	•	•	•
	Anti Frost	-	•	•	•	•
Remote Control	-		Modbus	Modbus	Modbus	Modbus
Power	Power Line	mm ²	50.0mm ² x 5C	95.0mm ² x 5C	95.0mm ² x 5C	95.0mm ² x 5C
Outlet Temperature	Cooling	°C	5-20	5-20	5-20	5-20
	Heating	°C	30-55	30-55	30-55	30-55
Ambient Temperature	Cooling	°C	-15-48	-15-48	-15-48	-15-48
	Heating	°C	-30-35	-30-35	-30-35	-30-35
Earth Leakage Breaker	A		125	200	200	200

Notes :
 1. Due to our policy of innovation some specifications may be changed without prior notification.
 2. Capacities and Inputs are based on the following conditions
 Cooling : Outdoor air temp. 35°C, Water inlet temp. 12°C, Water Outlet temp. 7°C
 Heating : Outdoor air temp. 7°C, Water inlet temp. 40°C, Water Outlet temp. 45°C
 3. Sound pressure level is measured on the rated condition in the anechoic rooms by ISO 3745 standard.
 Sound power level is measured ISO 9614:2009 by sound intensity method. Therefore, these values can be increased owing to ambient conditions during operation.



Fan Coil Unit

FCU can be applied to various solutions using water. It allows not only to control equipment individually by using the remote controller, but also apply integrated control including control of some external equipment and devices through the central controller.

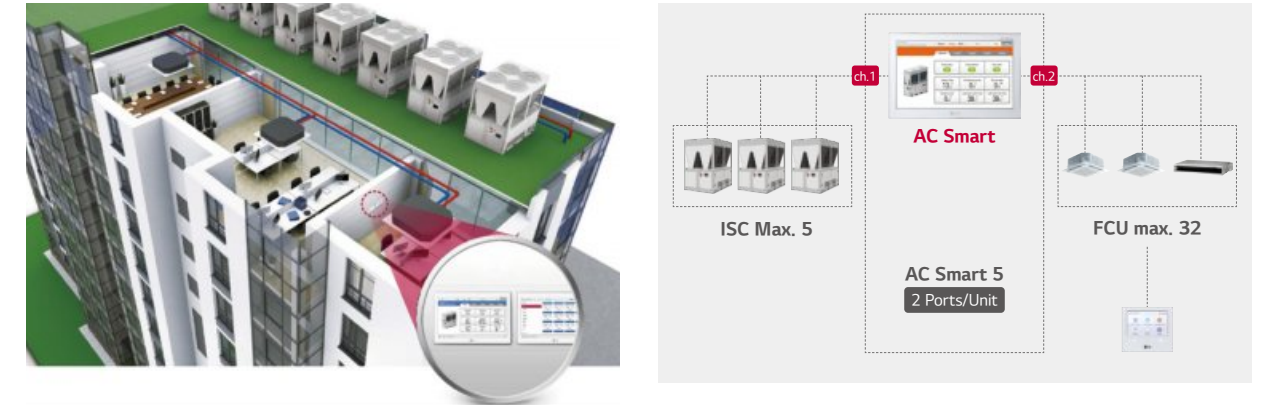


Interlocking Control

It allows Interlocking control between FCU and Inverter Scroll Chiller (ISC) by using LG central controller such as ACP, ACS. When FCU is being turned on/off, ISC turns on/off automatically by LG central controller.

What are the benefits?

The Total Cost(Equipment + installation + BMS) is greatly reduced. It eliminated the hassle of turning on the ISC first.

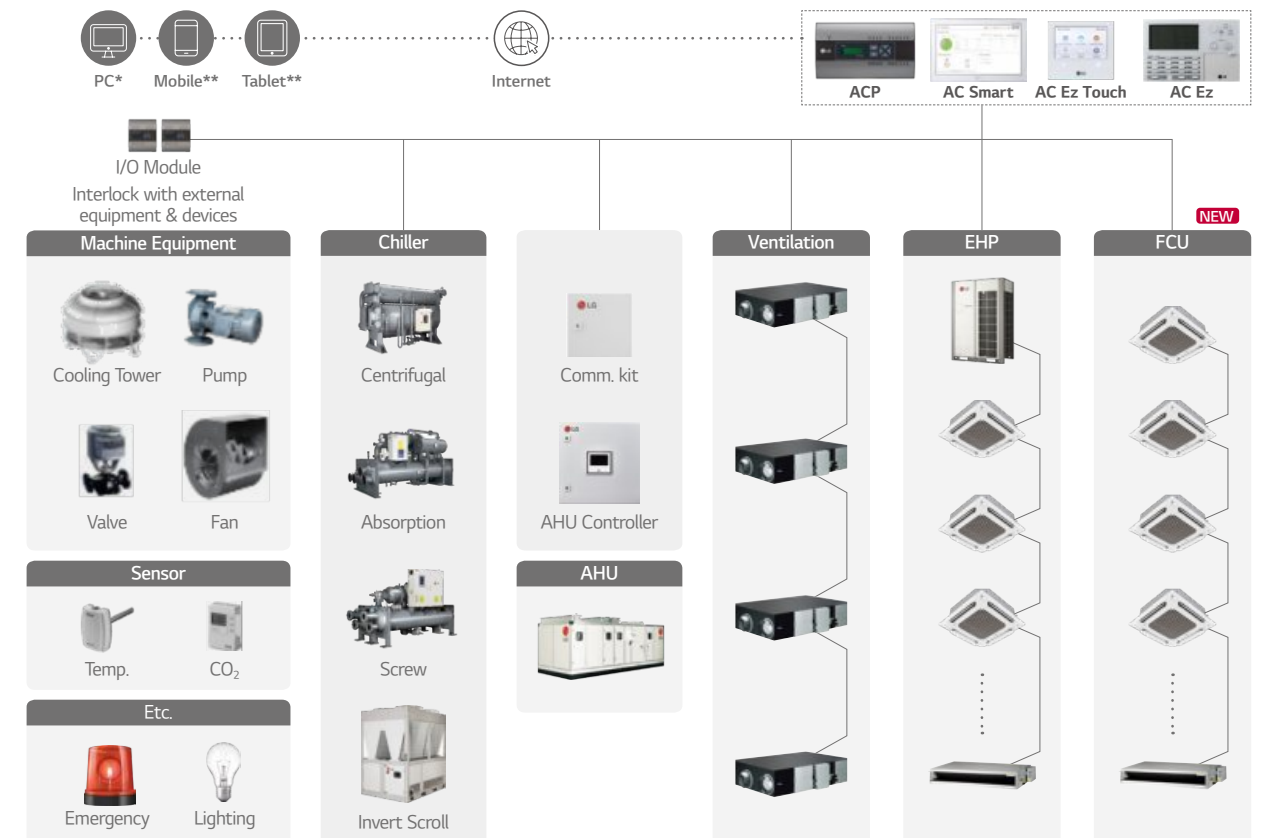


Central Controller

LG's central controller allows control of various external equipment and devices in addition to LG's equipment. (FCU, Chiller, EHP, etc.)

What are the benefits?

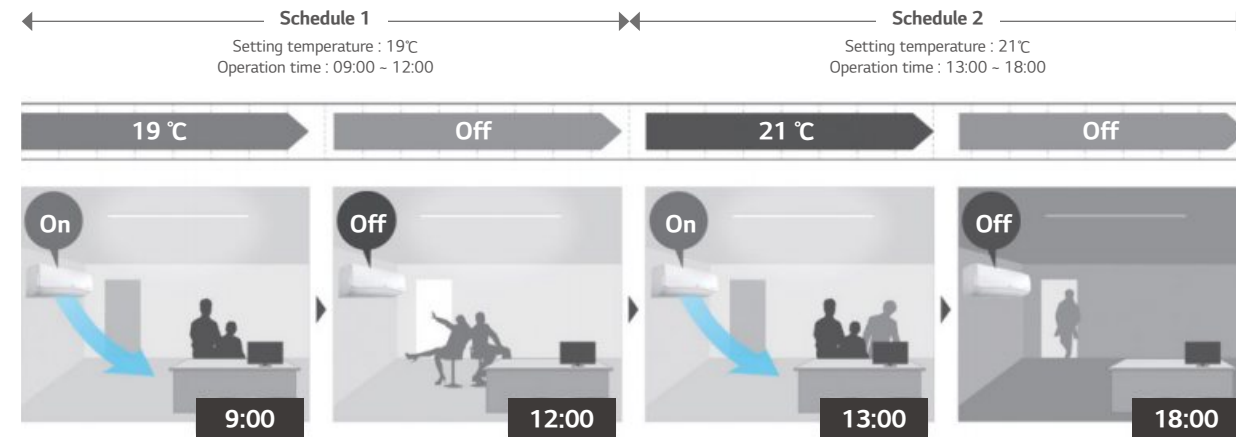
Integrated control of the system can be realized conveniently through the LG central controller. (FCU + Chiller + EHP + ... + External Equipment & Devices)



* Unable to link AC Ez ** Unable to link AC Ez, AC Ez Touch

Scheduled Operation

You can set 2 schedules for one day, and up to 14 schedules for a week.



※ This function is for wired remote controller only
 ※ Wired remote controller is need to be separately purchased.

Group Control with One Remote Controller

Up to 16 FCU's can be controlled with one wired remote controller. It can reduce installation costs and keep the wall interior clean.



※ If you set up to 'Installation Setting' > Group Control 'Enabled' in your Wired Remote Controller, you can use many more functions.

Easy Control (Simple Test Run via LGMV)

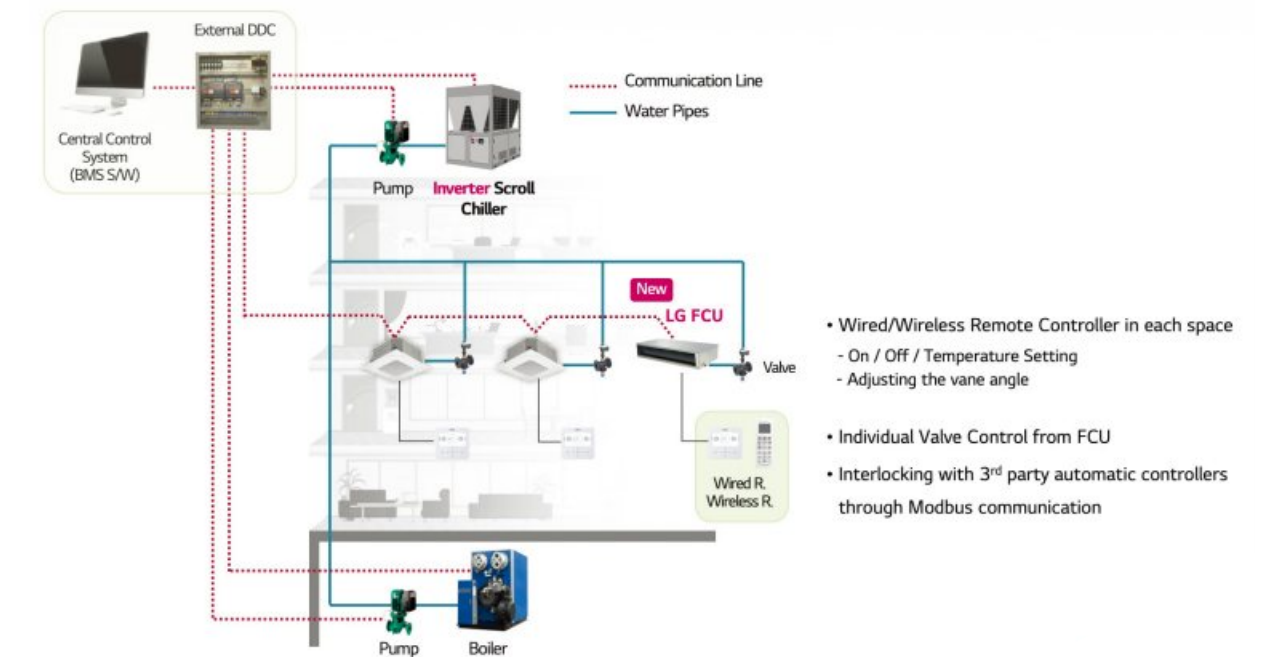
LG MV (Monitoring View) helps engineers to inspect and monitor LG's air conditioning unit easily.



※ Search "Mobile LGMV" on Google market or App store then download the app.
 ※ Wi-Fi modem (PWFMD200) is required by option.

Individual Control & External Central Control

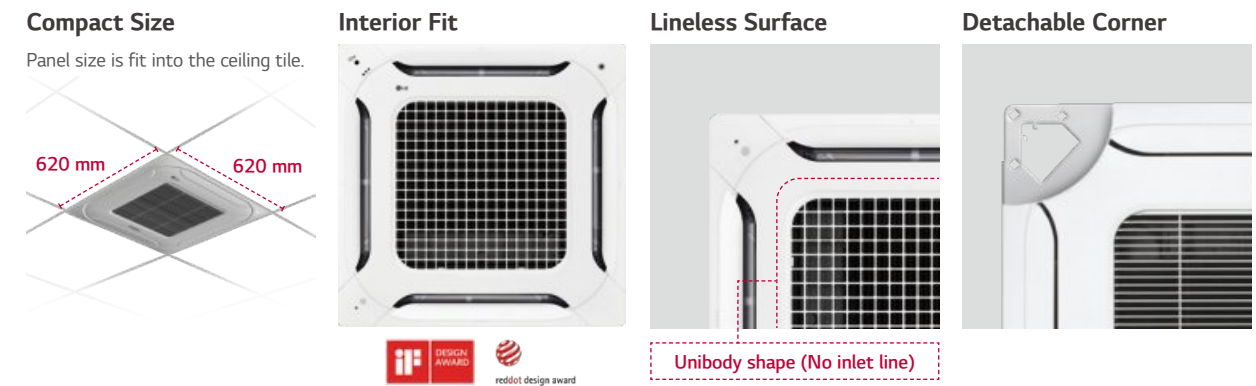
It allows not only to control each room by using the remote controller, but also apply integrated control through a 3rd party central controller.





Stylish Design Panel (U-style 4 Way cassette)

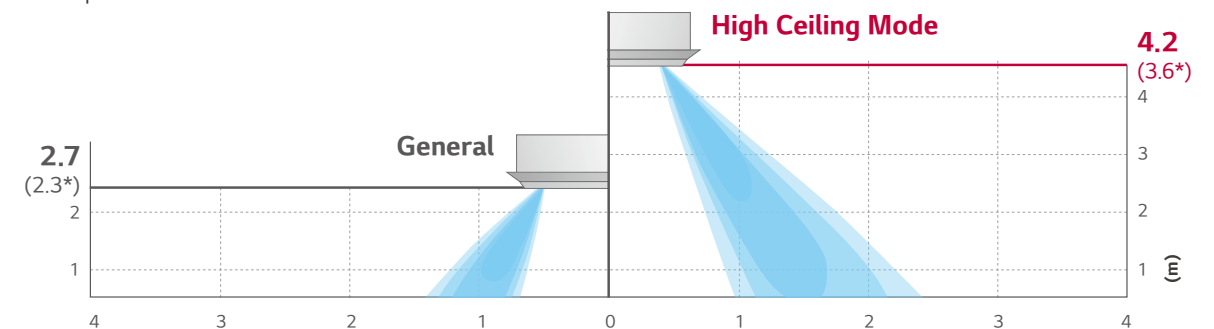
New 4 way cassette panel adapted a unibody shape and fits into the ceiling cell size.



※ U-Style panel corresponds to the PT-QAGW0 panel for WF4A018 / 027 / 032 / 041CG0A models.

High Ceiling Mode

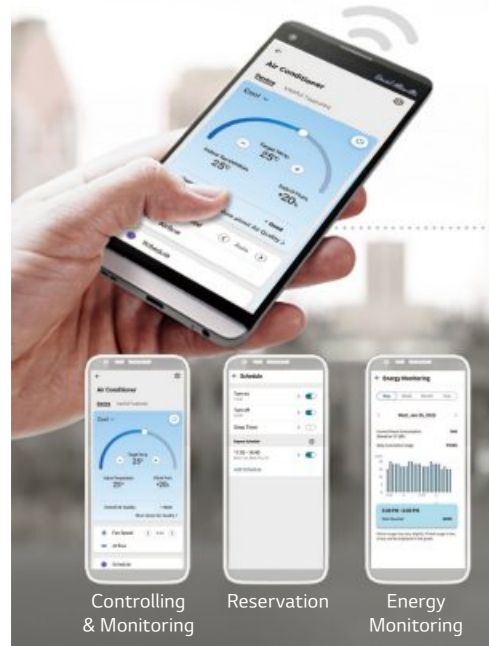
Airflow in a space with a 4.2m ceiling height is possible with this indoor unit. Furthermore, air flow can be strengthened by adjusting the fan speed.



* For models less than 9.0 kW.

Wi-Fi Remote Control

Control your air conditioners using the smart devices as Android or iOS based smartphones and voice commands via Google assistant.



Access your air conditioner anytime and from anywhere

Operation under the revised weather conditions before changing conditions impact indoor comfort.



Simple operation for various functions

- On / Off **
- Mode Selection **
- Current temperature **
- Set temperature **
- Set fan speed **
- Vane Control
- Reservation
- Energy Monitoring
- Filter Management
- Smart Diagnosis

** This functions are used by Google assistant & Amazon Alexa
※ In some countries, the use of the Google assistant & Amazon Alexa system may be restricted.

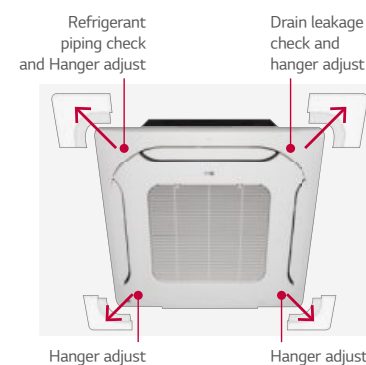
※ Search "ThinQ" on Google market or App store then download the app.
* Wi-Fi modem (PWFMD200) is required by option.

※ For our policy of continuous ThinQ App improvement, specification, design and features are subject to change without prior notice.

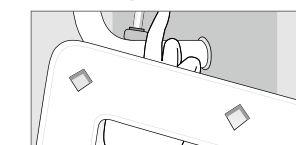
Convenient Panel Installation

The detachable corner design makes it easy to adjust the hanger during installation and helps to easily check leakages in the drain connection pipe. Moreover, button type holder design makes it is easy to install the panel to the body.

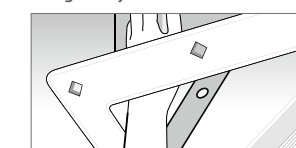
Detachable Corner Design



Drain Leakage Check



Hanger Adjust



One Push Panel



※ The detachable corner design is only applicable to the U-Style panel.

WF4A018CG0A / WF4A027CG0A
WF4A032CG0A / WF4A041CG0A
WF4A060CG0A



INDOOR			WF4A018CG0A	WF4A027CG0A	WF4A032CG0A	WF4A041CG0A	WF4A060CG0A
Power Supply	Ø, V, Hz		1, 220-230-240, 50/60	1, 220-230-240, 50/60	1, 220-230-240, 50/60	1, 220-230-240, 50/60	1, 220-230-240, 50/60
Running Current by Voltage	A		0.37-0.37-0.37	0.38-0.38-0.38	0.40-0.40-0.40	0.35-0.42-0.42	0.62-0.69-0.69
Capacity	Cooling	Condition A	1.8 (1,548)	2.7 (2,322)	3.2 (2,752)	4.1 (3,525)	6.0 (5,159)
		Condition B	1.2 (1,032)	1.8 (1,548)	2.2 (1,892)	2.8 (2,408)	4.0 (3,439)
		Condition C	1.5 (1,290)	2.3 (1,978)	2.8 (2,408)	3.6 (3,095)	4.9 (4,213)
		Condition D	0.7 (602)	1.2 (1,032)	1.4 (1,204)	1.8 (1,548)	2.5 (2,150)
	Heating	Condition A	1.9 (1,634)	2.7 (2,322)	3.3 (2,837)	4.5 (3,869)	7.2 (6,191)
		Condition B	2.2 (1,892)	3.1 (2,666)	3.9 (3,353)	5.4 (4,643)	8.5 (7,309)
Water Flow Rate	Cooling	Condition A	5.7	8.2	10.0	13.5	19.0
		Condition B	4.6	6.6	8.0	10.8	14.4
		Condition C	5.7	8.2	10.0	13.5	19.0
		Condition D	3.4	4.9	6.0	8.1	12.1
	Heating	Condition A	6.1	8.6	10.0	13.5	22.5
		Condition B	5.7	8.2	10.0	13.5	19.0
Head Loss	Cooling	Condition A	21.5	32.0	47.7	43.7	38.2
		Condition B	13.7	20.3	30.3	27.8	23.6
		Condition C	21.5	32.0	47.7	43.7	38.2
		Condition D	8.1	12.0	17.9	16.4	17.0
	Heating	Condition A	30.3	40.7	53.8	56.5	57.2
		Condition B	26.2	36.5	53.8	56.5	42.1
Power Input	Nominal	W	12	15	20	43	73
Running Current	Nominal	A	0.37	0.38	0.40	0.42	0.69
Fan	Type	-	Turbo Fan	Turbo Fan	Turbo Fan	Turbo Fan	Turbo Fan
	Air Flow Rate (H / M / L)	m³/min	6.5 / 5.5 / 5.0	7.0 / 6.5 / 6.0	8.5 / 8.0 / 7.0	12.0 / 10.0 / 8.0	19.0 / 17.0 / 15.0
Fan Motor	Type	-	BLDC	BLDC	BLDC	BLDC	BLDC
	Drive	-	CCW	CCW	CCW	CCW	CCW
	Output	W x No.	30 x 1	30 x 1	30 x 1	43 x 1	40 x 1
	FLA (Full Load Ampere)	A	0.37	0.38	0.40	0.42	0.69
Dimensions	Net (W x H x D)	mm	570 x 214 x 570	570 x 214 x 570	570 x 214 x 570	570 x 256 x 570	840 x 204 x 840
Weight	Net	kg	12.9	12.9	12.9	14.0	20.8
	Shipping	kg	15.7	15.7	15.7	16.3	24.9
Air Filter	Type	-	-	-	-	-	-
Temperature Control	-	-	Microprocessor, Thermostat for cooling and heating				
Sound Absorbing / Thermal Insulation Material	-	-	Foamed polystyrene	Foamed polystyrene	Foamed polystyrene	Foamed polystyrene	Foamed polystyrene
Protection Device	-	-	Fuse	Fuse	Fuse	Fuse	Fuse
Water Connecting Pipes	Inlet	-	BSPF G 3/4" (male)	BSPF G 3/4" (male)	BSPF G 3/4" (male)	BSPF G 3/4" (male)	BSPF G 3/4" (male)
	Outlet	-	BSPF G 3/4" (male)	BSPF G 3/4" (male)	BSPF G 3/4" (male)	BSPF G 3/4" (male)	BSPF G 3/4" (male)
Sound Pressure Level	Cooling (H / M / L)	dB(A)	35 / 34 / 33	38 / 37 / 35	43 / 40 / 38	48 / 43 / 38	48 / 46 / 42
	Heating (H / M / L)	dB(A)	35 / 34 / 33	38 / 37 / 35	43 / 40 / 38	48 / 43 / 38	48 / 46 / 42
Sound Power Level	Cooling (H / M / L)	dB(A)	40 / 39 / 38	44 / 42 / 40	50 / 46 / 44	56 / 50 / 45	55 / 53 / 49
	Heating (H / M / L)	dB(A)	40 / 39 / 38	44 / 42 / 40	50 / 46 / 44	56 / 50 / 45	55 / 53 / 49
Connecting Cable	Communication Cable (VCTF-SB)	mm² x cores	1.0 - 1.5	1.0 - 1.5	1.0 - 1.5	1.0 - 1.5	1.0 - 1.5
	Name	-	PT-QAGW0	PT-QAGW0	PT-QAGW0	PT-QAGW0	PT-UMC1/PT-MCHW0
Decoration Panel #1 (Accessory)	Dimensions (W x H x D)	mm	620 x 34 x 620	620 x 34 x 620	620 x 34 x 620	620 x 34 x 620	950 x 35 x 950
	Color	-	Morning fog	Morning fog	Morning fog	Morning fog	Morning fog
	RAL Code	-	120-4	120-4	120-4	120-4	120-4
	Name	-	-	-	-	-	-
Decoration Panel #2 (Accessory)	Dimensions (W x H x D)	mm	-	-	-	-	-
	Color	-	-	-	-	-	-
	RAL Code	-	-	-	-	-	-

WF4A072CG0A / WF4A090CG0A
WF4A105CG0A / WF4A130CG0A

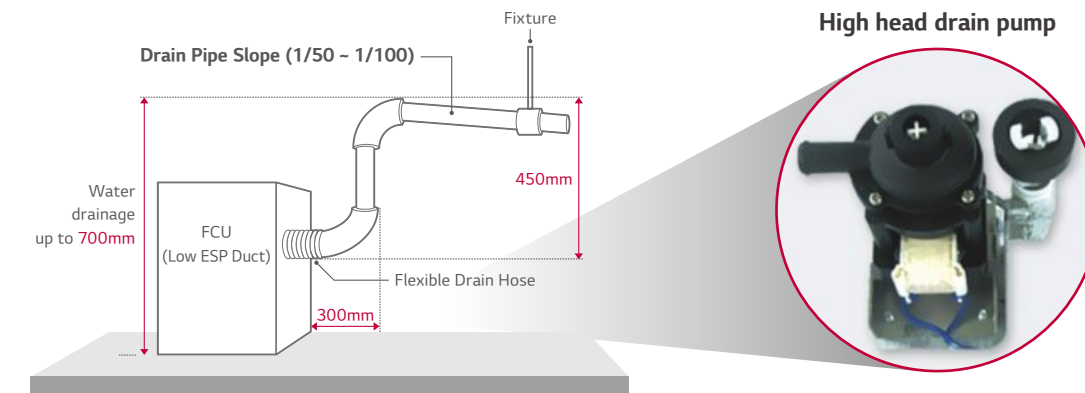


INDOOR			WF4A072CG0A	WF4A090CG0A	WF4A105CG0A	WF4A130CG0A
Power Supply	Ø, V, Hz		1, 220-230-240, 50/60	1, 220-230-240, 50/60	1, 220-230-240, 50/60	1, 220-230-240, 50/60
Running Current by Voltage	A		0.75-0.88-0.88	0.89-0.89-0.89	1.4-1.39-1.39	1.7-1.88-1.88
Capacity	Cooling	Condition A	7.2 (6,191)	9.0 (7,739)	10.5 (9,028)	13.0 (11,178)
		Condition B	4.8 (4,127)	6.0 (5,159)	7.0 (6,019)	8.7 (7,481)
		Condition C	5.8 (4,987)	7.3 (6,277)	8.5 (7,309)	10.5 (9,028)
		Condition D	2.9 (2,494)	3.7 (3,181)	4.3 (3,697)	5.3 (4,557)
	Heating	Condition A	7.9 (6,793)	9.7 (8,340)	11.1 (9,544)	13.3 (11,436)
		Condition B	9.3 (7,997)	11.5 (9,888)	13.4 (11,522)	15.7 (13,500)
Water Flow Rate	Cooling	Condition A	21.0	28.0	33.0	37.8
		Condition B	15.9	21.2	25.0	28.6
		Condition C	21.0	28.0	33.0	37.8
		Condition D	13.4	17.8	21.0	24.1
	Heating	Condition A	24.5	28.0	33.0	39.1
		Condition B	21.0	28.0	33.0	37.8
Head Loss	Cooling	Condition A	45.9	56.3	80.4	68.2
		Condition B	28.4	31.5	44.0	38.9
		Condition C	45.9	56.3	80.4	68.2
		Condition D	20.4	23.5	31.3	26.4
	Heating	Condition A	67.6	48.9	68.3	71.7
		Condition B	49.6	48.9	68.3	68.3
Power Input	Nominal	W	93	103	167	246
Running Current	Nominal	A	0.88	0.89	1.39	1.88
Fan	Type	-	Turbo Fan	Turbo Fan	Turbo Fan	Turbo Fan
	Air Flow Rate (H / M / L)	m³/min	21.0 / 19.0 / 17.0	25.0 / 21.0 / 19.0	31.0 / 28.0 / 25.0	41.0 / 36.0 / 30.0
Fan Motor	Type	-	BLDC	BLDC	BLDC	BLDC
	Drive	-	CCW	CCW	CCW	CCW
	Output	W x No.	40 x 1	156 x 1	156 x 1	136 x 1
	FLA (Full Load Ampere)	A	0.88	0.89	1.39	1.88
Dimensions	Net (W x H x D)	mm	840 x 204 x 840	840 x 246 x 840	840 x 246 x 840	840 x 288 x 840
Weight	Net	kg	20.8	23.2	23.2	25.1
	Shipping	kg	24.9	27.5	27.5	29.7
Air Filter	Type	-	-	-	-	-
Temperature Control	-	-	Microprocessor, Thermostat for cooling and heating			
Sound Absorbing / Thermal Insulation Material	-	-	Foamed polystyrene	Foamed polystyrene	Foamed polystyrene	Foamed polystyrene
Protection Device	-	-	Fuse	Fuse	Fuse	Fuse
Water Connecting Pipes	Inlet	-	BSPF G 3/4" (male)	BSPF G 3/4" (male)	BSPF G 3/4" (male)	BSPF G 3/4" (male)
	Outlet	-	BSPF G 3/4" (male)	BSPF G 3/4" (male)	BSPF G 3/4" (male)	BSPF G 3/4" (male)
Sound Pressure Level	Cooling (H / M / L)	dB(A)	51 / 48 / 46	51 / 47 / 43	55 / 53 / 51	57 / 53 / 50
	Heating (H / M / L)	dB(A)	51 / 48 / 46	51 / 47 / 43	55 / 53 / 51	57 / 53 / 50
Sound Power Level	Cooling (H / M / L)	dB(A)	57 / 55 / 52	59 / 54 / 51	63 / 61 / 58	65 / 61 / 57
	Heating (H / M / L)	dB(A)	57 / 55 / 52	59 / 54 / 51	63 / 61 / 58	65 / 61 / 57
Connecting Cable	Communication Cable (VCTF-SB)	mm² x cores	1.0 - 1.5	1.0 - 1.5	1.0 - 1.5	1.0 - 1.5
	Name	-	PT-UMC1/PT-MCHW0	PT-UMC1/PT-MCHW0	PT-UMC1/PT-MCHW0	PT-UMC1/PT-MCHW0
Decoration Panel #1 (Accessory)	Dimensions (W x H x D)	mm	950 x 35 x 950	950 x 35 x 950	950 x 35 x 950	950 x 35 x 950
	Color	-	Morning fog	Morning fog	Morning fog	Morning fog
	RAL Code	-	120-4	120-4	120-4	120-4
	Name	-	-	-	-	-
Decoration Panel #2 (Accessory)	Dimensions (W x H x D)	mm	-	-	-	-
	Color	-	-	-	-	-
	RAL Code	-	-	-	-	-



High Head Drain Pump

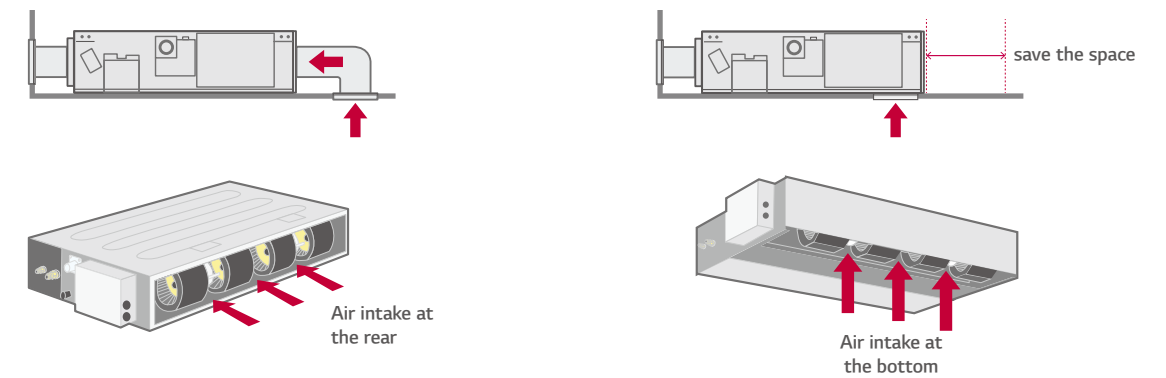
High head drain pump automatically drains water up to a height of 700mm of drain-head height.



※ All of LG's FCU's have a high head drain pump built in.

Flexible Installation

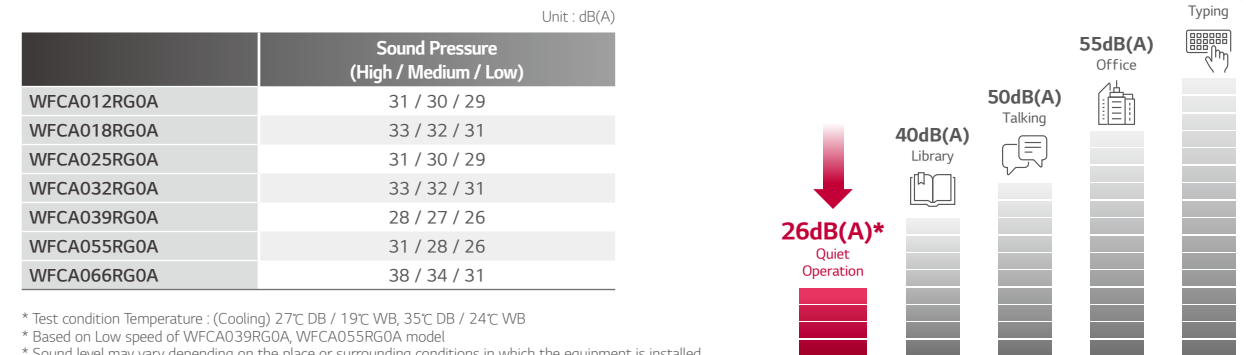
LG's Low ESP Duct FCU allows air intake from the rear or the bottom sides according to requirements.



Various way for air intake

Quiet Operation

The noise level of Low EPS Ducts does not interfere with conversation at all.



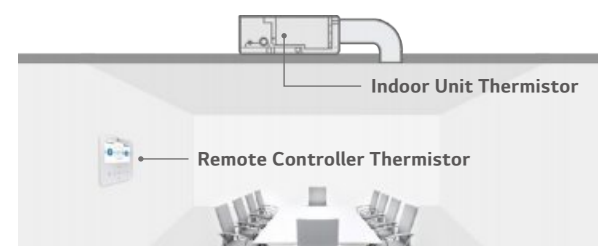
* Test condition Temperature : (Cooling) 27°C DB / 19°C WB, 35°C DB / 24°C WB
 * Based on Low speed of WFCA039RG0A, WFCA055RG0A model
 * Sound level may vary depending on the place or surrounding conditions in which the equipment is installed.

Two Thermistors Control

The indoor temperature can be checked using the thermistors in the remote controller as well as from the indoor unit. Two thermistors can check the optimal indoor air temperature for a more comfortable environment.

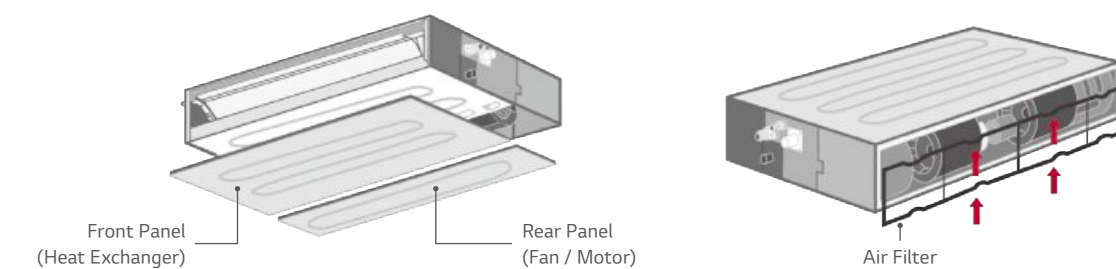
Compares temperatures sensed from different positions, and automatically selects the optimal temperature for users.

※ Need to connect the wired remote controller



Easy Service & Maintenance

Service engineers don't need to open the whole panel for maintenance, since the panel is divided into 2 components; one for heat exchanger and the other for fans/motor. User can easily detach and re-attach the air filter in the available limited space.



**WFA012RG0A / WFA018RG0A
WFA025RG0A / WFA032RG0A**



INDOOR			WFA012RG0A	WFA018RG0A	WFA025RG0A	WFA032RG0A
Power Supply	Ø, V, Hz		1, 220-230-240, 50	1, 220-230-240, 50	1, 220-230-240, 50	1, 220-230-240, 50
Running Current by Voltage	A		0.29-0.29-0.29	0.31-0.31-0.31	0.32-0.32-0.32	0.35-0.35-0.35
Capacity	Cooling	Condition A	1.3 (1,118)	1.8 (1,548)	2.5 (2,150)	3.2 (2,752)
		Condition B	1.1 (946)	1.5 (1,290)	2.1 (1,806)	2.7 (2,322)
		Condition C	1.2 (1,032)	1.6 (1,376)	2.2 (1,892)	2.8 (2,408)
		Condition D	0.7 (602)	0.9 (774)	1.3 (1,118)	1.6 (1,376)
Heating	Condition A	2.0 (1,721)	2.8 (2,408)	3.2 (2,752)	3.8 (3,267)	
	Condition B	2.1 (1,806)	3.0 (2,581)	3.6 (3,095)	4.4 (3,783)	
Water Flow Rate	Cooling	Condition A	4.0	5.6	7.4	9.3
		Condition B	4.0	5.6	7.4	9.3
		Condition C	4.0	5.6	7.4	9.3
		Condition D	2.7	4.0	5.0	6.3
Heating	Condition A	6.2	8.5	9.7	11.4	
	Condition B	4.0	5.6	7.4	9.3	
Head Loss	Cooling	Condition A	1.2	3.3	7.6	11.8
		Condition B	1.2	3.3	7.6	11.8
		Condition C	1.2	3.3	7.6	11.8
		Condition D	0.8	2.3	5.3	8.2
Heating	Condition A	4.4	8.5	12.5	17.8	
	Condition B	2.0	3.5	6.9	11.4	
Power Input	Nominal	W	8	17	20	27
Running Current	Nominal	A	0.29	0.31	0.32	0.35
Fan	Type	-	Sirocco Fan	Sirocco Fan	Sirocco Fan	Sirocco Fan
	Air Flow Rate (H / M / L)	m³/min	5.5 / 5.0 / 4.5	8.0 / 7.0 / 6.0	8.0 / 7.5 / 7.0	9.8 / 8.8 / 8.0
	External Static Pressure (Standard mode)	mmAq	0	0	0	0
	External Static Pressure (High mode)	mmAq	0	0	0	0
Fan Motor	Type	-	BLDC	BLDC	BLDC	BLDC
	Drive	-	CW	CW	CW	CW
	Output	W x No.	19 x 1	19 x 1	19 x 1 + 5 x 1	19 x 1 + 5 x 1
	FLA (Full Load Ampere)	A	0.29	0.31	0.32	0.35
Dimensions	Net (W x H x D)	mm	700 x 190 x 700	700 x 190 x 700	900 x 190 x 700	900 x 190 x 700
	Shipping (W x H x D)	mm	842 x 235 x 766	842 x 235 x 766	1,042 x 235 x 766	1,042 x 235 x 766
Weight	Net	kg	17.5	17.5	22.0	22.0
	Shipping	kg	21.9	21.9	26.9	26.9
Air Filter	Type	-	Pre Filter	Pre Filter	Pre Filter	Pre Filter
Temperature Control	-	-	Microprocessor, Thermostat for cooling and heating			
Sound Absorbing / Thermal Insulation Material	-	-	Foamed polystyrene	Foamed polystyrene	Foamed polystyrene	Foamed polystyrene
Protection Device	-	-	Fuse	Fuse	Fuse	Fuse
Water	Inlet	-	BSPF G 3/4" (male)	BSPF G 3/4" (male)	BSPF G 3/4" (male)	BSPF G 3/4" (male)
Connecting Pipes	Outlet	-	BSPF G 3/4" (male)	BSPF G 3/4" (male)	BSPF G 3/4" (male)	BSPF G 3/4" (male)
Sound Pressure Level	Cooling (H / M / L)	dB(A)	31 / 30 / 29	33 / 32 / 31	31 / 30 / 29	33 / 32 / 31
	Heating (H / M / L)	dB(A)	31 / 30 / 29	33 / 32 / 31	31 / 30 / 29	33 / 32 / 31
Sound Power Level	Cooling (H / M / L)	dB(A)	38 / 36 / 35	46 / 43 / 39	41 / 40 / 39	46 / 43 / 41
	Heating (H / M / L)	dB(A)	38 / 36 / 35	46 / 43 / 39	41 / 40 / 39	46 / 43 / 41
Connecting Cable	Communication Cable (VCTF-SB)	mm² x cores	1.0 - 1.5	1.0 - 1.5	1.0 - 1.5	1.0 - 1.5

**WFA039RG0A / WFA055RG0A
WFA066RG0A**



INDOOR			WFA039RG0A	WFA055RG0A	WFA066RG0A
Power Supply	Ø, V, Hz		1, 220-230-240, 50	1, 220-230-240, 50	1, 220-230-240, 50
Running Current by Voltage	A		0.26-0.37-0.37	0.36-0.44-0.44	0.70-0.71-0.71
Capacity	Cooling	Condition A	3.9 (3,353)	5.0 (4,299)	6.6 (5,675)
		Condition B	3.3 (2,837)	4.2 (3,611)	5.5 (4,729)
		Condition C	3.5 (3,009)	4.4 (3,783)	5.9 (5,073)
		Condition D	2.0 (1,721)	2.5 (2,150)	3.3 (2,837)
Heating	Condition A	4.2 (3,611)	5.3 (4,557)	6.6 (5,675)	
	Condition B	5.0 (4,299)	6.4 (5,503)	8.0 (6,879)	
Water Flow Rate	Cooling	Condition A	13.3	17.0	21.7
		Condition B	13.3	17.0	21.7
		Condition C	13.3	17.0	21.7
		Condition D	9.0	11.5	14.7
Heating	Condition A	13.3	17.0	21.7	
	Condition B	13.3	17.0	21.7	
Head Loss	Cooling	Condition A	21.7	39.0	53.9
		Condition B	21.7	39.0	53.9
		Condition C	21.7	39.0	53.9
		Condition D	5.7	27.2	37.6
Heating	Condition A	30.3	48.3	71.7	
	Condition B	30.3	48.3	71.7	
Power Input	Nominal	W	29	44	81
Running Current	Nominal	A	0.37	0.44	0.71
Fan	Type	-	Sirocco Fan	Sirocco Fan	Sirocco Fan
	Air Flow Rate (H / M / L)	m³/min	10.7 / 9.3 / 7.2	14.4 / 10.7 / 9.3	20.1 / 17.3 / 14.4
	External Static Pressure (Standard mode)	mmAq	0	0	0
	External Static Pressure (High mode)	mmAq	0	0	0
Fan Motor	Type	-	BLDC	BLDC	BLDC
	Drive	-	CW	CW	CW
	Output	W x No.	19 x 2	19 x 2	19 x 2
	FLA (Full Load Ampere)	A	0.37	0.44	0.71
Dimensions	Net (W x H x D)	mm	1,100 x 190 x 700	1,100 x 190 x 700	1,100 x 190 x 700
	Shipping (W x H x D)	mm	1,242 x 235 x 766	1,242 x 235 x 766	1,242 x 235 x 766
Weight	Net	kg	26.2	26.2	26.2
	Shipping	kg	30.7	30.7	30.7
Air Filter	Type	-	Pre Filter	Pre Filter	Pre Filter
Temperature Control	-	-	Microprocessor, Thermostat for cooling and heating		
Sound Absorbing / Thermal Insulation Material	-	-	Foamed polystyrene	Foamed polystyrene	Foamed polystyrene
Protection Device	-	-	Fuse	Fuse	Fuse
Water	Inlet	-	BSPF G 3/4" (male)	BSPF G 3/4" (male)	BSPF G 3/4" (male)
Connecting Pipes	Outlet	-	BSPF G 3/4" (male)	BSPF G 3/4" (male)	BSPF G 3/4" (male)
Sound Pressure Level	Cooling (H / M / L)	dB(A)	28 / 27 / 26	31 / 28 / 26	38 / 34 / 31
	Heating (H / M / L)	dB(A)	28 / 27 / 26	31 / 28 / 26	38 / 34 / 31
Sound Power Level	Cooling (H / M / L)	dB(A)	43 / 41 / 40	47 / 42 / 41	55 / 52 / 48
	Heating (H / M / L)	dB(A)	43 / 41 / 40	47 / 42 / 41	55 / 52 / 48
Connecting Cable	Communication Cable (VCTF-SB)	mm² x cores	1.0 - 1.5	1.0 - 1.5	1.0 - 1.5



LG GC Scroll Chiller: the ultimate in customizable air solutions

The LG Scroll Chiller series offers a wide range of up to 20 models that can be built as chillers, free cooling or heat pumps. This solution also boasts 3 different acoustic configurations, 6 dimensional frames and a capacity range between 55 to 360 kW.

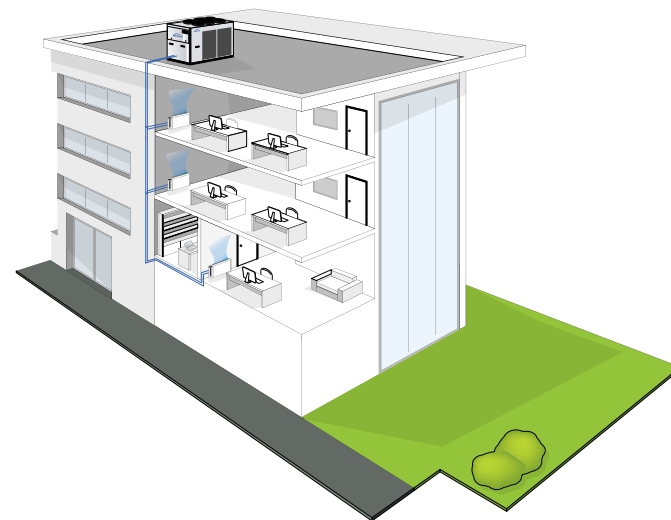


Designed to meet your needs

The possibility of setting up different cooling circuits in units of the same power allows for personalized efficiency levels under full or part load conditions.

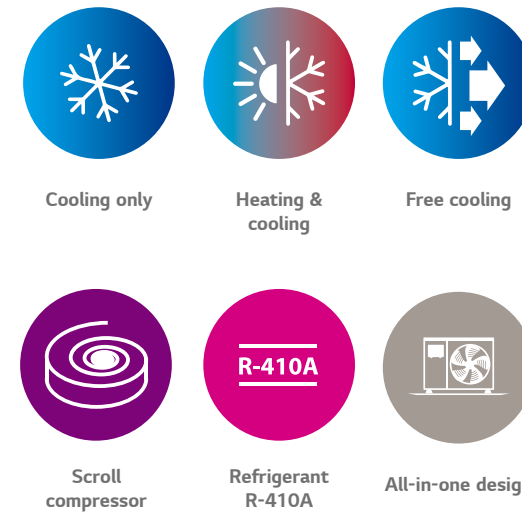
- **1 circuit, 2 compressors.** Using 2 compressors in a single cooling circuit increases efficiency under part load conditions, reaching ESEER/SEER and SCOP values greater than 4.
- **2 circuits, 4 compressors.** Using 4 compressors allows for a 4-step power output that can adapt perfectly to the actual thermal load of the system, while reducing starting currents.

Complete hydronic kits can be incorporated within the units without modifying their size and you have the option of choosing the water circulation pump. All units, irrespective of type of construction, are equipped with electronic expansion valves to maximize efficiency under part load conditions.



Heat pumps and water chillers are designed for heating or cooling the water to be used in air-conditioning systems for residential, commercial or industrial use.

Key Features



Added Benefits

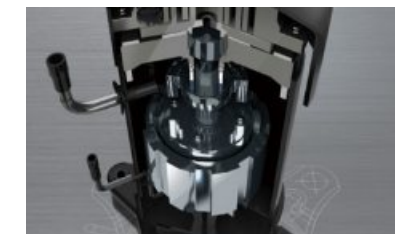


Advanced Components



Accessible structure

Maintenance and/or inspection are simple with an easily accessible, completely sealed compressor compartment that can be reached from removable panels on 3 sides. Structure is secured by a galvanized steel sheet with a polyester powder coating that is optimal for outdoor durability.



Reliable scroll compressors

Complete with motor protection against overheating, overcurrents and excessive outlet gas temperatures, scroll compressors allow for reliability and limited sound emissions.



Efficient heat exchanger

Made of large aluminium fins and copper piping, the heat exchanger has been specially engineered for rapid defrost cycles in heat pump models allowing for integrated efficiency of the entire system.



Electronic Microprocessor Control

The microprocessor completely manages the unit, allowing for automatic setpoint adjustments according to outdoor temperatures to reduce consumption and broaden the working temperature range. With the advanced microprocessor control it is possible to set up LAN networks for controlling up to 4 units in parallel.



Fan drive assembly

Axial fans with airfoil blades made of plastic aluminum composite are connected to an electric motor with external rotor. The condensation control system continuously and automatically regulates the fan speed. Electric fans with BLDC motor are available on request.



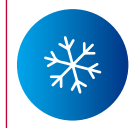
Cooling circuit flexibility

The device is available in two different versions with the same power (efficiency pack), using:

- R410A scroll compressors
- Brazed plate heat exchangers
- Finned block condenser
- Electronic expansion valve



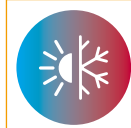
Cooling only Chiller



The LG Cooling Only Chiller is designed to cool the water with reduced energy consumption to be used in several applications to sectors like residential, commercial, data center and industrial applications. Water based applications with big cooling loads are the perfect fit for chilled water solutions like the LG Cooling Only Chiller, which is available in standard and low noise configuration.



Heat pump Chiller



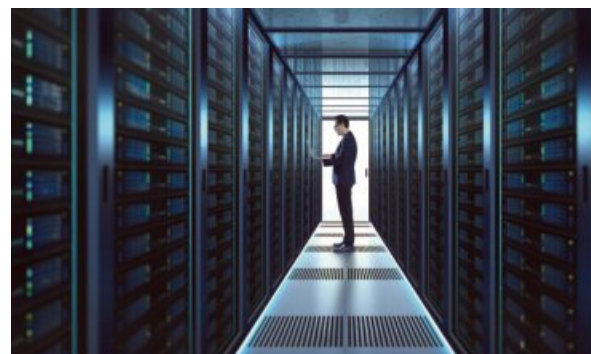
The LG Reversible Heat Pump Chiller is designed for different types of applications for residential, commercial, data center and industrial use. In transitional times and in the change of seasons LG Heat Pumps are a perfect match for those kind of applications. Reduce the cost of existing heating systems by replacing or combining them with LG Reversible Heat Pumps. LG Heat Pumps are available in Standard and Low-Noise configuration.



Free cooling Chiller



The LG Free Cooling Chiller is designed for data center, paper industry or other energy intensive applications for energy cost reduction of up to 75% from traditional cooling using compressor energy. This process grants a low payback period by reducing ongoing energy costs whereby power intensive compressors are only switched on when the outside temperature is too high for free cooling. LG Free Cooling is available in low noise configuration.



CONFIGURATION

The models are completely configurable by selecting the version and the options. To the right is shown an example of configuration.

Version	Fields	1	2	3	4	5	6	7	8	9	10	11	12	13
GCAS**8YGA		0	B	1	S	0	0	S	1	0	0	G	0	V

To verify the compatibility of the options, use the selection software or the price list.

Configuration Options

Only cooling versions

- GCAS-Y Standard execution
- GCAS-Z Low noise execution

Reversible heat pump versions

- GCHS-Y Standard execution
- GCHS-Z Low noise execution

Free cooling version

- GCFS-Z Low noise execution

Configuration Options

- 0 400/3/50 + N
- 1 400/3/50 with transformer
- 2 400/3/50 + N + Circuit breakers
- 3 400/3/50 with transformer+ Circuit breakers

2 ONBOARD CONTROLLER AND EXPANSION VALVE (MANDATORY)

- B Advanced + electronic expansion valve

3 USER SIDE WATER PUMP

- 0 Absent
- 1 LP pump + expansion vessel
- 2 HP pump + expansion vessel
- 3 Double pump LP parallel operation and expansion vessel
- 4 Double pump HP parallel operation and expansion vessel
- 5 LP run and standby double pump + expansion vessel
- 6 HP run and standby double pump + expansion vessel

4 WATER BUFFER TANK

- 0 Absent
- S Selected user side

5 PARTIAL HEAT RECOVERY

- 0 Absent
- D Desuperheater with water pump free contact

6 AIR FLOW MODULATION

- 0 Absent
- C Condensation control by phase-cut fans
- E Condensation control performed by EC fans

7 ANTIFREEZING KIT

- 0 Absent
- E Evaporator
- P Evaporator and water pump
- S Evaporator, water pump and water buffer tank

8 REMOTE COMMUNICATION

- 0 Absent
- 1 RS485 serial board (Carel / Modbus protocol)
- 2 LON FTT10 serial board
- 3 GSM modem board
- 4 BACNET IP / PCOWEB serial board

9 SPECIAL COILS / PROTECTIVE TREATMENTS

- 0 Standard
- B Pre-painted fins with epoxy painting
- C Cataphoresis
- R Copper-copper

10 PACKING

- 0 Standard
- 1 Wooden cage
- 2 Wooden crate

11 ANTI VIBRATION SHOCK MOUNTS

- 0 Absent
- G Rubber anti vibration shock mounts
- M Spring anti vibration shock mounts

12 REMOTE CONTROL

- 0 Absent
- 1 Remote simplified user panel
- 2 Remote simplified user panel for standard controller
- 3 Remote simplified user panel for advanced controller

13 UNIT INSTALLATION ACCESSORIES

- 0 Absent
- V Pair of couplings Victaulic

Accessories

- A Power factor capacitors
- B Soft starter
- C Service kit (mandatory)
- D Clock board
- E ON/OFF status of the compressors
- F Remote control for step capacity limit
- G Configurable digital alarm board
- H Set point compensation outdoor temperature probe
- I Refrigerant pressure gauges
- L Filter regulating kit
- M Directives reference other than "2014/68/UE - PED"
- N Unit lifting pipes
- P Outdoor finned coil heat exchanger protection grille
- Q Outdoor finned coil heat exchanger protection filters

LG GC SCROLL CHILLERS TECHNICAL DATA

GCAS Y		GCAS0258YGA	GCAS0308YGA	GCAS0358YGA	GCAS0408YGA	GCAS0458YGA	GCAS0508YGA
Cooling capacity (1)	kW	89.0	102.1	119.3	143.7	152.3	183.1
Cooling capacity [UNI EN 14511]	kW	88.6	101.6	118.8	143.1	151.7	182.4
Water Flow user side	l/h	15,285	17,530	20,491	24,674	26,160	31,447
Water Pressure drops user side	kPa	32	32	34	36	36	37
Compressor power input	kW	29.3	33.1	38.3	46.9	52.5	59.2
Compressor absorbed current	A	47.0	53.1	61.4	75.2	84.1	94.9
Total Power input	kW	31.8	35.6	41.6	50.2	55.8	64.9
Total Power input [UNI EN 14511]	kW	32.2	36.0	42.1	50.8	56.4	65.6
Total Absorbed Current	A	58.4	64.5	76.5	90.5	99.4	107.7
EER		2.80	2.87	2.87	2.86	2.73	2.82
EER [UNI EN 14511]		2.75	2.82	2.82	2.82	2.69	2.78
ESEER		3.61	3.37	3.76	3.64	3.68	3.59
SEER		4.14	4.45	3.99	4.20	4.19	4.28
Maximum absorbed current (FLA) [without options]	A	91	101	120.3	129	150	155
Start up current (LRA) [without options]	A	261	269	247	245	266	310
Start up current with Soft Starter kit [without options]	A	199	207	172	186	214	248
Sound power level Lw (base unit)	dB(A)	86	86	85	85	85	88
Sound pressure level Lp (base unit) @ 10 m	dB(A)	55	55	54	54	54	57
Air Flow	m³/h	34,900	34,900	46,700	45,500	45,500	69,000
Number of Fans		6	6	8	8	8	6
Fan power input	kW	2.5	2.5	3.3	3.3	3.3	5.7
Fan absorbed current	A	11.3	11.3	15.1	15.3	15.3	12.8
Compressors/Circuits		2/1	2/1	4/2	4/2	4/2	4/2
Buffer tank volume (option)	l	220	220	340	340	340	600
Power Supply		400 / 3+N / 50	400 / 3+N / 50	400 / 3+N / 50	400 / 3+N / 50	400 / 3+N / 50	400 / 3+N / 50
Refrigerant		R410A	R410A	R410A	R410A	R410A	R410A
Dimensions [L x D x H]	mm	2,360 x 1,185 x 1,720	2,360 x 1,185 x 1,720	3,540 x 1,185 x 1,720	3,540 x 1,185 x 1,720	3,540 x 1,185 x 1,720	3,540 x 1,654 x 1,830
Frame Size		2	2	3+	3+	3+	4
Weight without options	kg	730	730	1,050	1,070	1,220	1,460

(1) Cooling capacity Water 0% glycol 7-12°C OA 35°C

GCAS Y		GCAS0558YGA	GCAS0708YGA	GCAS0758YGA	GCAS0808YGA	GCAS0908YGA	GCAS1008YGA
Cooling capacity (1)	kW	202.0	245.7	264.2	294.0	328.7	355.0
Cooling capacity [UNI EN 14511]	kW	201.2	244.8	263.2	293.1	327.6	353.9
Water Flow user side	l/h	34,689	42,201	45,368	50,493	56,447	60,969
Water Pressure drops user side	kPa	38	38	39	40	41	41
Compressor power input	kW	69.7	89.3	82.3	95.9	110.1	129.5
Compressor absorbed current	A	111.8	143.2	132.0	153.7	176.6	207.6
Total Power input	kW	75.4	94.9	89.6	103.4	117.6	137.0
Total Power input [UNI EN 14511]	kW	76.2	95.7	90.5	104.3	118.7	138.1
Total Absorbed Current	A	124.6	155.6	148.3	170.5	193.4	224.4
EER		2.68	2.59	2.95	2.84	2.79	2.59
EER [UNI EN 14511]		2.64	2.56	2.91	2.81	2.76	2.56
ESEER		3.72	3.68	3.71	3.62	3.59	3.54
SEER		4.31	4.19	4.33	4.37	4.12	4.15
Maximum absorbed current (FLA) [without options]	A	173	196	224	237	251	300
Start up current (LRA) [without options]	A	330	380	403	468	476	497
Start up current with Soft Starter kit [without options]	A	268	315	338	385	393	440
Sound power level Lw (base unit)	dB(A)	89	89	89	89	89	90
Sound pressure level Lp (base unit) @ 10 m	dB(A)	58	58	58	58	58	59
Air Flow	m³/h	69,000	73,500	102,000	96,500	96,500	96,500
Number of Fans		6	6	8	8	8	8
Fan power input	kW	5.7	5.6	7.3	7.5	7.5	7.5
Fan absorbed current	A	12.8	12.5	16.2	16.7	16.7	16.7
Compressors/Circuits		4/2	4/2	4/2	4/2	4/2	4/2
Buffer tank volume (option)	l	600	600	765	765	765	765
Power Supply		400 / 3+N / 50	400 / 3+N / 50	400 / 3+N / 50	400 / 3+N / 50	400 / 3+N / 50	400 / 3+N / 50
Refrigerant		R410A	R410A	R410A	R410A	R410A	R410A
Dimensions [L x D x H]	mm	3,540 x 1,654 x 1,830	3,540 x 1,654 x 2,174	4,296 x 1,654 x 2,174	4,296 x 1,654 x 2,174	4,296 x 1,654 x 2,174	4,296 x 1,654 x 2,174
Frame Size		4	5	6	6	6	6
Weight without options	kg	1,470	1,620	1,880	1,912	1,947	1,947

(1) Cooling capacity Water 0% glycol 7-12°C OA 35°C

LG GC SCROLL CHILLERS TECHNICAL DATA

GCAS Z		GCAS0208ZGA	GCAS0258ZGA	GCAS0308ZGA	GCAS0358ZGA	GCAS0408ZGA	GCAS0458ZGA	GCAS0508ZGA
Cooling capacity (1)	kW	66.9	90.8	105.0	117.0	133.7	152.7	177.8
Cooling capacity [UNI EN 14511]	kW	66.5	90.4	104.5	116.5	133.1	152.1	177.1
Water Flow user side	l/h	11,481	15,594	18,027	20,090	22,953	26,228	30,531
Water Pressure drops user side	kPa	29	32	34	34	36	37	37
Compressor power input	kW	21.9	30.1	34.5	37.4	42.8	52.2	59.7
Compressor absorbed current	A	35.2	48.2	55.4	60.0	68.6	83.8	95.8
Total Power input	kW	22.7	31.1	35.5	40.5	45.9	55.4	62.9
Total Power input [UNI EN 14511]	kW	23.0	31.5	36.0	41.0	46.5	56.1	63.6
Total Absorbed Current	A	38.5	52.6	59.8	66.9	75.6	90.9	102.9
EER		2.95	2.92	2.95	2.89	2.91	2.76	2.83
EER [UNI EN 14511]		2.90	2.87	2.90	2.84	2.86	2.71	2.78
ESEER		4.02	3.86	3.95	3.64	3.91	3.71	3.54
SEER		4.39	4.15	4.46	4.23	4.16	4.15	4.21
Maximum absorbed current (FLA) [without options]	A	55	81	87	96	105	126	148
Start up current (LRA) [without options]	A	183	194	198	220	222	241	307
Start up current with Soft Starter kit [without options]	A	124	122	137	146	163	189	245
Sound power level Lw (base unit)	dB(A)	80	80	80	80	80	80	85
Sound pressure level Lp (base unit) @ 10 m	dB(A)	49	49	49	49	49	49	54
Air Flow	m³/h	24,400	32,800	32,800	60,400	60,400	57,000	57,000
Number of Fans		6	8	8	6	6	6	6
Fan power input	kW	0.7	1.0	1.0	3.1	3.1	3.2	3.2
Fan absorbed current	A	3.3	4.4	4.4	7.0	7.0	7.1	7.1
Compressors/Circuits		2/1	4/2	4/2	4/2	4/2	4/2	4/2
Buffer tank volume (option)	l	220	340	340	600	600	600	600
Power Supply		400 / 3+N / 50	400 / 3+N / 50	400 / 3+N / 50	400 / 3+N / 50	400 / 3+N / 50	400 / 3+N / 50	400 / 3+N / 50
Refrigerant		R410A	R410A	R410A	R410A	R410A	R410A	R410A
Dimensions [L x D x H]	mm	2,360 x 1,185 x 1,720	3,540 x 1,185 x 1,720	3,540 x 1,185 x 1,720	3,540 x 1,654 x 1,830	3,540 x 1,654 x 1,830	3,540 x 1,654 x 1,830	3,540 x 1,654 x 1,830
Frame Size		2	3+	3+	4	4	4	4
Weight without options	kg	635	980	980	1,275	1,290	1,440	1,460

(1) Cooling capacity Water 0% glycol 7-12°C OA 35°C

GCAS Z		GCAS0558ZGA	GCAS0708ZGA	GCAS0758ZGA	GCAS0808ZGA	GCAS0908ZGA	GCAS1008ZGA
Cooling capacity (1)	kW	197.8	219.8	255.9	278.8	316.3	338.1
Cooling capacity [UNI EN 14511]	kW	197.0	219.0	25.0	277.9	315.2	336.9
Water Flow user side	l/h	33,965	37,745	43,948	47,875	54,311	58,055
Water Pressure drops user side	kPa	37	38	38	39	40	41
Compressor power input	kW	70.4	80.0	85.0	102.2	116.8	144.2
Compressor absorbed current	A	112.8	128.2	136.3	163.9	187.4	231.3
Total Power input	kW	73.5	83.1	89.1	106.4	121.0	148.4
Total Power input [UNI EN 14511]	kW	74.2	83.9	90.0	107.3	122.1	149.5
Total Absorbed Current	A	119.8	135.2	145.4	173.3	196.8	240.7
EER		2.69	2.65	2.87	2.62	2.61	2.28
EER [UNI EN 14511]		2.65	2.61	2.83	2.59	2.58	2.25
ESEER		3.69	3.61	3.50	3.54	3.56	3.49
SEER		4.25	4.16	4.28	4.34	4.10	4.12
Maximum absorbed current (FLA) [without options]	A	167	190	215	229	242	290
Start up current (LRA) [without options]	A	318	382	398	464	472	487
Start up current with Soft Starter kit [without options]	A	256	317	333	381	389	430
Sound power level Lw (base unit)	dB(A)	85	85	87	87	87	88
Sound pressure level Lp (base unit) @ 10 m	dB(A)	54	54	56	56	56	57
Air Flow	m³/h	60,200	60,200	82,800	78,700	78,700	78,700
Number of Fans		6	6	8	8	8	8
Fan power input	kW	3.1	3.1	4.1	4.2	4.2	4.2
Fan absorbed current	A	7.0	7.0	9.2	9.4	9.4	9.4
Compressors/Circuits		4/2	4/2	4/2	4/2	4/2	4/2
Buffer tank volume (option)	l	600	600	765	765	765	765
Power Supply		400 / 3+N / 50	400 / 3+N / 50	400 / 3+N / 50	400 / 3+N / 50	400 / 3+N / 50	400 / 3+N / 50
Refrigerant		R410A	R410A	R410A	R410A	R410A	R410A
Dimensions [L x D x H]	mm	3,540 x 1,654 x 2,174	3,540 x 1,654 x 2,174	4,296 x 1,654 x 2,174	4,296 x 1,654 x 2,174	4,296 x 1,654 x 2,174	4,296 x 1,654 x 2,174
Frame Size		5	5	6	6	6	6
Weight without options	kg	1,510	1,620	1,880	1,912	1,947	1,947

(1) Cooling capacity Water 0% glycol 7-12°C OA 35°C

LG GC SCROLL CHILLERS TECHNICAL DATA

GCHS Y		GCHS0258YGA	GCHS0308YGA	GCHS0358YGA	GCHS0408YGA	GCHS0458YGA	GCHS0508YGA
Cooling capacity (1)	kW	87.8	100.6	117.6	141.5	150.1	180.2
Cooling capacity [UNI EN 14511]	kW	87.5	100.2	117.2	141.0	149.5	179.5
Water Flow user side	l/h	15,080	17,276	20,189	24,308	25,773	30,948
Water Pressure drops user side	kPa	24	26	25	31	32	34
Compressor power input	kW	29.3	32.6	38.3	46.9	52.5	59.2
Compressor absorbed current	A	47.0	52.2	61.5	75.2	84.1	94.9
Total Power input	kW	31.8	35.0	41.6	50.2	55.8	64.9
Total Power input [UNI EN 14511]	kW	32.1	35.4	42.0	50.7	56.3	65.6
Total Absorbed Current	A	58.4	63.6	76.6	90.5	99.4	107.7
EER		2.76	2.87	2.83	2.82	2.69	2.78
EER [UNI EN 14511]		2.73	2.83	2.79	2.78	2.66	2.74
ESEER		3.54	3.30	3.69	3.56	3.60	3.52
SEER		4.11	4.38	3.97	4.16	4.15	3.64
Heating capacity (2)	kW	106.2	119.5	146.1	167.9	180.4	213.1
Heating capacity [UNI EN 14511]	kW	106.7	120.0	146.7	168.6	181.3	214.0
Water Flow user side	l/h	18,461	20,768	25,387	29,176	31,359	37,031
Water Pressure drops user side	kPa	36	37	39	44	47	48
Compressor power input	kW	27.1	31.3	37.8	43.3	46.6	57.9
Compressor absorbed current	A	43.4	50.1	60.6	69.4	74.8	92.9
Total Power input	kW	29.5	33.7	41.0	46.6	49.9	63.6
Total Power input [UNI EN 14511]	kW	30.0	34.2	41.7	47.3	50.7	64.6
Total Absorbed Current	A	54.7	61.4	75.7	84.6	90.0	105.6
COP		3.60	3.55	3.56	3.61	3.62	3.35
COP [UNI EN 14511]		3.56	3.51	3.52	3.56	3.57	3.31
SCOP		4.22	4.30	4.11	4.10	4.06	3.64
ERP Efficiency		167.00	170.00	162.00	162.00	160.00	143.00
ERP Efficiency Class		A++ / LT. Heat Pump	A++ / LT. Heat Pump	A++ / LT. Heat Pump	A++ / LT. Heat Pump	A++ / LT. Heat Pump	A+ / LT. Heat Pump
Maximum absorbed current (FLA) [without options]	A	91	101	120	129	150	155
Start up current (LRA) [without options]	A	261	269	247	245	266	310
Start up current with Soft Starter kit [without options]	A	199	207	172	186	214	248
Sound power level Lw (base unit)	dB(A)	86	86	85	85	85	88
Sound pressure level Lp (base unit) @ 10 m	dB(A)	55	55	54	54	54	57
Air Flow	m³/h	34,900	34,900	46,700	45,500	45,500	69,000
Number of Fans		6	6	8	8	8	6
Fan power input	kW	2.5	2.5	3.3	3.3	3.3	5.7
Fan absorbed current	A	11.3	11.3	15.1	15.3	15.3	12.8
Compressors/Circuits		2/1	2/1	4/2	4/2	4/2	4/2
Buffer tank volume (option)	l	220	220	340	340	340	600
Power Supply		400 / 3+N / 50	400 / 3+N / 50	400 / 3+N / 50	400 / 3+N / 50	400 / 3+N / 50	400 / 3+N / 50
Refrigerant		R410A	R410A	R410A	R410A	R410A	R410A
Dimensions [L x D x H]	mm	2,360 x 1,185 x 1,720	2,360 x 1,185 x 1,720	3,540 x 1,185 x 1,720	3,540 x 1,185 x 1,720	3,540 x 1,185 x 1,720	3,540 x 1,654 x 1,830
Frame Size		2	2	3+	3+	3+	4
Weight without options	kg	730	730	1,050	1,070	1,220	1,460

(1) Cooling capacity Water 0% glycol 7-12°C OA 35°C
 (2) Heating capacity Water 0% glycol 40-45°C OA 7°C 89%RH

GCHS Y		GCHS0558YGA	GCHS0708YGA	GCHS0758YGA	GCHS0808YGA	GCHS0908YGA	GCHS1008YGA
Cooling capacity (1)	kW	199.0	242.1	260.3	289.7	324.2	349.5
Cooling capacity [UNI EN 14511]	kW	198.3	241.3	259.4	288.7	323.2	348.5
Water Flow user side	l/h	34,175	41,577	44,698	49,746	55,669	60,026
Water Pressure drops user side	kPa	35	35	35	35	37	35
Compressor power input	kW	69.8	89.3	82.2	95.9	110.5	129.5
Compressor absorbed current	A	111.9	143.2	131.9	153.7	177.2	207.7
Total Power input	kW	75.5	94.9	89.5	103.4	118.0	137.0
Total Power input [UNI EN 14511]	kW	76.2	95.7	90.4	104.3	119.0	138.0
Total Absorbed Current	A	124.7	155.7	148.1	170.5	193.9	224.4
EER		2.64	2.55	2.91	2.80	2.75	2.55
EER [UNI EN 14511]		2.60	2.52	2.87	2.77	2.72	2.53
ESEER		3.64	3.61	3.63	3.55	3.52	3.47
SEER		3.67	3.55	3.69	3.73	3.86	4.04
Heating capacity (2)	kW	231.9	280.3	307.6	341.8	373.4	417.9
Heating capacity [UNI EN 14511]	kW	232.8	281.4	308.9	343.2	374.9	419.5
Water Flow user side	l/h	40,301	48,719	53,462	59,409	64,891	72,629
Water Pressure drops user side	kPa	48	48	50	50	51	51
Compressor power input	kW	64.3	78.9	80.2	90.6	101.4	119.2
Compressor absorbed current	A	103.1	126.6	128.6	145.3	162.6	191.1
Total Power input	kW	70.0	84.5	87.4	98.1	108.9	126.7
Total Power input [UNI EN 14511]	kW	71.0	85.6	88.7	99.5	110.3	128.3
Total Absorbed Current	A	115.9	138.9	144.8	162.1	179.3	207.8
COP		3.31	3.32	3.52	3.48	3.43	3.30
COP [UNI EN 14511]		3.28	3.29	3.48	3.45	3.40	3.27
SCOP		3.64	3.66	3.71	3.74	3.75	3.69
ERP Efficiency		143.00	144.00	146.00	147.00	148.00	145.00
ERP Efficiency Class		A+ / LT. Heat Pump	A+ / LT. Heat Pump	A+ / LT. Heat Pump	A+ / LT. Heat Pump	A+ / LT. Heat Pump	A+ / LT. Heat Pump
Maximum absorbed current (FLA) [without options]	A	173	196	224	237	251	300
Start up current (LRA) [without options]	A	330	380	403	468	476	497
Start up current with Soft Starter kit [without options]	A	268	315	338	385	393	440
Sound power level Lw (base unit)	dB(A)	89	89	89	89	89	90
Sound pressure level Lp (base unit) @ 10 m	dB(A)	58	58	58	58	58	59
Air Flow	m³/h	69,000	73,500	102,000	96,500	96,500	96,500
Number of Fans		6	6	8	8	8	8
Fan power input	kW	5.7	5.6	7.3	7.5	7.5	7.5
Fan absorbed current	A	12.8	12.5	16.2	16.7	16.7	16.7
Compressors/Circuits		4/2	4/2	4/2	4/2	4/2	4/2
Buffer tank volume (option)	l	600	600	765	765	765	765
Power Supply		400 / 3+N / 50	400 / 3+N / 50	400 / 3+N / 50	400 / 3+N / 50	400 / 3+N / 50	400 / 3+N / 50
Refrigerant		R410A	R410A	R410A	R410A	R410A	R410A
Dimensions [L x D x H]	mm	3,540 x 1,654 x 1,830	3,540 x 1,654 x 2,174	4,296 x 1,654 x 2,174	4,296 x 1,654 x 2,174	4,296 x 1,654 x 2,174	4,296 x 1,654 x 2,174
Frame Size		4	5	6	6	6	6
Weight without options	kg	1,470	1,620	1,880	1,912	1,947	1,947

(1) Cooling capacity Water 0% glycol 7-12°C OA 35°C
 (2) Heating capacity Water 0% glycol 40-45°C OA 7°C 89%RH

LG GC SCROLL CHILLERS TECHNICAL DATA

GCHS Z		GCHS0208ZGA	GCHS0258ZGA	GCHS0308ZGA	GCHS0358ZGA	GCHS0408ZGA	GCHS0458ZGA
Cooling capacity (1)	kW	65.7	89.2	103.5	115.5	132.7	150.7
Cooling capacity [UNI EN 14511]	kW	65.4	88.8	103.1	115.1	132.2	150.1
Water Flow user side	l/h	11,285	15,313	17,778	19,842	22,795	25,881
Water Pressure drops user side	kPa	24	25	29	27	29	32
Compressor power input	kW	22.0	30.2	34.7	37.6	43.5	52.7
Compressor absorbed current	A	35.3	48.5	55.7	60.3	69.7	84.5
Total Power input	kW	22.7	31.2	35.7	40.7	46.6	55.9
Total Power input [UNI EN 14511]	kW	23.0	31.6	36.1	41.2	47.1	56.5
Total Absorbed Current	A	38.6	52.9	60.1	67.3	76.7	91.6
EER		2.89	2.86	2.90	2.84	2.85	2.70
EER [UNI EN 14511]		2.84	2.81	2.85	2.80	2.81	2.66
ESEER		3.94	3.78	3.87	3.57	3.83	3.64
SEER		4.35	4.13	4.42	3.61	3.88	3.88
Heating capacity (2)	kW	75.9	104.7	117.0	138.3	153.8	172.7
Heating capacity [UNI EN 14511]	kW	76.3	105.2	117.6	138.9	154.4	173.5
Water Flow user side	l/h	13,190	18,200	20,336	24,033	26,722	30,016
Water Pressure drops user side	kPa	33	36	37	40	40	43
Compressor power input	kW	20.3	28.3	32.3	35.7	39.9	49.8
Compressor absorbed current	A	32.5	45.4	51.7	57.2	64.0	79.9
Total Power input	kW	21.0	29.3	33.3	38.8	43.1	53.0
Total Power input [UNI EN 14511]	kW	21.4	29.8	33.8	39.4	43.7	53.8
Total Absorbed Current	A	35.8	49.8	56.2	64.2	71.0	87.1
COP		3.61	3.57	3.52	3.56	3.57	3.26
COP [UNI EN 14511]		3.56	3.53	3.48	3.52	3.53	3.22
SCOP		4.38	4.13	4.19	4.22	3.74	3.91
ERP Efficiency		173.00	163.00	165.00	167.00	148.00	154.00
ERP Efficiency Class		A++ / LT. Heat Pump	A++ / LT. Heat Pump	A++ / LT. Heat Pump	A++ / LT. Heat Pump	A+ / LT. Heat Pump	A++ / LT. Heat Pump
Maximum absorbed current (FLA) [without options]	A	55	81	87	96	105	126
Start up current (LRA) [without options]	A	183	194	198	220	222	241
Start up current with Soft Starter kit [without options]	A	124	122	137	146	163	189
Sound power level Lw (base unit)	dB(A)	80	80	80	80	80	80
Sound pressure level Lp (base unit) @ 10 m	dB(A)	49	49	49	49	49	49
Air Flow	m³/h	24,400	32,800	32,800	60,400	60,400	57,000
Number of Fans		6	8	8	6	6	6
Fan power input	kW	0.7	1.0	1.0	3.1	3.1	3.2
Fan absorbed current	A	3.3	4.4	4.4	7.0	7.0	7.1
Compressors/Circuits		2/1	4/2	4/2	4/2	4/2	4/2
Buffer tank volume (option)	l	220	340	340	600	600	600
Power Supply		400 / 3+N / 50	400 / 3+N / 50	400 / 3+N / 50	400 / 3+N / 50	400 / 3+N / 50	400 / 3+N / 50
Refrigerant		R410A	R410A	R410A	R410A	R410A	R410A
Dimensions [L x D x H]	mm	2,360 x 1,185 x 1,720	3,540 x 1,185 x 1,720	3,540 x 1,185 x 1,720	3,540 x 1,654 x 1,830	3,540 x 1,654 x 1,830	3,540 x 1,654 x 1,830
Frame Size		2	3+	3+	4	4	4
Weight without options	kg	635	980	980	1,275	1,290	1,440

(1) Cooling capacity Water 0% glycol 7-12°C OA 35°C
(2) Heating capacity Water 0% glycol 40-45°C OA 7°C 89%RH

GCFS Z		GCFS0258ZGA	GCFS0308ZGA	GCFS0358ZGA	GCFS0408ZGA	GCFS0458ZGA	GCFS0508ZGA
Cooling capacity (1)	kW	93.00	105.50	121.50	132.70	153.80	180.50
Cooling capacity [UNI14511]	kW	92.60	105.00	120.90	132.00	153.10	179.70
Free-Cooling capacity (2)	kW	83.30	85.30	111.40	113.60	117.00	151.30
Water Flow user side	l/h	15,977	18,119	20,859	22,782	26,411	30,996
Water Pressure drops user side	kPa	31	40	38	45	42	46
Compressor power input	kW	29.50	34.50	35.60	39.10	49.50	60.70
Compressor absorbed current	A	47.30	55.40	57.10	62.70	79.50	97.40
Total Power input	kW	30.50	35.50	39.00	42.50	52.90	64.00
Total Power input [UNI14511]	kW	30.90	36.10	39.60	43.10	53.60	64.80
Free-Cooling Total Power input	kW	1.60	1.80	4.20	4.30	4.40	4.40
Total Absorbed Current	A	48.90	57.00	64.70	70.30	87.00	104.60
EER		3.05	2.97	3.11	3.12	2.91	2.82
EER [UNI14511]		3.00	2.91	3.06	3.06	2.86	2.77
Available pressure head - HP Pumps (option) User side	kPa	190	177	191	180	173	267
Available pressure head - HP Pumps [AND logic] (option) User side	kPa	189	178	194	186	186	198
Maximum absorbed current (FLA) [without options]	A	77	86	96	106	120	155
Start up current (LRA) [without options]	A	246	254	220	306	371	310
Start up current with Soft Starter kit [without options]	A	184	192	146	241	288	248
Sound power level Lw (base unit)	dB(A)	76	76	80	80	80	80
Sound pressure level Lp (base unit) @ 10 m	dB(A)	45	45	49	49	49	49
Air Flow	m³/h	29,600	29,600	50,200	50,200	50,200	55,800
Number of Fans		8	8	6	6	6	6
Fan power input	kW	1.00	1.00	3.40	3.40	3.40	3.20
Fan absorbed current	A	1.60	1.60	7.60	7.60	7.60	7.20
Compressors/Circuits		2/2	2/2	4/2	4/2	4/2	4/2
Buffer tank volume (option)	l	340	340	600	600	600	600
Power Supply		400 / 3+N / 50	400 / 3+N / 50	400 / 3+N / 50	400 / 3+N / 50	400 / 3+N / 50	400 / 3+N / 50
Refrigerant		R410A	R410A	R410A	R410A	R410A	R410A
Dimensions [L x D x H]	mm	3,190 x 1,183 x 1,735	3,190 x 1,183 x 1,735	3,540 x 1,653 x 1,847	3,540 x 1,653 x 1,847	3,540 x 1,653 x 1,847	3,540 x 1,653 x 2,247
Frame Size		FC3	FC3	FC4	FC4	FC4	FC5
Weight without options	kg	1,105	1,115	1,475	1,490	1,640	1,750

(1) Cooling capacity Water 0% glycol 7-12°C OA 35°C
(2) Heating capacity Water 0% glycol 40-45°C OA 7°C 89%RH

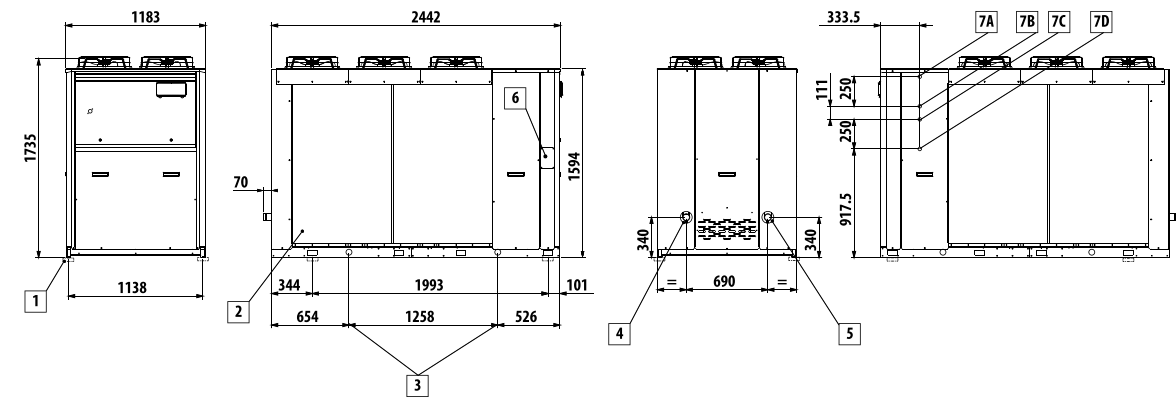
LG GC SCROLL CHILLERS TECHNICAL DATA

GCFS Z		GCFS0708ZGA	GCFS0758ZGA	GCFS0808ZGA	GCFS0908ZGA
Cooling capacity (1)	kW	225.50	256.50	256.90	300.10
Cooling capacity [UNI14511]	kW	224.60	255.60	255.90	298.90
Free-Cooling capacity (2)	kW	157.70	195.40	195.50	200.80
Water Flow user side	l/h	38,726	44,051	44,110	51,531
Water Pressure drops user side	kPa	48	37	38	51
Compressor power input	kW	82.20	86.00	86.00	113.80
Compressor absorbed current	A	131.80	137.90	137.90	182.50
Total Power input	kW	85.40	90.40	90.40	118.20
Total Power input [UNI14511]	kW	86.30	91.30	91.30	119.40
Free-Cooling Total Power input	kW	4.90	5.90	5.90	6.60
Total Absorbed Current	A	139.00	147.70	147.70	192.30
EER		2.64	2.84	2.84	2.54
EER [UNI14511]		2.60	2.80	2.80	2.50
Available pressure head - HP Pumps (option) User side	kPa	307	303	288	275
Available pressure head - HP Pumps [AND logic] (option) User side	kPa	222	222	209	198
Maximum absorbed current (FLA) [without options]	A	196	215	229	242
Start up current (LRA) [without options]	A	380	398	464	472
Start up current with Soft Starter kit [without options]	A	315	333	381	389
Sound power level Lw (base unit)	dB(A)	80	82	82	82
Sound pressure level Lp (base unit) @ 10 m	dB(A)	49	51	51	51
Air Flow	m³/h	55,800	71,900	71,900	71,900
Number of Fans		6	8	8	8
Fan power input	kW	3.20	4.40	4.40	4.40
Fan absorbed current	A	7.20	9.80	9.80	9.80
Compressors/Circuits		4/2	4/2	4/2	4/2
Buffer tank volume (option)	l	600	765	765	765
Power Supply		400 / 3+N / 50	400 / 3+N / 50	400 / 3+N / 50	400 / 3+N / 50
Refrigerant		R410A	R410A	R410A	R410A
Dimensions [L x D x H]	mm	3,540 x 1,653 x 2,247	4,296 x 1,654 x 2,330	4,296 x 1,654 x 2,330	4,296 x 1,654 x 2,330
Frame Size		FC5	FC6	FC6	FC6
Weight without options	kg	1,870	2,285	2,317	2,352

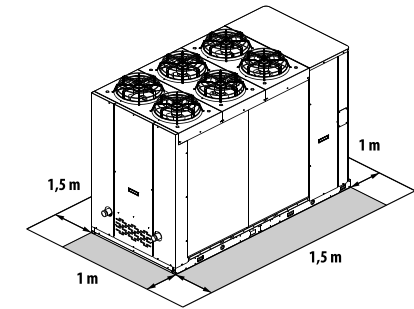
(1) Cooling capacity Water 0% glycol 7-12°C OA 35°C
 (2) Heating capacity Water 0% glycol 40-45°C OA 7°C 89%RH

FRAME 2

(Unit: mm)

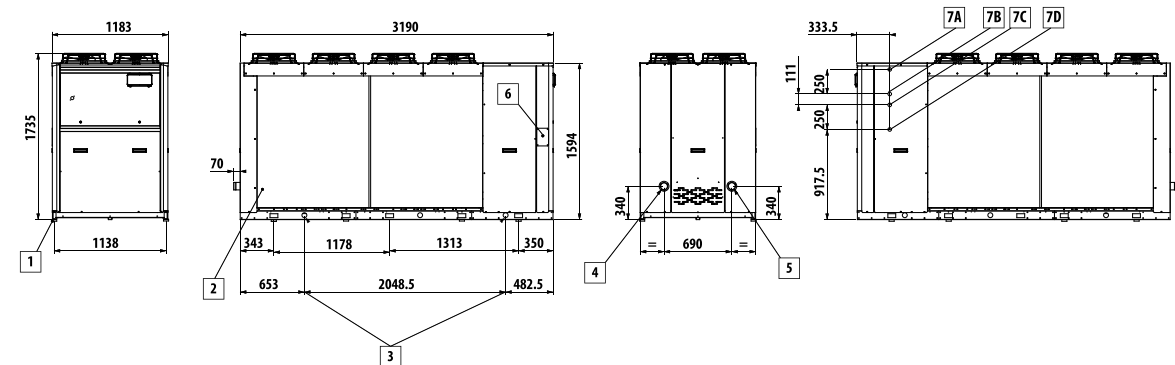


ITEM NO.	PART NAME
1	Vibration dampers
2	Protection grill (optional)
3	Lifting points
4	Water inlet (Victaulic 2")
5	Water outlet (Victaulic 2")
6	Power supply input
7A	Heat recovery water outlet (1"), left-hand circuit
7B	Heat recovery water inlet (1"), left-hand circuit
7C	Heat recovery water outlet (1"), right-hand circuit
7D	Heat recovery water inlet (1"), right-hand circuit

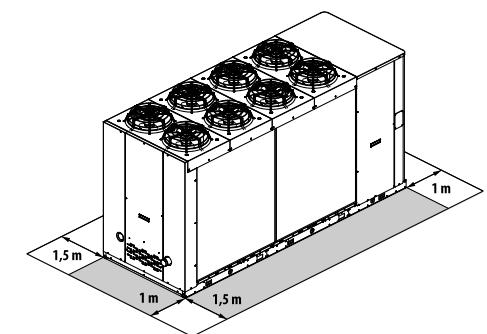


FRAME 3

(Unit: mm)

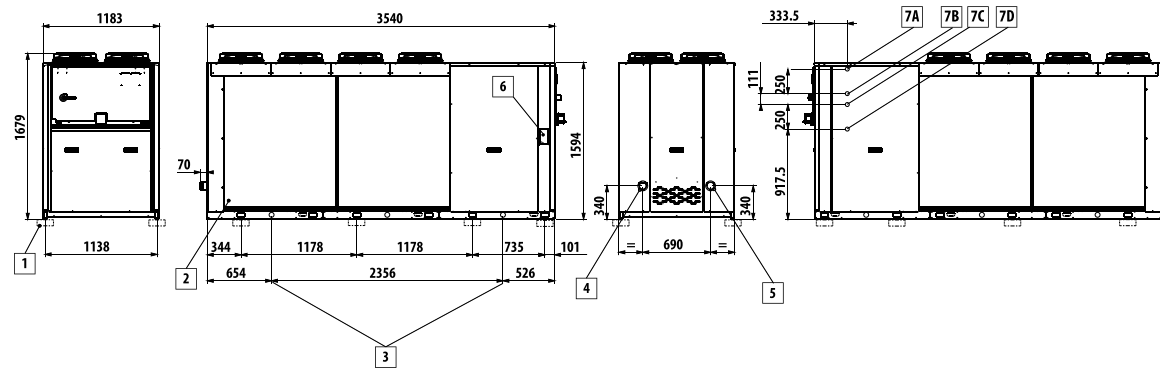


ITEM NO.	PART NAME
1	Vibration dampers
2	Protection grill (optional)
3	Lifting points
4	Water inlet (Victaulic 2")
5	Water outlet (Victaulic 2")
6	Power supply input
7A	Heat recovery water outlet (1"), left-hand circuit
7B	Heat recovery water inlet (1"), left-hand circuit
7C	Heat recovery water outlet (1"), right-hand circuit
7D	Heat recovery water inlet (1"), right-hand circuit

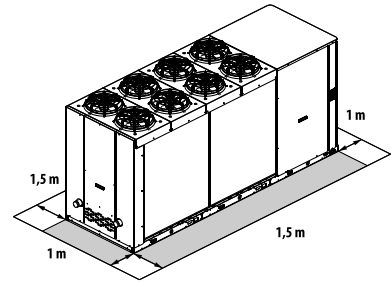


FRAME 3+

(Unit : mm)

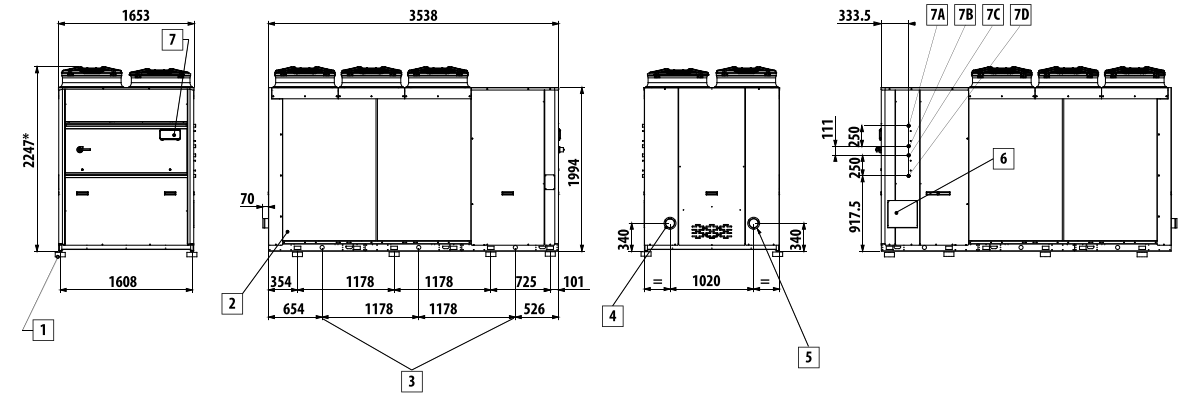


ITEM NO.	PART NAME
1	Vibration dampers
2	Protection grill (optional)
3	Lifting points
4	Water inlet (Victaulic 2")
5	Water outlet (Victaulic 2")
6	Power supply input
7A	Heat recovery water outlet (1"), left-hand circuit
7B	Heat recovery water inlet (1"), left-hand circuit
7C	Heat recovery water outlet (1"), right-hand circuit
7D	Heat recovery water inlet (1"), right-hand circuit

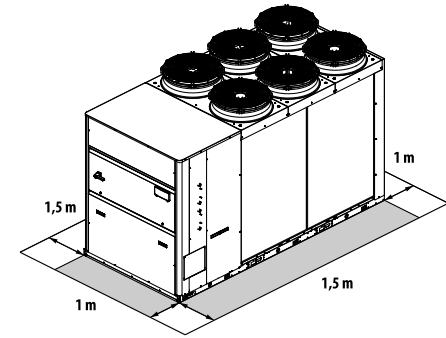


FRAME 5

(Unit : mm)

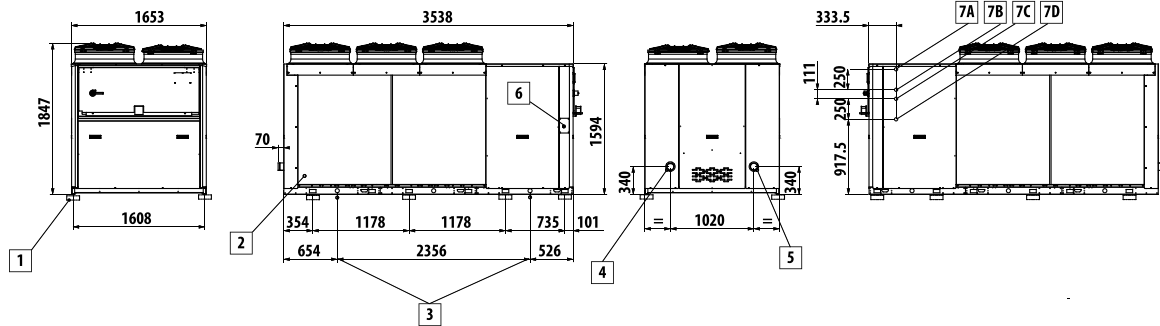


ITEM NO.	PART NAME
1	Vibration dampers
2	Protection grill (optional)
3	Lifting points
4	Water inlet (Victaulic 2")
5	Water outlet (Victaulic 2")
6	Power supply input
7A	Heat recovery water outlet (1"), left-hand circuit
7B	Heat recovery water inlet (1"), left-hand circuit
7C	Heat recovery water outlet (1"), right-hand circuit
7D	Heat recovery water inlet (1"), right-hand circuit

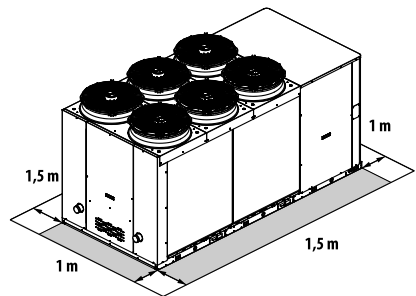


FRAME 4

(Unit : mm)

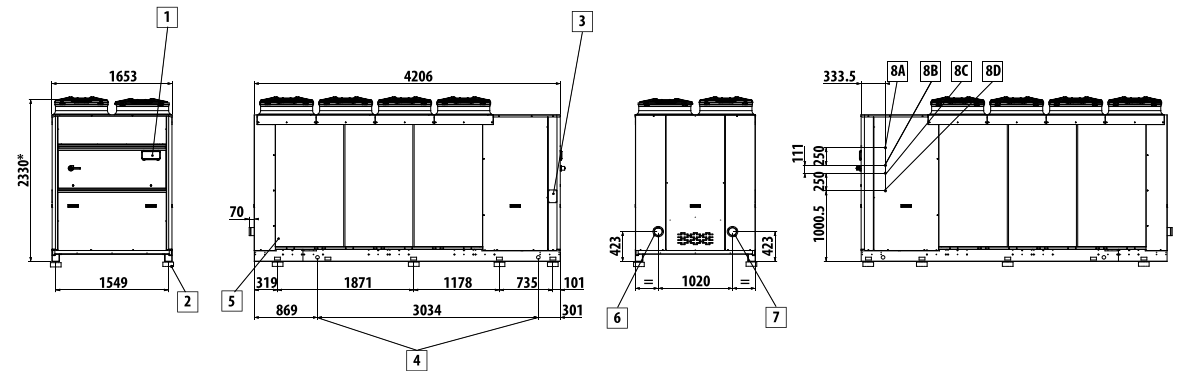


ITEM NO.	PART NAME
1	Vibration dampers
2	Protection grill (optional)
3	Lifting points
4	Water inlet (Victaulic 2")
5	Water outlet (Victaulic 2")
6	Power supply input
7A	Heat recovery water outlet (1"), left-hand circuit
7B	Heat recovery water inlet (1"), left-hand circuit
7C	Heat recovery water outlet (1"), right-hand circuit
7D	Heat recovery water inlet (1"), right-hand circuit

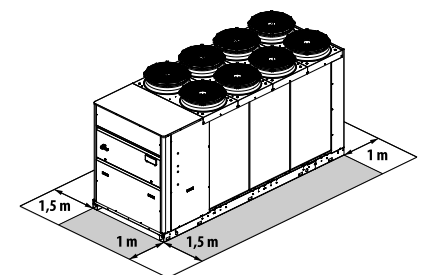


FRAME 6

(Unit : mm)

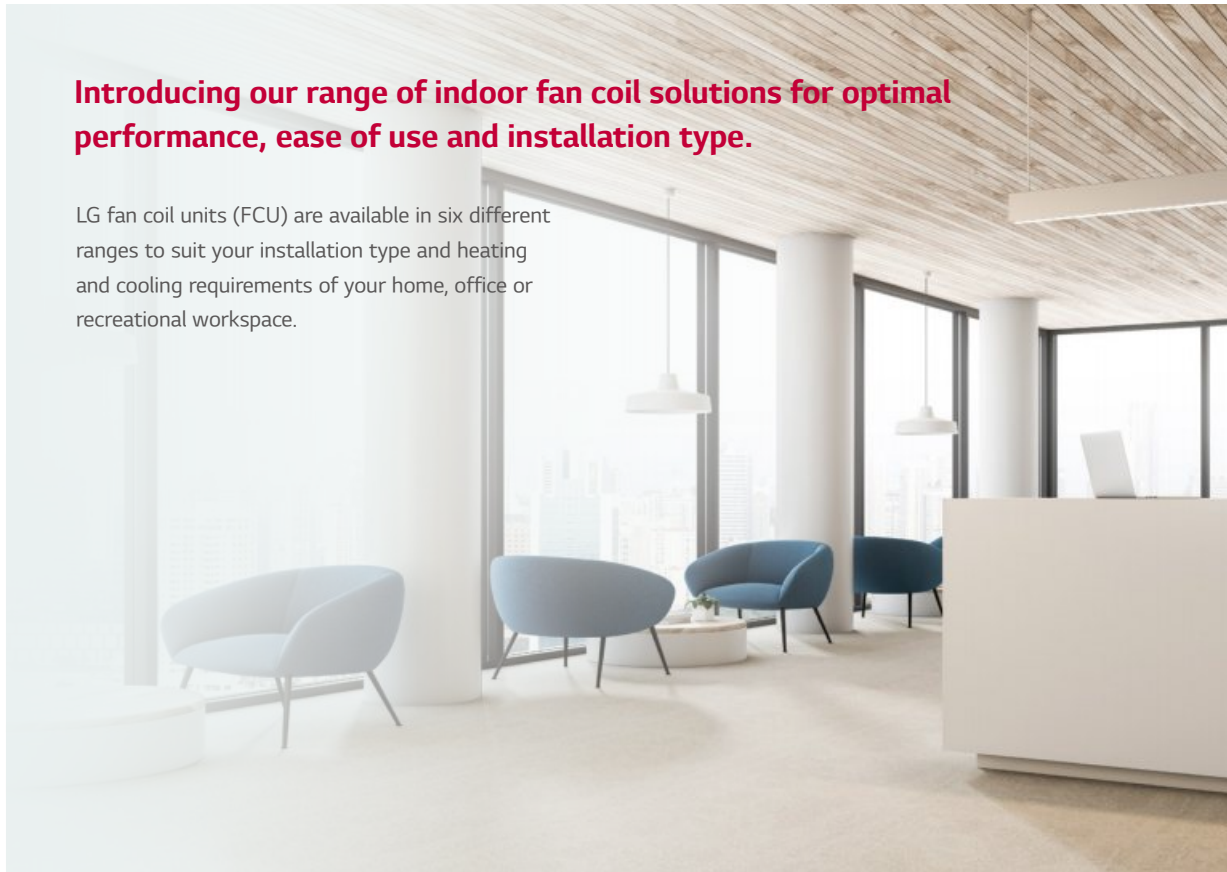


ITEM NO.	PART NAME
1	Vibration dampers
2	Protection grill (optional)
3	Lifting points
4	Water inlet (Victaulic 2")
5	Water outlet (Victaulic 2")
6	Power supply input
7A	Heat recovery water outlet (1"), left-hand circuit
7B	Heat recovery water inlet (1"), left-hand circuit
7C	Heat recovery water outlet (1"), right-hand circuit
7D	Heat recovery water inlet (1"), right-hand circuit



Introducing our range of indoor fan coil solutions for optimal performance, ease of use and installation type.

LG fan coil units (FCU) are available in six different ranges to suit your installation type and heating and cooling requirements of your home, office or recreational workspace.



VFL, VFC AND VFU MODELS

Crafted to surpass your every need

Our VFL, VFC and VFU lines use top quality materials and innovative features to ensure optimal flexibility and low operational noise output.

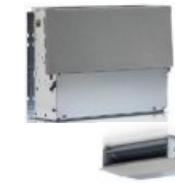
Our range has been designed to allow for a combination of vertical and horizontal installation types: with models for surface mounting on walls, floors & ceilings and recess mounting in walls or ceilings.

In its recess-mounted ductable version, the FCU line has a number of accessories that permit quick and economical installation with flexible ducts directly coupled with air diffusion grilles for maximum convenience.

VF series can be combined with a large range of on-board or wall-mounted control panels, depending on the level of performance and adjustment required.



VFL
Our in cabinet fan coil unit, suitable for wall mounting. Featuring vertical air flow, filter on the air intake securely attached to the cabinet with quarter-turn screws. The VFL range is available in 7 model variations.



VFC
Our model for vertical and horizontal recess mounting, air intake in line with the outlet, thermally insulated galvanised sheet steel body. Plenum and connectors complete the air intake and the air flow into any room. The VFC range is available in 8 model variations.



VFU
Version with cabinet, suitable for floor and ceiling mounting. The cabinet has air outlet grilles and air intake grilles with built-in filter. The VFU range is available in 5 model variations.

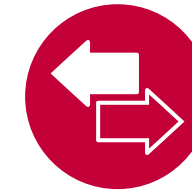
VFL, VFC AND VFU MODELS MAIN COMPONENTS



Cabinet
Composed of a painted steel sheet panel, side panels, air outlet grille (swinging by 180°) and back suction grille built from ABS. Round shapes and RAL9003 colour designed to satisfy all interior decorating needs, in line with architectural requirements and aesthetics.



Construction
Premium build quality with galvanized steel housings. All units are heat and sound insulated with Class 1 self-extinguishing panels. Further, VFU and VFC versions feature double drip trays for collecting condensation and excess water.



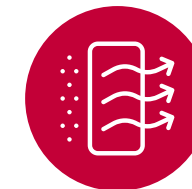
Heat Exchanger
Highly efficient heat exchanger made with copper piping and aluminium fins, fitted with brass manifolds and durable vent valve. The water connections are reversible at the time of installation. On request it is possible to mount an additional heat exchanger for 4-pipe systems.



Electric Motor
Mounted on vibration dampers, with permanently activated capacitor and thermal windings protection. Available with optimized 3 speed version for best performance, quietness, and efficient power consumption.



Fan
Double suction centrifugal fans, statically and dynamically balanced, manufactured from anti-static ABS. All blades feature an airfoil section and offset module for maximum efficiency. The fans are further housed in a low-noise ABS volute.



Air Filter
Honey-comb polypropylene washable air filter, easily removable for simple maintenance. On the VFU version the air filters are fitted onto the air inlet grille.

VFL Model



VFC Model



VFU Model



LG Fan coil units are available with or without a cabinet, and are offered with a broad choice of wall mounting options. Our models accommodate choices for floor, wall, high wall, ceiling and recess mountings.

VFY Model



Medium head ductable units, ceiling recessed installation models.

VFZ Model



High head ductable units, ceiling recessed installation models.

4 Way Cassette



Advanced design to fit into standard ceilings modules (600 x 600 mm)

The LG fan coil series can be applied to multiple water solutions:

LG GC Scroll Chiller



LG THERMA V Monobloc



LG THERMA V Split



VFL, VFC AND VFU MODELS ACCESSORIES

Control panels	
Electromechanical control panels	
On-board speed switch	
Recess wall-mounted speed switch	
On-board speed thermostat and switch	
Thermostat for minimum water temperature in heating mode (42 °C)	
Electronic microprocessor control panels with display	
MY COMFORT controller spacer for wall mounting	
Touch screen 2.8" user panel for EVO control EVO-2-TOUCH, frame in aluminium color black RAL9005	
Touch screen 2.8" user panel for EVO control EVO-2-TOUCH, frame in natural brushed aluminium	
Circuit board for EVO control	
User interface with display for EVO controller	
Device for Wi-Fi or Bluetooth communication between EVOBOARD and smartphone	
MY COMFORT on-board installation kit for VFL, VFC and VFU models	
LED503 on-board controller installation kit for VFL, VFC and VFU models	
Recessed wall-mounted electronic display controller LED 503	
MYCOMFORT BASE electronic controller with display	
Microprocessor control with display MY COMFORT LARGE	
MYCOMFORT MEDIUM electronic controller with display	
Humidity sensor for MY COMFORT (medium e large), EVO	
Water sensor for MYCOMFORT and EVO controllers	
Electronic microprocessor control panels	
On-board VFL, VFC and VFU installation kit on the right side suitable for TED controller	
On-board VFL, VFC and VFU installation kit on the left side suitable for TED controller	
Electronic controller for AC fan control and one ON/OFF 230 V valve	
Electronic controller for AC fan control and two ON/OFF 230 V valves	
Water temperature sensor for TED controls	
Accessories	
Power interface and regulating louver controllers	
On-board speed switch	Valves
Recess wall-mounted speed switch	2-way valve, ON/OFF actuator, hydraulic kit on water connection side for main heat exchanger
On-board speed thermostat and switch	2-way valve, ON/OFF actuator, 24 V power supply, hydraulic kit on water connection side for main heat exchanger
Additional heat exchanger for 4-pipe systems	
1-row additional heat exchanger for 4-pipe systems (not suitable for VFL, VFC and VFU model "M" models)	2-way valve, ON/OFF actuator, 24 V power supply, hydraulic kit on water connection side for main and additional heat exchanger
Auxiliary water drip trays, insulating shell, condensate drainage pump	2-way valve, ON/OFF actuator, 230 V power supply, hydraulic kit on water connection side for main and additional heat exchanger
Auxiliary water drip tray for horizontal installation fan coil units	2-way valve, MODULATING actuator, 24 V power supply, hydraulic kit on water connection side for main heat exchanger
Auxiliary water drip tray for vertical installation fan coil units	2-way valve, MODULATING actuator, 24 V power supply, hydraulic kit on water connection side for main and additional heat exchanger
Insulating shell for VKS valve, water connections on the left	3-way valve, ON/OFF actuator, 230 V power supply, complete hydraulic kit for additional heat exchanger
Insulating shell for VKS valve, water connections on the right	3-way valve, ON/OFF actuator, 24 V power supply, complete hydraulic kit for additional heat exchanger
Condensate drainage pump kit	3-way valve, ON/OFF actuator, 24 V power supply, hydraulic kit without holder, for additional heat exchanger
Base and enclosure elements	
Support elements for VFC	3-way valve, ON/OFF actuator, 230 V power supply, hydraulic kit without holder, for additional heat exchanger
Pair of support covering elements for VFL	3-way valve, MODULATING actuator, 24 V power supply, complete hydraulic kit for additional heat exchanger
Pair of support covering elements with front grille for VFL, VFC and VFU FL	3-way valve, MODULATING actuator, 24 V power supply, hydraulic kit without holder, for additional heat exchanger
Rear covering panels	
Rear painted panel for horizontal installation with cabinet	3-way valve, MODULATING actuator, 24 V power supply, hydraulic kit without holder, for additional heat exchanger
Rear painted panel for vertical installation with cabinet	3-way valve, MODULATING actuator, 24 V power supply, complete hydraulic kit for main heat exchanger
Electrical heating elements	
Heating element with installation kit, relay box and safety devices	3-way valve, MODULATING actuator, 24 V power supply, hydraulic kit without holder, for additional heat exchanger
Air inlet and outlet grilles	
Aluminium external air intake grille with subframe	3-way valve, MODULATING actuator, 24 V power supply, complete hydraulic kit for main heat exchanger
Aluminium external air intake grille with subframe and air filter	3-way valve, MODULATING actuator, 24 V power supply, hydraulic kit without holder, for main heat exchanger
Aluminium air outlet grille with 2-row fins and subframe	3-way valve, ON/OFF actuator, 1230 V power supply, complete hydraulic kit for main heat exchanger
Plenum with circular collars for air outlet grille	3-way valve, ON/OFF actuator, 24 V power supply, complete hydraulic kit for main heat exchanger
Plenum and connectors	
Angular inlet connector	3-way valve, ON/OFF actuator, 24 V power supply, hydraulic kit without holder, for main heat exchanger
Straight inlet connector	3-way valve, ON/OFF actuator, 1230 V power supply, complete hydraulic kit for main heat exchanger
Air inlet plenum with circular collars	3-way valve, ON/OFF actuator, 24 V power supply, complete hydraulic kit for main heat exchanger
Angular outlet connector	3-way valve, ON/OFF actuator, 24 V power supply, hydraulic kit without holder, for main heat exchanger
Angular outlet insulated connector	3-way valve, ON/OFF actuator, 24 V power supply, hydraulic kit without holder, for main heat exchanger
Straight outlet insulated connector	3-way valve, ON/OFF actuator, 230 V power supply, hydraulic kit without holder, for main heat exchanger
Air outlet plenum with circular collars	2-way valves pressure independent, ON/OFF or MODULATING actuator, 230 V or 24 V power supply, hydraulic kit, for main heat exchanger
Straight outlet connector	
External air intake louvers	
Manual external air intake louver	Sanitisation system
Motor-driven louver, with motor on the right with transformer	
Motor-driven louver, with motor on the left with transformer	
Motor driven louver, with motor on the right, with transformer	Sanitizing module JONIX for on-board installation
Motor driven louver, with motor on the left, with transformer	

VFL, VFC AND VFU MODELS RATED TECHNICAL DATA

Model VFL / VFC / VFU with AC Motor	03			05			06			08			
	min	med	max	min	med	max	min	med	max	min	med	max	
Fan speed													
Total cooling capacity (1)	kW	0.77	0.92	1.15	1.04	1.24	1.54	1.26	1.52	1.74	1.60	2.03	2.42
Sensible cooling capacity (1)	kW	0.59	0.70	0.87	0.79	0.97	1.20	0.95	1.14	1.30	1.18	1.57	1.88
Water flow (1)	l/h	132	158	197	179	213	264	216	261	299	275	348	415
Water pressure drop (1)	kPa	4	5	7	7	9	13	8	11	14	8	12	16
Heating capacity (2)	kW	1.11	1.30	1.55	1.43	1.73	2.14	1.71	2.04	2.20	2.07	2.68	3.20
Water pressure drop (2)	kPa	3	4	6	6	8	11	7	9	12	6	10	13
Heating capacity (3)	kW	1.94	2.27	2.68	2.47	2.99	3.71	2.93	3.50	3.74	3.52	4.57	5.47
Water flow (3)	l/h	171	199	235	216	263	325	257	307	329	308	401	480
Water pressure drop (3)	kPa	4	6	8	7	10	15	8	11	13	7	12	16
Air flow	m³/h	149	189	231	178	233	319	211	271	344	241	341	442
Power input	W	18	21	32	21	28	37	25	36	53	29	44	57
Sound power level (4)	dB/A	30	32	40	37	42	47	38	44	49	35	43	48
Additional coil heating capacity DF (3)	kW	1.35	1.50	1.70	1.50	1.70	1.90	1.56	1.78	2.02	2.06	2.53	2.92
Water flow (3)	l/h	118	132	149	132	149	167	137	156	177	181	222	257
Water pressure drop (3)	kPa	3	4	4	4	5	6	5	7	8	2	3	4

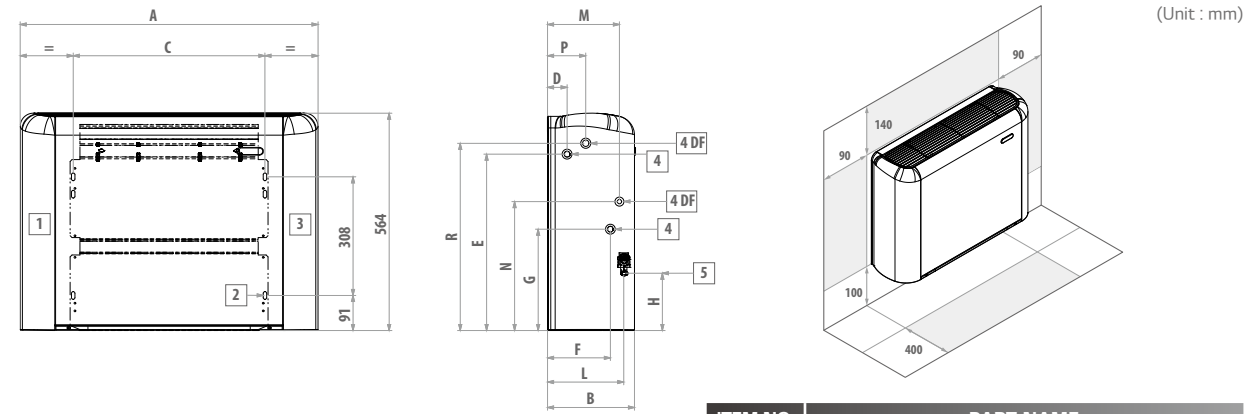
Model VFL / VFC / VFU with AC Motor	12			15			18			21			26			
	min	med	max	min	med	max	min	med	max	min	med	max	min	med	max	
Fan speed																
Total cooling capacity (1)	kW	1.98	2.63	3.51	3.00	3.66	4.51	3.42	4.19	5.26	3.97	5.27	6.71	4.11	6.24	8.02
Sensible cooling capacity (1)	kW	1.45	2.04	2.75	2.23	2.82	3.53	2.34	3.00	3.82	2.84	3.83	4.91	3.05	4.63	5.96
Water flow (1)	l/h	340	451	602	515	628	774	587	719	902	682	905	1,152	706	1,071	1,376
Water pressure drop (1)	kPa	4	7	12	7	10	14	9	13	19	5	8	12	6	13	20
Heating capacity (2)	kW	2.81	3.69	4.78	3.93	4.84	5.91	4.22	5.18	6.57	4.77	6.23	7.83	5.24	7.80	10.0
Water pressure drop (2)	kPa	4	6	10	6	8	12	7	10	16	4	6	10	5	11	16
Heating capacity (3)	kW	4.83	6.34	8.21	6.69	8.25	10.1	7.10	8.72	11.1	8.06	10.5	13.1	8.91	13.2	16.9
Water flow (3)	l/h	424	556	720	588	724	884	623	765	973	707	918	1,152	782	1,158	1,486
Water pressure drop (3)	kPa	5	8	13	7	10	14	8	11	17	4	6	9	6	11	17
Air flow	m³/h	320	450	640	470	605	785	488	615	814	570	771	1,011	642	1,022	1,393
Power input	W	40	50	65	50	65	90	52	73	107	86	127	182	109	169	244
Sound power level (4)	dB/A	35	43	52	43	49	56	44	51	58	47	54	61	49	60	67
Additional coil heating capacity DF (3)	kW	3.21	3.96	4.80	4.04	4.65	5.30	4.21	4.78	5.51	5.69	6.83	7.91	5.50	7.14	8.35
Water flow (3)	l/h	282	347	421	355	408	465	369	419	483	499	600	694	483	627	733
Water pressure drop (3)	kPa	10	14	20	6	8	10	9	11	14	17	23	30	14	23	30

- (1) Water temperature 7 / 12°C, air temperature D.B. 27°C, W.B. 19°C (47% relative humidity)
- (2) Inlet water temperature 50°C, water flow rate same as in cooling mode, air temperature 20°C
- (3) Water temperature 70 / 60°C, air temperature 20°C
- (4) Sound power measured according to standards ISO 3741 and ISO 3742
Power supply 230-1-50 (V-ph-Hz)

Not all the models are available in all capacities. Please see the below matrix to check availability:

Model	Capacity (kW)									
	03	05	06	08	12	15	18	21	26	
	1.1	1.5	1.7	2.4	3.5	4.4	5.2	6.5	7.8	
VFL		●	●	●	●	●	●	●		
VFC	●	●	●	●	●	●	●	●		
VFU					●	●	●	●	●	

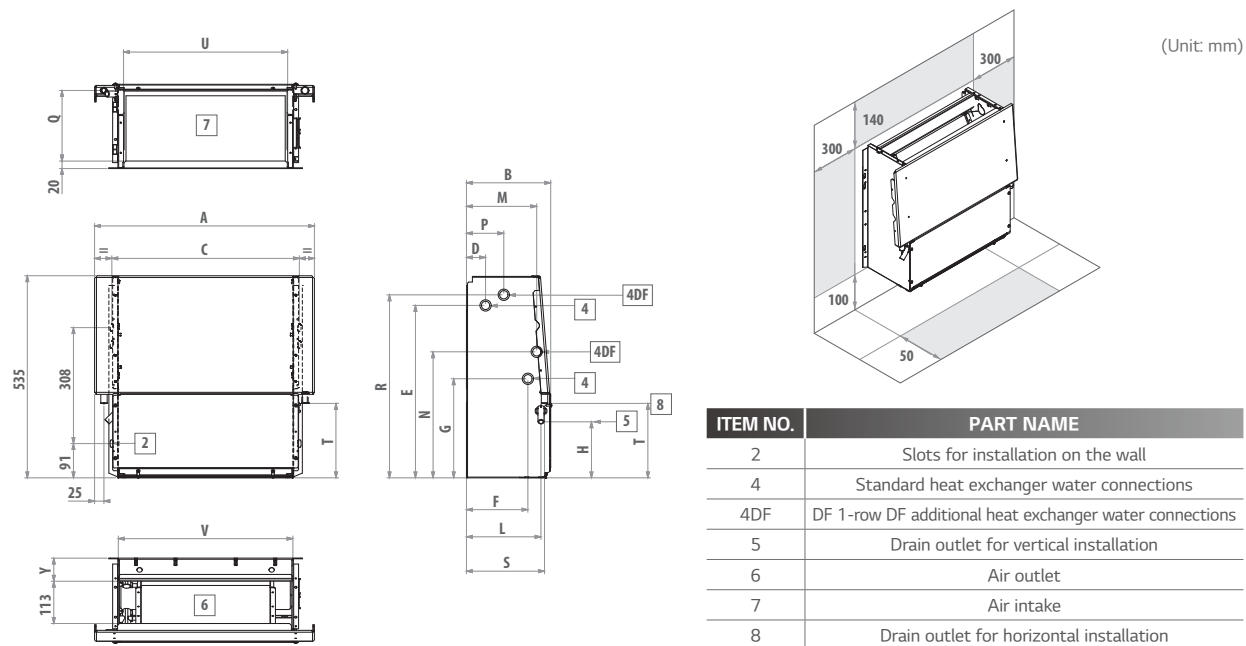
VFL MODEL DIMENSIONAL DRAWING



ITEM NO.	PART NAME
1	Usable space for plumbing connections
2	Slots for installation on the wall
3	Usable space for electrical connections
4	Standard heat exchanger water connections
4DF	DF 1-row additional heat exchanger water connections
5	Condensate drainage

Size	A	B	C	D	E	F	G	H	L	M	N	P	R	4	4DF	5	kg
05 - 06	774	226	498	51	458	163	263	149	198	187	335	99	486	1/2	1/2	16	21
08	984	226	708	51	458	163	263	149	198	187	335	99	486	1/2	1/2	16	27
12 - 15	1,194	226	918	51	458	163	263	149	198	187	335	99	486	1/2	1/2	16	33
18	1,194	251	918	48	497	185	259	155	220	195	348	120	478	3/4	1/2	16	34
21	1,404	251	1,128	48	497	185	259	155	220	195	348	120	478	3/4	1/2	16	43

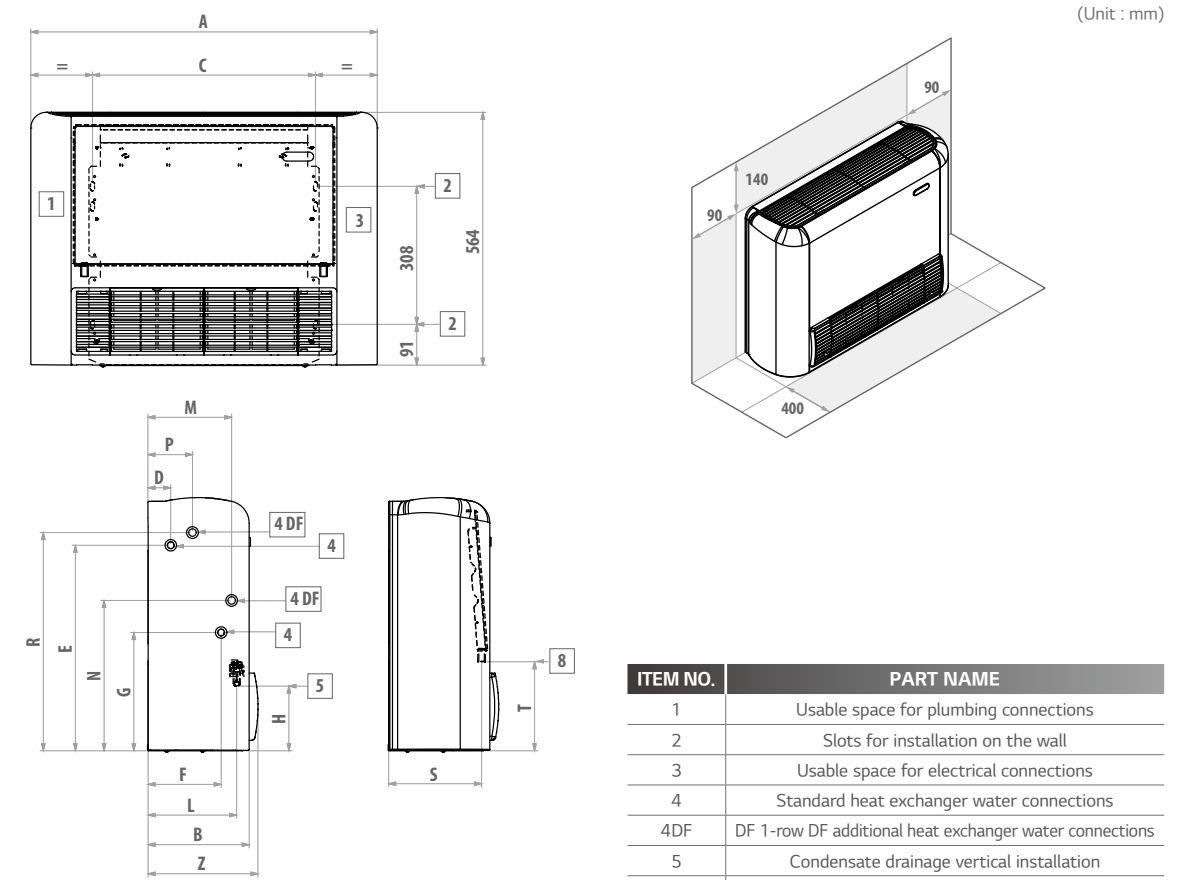
VFC MODEL DIMENSIONAL DRAWING



ITEM NO.	PART NAME
2	Slots for installation on the wall
4	Standard heat exchanger water connections
4DF	DF 1-row DF additional heat exchanger water connections
5	Drain outlet for vertical installation
6	Air outlet
7	Air intake
8	Drain outlet for horizontal installation

Size	A	B	C	D	E	F	G	H	L	M	N	P	Q	R	S	T	U	V	Y	4	4DF	5
03 - 05 - 06	584	224	498	51	458	163	263	149	198	187	335	99	189	486	208	198	436	464	61	1/2"	1/2"	16
08	794	224	708	51	458	163	263	149	198	187	335	99	189	486	208	198	646	674	61	1/2"	1/2"	16
12 - 15	1,004	224	918	51	458	163	263	149	198	187	335	99	189	486	208	198	856	884	61	1/2"	1/2"	16
18	1,004	249	918	48	497	185	259	155	220	195	348	120	215	478	234	208	856	884	67	3/4"	1/2"	16
21	1,214	249	1,128	48	497	185	259	155	220	195	348	120	215	478	234	208	1,066	1,094	67	3/4"	1/2"	16

VFU MODEL DIMENSIONAL DRAWING



ITEM NO.	PART NAME
1	Usable space for plumbing connections
2	Slots for installation on the wall
3	Usable space for electrical connections
4	Standard heat exchanger water connections
4DF	DF 1-row DF additional heat exchanger water connections
5	Condensate drainage vertical installation
8	Condensate drainage horizontal installation

Size	A	B	C	D	E	F	G	H	L	M	N	P	R	S	T	Z	4	kg
12 - 15	1,194	226	918	51	458	163	263	149	198	187	335	99	486	208	198	246	1/2	35
18	1,194	251	918	48	497	185	259	155	220	195	348	120	478	234	208	271	3/4	36
21 - 26	1,404	251	1,128	48	497	185	259	155	220	195	348	120	478	234	208	271	3/4	45

VFY MODEL MEDIUM HEAD DUCT UNITS

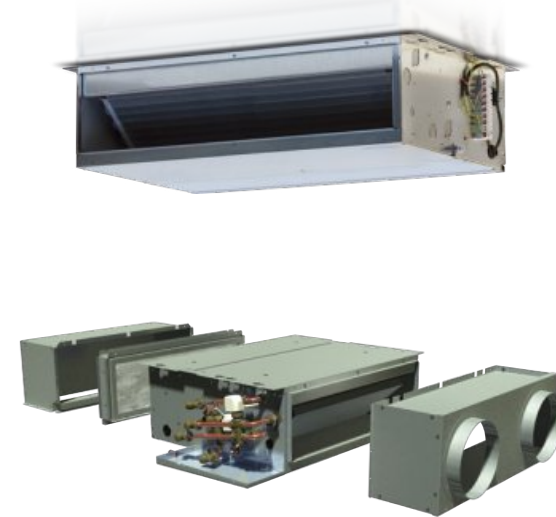
Performance and compact design for recessed ceiling installations

The VFY ducted range has been manufactured for air conditioning interiors where the installation of high performance medium head units with reduced overall dimensions is necessary. The heat exchanger enables VFY model units to be used under a whole variety of operating conditions. The weight-bearing structure houses a 3- or 4-rows exchanger which can be combined with an additional 1 or 2 rows exchanger for exceptional performance even with low temperature differentials. The heat exchangers can be optimized for centralized applications such as district cooling. VFY model units is designed for horizontal ceiling installation.

The main condensate drip tray is situated inside the structure of the unit and is at positive pressure relative to the drain outlet to facilitate condensate drainage.

A wide range of wall mounted controllers are available, including controllers of an electromechanical type and microprocessor controllers with display.

Heating elements complete with safety devices are available to supplement the hydronic system.



VFY MODEL DUCT UNITS COMPONENTS

Structure

Built from galvanized steel with heat and sound insulation through Class 1 self-extinguishing panels. Reduced height allows this unit to be mounted in a horizontal position in a false ceiling. The structure incorporates a drip tray and condensate drain outlet.

Heat exchanger

High efficiency 3 and 4 rows heat exchanger made with copper piping and aluminium fins blocked to piping by mechanical expansion provided with brass manifolds and air vent valve. The heat exchanger usually comes with water connections mounted on the left, but it can be turned by 180°C. High-efficiency heat exchangers optimized for district cooling applications are also available on request.

Electric Motor

Single-phase asynchronous multi-speed electric motor with permanently connected capacitor and thermal protector, mounted on vibration-damping supports.

Fan

Single-phase asynchronous multi-speed electric motor with permanently connected capacitor and thermal protector, mounted on vibration-damping supports.

Air Filter

Washable air filter made of acrylic fibre, filtration class G2, G3 or G4, applied on the air intake; may be pulled out from below the unit.

VFY MODEL DUCT UNITS ACCESSORIES

ACCESSORIES

Electromechanical control panels
Recess wall-mounted speed switch
Wall mounted speed selector
Thermostat for minimum water temperature in heating mode (42 °C)
Electronic microprocessor control panels with display
Finishing plate for LED 503 controller, RAL9005 black
Finishing plate for LED 503 controller, RAL7031 grey
Finishing plate for LED 503 controller, RAL9003 white
MY COMFORT controller spacer for wall mounting
2.8" touch screen user interface for EVO control
Circuit board for EVO control
User interface with display for EVO controller
Device for Wi-Fi or Bluetooth communication between EVOBOARD and smartphone
Recessed wall-mounted electronic display controller LED 503
MYCOMFORT BASE electronic controller with display
Microprocessor control with display MY COMFORT LARGE
MYCOMFORT MEDIUM electronic controller with display
Humidity sensor for MY COMFORT (medium e large), EVO
Water sensor for MYCOMFORT and EVO controllers
Electronic microprocessor control panels
Electronic controller for AC fan control and one ON/OFF 230 V valve
Electronic controller for AC fan control and two ON/OFF 230 V valves
Water temperature sensor for TED controls
Power interface and regulating louver controllers
Power interface for connecting in parallel up to 4 fan coil units to the one controller
Power interface and regulating louver controllers
Heating element with installation kit, relay box and safety devices
Air inlet and outlet grilles
Aluminium air intake grille, with frame
Aluminium air outlet grille with 2-row fins and subframe
Valves
2-way valves, ON/OFF or MODULATING actuator, 230 V or 24 V power supply, hydraulic kit, for main and additional heat exchanger
2-way valve, ON/OFF or MODULATING actuator, 230 V or 24 V power supply, hydraulic kit, for main heat exchanger
3-way valves, ON/OFF or MODULATING actuator, 230 V or 24 V power supply, hydraulic kit, for additional heat exchanger
2-way valves, ON/OFF or MODULATING actuator, 230 V or 24 V power supply, hydraulic kit, for main heat exchanger
2-way valves pressure independent. ON/OFF or MODULATING actuator, 230 V or 24 V power supply, hydraulic kit, for main heat exchanger
Plenum, air intake modules, air inlet and outlet connectors and cabinets
Air intake module with G3 air filter
Air intake module with G4 air filter
Air intake module with G4 air filter
Intake and delivery plenum, not insulated, with spigot Ø 200 mm
Intake and delivery plenum, not insulated, with spigot Ø 200 mm
Intake and delivery plenum, insulated, with spigot Ø 200 mm
90° uninsulated air inlet/outlet connector
90° uninsulated air inlet/outlet connector
Straight uninsulated air inlet/outlet connector
Straight insulated air inlet/outlet connector
Flexible ducts - caps
Not insulated flexible ducts, Ø 200 mm (6 m length indivisible)
Insulated flexible ducts, Ø 200 mm (6 m length indivisible)
Plastic cap Ø 200 mm
Air inlet and outlet plenum box
Air Inlet plenum box with double row grille
Air Inlet plenum box with double row grille 300 x 600 mm and filter G2
Insulated air outlet plenum box with grille
Accessories
Condensate drainage pump kit
Auxiliary water drip tray
Sanitisation system
Sanitizing module JONIX™ (ducted installation)
Sanitizing module JONIX™ (installation on plenum)

VFY MODEL DUCT UNITS RATED TECHNICAL DATA

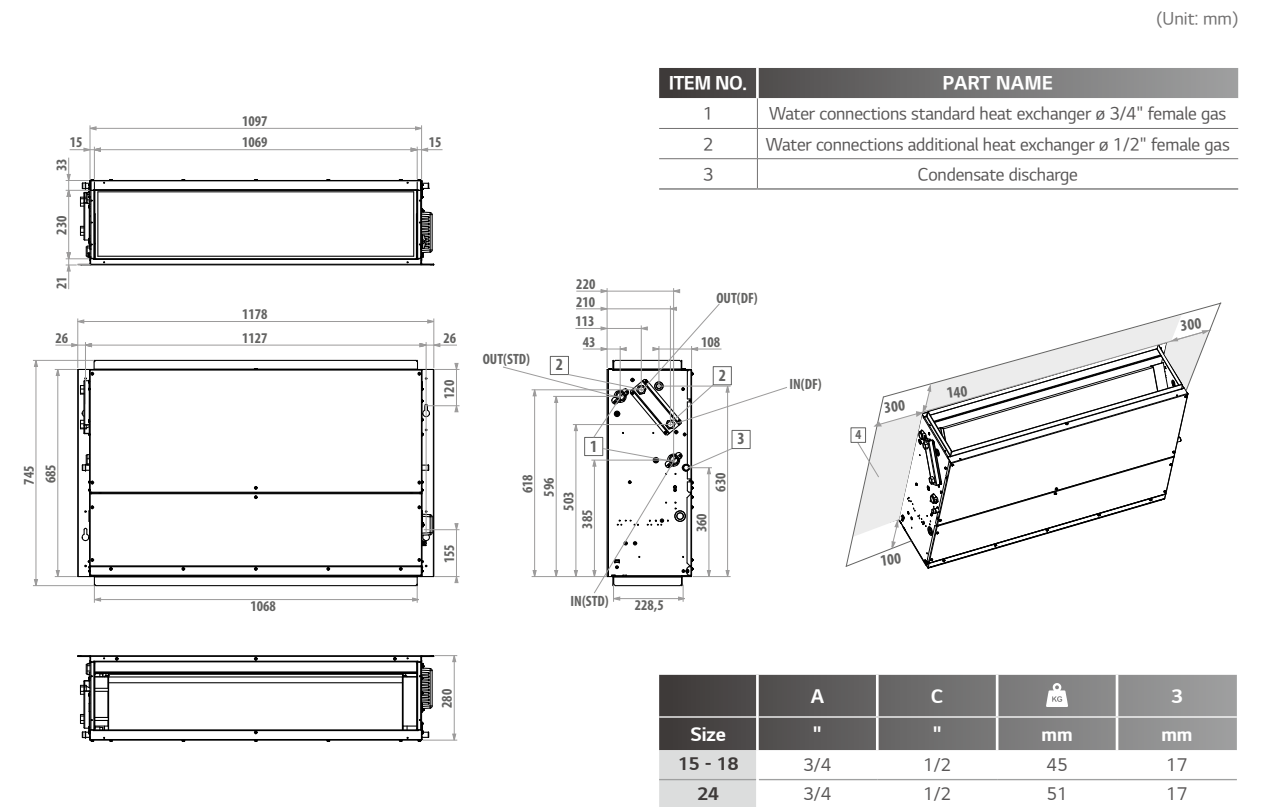
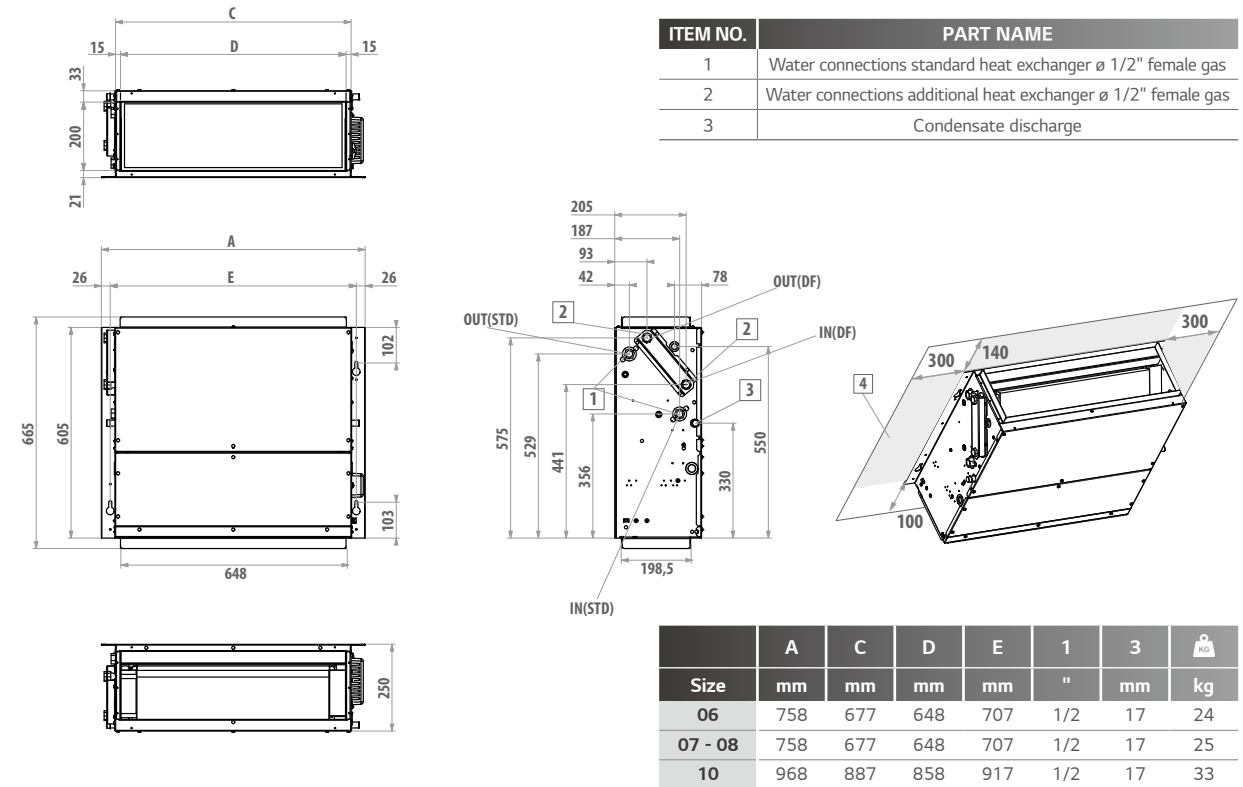
Model VFY with AC motor		06			07			08			10		
Speed		min	med	max	min	med	max	min	med	max	min	med	max
Declared speed		2,5,7			1,5,7			1,5,7			1,6,7		
Rated airflow	m ³ /h	109	246	276	171	275	341	171	275	341	195	360	402
Available static pressure	Pa	10	50	63	19	50	77	19	50	77	19	50	63
Power input	w	24	57	82	34	69	106	34	69	106	34	85	106
Total cooling capacity	(l) kW	0.92	1.72	1.90	1.27	1.90	2.27	1.36	2.11	2.53	1.57	2.69	2.96
Sensible cooling capacity	(l) kW	0.61	1.21	1.34	0.89	1.34	1.59	0.93	1.44	1.73	1.07	1.86	2.03
FCEER class		D											
Waterflow	(2) l/h	160	306	340	222	339	408	239	374	453	274	476	527
Water pressure drop	(2) kPa	2	5	6	3	6	8	4	8	12	3	7	9
Heating capacity	(3) kW	0.88	1.81	1.99	1.33	1.98	2.35	1.40	2.20	2.68	1.59	2.80	3.10
FCCOP class		D											
Water flow	(3) l/h	153	315	346	231	345	408	244	382	466	276	488	538
Water pressure drop	(3) kPa	1	4	5	2	5	7	3	7	10	2	6	8
Standard coil - number of rows		3			3			4			4		
Total sound power level	(4) dB(A)	28	49	52	39	48	54	39	48	54	39	50	54
Inlet + radiated sound power level	(4) dB(A)	26	47	50	37	46	52	37	46	52	37	48	52
Outlet sound power level	(4) dB(A)	25	46	49	36	45	51	36	45	51	36	47	51

Model VFY with AC motor		15			18			24		
Speed		min	med	max	min	med	max	min	med	max
Declared speed		1,6,7			1,6,7			5,6,7		
Rated airflow	m ³ /h	333	687	760	333	687	760	1,050	1,163	1,289
Available static pressure	Pa	12	50	61	12	50	61	40	50	60
Power input	w	76	167	192	76	167	192	235	280	332
Total cooling capacity	(l) kW	2.22	4.22	4.63	2.44	4.79	5.23	6.15	6.66	7.21
Sensible cooling capacity	(l) kW	1.60	3.09	3.39	1.70	3.33	3.64	4.51	4.88	5.29
FCEER class		D								
Waterflow	(2) l/h	394	753	828	432	850	930	1,095	1,191	1,295
Water pressure drop	(2) kPa	2	7	8	3	10	12	13	16	18
Heating capacity	(3) kW	2.54	4.76	5.17	2.63	5.03	5.49	6.68	7.22	7.80
FCCOP class		D								
Water flow	(3) l/h	442	827	898	457	875	955	1,162	1,256	1,357
Water pressure drop	(3) kPa	2	7	8	3	9	11	12	14	16
Standard coil - number of rows		3			4			3		
Total sound power level	(4) dB(A)	38	55	58	38	55	58	61	63	69
Inlet + radiated sound power level	(4) dB(A)	36	53	56	36	53	56	59	61	67
Outlet sound power level	(4) dB(A)	35	53	55	35	52	55	58	60	66

(1) Water temperature 7 / 12°C, air temperature D.B. 27°C, W.B. 19°C (47% relative humidity) according to EN1397:2015
 (2) Water temperature 7 / 12°C, air temperature D.B. 27°C, W.B. 19°C (47% relative humidity)
 (3) Water temperature 45 / 40°C, air temperature 20°C
 (4) Sound power measured according to standards ISO 3741 and ISO 3742
 Power supply 230-1-50 (V-ph-Hz)

Y MODEL DUCT UNITS DIMENSIONAL DRAWING

(Unit : mm)

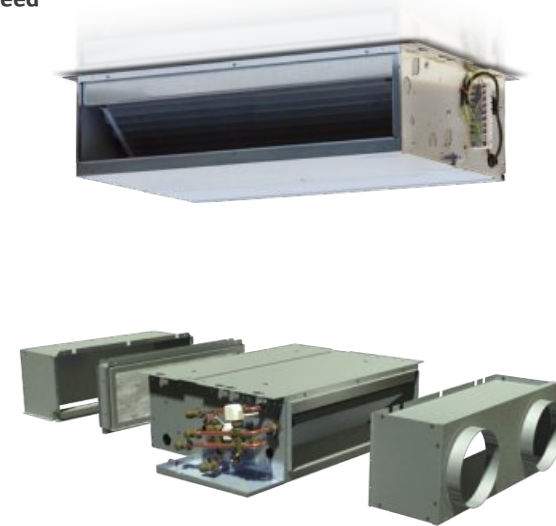


VFZ MODEL HIGH-HEAD DUCT UNITS

Flexible installation profiles to accommodate your every need

The VFZ range of thermal ventilating units has been developed for air conditioning rooms where the use of ducted hydronic indoor units capable of assuring available heads of up to 180 Pa and cooling capacities of 3 to 23 kW is required. The units are characterised by a high flexibility of installation, as they can in fact be positioned either vertically or horizontally and the orientation of the air intake in the rear or front part of the unit itself can be modified by simply moving the inspection panel. All units have a standard configuration for the intake of fresh air and slots for rapidly fixing them to the wall or ceiling.

Their reduced height (280 mm for size 24 and 350 mm for larger sizes) enables them to be accommodated in normal false ceiling and the availability of a wide range of plumbing and ventilation accessories makes it easy to integrate them into air conditioning systems. The units are available in standard and high-efficiency models, depending on the finned block exchanger used, so that they can be better adapted to the needs of the room to be air-conditioned.



VFZ MODEL MAIN COMPONENTS



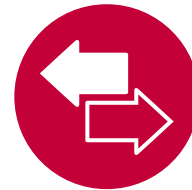
Structure

Made of galvanized sheet steel insulated with sound-deadening, heat-insulating, self-extinguishing closed-cell material to reduce noise emissions and prevent the formation of condensation the outside surface.



Condensation collection & drainage system

It consists of two insulated galvanized sheet steel trays designed for horizontal and vertical installation.



Heat exchanger

It is composed of copper tubing and aluminium fins fixed by expansion. The water connections are reversible. An additional exchanger is available for installing the unit in 4-pipe systems.



Electric motor

Three-speed electrical motor, mounted on vibration damping couplings, directly connected to the fans, with permanently activated capacitor and winding thermal protection.



Fan

The aluminium fans are of the centrifugal type, with double suction and staggered blades to reduce noise emissions. They are statically and dynamically balanced to minimize the stresses transmitted to the motor shaft.



Filter module

The air filter, made of regenerable acrylic fibre, is available as an accessory in filtration classes G2 or G4.

VFZ MODEL ACCESSORIES

ACCESSORIES	
Electromechanical control panels	Air inlet and outlet grilles
Recess wall-mounted speed switch	Aluminium air intake grille, with frame
Circuit board for connection of UTN 30-30A-40-40A to control panels.	Aluminium air outlet grille with 2-row fins and subframe
Electromechanical room thermostat with summer/winter selection	Air intake grille with subframe
Thermostat for minimum water temperature in heating mode (42 °C)	Air intake grille with subframe and filter
Wall mounted control with speed selector, thermostat and summer-winter selector	External air intake louvers
Wall mounted control with speed selector and thermostat	Motor-driven external air intake louver
Electronic microprocessor control panels with display	Valves
Finishing plate for LED 503 controller, RAL9005 black	2-way valves, ON/OFF or MODULATING actuator, 230 V or 24 V power supply, hydraulic kit, for main and additional heat exchanger
Finishing plate for LED 503 controller, RAL7031 grey	2-way valve, ON/OFF or MODULATING actuator, 230 V or 24 V power supply, hydraulic kit, for main heat exchanger
Finishing plate for LED 503 controller, RAL9003 white	3-way valves, ON/OFF or MODULATING actuator, 230 V or 24 V power supply, hydraulic kit, for additional heat exchanger
MY COMFORT controller spacer for wall mounting	2-way valves, ON/OFF or MODULATING actuator, 230 V or 24 V power supply, hydraulic kit, for main heat exchanger
2.8" touch screen user interface for EVO control	2-way valves pressure independent, ON/OFF or MODULATING actuator, 230 V or 24 V power supply, hydraulic kit, for main heat exchanger
Circuit board for EVO control	Plenum, air intake modules, air inlet and outlet connectors and cabinets
User interface with display for EVO controller	90° connection for intake/delivery
Device for Wi-Fi or Bluetooth communication between EVOBOARD and smartphone	Air intake module with G2 air filter
Recessed wall-mounted electronic display controller LED 503	Air intake module with G4 air filter
MYCOMFORT BASE electronic controller with display	Junction panel with rectangular duct
Microprocessor control with display MY COMFORT LARGE	Junction panel with flexible circular duct Ø 200
MYCOMFORT MEDIUM electronic controller with display	Flexible ducts - caps
Humidity sensor for MY COMFORT (medium e large), EVO	Not insulated flexible ducts, Ø 200 mm (6m length indivisible)
Water sensor for MYCOMFORT and EVO controllers	Insulated flexible ducts, Ø 200 mm (6m length indivisible)
Electronic microprocessor control panels	Plastic cap Ø 200 mm
Electronic controller for AC fan control and one ON/OFF 230 V valve	Air inlet and outlet plenum box
Electronic controller for AC fan control and two ON/OFF 230 V valves	Air Inlet plenum box with double row grille
Water temperature sensor for TED controls	Air Inlet plenum box with double row grille 300 x 600 mm and filter G2
Power interface and regulating louver controllers	Insulated air outlet plenum box with grille
Recess mounted controller for opening and closing the SM motor-driven regulating louver	Accessories
Power interface for connecting in parallel up to 4 fan coil units to the one controller	Hot water post-heating exchanger kit
Auxiliary water drip trays, insulating shell, condensate drainage pump	Auxiliary water drip tray for horizontal installation units
Condensate drainage pump kit	Auxiliary water drip tray for vertical installation units
Electrical heating elements	Sanitisation system
Heating element with installation kit, relay box and safety devices	Sanitizing module JONIX™ (ducted installation)
	Sanitizing module JONIX™ (installation on plenum)

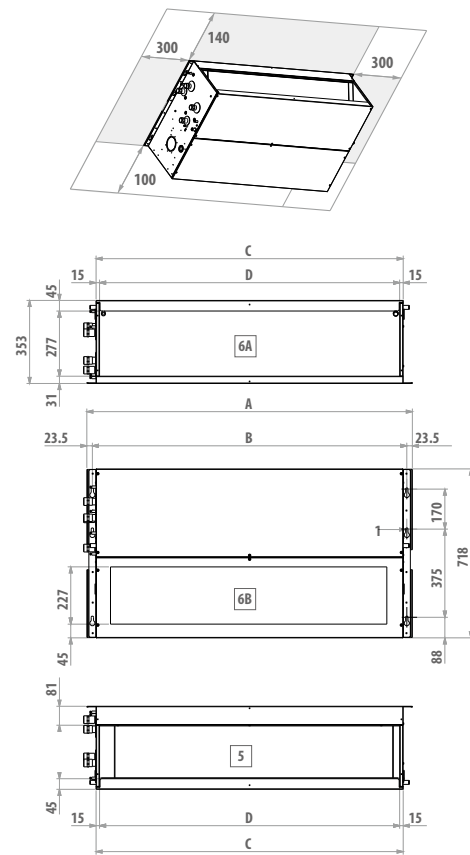
VFZ MODEL RATED TECHNICAL DATA

Model VFZ with AC motor	24			40			54			76			
	min	med	max	min	med	max	min	med	max	min	med	max	
Fan speed													
Air flow	m³/h	1,208	1,384	1,609	1,485	1,898	2,380	2,092	2,641	3,206	3,067	3,622	4,287
Available static pressure	Pa	38	50	67	30	50	78	31	50	74	36	50	71
Power input	W	290	380	505	370	535	750	870	1,090	1,300	650	820	1,150
Total cooling capacity (1)	kW	6.32	7.01	7.83	8.79	10.7	12.6	12.5	14.9	17.2	18.0	20.4	23.2
Sensible cooling capacity (1)	kW	5.14	5.77	6.55	6.73	8.28	9.98	9.48	11.5	13.5	14.0	16.1	18.6
Water flow(1)	l/h	1,085	1,202	1,344	1,509	1,827	2,163	2,145	2,561	2,953	3,082	3,505	3,979
Water pressure drop (1)	kPa	17	20	24	15	21	29	21	29	37	16	20	25
Heating capacity (2)	kW	7.74	8.52	9.46	10.8	13.0	15.3	15.2	18.1	20.8	22.4	25.4	28.7
Water pressure drop (2)	kPa	13	16	20	12	17	23	17	23	30	16	20	25
Additional coil heating capacity DF (3)	kW	8.01	8.53	9.13	12.3	14.4	16.4	16.9	19.5	21.9	21.9	24.3	27.1
Water flow (3)	l/h	703	749	801	1,080	1,260	1,441	1,481	1,711	1,925	1,918	2,132	2,379
Water pressure drop (3)	kPa	10	11	13	8	10	13	11	14	17	12	15	18
Standard coil - number of rows	n°	3			3			4			5		
Additional coil DF - number of rows	n°	1			2			2			2		
Total sound power level (4)	dB(A)	62	67	72	60	67	74	69	73	78	70	74	79
Inlet + radiated sound power level (4)	dB(A)	60	64	70	58	65	72	67	71	76	68	72	77
Outlet sound power level (4)	dB(A)	58	63	69	57	64	71	66	70	75	67	71	76

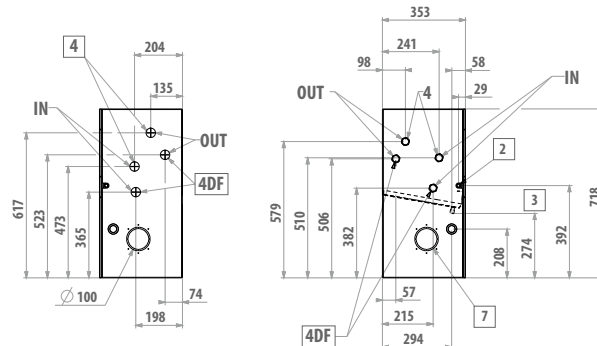
(1) Water temperature 7 / 12°C, air temperature D.B. 27°C, W.B. 19°C (47% relative humidity)
 (2) Inlet water temperature 50°C, water flow rate same as in cooling mode, air temperature 20°C
 (3) Water temperature 70 / 60°C, air temperature 20°C
 (4) Sound power measured according to standards ISO 3741 and ISO 3742
 Power supply 230-1-50 (V-ph-Hz)

VFZ MODEL DUCT UNITS DIMENSIONAL DRAWING

(Unit : mm)

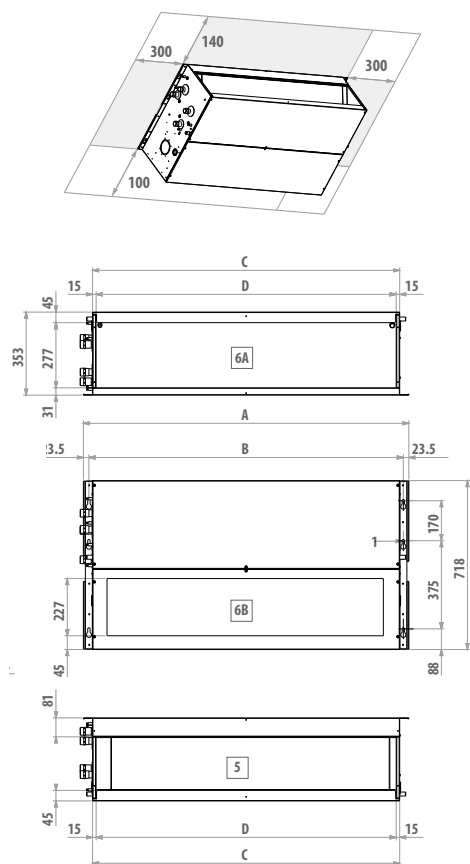


ITEM NO.	PART NAME
1	No. 6 quick-coupling slots
2	Condensate drainage horizontal installation
3	Condensate drainage vertical installation
4	Water connections on the right
4DF	Water connections additional heat exchanger
5	Air outlet
6	Air intake
6-A	supply condition
6-B	modifiable during installation
7	Circular pre-cut slot (Ø 100 mm) for intake of external air

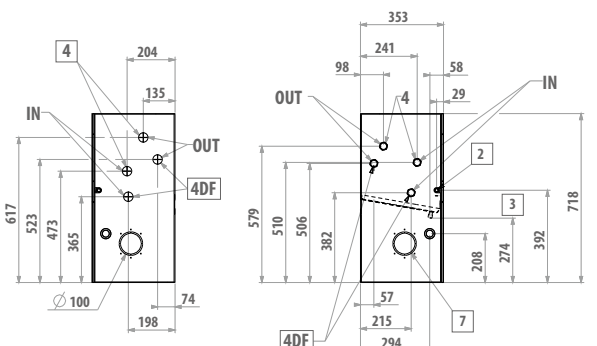


VFZ	A	B	C	D	4	4DF	2	3	kg
Size	mm	mm	mm	mm	"	"	mm	mm	
24	1,174	1,127	1,096	1,066	3/4	3/4	17	17	49

(Unit : mm)



ITEM NO.	PART NAME
1	No. 6 quick-coupling slots
2	Condensate drainage horizontal installation
3	Condensate drainage vertical installation
4	Water connections on the right
4DF	Water connections additional heat exchanger
5	Air outlet
6	Air intake
6-A	supply condition
6-B	modifiable during installation
7	Circular pre-cut slot (Ø 100 mm) for intake of external air



VFZ	A	B	C	D	2	3	4	4DF
Size	mm	mm	mm	mm	mm	mm	"	"
40	1,174	1,127	1,096	1,066	17	17	1	1
54	1,384	1,337	1,306	1,276	17	17	1	1
76	1,594	1,547	1,516	1,486	17	17	1	1

4 Way Cassette

With flexible design and convenience in mind, the 4 Way cassette comprises a comprehensive combination of technologically advanced functions to provide maximum comfort in any space.

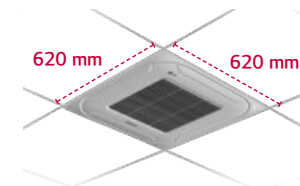


Stylish Design Panel (U-style 4 Way cassette)

New 4 Way cassette panel adapted a unibody shape and fits into the ceiling cell size.

Compact Size

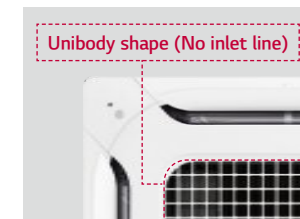
Panel size is fit into the ceiling tile.



Interior Fit



Lineless Surface



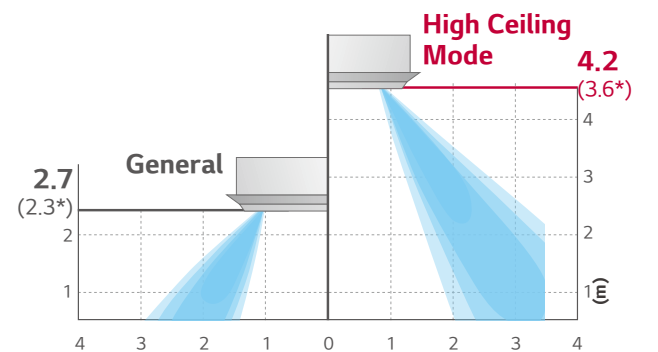
Detachable Corner



※ U-Style panel corresponds to the PT-QAGW0 panel for WF4A018 / 027 / 032 / 041CG0A models.

High Ceiling Mode

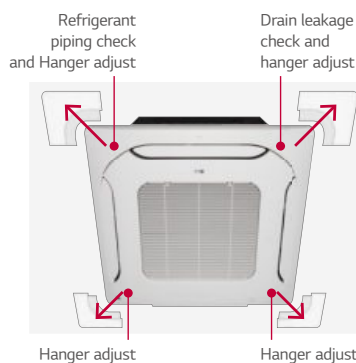
Airflow in a space with a 4.2m ceiling height is possible with this indoor unit. Furthermore, air flow can be strengthened by adjusting the fan speed.



Convenient Panel Installation

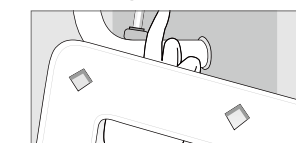
The detachable corner design makes it easy to adjust the hanger during installation and helps to easily check leakages in the drain connection pipe. Moreover, button type holder design makes it is easy to install the panel to the body.

Detachable Corner Design

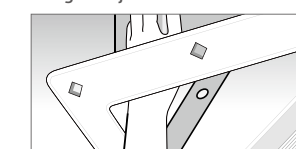


※ The detachable corner design is only applicable to the U-Style panel.

Drain Leakage Check



Hanger Adjust



One Push Panel

